

 ABLOY®



# ABLOY® DOOR PULLS

Architectural design

## IDEAS AND INNOVATIONS

### - Finnish design

The design consists of the product's look, feel, and comfort of use, and, above all, its functionality. It involves understanding of needs, innovation, and the best of traditions. We want to make everyday life smoother and more secure for you.

The ABLOY PULLS bring all kinds of styles to the living environment: modern, traditional, youthful – whatever you desire. The creative solutions in the small details give the final touch to the well-considered whole.

## Contents

Surface finishes	3
<b>ABLOY® PRESTO</b>	4
<b>ABLOY® PARLAMENT</b>	5
<b>ABLOY® ERGO</b>	6
<b>ABLOY® FORMA</b>	7
<b>ABLOY® INOXI</b>	8-9
Rod pulls	10
Knob pulls	11
<b>ABLOY® MINI HANDLE</b>	12
<b>ABLOY® EXIT</b>	13
Tips for selection and placement of the pulls	14
Installation options	15

# SURFACE FINISHES



Stainless steel (Rst)

Satin chrome (HCr)

Polished brass (Ki)

Chrome (Cr)

Silver-anodised (Aho)

Graphite  
(Gra RAL790-M)



Aluminium  
grey  
(Har RAL9006)



Black  
(Mus RAL9005)



White  
(Val RAL9010)



## Antimicrobial **ABLOY® ACTIVE**

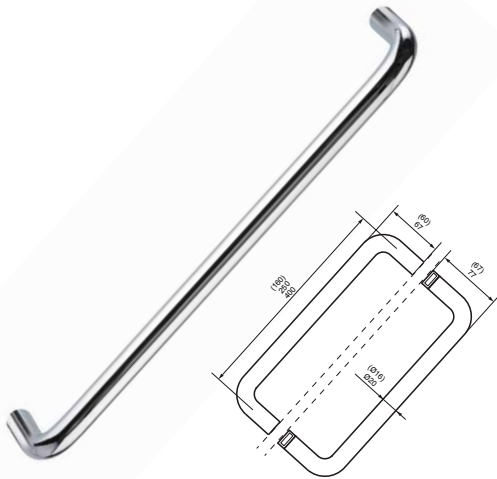
Now on all painted door pulls!

ABLOY ACTIVE kills 99% of the most common bacteria in 24 hours and is also effective in combating MRSA.

The products in this brochure are available in all RAL colour chart shades to special order.

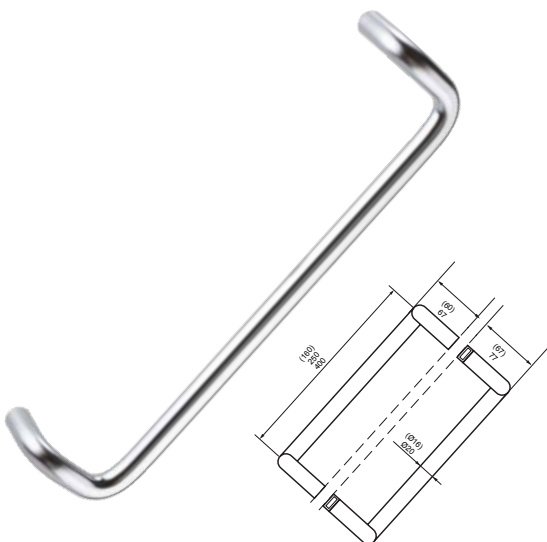
## ABLOY® PRESTO 137

Brass or aluminium pull



## ABLOY® PRESTO 138

Brass or aluminium pull



## ABLOY® PRESTO and PARLAMENT PULLS

are produced from durable brass rod material. The pulls are intended for applications that require resistance to wear, and they are well suited to public buildings and shopping centres.

The variety of installation methods and placement alternatives help to create a new look in the door environment. The collection includes very subdued models that can be used to create a harmonious feel to the site. PRESTO pulls are available in aluminium versions as well.



## ABLOY® PARLAMENT 210

Brass pull

A customized pull – length can be freely specified between 200 and 1,100 mm.



## ABLOY® PARLAMENT 216

Brass pull



## ABLOY® PARLAMENT 220

Brass pull



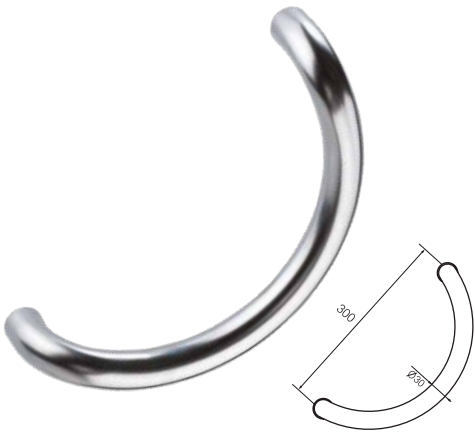
### ABLOY® PARLAMENT customized pulls

The PARLAMENT pulls can be designed for the whole width of the door or with a specific assembly. In planning of the pull, the following things must be considered:

- The basic model of the pull (refer to the special order forms for the models)
- The overall dimension of the pull
- Surface finishes for various parts
- The handing of the pull, if a pull with handing has been selected

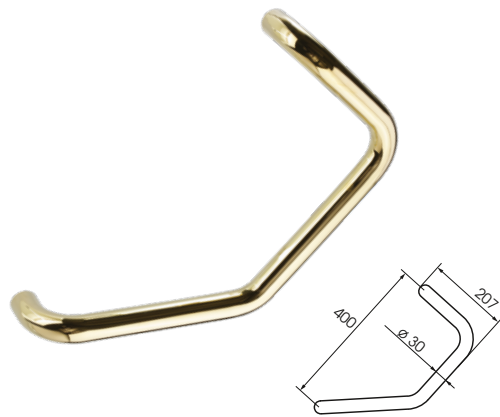
PLEASE ORDER THE CUSTOMIZED PULLS WITH ORDER FORM:  
PARLAMENT 210–220

## ABLOY® ERGO 326



## ABLOY® FORMA 340

Note!  
Handing of the pull must be specified  
when ordered as single pull.



## ABLOY® FORMA 343



# ABLOY® ERGO and FORMA PULLS

feature a bolder design that can be used to highlight carefully selected entities and to create stylish solutions. These pulls are made of durable brass. Suitable applications for pulls include office buildings and public properties.



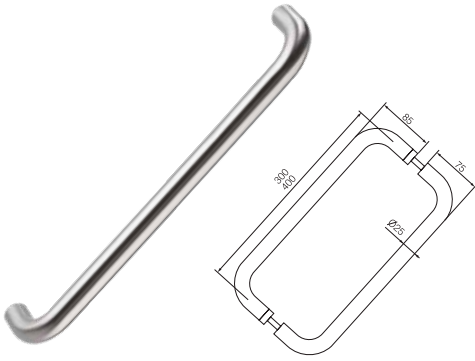


**ABLOY® INOXI pull collection's**  
clear-cut products and simplified design create a modern solution in the door  
environment. INOXI pulls are made of stainless steel. In order to maintain a  
consistent style, INOXI series offers handles for both internal and external doors.

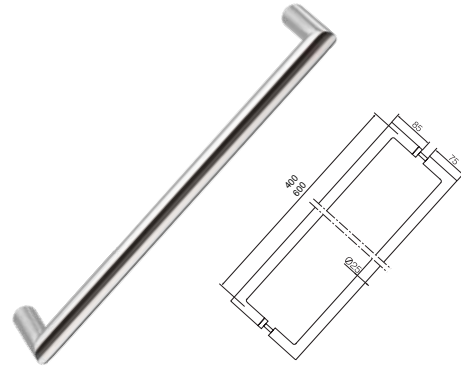




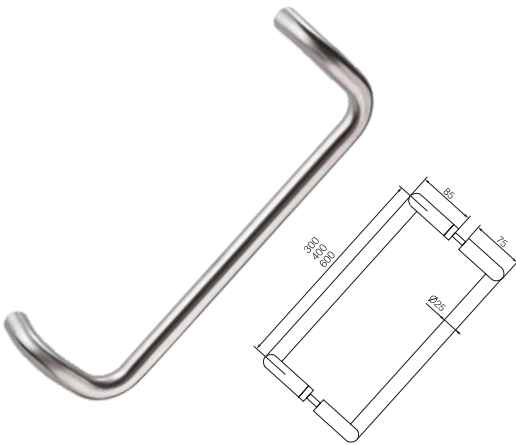
### ABLOY® INOXI 137



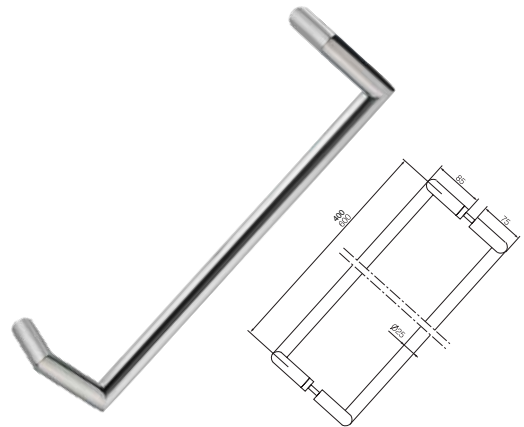
### ABLOY® INOXI 137s



### ABLOY® INOXI 138

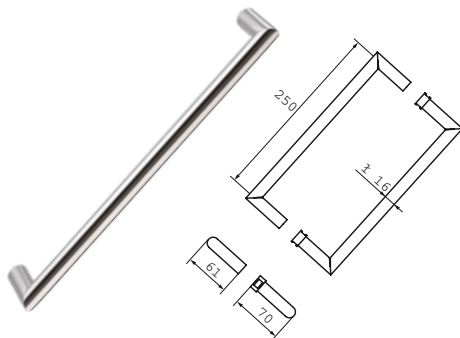


### ABLOY® INOXI 138s



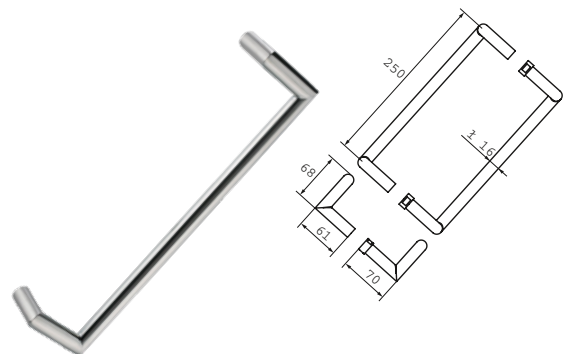
### ABLOY® INOXI DP132

Available length: 266 mm  
Stainless steel



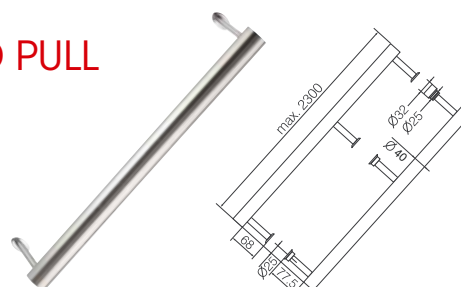
### ABLOY® INOXI DP133

Available length: 266 mm  
Stainless steel



### ABLOY® 750 CUSTOMIZED PULL

Can be dimensioned in accordance with the door, with the maximum length being 2,300 mm.

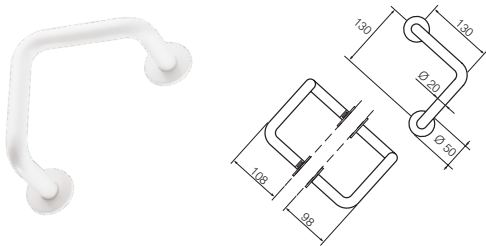


## THE ROD PULLS

### ABLOY® DP136 ELBOW PULL

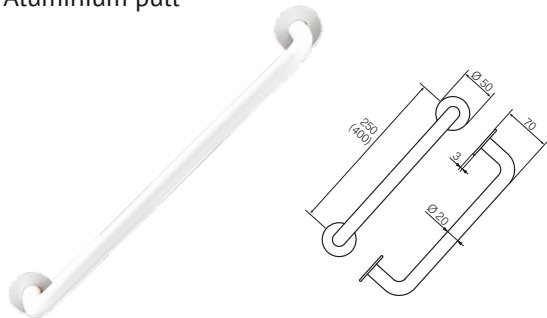
Aluminium pull

The characteristics of the elbow pull are best emphasised when it is used in hospitals.



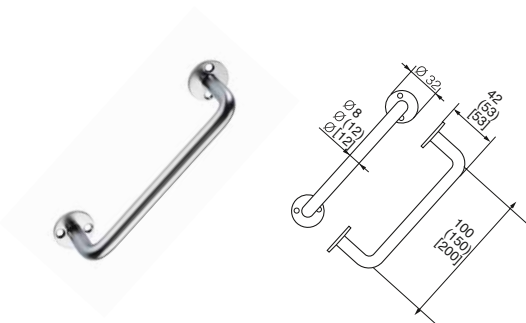
### ABLOY® DP139 SUPPORT PULL

Aluminium pull



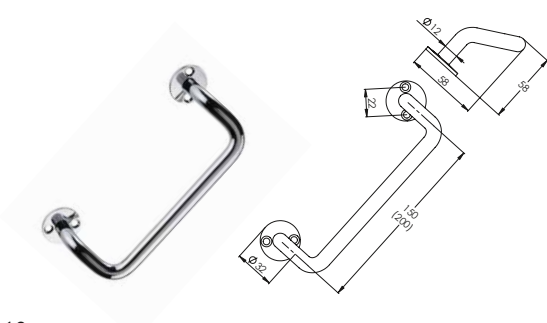
### ABLOY® DP130

Brass pull



### ABLOY® DP131

Brass pull



**THE MOST TYPICAL**  
applications for rodpulls are metallic gates and  
warehouse doors equipped with surface locks.

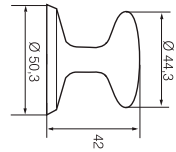


## THE KNOB PULLS

are well suited to use with regular and sliding doors. The most common applications include the staircase doors of blocks of flats and the doors of commercial premises.

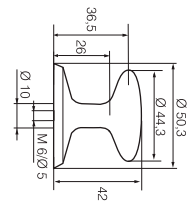
### ABLOY® DP116R

Brass pull



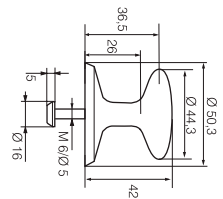
### ABLOY® DP118LK

Brass pull



### ABLOY® DP117K

Brass pull

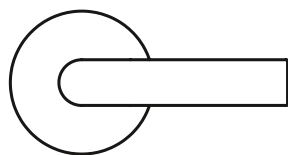
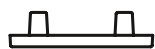
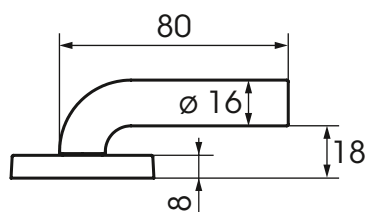


## ABLOY® 3-16XS MINI HANDLE

Designed for pull-operated lock cases, this new mini handle stands out from the collection in its size. It offers classic style and provides the designer with freedom of choice for cases in which pulls are used on both sides of the door.

The small, subdued handle, adapted from the ABLOY PRESTO collection, is at its best when you want to facilitate the opening of doors. This handle is practical in particular with pull-operated lock cases and access control. The handle material is durable brass, and its design is sufficiently subdued to highlight other elements of architecture.

Also available as a profile door handle.

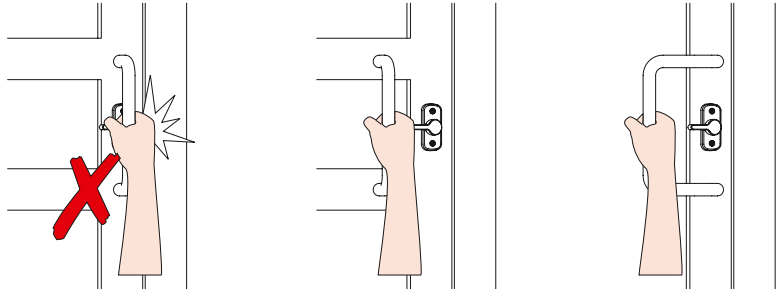




# TIPS FOR THE SELECTION AND PLACEMENT OF DOOR PULLS

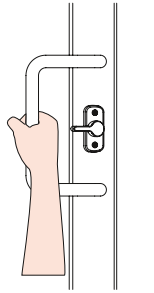
## KEEPING THE HANDS UNHARMED

The pull must be attached far enough from the door frame. This ensures that hands won't get hurt when using the door.



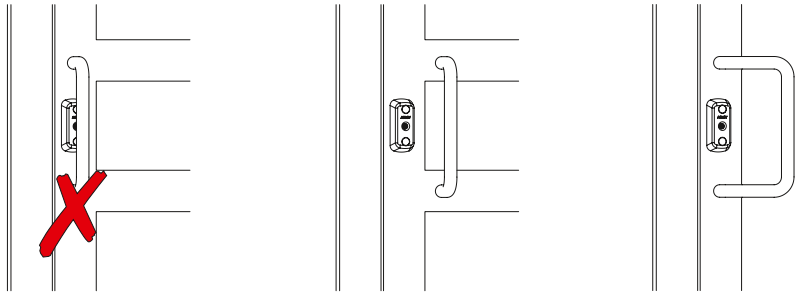
## SPECIAL REQUIREMENTS FOR MOTORISED LOCKS

The motorised locks always require a pull height of at least 400 mm. The lock case must be placed between the drillings of the pull without going through the lock. This is to ensure that the lock case does not become damaged during the installation of the pull.



## SMOOTH AND EASY KEY USE

The pull must be attached far enough from the cylinder. If sufficient distance cannot be reached with a straight pull, a bent pull should be selected for the site. This enables smooth, hassle-free use of the key cylinder.



## STYLISH PULL INSTALLATION

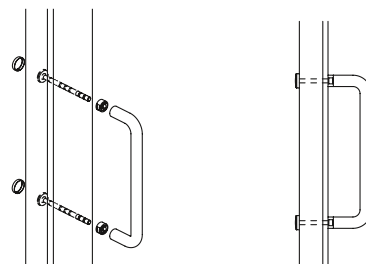
The attachment parts of a one-sided pull can be hidden with cover plates. The cover plate is always the same shade as the pull. Available for all pull thicknesses.



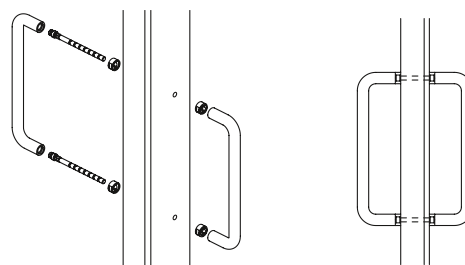
# INSTALLATION OPTIONS

Through fixing of a one-sided pull (K)

Distance of the cover plate from the door surface: 8 mm

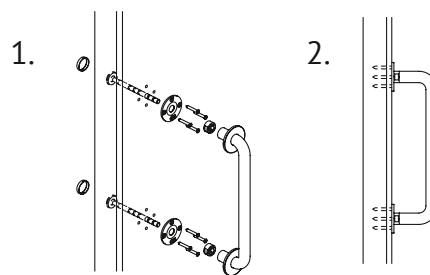


Through fixing of a pull pair (LK)

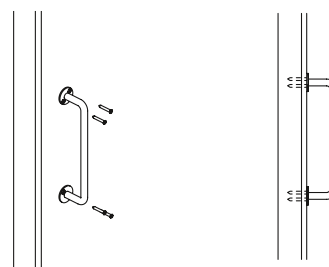


1. Through fixing of one-sided pull with support plate

2. Surface fixing of one-sided pull with support plate



Surface installation of a wire pull with a screw (R)



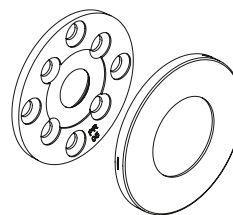
## ABLOY® SUPPORT PLATES DP039-041

Available with several surface finish options. The surface fitting of the support plate is always the same shade as the pull body when in the same delivery as the pull. An exception to this is the pulls made of stainless steel that have surface fittings with a satin finish. Recommended for use especially with wooden doors.

For DP039 20 mm pull body

For DP040 25 mm pull body

For DP041 30 mm pull body



# ABLOY® DOOR PULLS

## ARCHITECTURAL DESIGN



ABLOY secures people, property, and business operations on land, at sea, and in the air – in all circumstances.

ASSA ABLOY is the global leader in door opening solutions, dedicated to satisfying end-user needs for security, safety and convenience.

### MANUFACTURER:

**Abloy Oy**

Wahlforssinkatu 20  
P.O. Box 108

FI-80101 Joensuu | Finland  
Tel. +358 20 599 2501

[WWW.ABLOY.COM](http://WWW.ABLOY.COM)



An ASSA ABLOY Group brand **ASSA ABLOY**