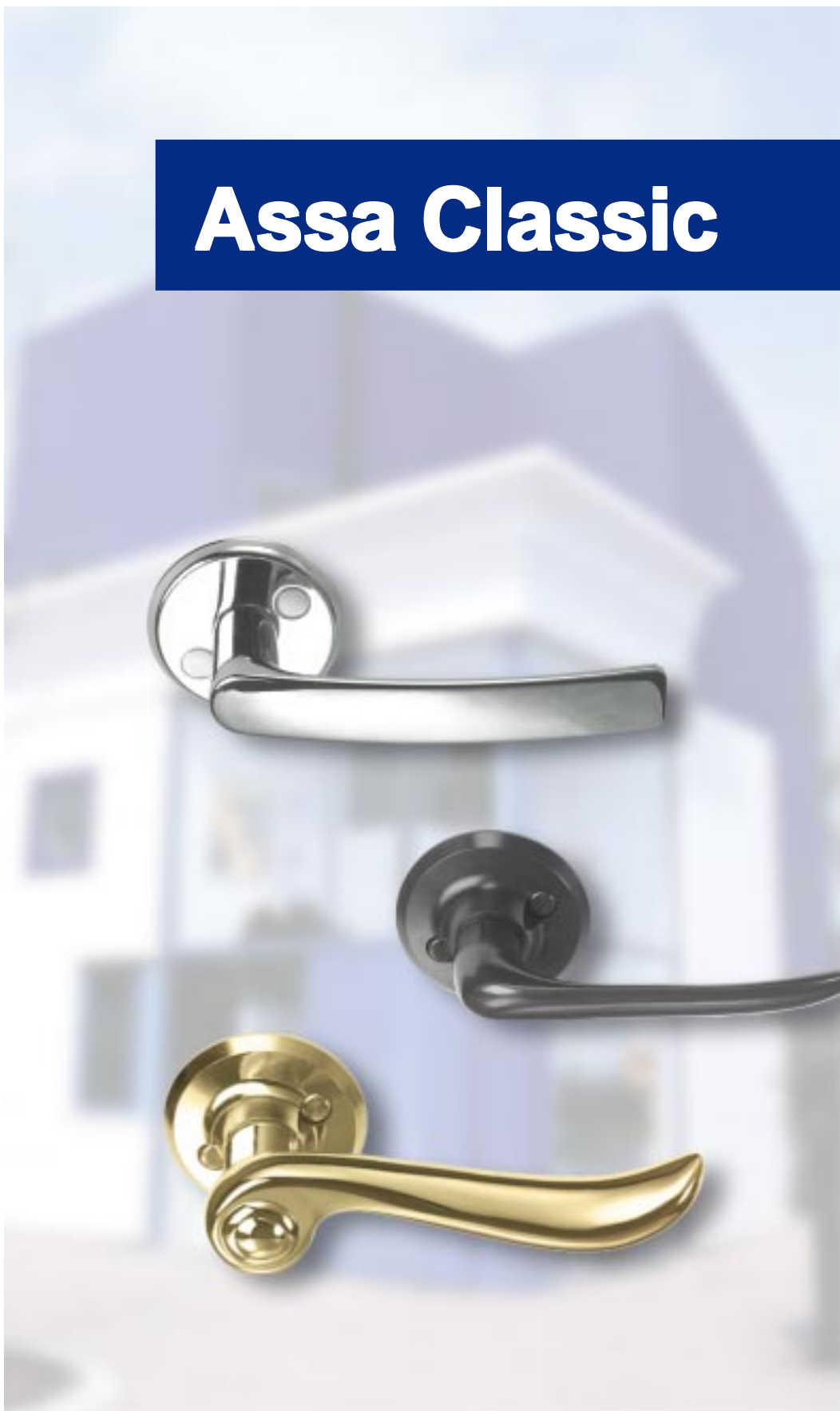


Assa Classic



ASSA[®]

An ASSA ABLOY Group company

ASSA ABLOY



Assa - The Security Company

Assa AB manufactures and develops locks and security systems for the world's public building market. New regulations and local standards require us to continuously adapt to a changing world.

Assa products are recognised by architects and end users around the world for quality, security, design and awareness of the environment.

Quality

Assa products are supplied in accordance with well-documented quality procedures. Assa is certified according to ISO 9001.

Security and Design

When your investment in technology, functionality and performance reflects the value of the protected property, you have the right security.

Environment

Our environmental commitment is based on a view where considerations are made around technical, economical and ecological effects. Assa is certified according to ISO 14001.

Content	Page
----------------	-------------

Classic Handles - unsprung Assa 640, 696, 6616	4-5
--	-----

Classic Handles - with return spring Assa 6640, 6696, 6638, 6647	6-7
--	-----

Classic Handles - for internal doors Assa 5602, 5614	8
--	---

Espagnolette Handles Assa 7802	9
--	---

Pull handles - single and double Assa 130, 131, 137, 138, 290, 29	10
---	----

Knob handles Assa 496, 167	11
--	----

High Security Cylinder Accessories Assa 3211, 3212, 3212B	12-13
---	-------

Oval Cylinder Accessories Assa 256, 18256, 2356, 2256	14-15
---	-------

Toilet Accessories Assa 265, 9265, 9265T, 9265T-1	16-17
---	-------

Accessories Parts Guide	18-22
---	-------

Finishes	23
--------------------------	----

Assa Classic Handles

Classic, Assas most known handles in their original unsprung design. Fastened with through bolt fixing to strengthen the door. Available for door thickness 40-57 mm and 58-75 mm. Assa Classic handles fit all Assa lock cases and are made of solid brass.

Available in following finishes:

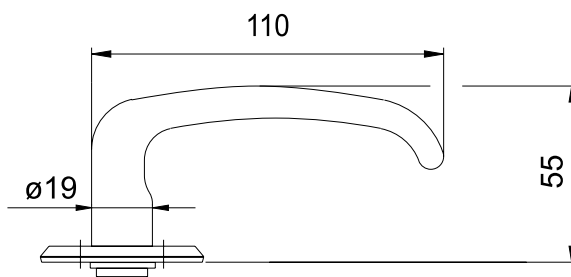
- Bright Nickel
- Bright Chrome
- Satin Chrome
- Polished Brass
- Satin Brass
- Brown Oxidised



Assa 640



Brown oxidised



Satin brass

Miralloy

Polished brass

Satin chrome

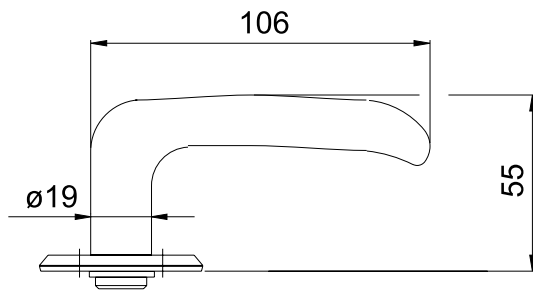
Classic Handles

- unsprung

Assa 696



Bright nickel



Brown oxidised



Polished brass

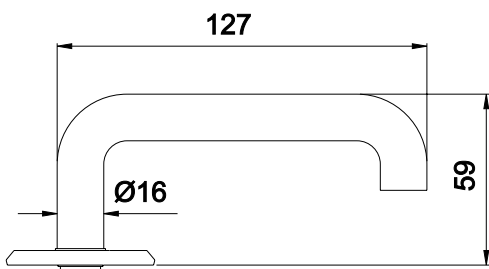


Satin chrome

Assa 6616



Polished brass



Satin chrome



Bright chrome



Brown oxidised

Assa Classic Handles

- with return spring

Assa Classic Handles equipped with return spring, which release tension in the handle follower to prevent the handles from sagging. Fastened with through bolt fixing to strengthen the door. Available for door thickness 40-57 mm and 58-75 mm.

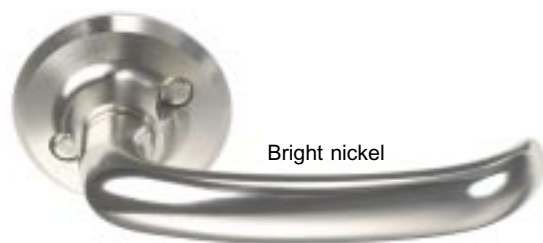
Assa handles with return spring fit all Assa lock cases and are made of solid brass.

Available in following finishes:

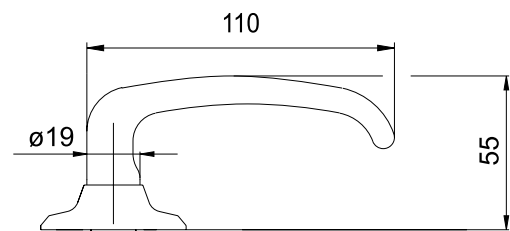
- Bright Nickel
- Bright Chrome
- Satin Chrome
- Polished Brass
- Satin Brass
- Brown Oxidised



Assa 6640



Bright nickel



Polished brass



Satin brass



Brown oxidised

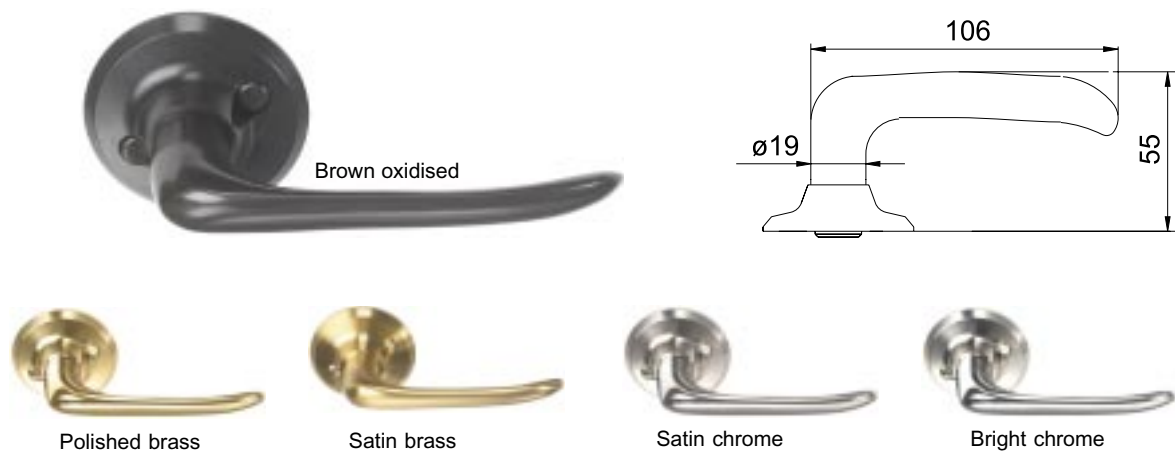


Satin chrome

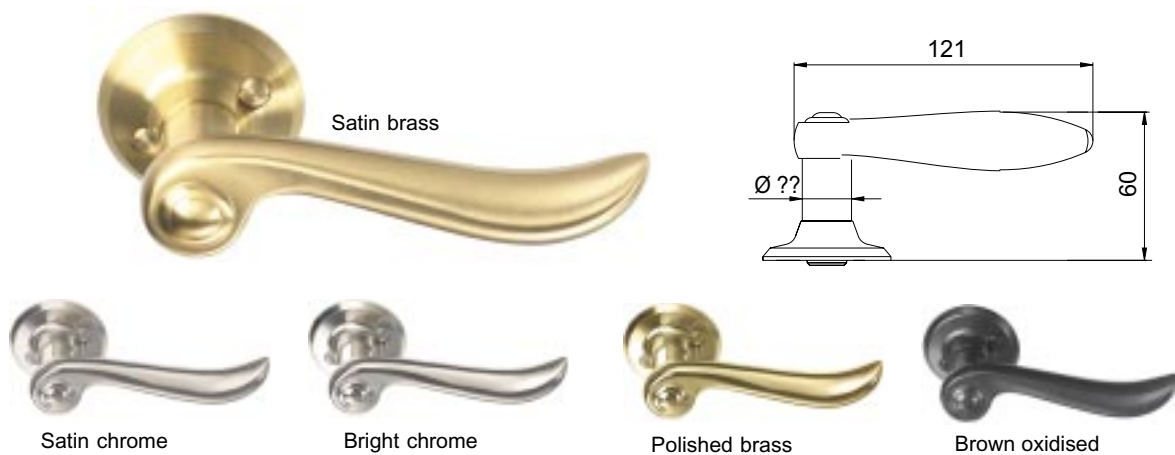
Classic Handles

- with return spring

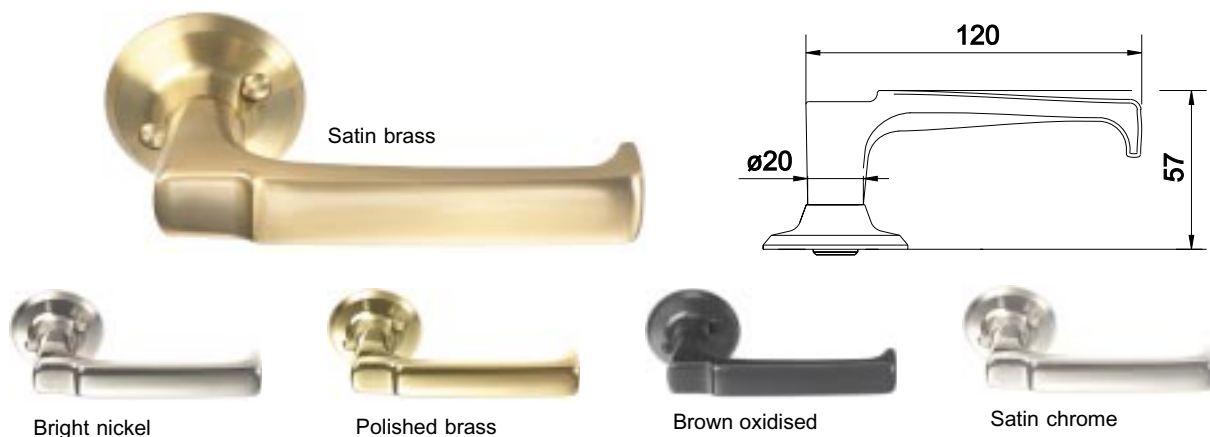
Assa 6696



Assa 6638



Assa 6647



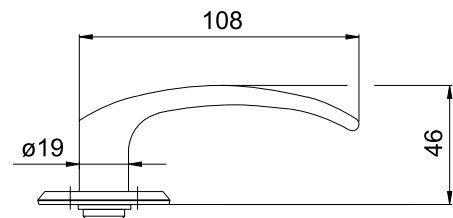
Assa Classic Handles

- for internal doors

Assa Classic Handles for internal doors. Timeless design that suits most styles without taking away the effect off the interior design. Fastened with through bolt fixing to strengthen the door. Available for door thickness 40-57 mm and 58-75 mm with replaceable square spindle for different door thickness. Made of solid brass.



Assa 5602



Bright chrome

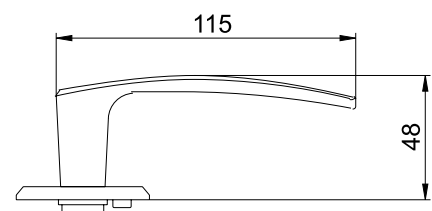
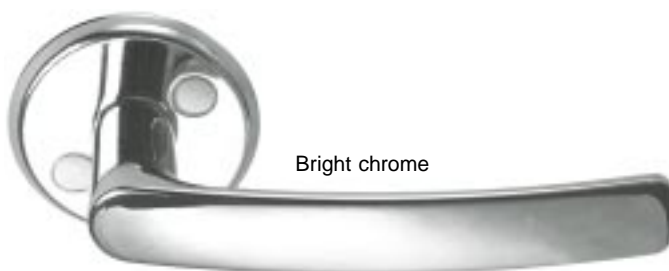


Brown oxidised



Satin chrome

Assa 5614



Made of zinc.

Espagnolette Handles

- for windows and patio doors

Assa 7802

Attractive and secure handle, providing locking solutions for windows and patio doors. More solutions available i.e. without cylinder and with handles on both side of the door.

Both lock case and handles are made of zinc. Available in bright chrome.



Left



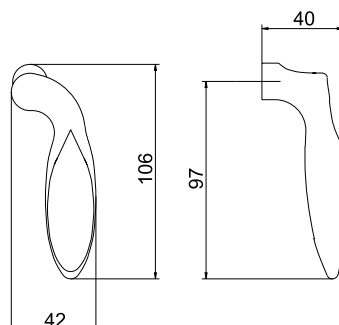
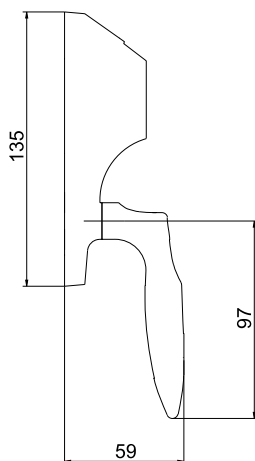
Straight



Right



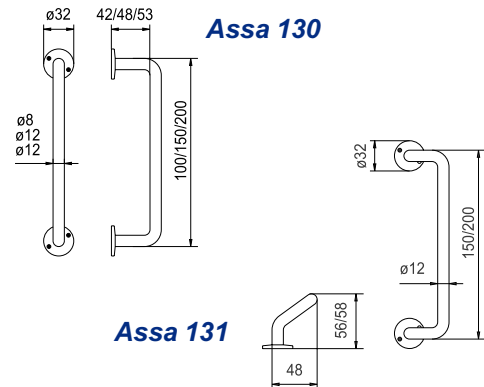
Right
(without cylinder)



Assa 130, 131



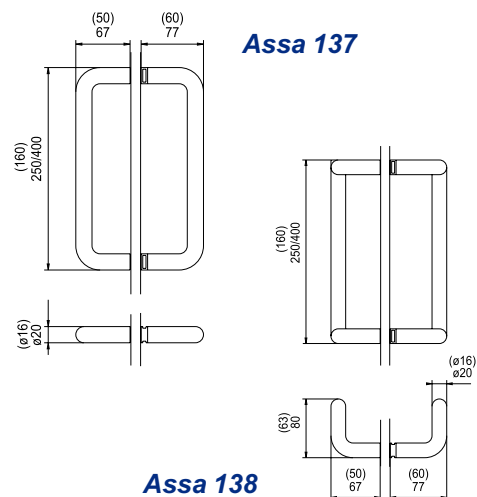
Made of pure brass and fastened by wooden screw or through going screw for 34-62 mm and 60-82 mm.



Assa 137, 138



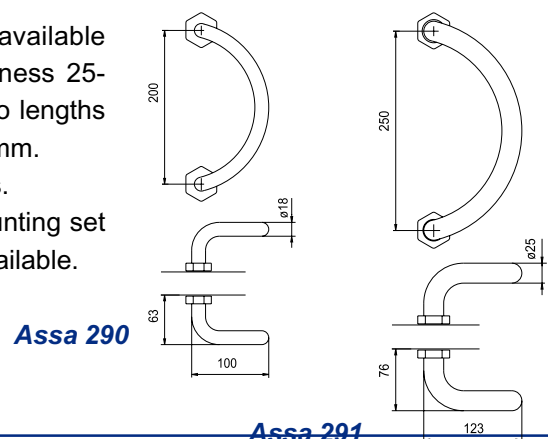
Made of brass. Available as double with through going screws or single with one way screws. Available in a variety of lengths 160, 250 and 400 mm which can be mounted on door thickness from 8 mm to 95 mm. A special mounting set for glass is available.



Assa 290, 291



Pull handles available for door thickness 25-110 mm in two lengths 200 and 250 mm. Made of brass. A special mounting set for glass is available.

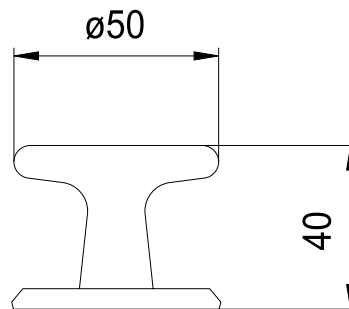


Knob Handles

Assa 496



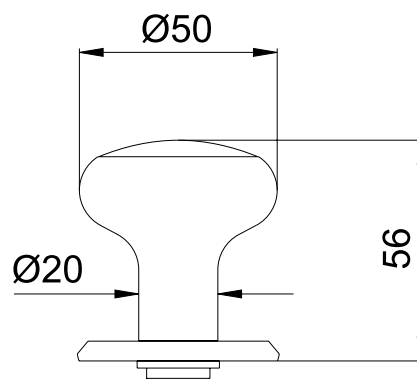
A classic door knob. Assa 496 is fixed and have no turn function. Used only as a pull handle. Made of brass with a diameter of the rose of $\varnothing 52$ mm and $\varnothing 50$ mm for the knob. Available in finish bright nickel, bright chrome, satin chrome, polished brass, satin brass, brown oxidised.



Assa 167

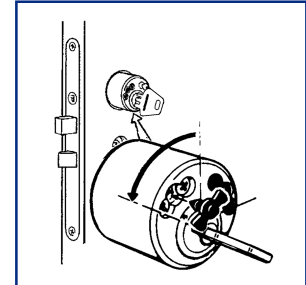


A classic door knob, with turn function. Assa 167 can operate the lock case as a normal lever handle. Made of solid brass. Available in finish bright nickel, bright chrome, satin chrome, polished brass, satin brass, brown oxidised.

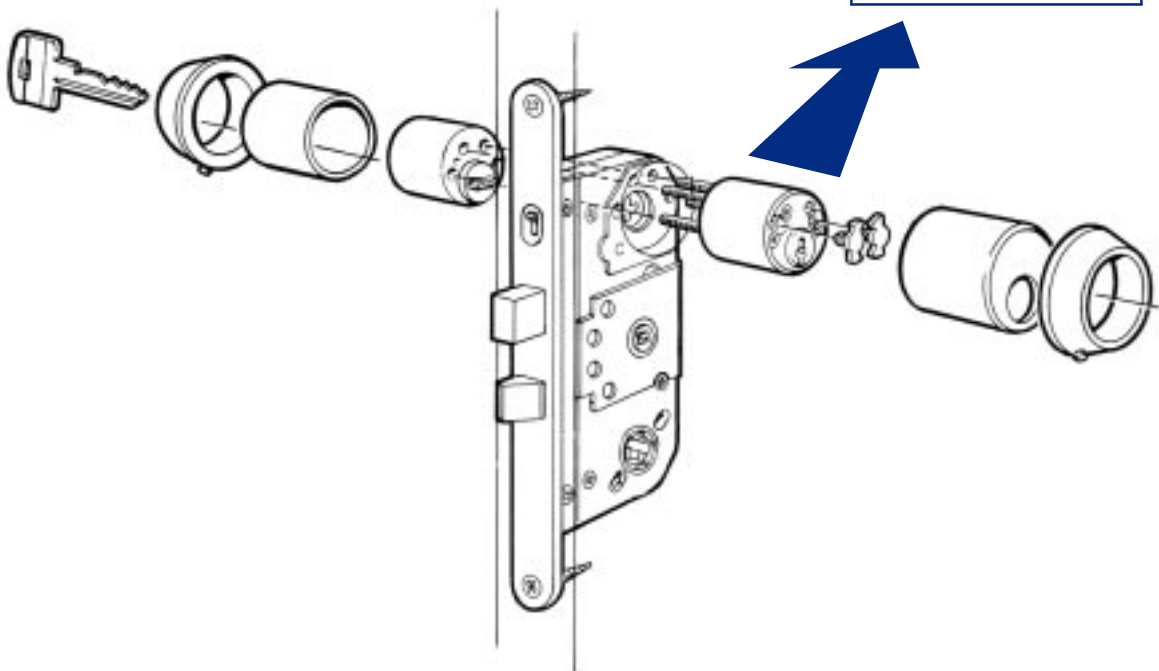


Assa High Security Cylinder Accessories

Assa High Security Range Accessory offers the highest security in terms of resistance to force. Used together with Assa Round Cylinders they are also installation friendly through a flexible modular system.



Double cylinder



Assa High Security Cylinder Accessories are based on the modular concept where individual products can be used in a variety of combinations to get the required function. All high security cylinders are fitted with through bolt fixing of 4 hardened steel screws. Cylinder accessories are available in parts or as complete sets.

All sets are available in following finishes:

- Bright Nickel
- Bright Chrome
- Satin Chrome
- Polished Brass
- Satin Brass
- Dark Brown Oxidised



Blind cylinder



Inside turn cylinder



Outside/inside cylinder cap



Outside/inside cylinder ring



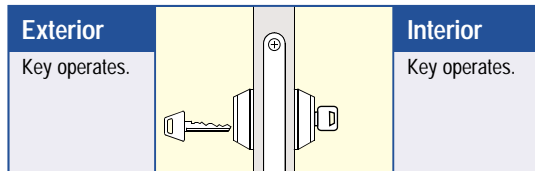
Hardened steel screws



Security screw cover

Accessories

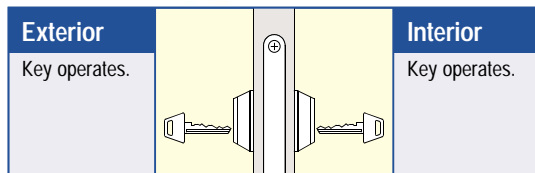
- Assa High Security Cylinders



Assa 3211

Cylinder accessory set for round single cylinder with key-turn cylinder on the inside.

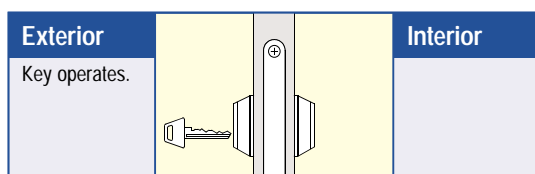
Assa 3211 cylinder accessory set consists of outside cylinder cap, outside cylinder ring, inside turn cylinder (with key turn) and inside cylinders ring.



Assa 3212

Cylinder accessory set for double round cylinders.

Assa 3212 cylinder accessory set consists of outside cylinder cap, outside cylinder ring, inside cylinder cap and inside cylinder ring.



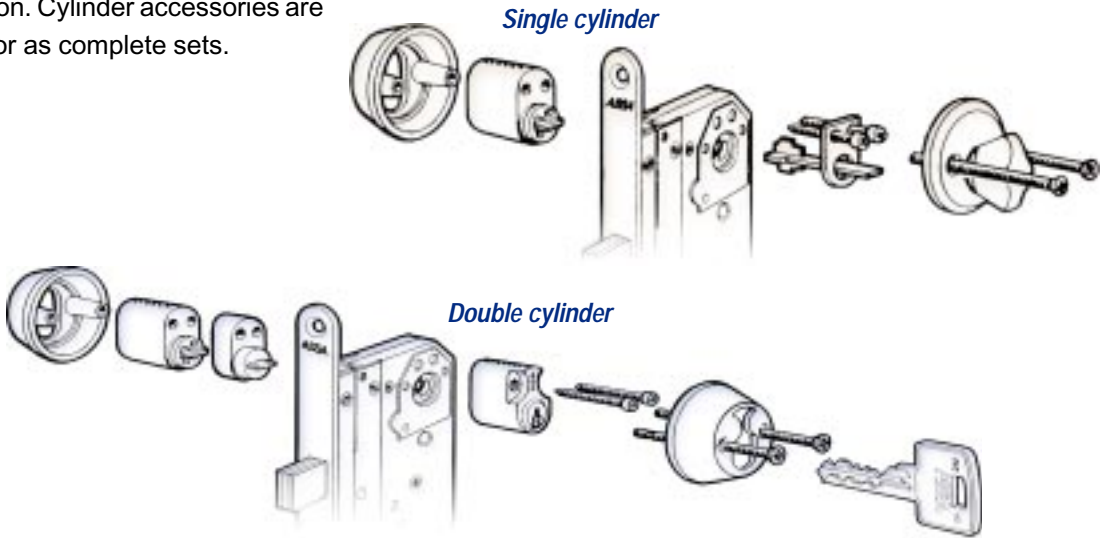
Assa 3212B

Cylinder accessory set for single round cylinder combined with drill protected blind cylinder.

Assa 3212B cylinder accessory set consists of cylinder cap, cylinder ring (outside and inside) and blind cylinder.

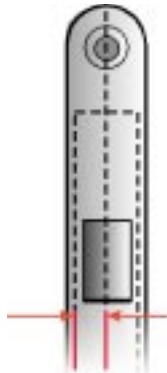
Assa Oval Cylinder Accessories

Assa Oval Cylinder Accessories are based on the modular concept where individual products can be used in a variety of combinations to get the required function. Cylinder accessories are available in parts or as complete sets.

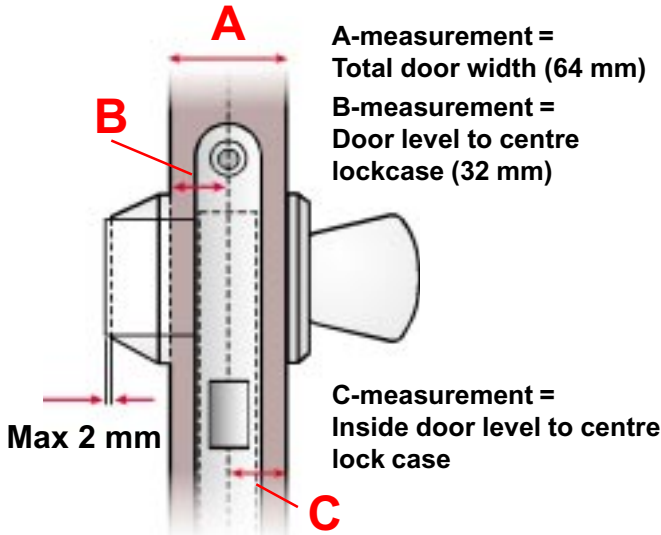


Standard cylinder rings - Calculation of ring height

Important!



Length of cylinder (31 mm) +
half of the thickness of the lockcase
(18 mm/2=9 mm) = 40 mm



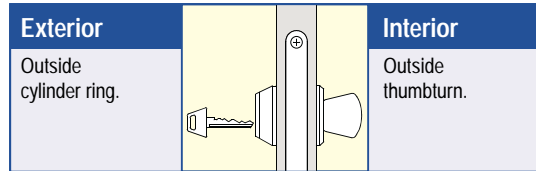
A-measurement =
Total door width (64 mm)
B-measurement =
Door level to centre
lockcase (32 mm)

C-measurement =
Inside door level to centre
lock case

Cylinder + lockcase	40 mm
B-measurement	- 32 mm
	=
Cylinder ring height	8 mm

Accessories

- Assa Oval Cylinders



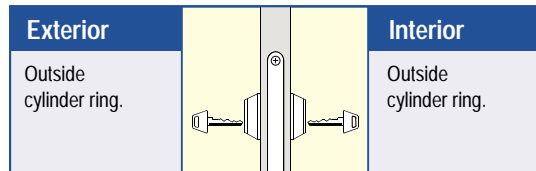
Assa 256

Cylinder accessory set for single outside cylinder and inside thumbturn.

ASSA 256 set consists of outside cylinder ring, inside thumbturn, cylinder ring screws and turn follower with cylinder screws.

Remember to specify height of cylinder ring: 11 mm, 13 mm, 16 mm, 18 mm or 21 mm to this set.

See page 12.



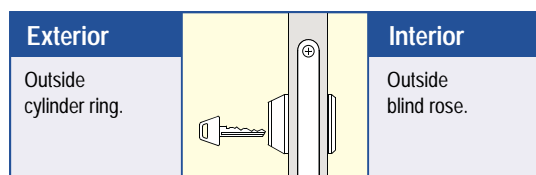
Assa 18256

Cylinder accessory set for double cylinders.

ASSA 18256 set consists of outside cylinder ring, inside cylinder ring, cylinder ring screws and cylinder screws.

Remember to specify height of cylinder ring: 11 mm, 13 mm, 16 mm, 18 mm or 21 mm to this set.

See page 12.



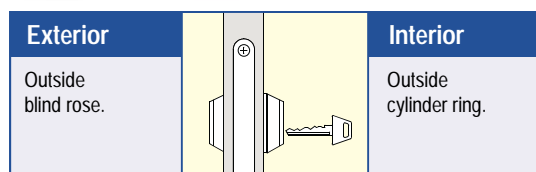
Assa 2356

Cylinder accessory set for single outside cylinder and inside blind rose.

ASSA 2356 set consists of outside cylinder ring, inside blind rose, cylinder ring screws and turn follower with cylinder screws.

Remember to specific height of cylinder ring: 11 mm, 13 mm, 16 mm, 18 mm or 21 mm to this set.

See page 12.



Assa 2256

Cylinder accessory set for single inside cylinder and outside blind rose.

ASSA 2256 set consists of outside blind rose, inside cylinder ring, cylinder ring screws and cylinder screws.

Remember to specify height of cylinder ring: 11 mm, 13 mm, 16 mm, 18 mm or 21 mm to this set.

See page 12.

Assa Toilet Accessories

Assa Toilet Accessories are available in a variety of styles to fit most applications used by disabled, children, elderly or purely design. Measure door thickness in order to get right length of screws and followers.

All sets are available in following finishes:

- Bright Nickel
- Bright Chrome
- Satin Chrome
- Polished Brass
- Satin Brass
- Dark Brown Oxidised



Thumbturn

Long grip



Outside indicator

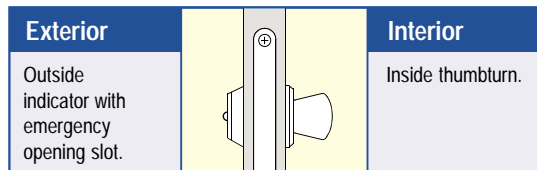
Outside indicator epok

Turn screws

Assa 265

Toilet accessory set with inside thumbturn and outside indicator with emergency opening.

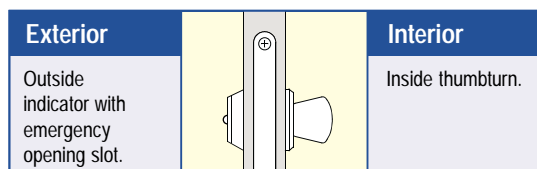
ASSA 265 set consists of outside indicator with emergency opening slot, inside thumbturn and turn screws.



Assa 9265

Toilet accessory set with long grip and outside indicator with emergency opening.

ASSA 9265 set consists of outside indicator with emergency opening slot, inside thumbturn and turn screws.



Accessories



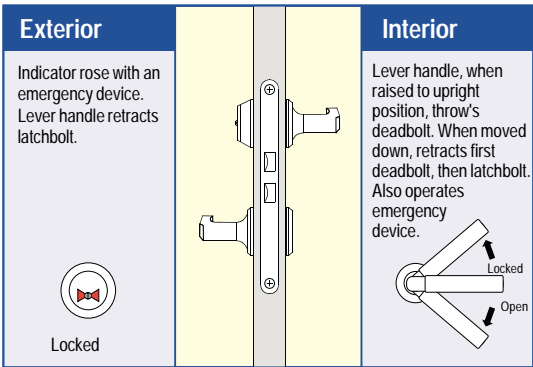
Assa 9565T

Toilet accessory set with inside lever handle and outside indicator with emergency opening.

Inside lever handle that is used for easy opening and locking by flipping up lever handle 45 degrees.

ASSA 9565T* set consists of outside indicator, inside lever handle, spindle with follower, outside lever handle, inside blind rose and lever screws.

**For 565 lockcase only, lockcase not included.*



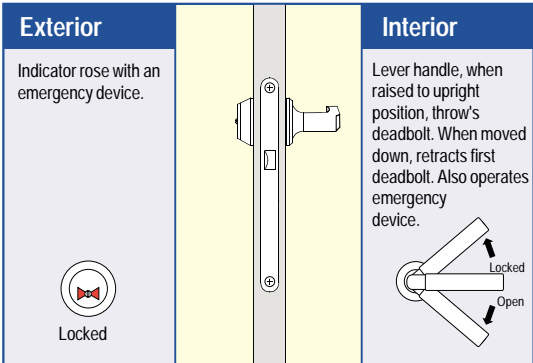
Assa 9565T-1

Toilet accessory set with inside lever handle and outside indicator with emergency opening.

Inside lever handle that is used for easy opening and also locking by flipping up lever handle 45 degrees.

ASSA 9565T-1* set consists of outside indicator, inside lever handle and spindle with follower.

**For 2588 lockcase only, lockcase not included.*



Screws & nuts

Product	Reference	Description	For use with
	Turn Screw	5M Brass Screw sizes available: 50 mm, 55 mm, 60 mm, 65 mm (Standard), 70 mm, 75 mm, 80 mm, 90 mm (Standard), 130 mm.	Accessory sets and Handles
	One way Screw	Hardened steel screw. May not be removed once fitted.	Accessory sets and Handles
	Nipple	M5 Fixing Nipple for use with Turn Screw.	Accessory sets and Handles
	Washer	Plate for fastening external cylinder.	2356
	Extension piece	Extends cylinder length for use on thicker doors. Sizes available: 8 mm, 10 mm, 12,5 mm, 18 mm.	Assa Oval shape Cylinders
	Thumbturn Follower	Turn Follower with Spindle. Spindle sizes: 43 mm (Standard), 63 mm, 83 mm.	256,9526, 4859
	Cylinder One way Screw	Hardened steel screw. May not be removed once fitted. Sizes available: 95 mm, 150 mm.	Assa Oval shape Cylinders
	Nuts	Plate for fastening Nut Plate with internal cylinder, plus nuts for screwa.	2256
	565T Turn Follower	Plastic Washer for use with 5 mm square thumbturn/indicator spindles.	565T
	Round cylinder extension	Extensionpart 10 mm. För use when extension is needed due to thicker door.	Scandinavian Round cylinder




Oval Cylinder

Product	Reference	Description	For use with
	Outside Oval Cylinder ring	Available sizes: 6 mm, 8 mm, 11 mm, 13 mm, 16 mm, 18 mm, 21 mm, 24 mm. For different door thickness - see page 12.	256, 2356, 18256, 9256
	Inside Oval Cylinder ring	Available sizes: 6 mm, 8 mm, 11 mm, 13 mm, 16 mm, 18 mm, 21 mm, 24 mm.	18356, 2256
	Outside Blind rose	In lieu of Cylinder, size: 11 mm.	2256, 4265
	Thumbturn	Regular thumbturn for use with cylinder or on toilet doors with indicator.	256
	Thumbturn for Disabled	Thumbturn with extended grip, suitable for disabled. Delivered without spindle.	9256
	Inside Blind Rose	In lieu of thumbturn with cylinder on one side when thumbturn is not desired on the other side of the door.	2356, 4265
	Key thumbturn	For use when regular thumbturn is not desired.	Oval cylinder

Round cylinder



Product	Reference	Description	For use with
	Round cylinder cup	For placing over Assa round high security cylinders, to cover fastening.	Round Cylinder
	Round cylinder ring	Decorative cylinder ring for round cylinders. Available in 8 mm and 13 mm.	Round Cylinder
	Security Key Thumbturn	For use when regular thumbturn is not desired.	Round Cylinder
	Security screw cover	Screw cover for high security screws.	Round Cylinder
	Door plates	Long plate, size: 60 mm. Long plate + Thumbturn, size: 60 mm. Long plate + Thumbturn, size: 70 mm.	Modular Locks Assa 2000 Modular Lock Assa 2000 Modular Lock
	High security screws (4 pcs)	Security screws of hardened steel available in the following lengths: 60, 70, 80, 90, and 110 mm.	Round Cylinder

Cover and decorative plates

Product	Reference	Description	For use with
	4291	Long Cover Plates, width: 70 mm.	Modular Locks 4292
	64 Plates	Long Cover Plates, width: 60 mm.	Modular Locks
	4289	Long Cover Plates, width: 70 mm.	4290, Small Case Locks
	4295-60 Long	Thumbturn + cover plate	Assa 2000 Modular Lock
	Cover plate	Used to cover door preparation when retrofitting Assa Cylinders.	Modular Accessory Sets Round Cylinders
	570 Cover plate	Long plate + Thumbturn, size: 60 mm.	Assa 2000 Modular Lock

Accessories - Parts Guide




Security plates

Product	Reference	Description	For use with
	4292 Security door plate	Security plates for secured door preparation.	Modular Locks (for use with 4291)
	4290 Security door plate	Security plates for secured door preparation.	Small Case Locks (for use with 4289)

Handle

Product	Reference	Description	For use with
	992 Blind rose (Inside)	In lieu of handle. Requires fixing nipples.	Half sets of handles.
	Blind rose (Outside)	In lieu of handle. Has two offcenter lugs or fixing screws. Size: 11 mm.	Half sets of handles.
	992 Accessory set	Pair of 992 Blind roses with screws and nipples.	Covering the door preparation in place of handles.
	Spindle	8 mm square spindle. Size: 80, 102 (standard) and 120 mm.	Lever handles
	Nipple	Fixing nipples for use with M5 screw. Size: 5 mm.	Handles and Accessory sets.
	Fixing screw	M5 Brass Screw. Standard sizes: 65 and 90 mm. Requires 5 mm nipple.	Handles and Accessory sets.
	Split Spindle	8 mm square space half spindle. Sizes: 43, 53 and 63 mm.	Lever Handle Split follower Locks.

Round cylinder sets

Product	Reference	Description	For use with
	3211	Outside: Cylinder ring and Cover cup. Inside: thumbturn.	Modular and Small case Locks
	3212	Outside: Cylinder ring and Cover cup. Inside: Cylinder ring and Cover cup.	Modular and Small case Locks
	3212B	Outside: Blind Cylinder Inside: Cylinder ring and cover cup.	Round Cylinder

Oval cylinder sets

Product	Reference	Description	For use with
	256	Inside: Thumbturn Outside: Cylinder ring. Sizes: 6, 8, 11, 13, 16, 18, 21 and 24 mm.	Modular and Small case Locks
	18 256	Inside: Cylinder ring. Outside: Cylinder ring. Sizes: 6, 8, 11, 13, 16, 18, 21 and 24 mm.	Modular and Small case Locks
	9256	Inside: Thumbturn for disabled Outside: Cylinder ring. Sizes: 6, 8, 11, 13, 16, 18, 21 and 24 mm.	Modular and Small case Locks
	2356	Inside: Blind rose. Outside: Cylinder ring. Sizes: 6, 8, 11, 13, 16, 18, 21 and 24 mm.	Modular and Small case Locks
	2256	Inside: Cylinder ring. Outside: Blind rose. Sizes: 6, 8, 11, 13, 16, 18, 21 and 24 mm.	Modular and Small case Locks

Finishes

Polished Brass - 020



Application

For bright decorative fittings used indoors.

Function

Clear lacquered surface.

Highly polished.

Complies with the requirements for contact allergies in accordance with EU-directive 76/769/EEC.

Manufacturing process

Brass material is polished and then clear lacquered.

Bright Chrome - 011



Application

For decorative fittings used outdoors and indoors and for corrosive environments.

Function

Very high corrosion protection.

Polished finish.

Complies with the requirements for contact allergies in accordance with EU-directive 76/769/EEC.

Manufacturing process

Galvanic chrome plating in accordance with ISO 1456 and ISO 1457.

Satin Brass - 021



Application

For satin decorative fittings indoors.

Function

Clear lacquered surface.

Satin finish.

Complies with the requirements for contact allergies in accordance with EU-directive 76/769/EEC.

Manufacturing process

Brass material is brushed and then clear lacquered.

Satin Chrome - 013



Application

For decorative fittings used outdoors and indoors and for corrosive environments.

Function

Very high corrosion protection.

Satin brushed finish.

Complies with the requirements for contact allergies in accordance with EU-directive 76/769/EEC.

Manufacturing process

Galvanic chrome plating in accordance with ISO 1456 and ISO 1457. Satin brushed before chrome plating.

Brown oxidised - 044



Application

For decorative brown oxidised fittings used indoors.

Function

Clear lacquered surface.

Bright oxidised finish.

Complies with the requirements for contact allergies in accordance with EU-directive 76/769/EEC.

Manufacturing process

Brass material is oxidised in chemical solution, then brushed and clear lacquered.

Bright Nickel - 002



Application

For decorative fittings used outdoors and indoors.

Function

High corrosion protection.

Polished finish.

Manufacturing process

Galvanic nickel plating in accordance with SIS 1458.



Assa AB is an ASSA ABLOY Group company. Assa AB develops, manufactures and markets locking and security systems for doors and windows.

The products are well designed, of good quality and provide high security.

The ASSA ABLOY Group is the world's leader in manufacturing and supplying locks with accessories, designed for security, evacuation and comfort.

An ASSA ABLOY Group company

ASSA ABLOY

Sweden: Assa AB, P.O. Box 371, 631 05 Eskilstuna - Phone +46 16 17 70 00, Telefax +46 16 17 72 10 - www.assa.se

M0202.0109.3000