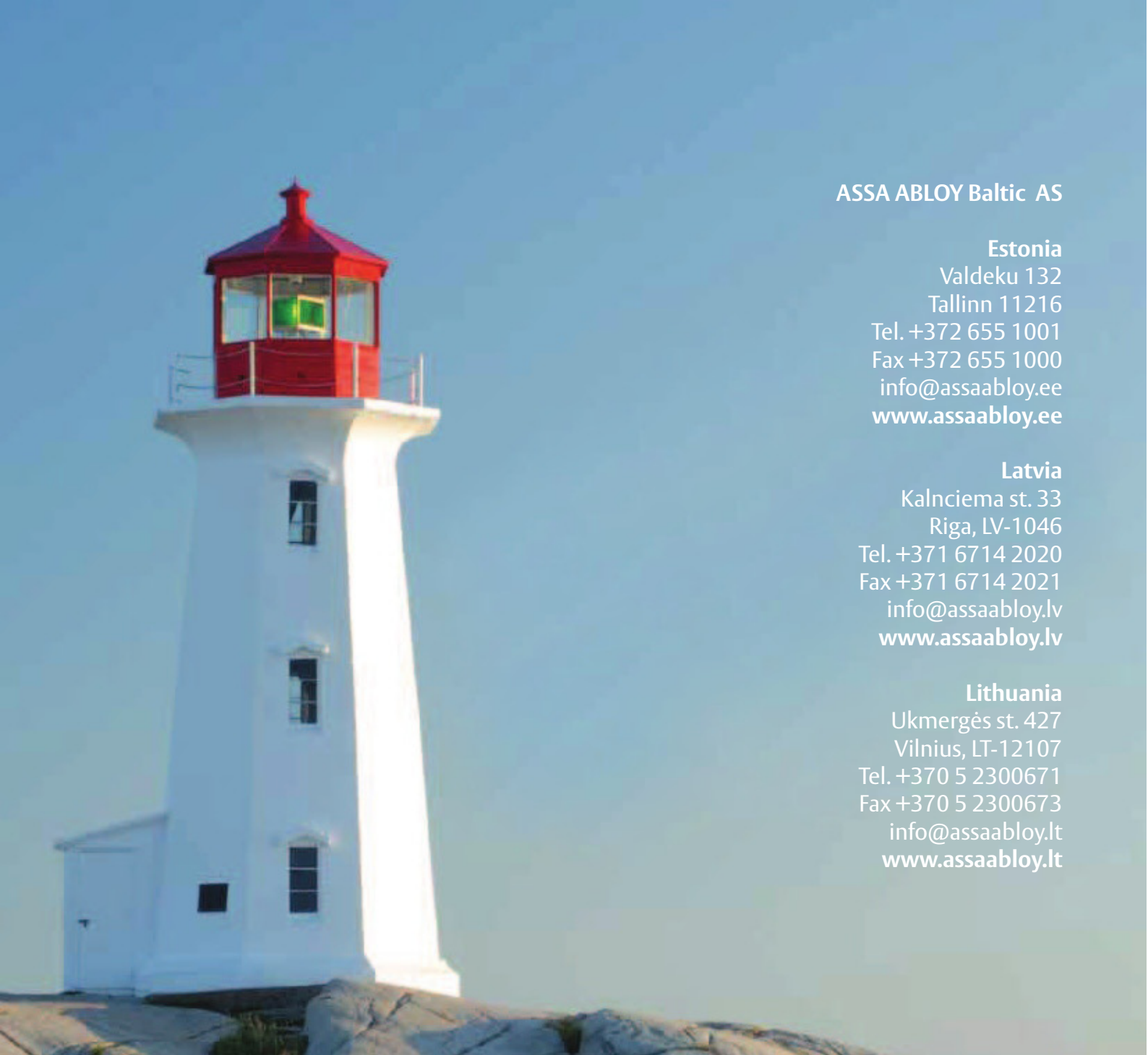


# Door closers

## Technical information

**ASSA ABLOY**

The global leader in door opening solutions.



## ASSA ABLOY Baltic AS

### Estonia

Valdeku 132  
Tallinn 11216  
Tel. +372 655 1001  
Fax +372 655 1000  
info@assaabloy.ee  
[www.assaabloy.ee](http://www.assaabloy.ee)

### Latvia

Kalnciema st. 33  
Riga, LV-1046  
Tel. +371 6714 2020  
Fax +371 6714 2021  
info@assaabloy.lv  
[www.assaabloy.lv](http://www.assaabloy.lv)

### Lithuania

Ukmergès st. 427  
Vilnius, LT-12107  
Tel. +370 5 2300671  
Fax +370 5 2300673  
info@assaabloy.lt  
[www.assaabloy.lt](http://www.assaabloy.lt)

## Unlock your life.

## ASSA ABLOY

ASSA ABLOY is the global leader in door opening solutions, dedicated to satisfying end-user needs for security, safety and convenience. ASSA ABLOY is represented in all major regions, on both mature and emerging markets, with leading positions in much of Europe and North America and in Australia.

In the rapidly growing electromechanical security sector, the Group has a leading position in fields such as access control, identification technology, automatic doors and hotel security.

Since its founding in 1994, ASSA ABLOY has grown from a regional company to an international group with 32,000 employees and sales of over SEK 33 billion.

As the world's leading lock group, ASSA ABLOY offers a more complete range of door opening solutions than any other company on the market.

The goal of ASSA ABLOY Baltic is to be the best supplier of door-opening solutions in the Baltic states, providing complete solutions from the entire ASSA ABLOY Group.

ASSA ABLOY Baltic AS has offices in Estonia, Latvia and Lithuania and also partners in Russian Federation and Belarus.

# Contents

## Where can I find everything?

About us	3
Introduction doorcloser	5
Cam Motion guide rail systems	11
Model DC700	14
Model DC700G-E	20
Model DC700G-S	24
Model DC700G-FT	28
Model DC700G-CO	34
Model DC700G-CO-E	38
Model DC700G-CO-S	42
Model DC700 with G460	46
Model DC700 with G461	50
Model DC700 with G462 / G464	54
Model DC500	60
Concealed systems	66
Model DC860	66
Model DC860 with G880	70
Model DC860 with G881	74
Model DC860 with G882 / G884	78
Model DC840	82
Model DC820	86
Freeswing	90
Model DC640	90
Rack & Pinion systems	95
Model DC300	96
Model DC300 Tandem	100
Model DC347	104
Model DC200	108
Model DC140	112
Model DC120	114
Model DC110	116
Rack & Pinion with guide rails	118
Model DC340	118
Model DC130	124
Floor springs	126
Model DC475	126
Model DC477	134
Model DC420	142
Door operators	150
Model DA960	150
Model DA950	154
Model DA930	158
Order form	162



# Come closer!

## ASSA ABLOY door closers

Come closer and learn about the new door closers from ASSA ABLOY.

### For a whole range of applications and door types

ASSA ABLOY's door closers are ideal for a wide range of situations – from private homes to the commercial or public sector and for heavy or lightweight doors. The modular design simplifies planning, while the intelligent setting adjustment and installation features ensure easy installation. The door closer range is a joint development between companies in the ASSA ABLOY Group.

### Continuous design for sophisticated configuration

A uniform design gives rooms and buildings style and aesthetic appeal. To achieve a uniform appearance, especially in large buildings, ASSA ABLOY door closers offer attractive design with varying performance features across the entire product range.

ASSA ABLOY door closers are available in RAL colours.

### Advantages in brief

- Improved convenience when using doors thanks to Cam Motion® Technology
- A single Cam Motion® closer design for all four mounting positions
- Invisible mounting plate for all models
- Height-adjustable axis
- Height-adjustable guide rail
- Adjustable starting point for latching speed and backcheck
- Uniform mounting points
- Smoke detector harmoniously integrated into the guide rails
- Traversable, electromechanical hold open device
- Consistent design
- Unrestricted functionality even in the event of extreme temperature fluctuations

### Adjustment settings easily made

A door is exposed to various stresses on a daily basis: operation by its users, temperature fluctuations, air humidity.

The door hinge wears out, the door “settles” and the door's closing performance can deteriorate. ASSA ABLOY door closers can be easily adapted to any changes in structural or usage conditions after being installed. ASSA ABLOY door closers simplify adjustments during the mounting process with clever functions. Installation tolerances can be compensated without special components thanks to the height-adjustable axis. Height compensation of 14mm takes all structural conditions into account. The arm height can be adjusted quickly and easily and the closing function is set up optimally.

### Invisible mounting plate



### Height-adjustable axis



### Adjustable backcheck



### Height-adjustable guide rail



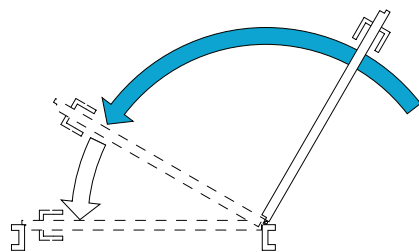
# ASSA ABLOY door closers – Overview of functions and mounting positions

Overview of functions	DC700	DC500	DC640	DC300	DC200	DC347	DC140	DC120
EN door closer size	3 - 6	1 - 4	3 - 4 / 3 - 6	3 - 6	2 - 4	5 - 7	2 / 3 / 4	2 / 3 / 4
Closing speed	•	•	•	•	•	•	•	•
Latching speed	•	•	•	•	•	•	•	•
Back check	•	•	•	•	•	•	•	•
Delayed action	–	–	–	◦	–	–	–	–
Smoke- and fire protec. doors	•	•	•	•	•	•	•	•
CE marked	•	•	•	•	•	•	•	•

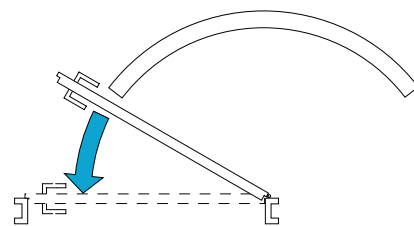
Overview of functions	DC110	DC860	DC840	DC820	DC340	DC130	DC475	DC477	DC420
EN door closer size	3	1 - 5	1 - 4	2 / 3	1 - 4	3	3 - 6	2 - 4	2 / 3 / 4
Closing speed	•	•	•	•	•	•	•	•	•
Latching speed	•	•	•	•	•	•	•	•	•
Back check	–	•	•	–	•	•	•	•	–
Delayed action	–	–	–	–	–	–	–	–	–
Smoke- and fire protec. doors	•	•	•	•	•	•	•	•	•
CE marked	•	•	•	–	•	•	•	•	•

• = Standard  
◦ = Optional

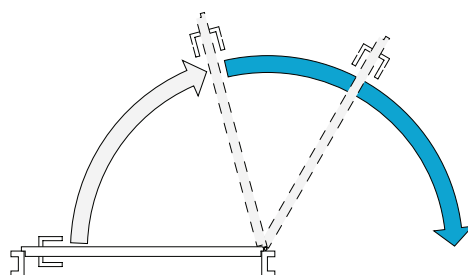
Description of adjustable functions:



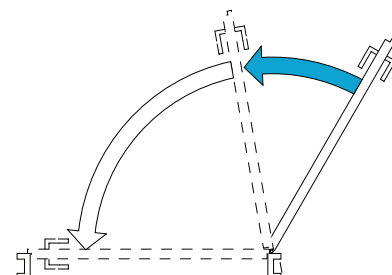
**Closing speed**  
Speed of door leaf during closing.



**Latching speed**  
Speed of closing door leaf at opening angles between 0° and 15° until it reaches its closed position.



**Backcheck**  
Opening motion is hydraulically slowed down from an opening angle of about 75°.



**Closing delay**  
Delay in the closing speed between about 120° and 70°.

## The door closer matrix –

Use this table to find the right door closer for your requirements

Single leaf door systems		Single leaf doors up to 1,100 mm	Single leaf doors up to 1,400 mm	Single leaf doors up to 1,400 mm hold-open function	Single leaf doors up to 1,400 mm smoke detector
Guide rail	Hinge side	DC500, DC 340, DC130 (950 mm)	DC700	DC700G-E, DC700/G460	DC700G-S
	Non-hinge side	DC500, DC 340, DC130 (950 mm)	DC700	DC700G-E, DC700/G460	DC700G-S
Concealed		DC840, DC820 (950 mm)	DC860 (1,250 mm)	DC860/G880 (1,250 mm)	
Rack and pinion	Hinge side	DC200, DC140, DC120, DC110 (950 mm)	DC347, DC300 Tandem, DC300 (DA)		
	Non-hinge side	DC200, DC140, DC120, DC110 (950 mm)	DC347, DC300 Tandem, DC300 (DA)		
Floor spring		DC477, DC420	DC475		
Free swing		DC640 (guide rail)	DC640 (link arm)		
Door operator		DA930 (1,000 mm) DA950 (1,000 mm) DA960 (guide rail)	DA960 (link arm)		
Security door closer		DC700G-FT			

Double leaf door systems		Double leaf doors up to 2,800 mm	Double leaf doors up to 2,800 mm hold-open function	Double leaf doors up to 2,800 mm smoke detector
Guide rail	Hinge side	DC700G-CO, DC700/G461	DC700G-CO-E, DC700/G462, DC700/G464	DC700G-CO-S
	Non-hinge side	DC700/G461	DC700/G462, DC700/G464	
Concealed		DC860/G881 (2,500 mm)	DC860/G884, DC860/G882 (2,500mm)	

This overview will help you to find the right closer system for your usage requirements with rapidly decreasing opening torque thanks to Cam Motion®.

All mounting positions with a guide rail door closer

1 Normal mounting on hinge side



2 Frame mounting on hinge side



3 Normal mounting on non-hinge side



4 Frame mounting on non-hinge side



# ASSA ABLOY door closers

## use state-of-the-art technology

### Explanation of standards:

#### Safe in an emergency

You'll be on the safe side with ASSA ABLOY, since our door closers meet national and international provisions and regulations.

Smoke protection and fire doors may only be fitted with door closer systems complying with EN1154/EN1155/EN1158..

ASSA ABLOY supplies approved door closer systems for single and double leaf smoke and fire doors with different usage requirements.

#### EN 1154

This standard specifies the technical requirements, including those for fire and smoke protection doors, for hand-operated door closing devices on swing doors with a controlled closing cycle, for which the closing energy is applied by the user when opening the door.

#### EN 1155

This standard specifies the requirements for stand-alone hold open devices or those built into door closers may be used on fire and smoke protection doors.

#### EN 1158

This standard specifies requirements for both separately mounted door coordinator devices and door coordinator mechanisms incorporated in door closers. There are additional requirements for devices for use on fire/smoke door assemblies included.

### Example and explanation of CE marking on Door Closer DC300 in accordance with DIN EN1154:

The diagram shows a CE marking label with the following components and annotations:

- CE mark**: The CE symbol.
- Manufacturer & address**: ASSA ABLOY Sicherheitstechnik GmbH, Bildstockstraße 20, 72458 Albstadt.
- Year of issue for CE mark (the last two figures) (may also be indicated separately on the door closer)**: 10.
- Certification centre number – certificate number**: 1162-CPD-0485.
- Standard for door closer, number and issue date**: EN1154:1996+A1:2002.
- Hazardous substances, if any are present: Quantity/contents**: None.
- Door closer classification\***: 4 8 6/3 1 1 4.

\* Explanation of classification key

- 4 = Closing of doors from open position of 180°
- 8 = Endurance test of 500,000 test cycles
- 3/6 = Door closer size 3-6
- 1 = Suitable for use with fire and smoke protection doors
- 1 = Meets key requirements for safe usage
- 4 = Very high corrosion resistance



# ASSA ABLOY door closers

## Cam Motion® for optimum convenience in opening doors

### Explanation of the standard:

#### CEN TR 15894

CEN TR 15894 is a technical report on the use of building hardware, door systems and associated products in buildings.

The aim of the report is to ensure designs for safer, more reliable and more convenient use of doors for residents in buildings, placing particular focus on children, the elderly and the disabled.

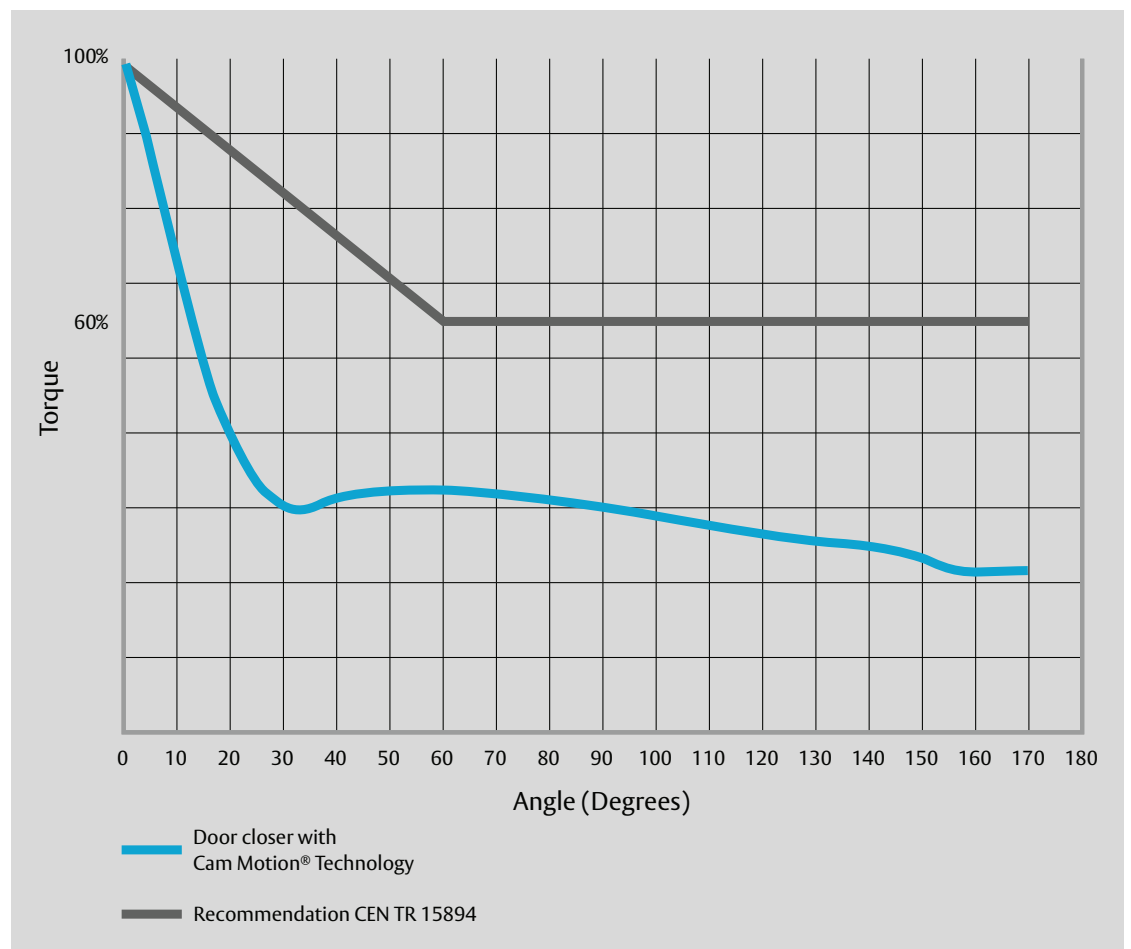
The key recommendation for users is to install a door closer which incorporates a rapidly decreasing opening torque. To ensure that this is the case, the force which a user needs to apply to open the door up to 60° must be reduced by 40%.

#### Cam Motion® Technology

ASSA ABLOY Cam Motion® Technology enables guide rail door closers to comply with CEN TR 15894 requirements.



### Rapidly decreasing torque in a Cam Motion® door closer from ASSA ABLOY





## Guide rail systems Compact and versatile

### Guide rail door closers

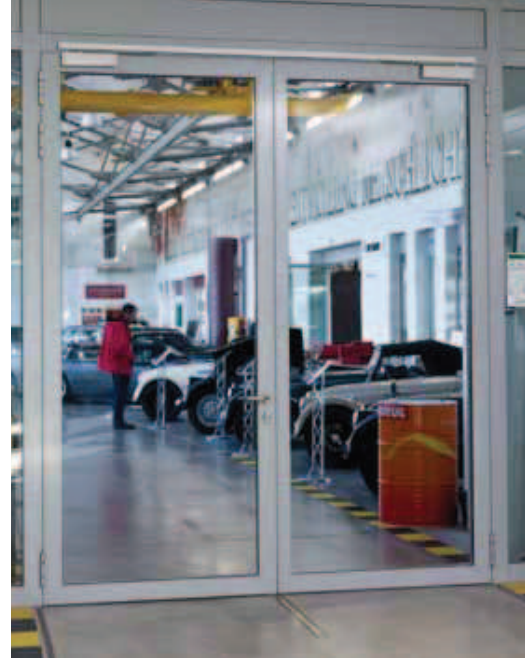
This versatile system allows ASSA ABLOY Cam Motion® door closers with different guide rail designs to be used for almost any application.

The comprehensive guide rail range enables the required functions to be used in both single leaf and double leaf doors.

These systems can provide reliable, automatic closing of doors and electro-mechanical securing of fire and smoke protection barriers.

The smoke detector seamlessly integrated into the guide rail safely monitors electro-mechanically secured doors and closes them quickly in the event of an emergency.

The wedge system used in double leaf doors models ensures that doors are closed safely in the correct order – first the inactive leaf, followed by the active leaf.



ASSA ABLOY – versatile systems for almost any type of use





## Guide rail door closers

### Design-focused and convenient

#### Cam door closers

ASSA ABLOY Cam Motion® guide rail door closers match the door's appearance harmoniously and open a wide range of design possibilities to planners and architects.

Secure closing and optimum usage convenience are not incompatible thanks to the rapidly decreasing opening torque.

Cam Motion® Technology reduces the counter pressure when opening the door and the door's handling is made considerably easier in comparison with conventional guide rail door closers.

Product-specific requirements, as recommended in CEN TR15894 (rapidly decreasing opening torque), can already be met using ASSA ABLOY Cam Motion®.



ASSA ABLOY Cam Motion® door closers impress thanks to their versatility and optimum convenience.



## DC700



## ASSA ABLOY DC700

- Door closer with Cam-Motion technology and height-adjustable guide rail G195 or standard guide rail G193
- Fulfills barrier-free building requirements (DDA/ CEN TR 15894)
- Certified in compliance with EN 1154, size 3-6
- Suitable for fire and smoke protection doors
- For single action doors up to 1400 mm wide
- Can be used in four installation types: hinge and non-hinge sides in standard and frame installation



CE	Abloy OY	10
	PO Box 108 80101 Joensuu, Finland	
1162-CPD-0464	EN 1154:1996+A1:2002	3 8 $\frac{6}{3}$ 1 1 4

## Characteristics DC700

- Can be used with integrated concealed mounting plate, suitable for fire and smoke protection doors
- Can be used for left and right-handed doors
- Axis continuously height adjustable up to 14 mm
- Closing speed, latching speed and backcheck adjustable via front facing regulating valves
- Thermodynamic valves for consistent performance
- Variable adjustable closing force
- Opening angle up to 170°
- Effective backcheck and latching speed range adjustable
- Large range of applications
- Standard colours: silver EV1; white, similar to RAL9016; brown, similar to RAL8014; black, similar to RAL9005
- Customized finishes available on request

## Characteristics of special model DC700AC

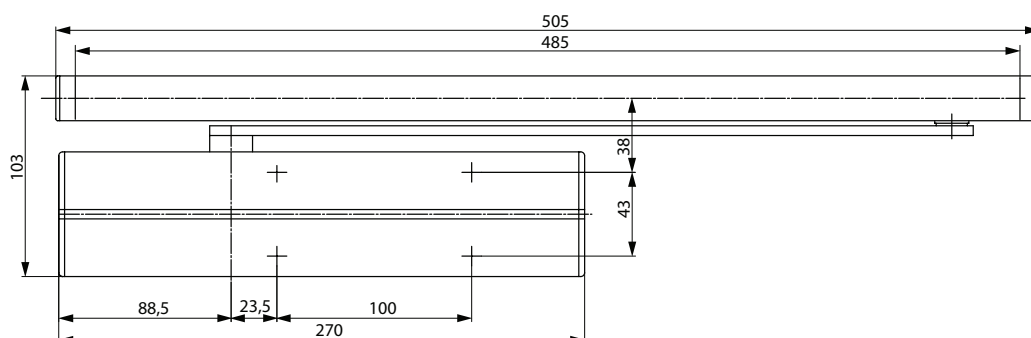
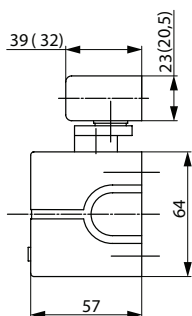
- Opening angle of 180° for standard installation on hinge side
- Other features as in Model DC700

## Characteristics for guide rail G195

- Height-adjustable by 2 mm for tolerance
- Concealed fastening screws
- Installation dimensions: see diagram

## Characteristics of standard guide rail G193

- Without protective cover
- Visible fastening screws
- Installation dimensions: see diagram (dimensions in brackets)



# DC700

## Technical attributes

Technical attributes	
Variable adjustable closing force	EN 3-6
Door width up to	1400 mm
Fire and smoke protection	yes
Door swing directions	Left / right handed
Standard and frame installation	yes
Closing speed	Variable between 170°-0°
Latching speed	Variable between 15°-0°
Delayed closing (DC700DA)	yes
Backcheck	Variable above 75°
Opening angle, hinge side, DC700	ca. 170°
Opening angle, hinge side, DC700AC	180°
Opening angle non-hinge side	ca. 120°
Weight	2.7 kg
Height	64 mm
Depth	57 mm
Length	270 mm
Certified in compliance with	EN 1154
CE marking for building products	yes

### The advantages at a glance

Customer segment	Advantages
<b>Project planners</b>	<ul style="list-style-type: none"> <li>- Extensive range of uses: Fire and smoke protection doors as well as standard doors</li> <li>- Modern design</li> <li>- Compact design</li> <li>- Fulfills barrier-free building requirements (DDA, CEN/TR 15894)</li> <li>- Same dimensions and design with and without mounting plate</li> <li>- Comprehensive functions, standard and optional</li> </ul>
<b>Builders</b>	<ul style="list-style-type: none"> <li>- One drilling template overall</li> <li>- Adjustable to nearly all door and frame types</li> <li>- Quick and easy installation</li> <li>- Quickly and easily adjustable</li> <li>- Suitable for left and right handed doors for standard and frame mounting on hinge and non-hinge side</li> </ul>
<b>Trade</b>	<ul style="list-style-type: none"> <li>- Reduced inventory costs due to modular product range</li> <li>- One single product suitable for a large variety of mounting positions</li> <li>- Complementary accessories available for the whole product range</li> </ul>
<b>User</b>	<ul style="list-style-type: none"> <li>- Largely unaffected by temperature fluctuations thanks to thermodynamic valves</li> <li>- Easier door opening and improved accessibility due to Cam-Motion technology</li> <li>- Backcheck feature offers optimum protection for doors and walls</li> </ul>

Our service for you: here you can see the individual advantages of our door closer models for your respective field of business.

You can find the complete specification on the internet at: (Link of your company's homepage)

### Specifications for DC700

ASSA ABLOY Door Closer DC700 with Cam-Motion technology and guide rail in compliance with EN 1154

- Closing power adjustable, EN size 3-6, for doors up to 1400 mm wide
- Closing speed, latch speed and backcheck adjustable via front facing regulating valves
- Can be used with integrated concealed mounting plate, suitable for fire and smoke protection doors
- CE approved
- 14 mm height adjustable arm system for ease of fitting
- Standard and frame installation on hinge and non-hinge side of the door
- Suitable for left and right handed doors

### Accessories:

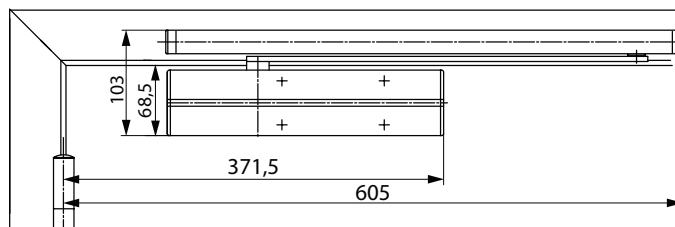
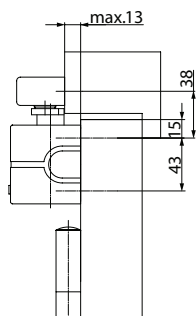
- Standard guide rail G193
- Height-adjustable guide rail G195
- Mounting plate A120
- Mounting plate A130 for guide rail G193 and G195
- Angle bracket A104 for guide rail G193
- Mechanical opening damper A153
- Mechanical hold open device A152 (not for fire and smoke protection doors)

### Colour:

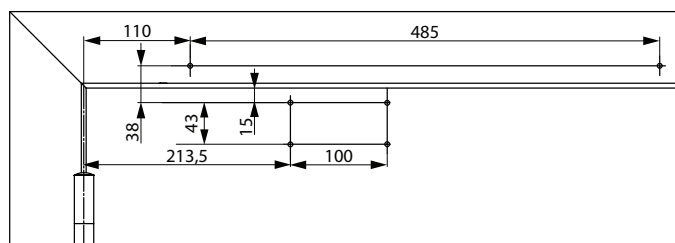
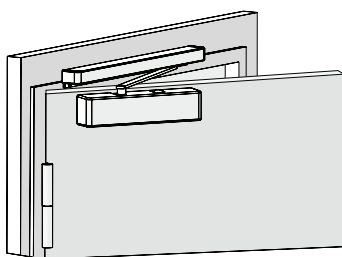
- Silver EV1
- White, similar to RAL9016
- Brown, similar to RAL8014
- Black, similar to RAL9005
- Customized finish

# DC700

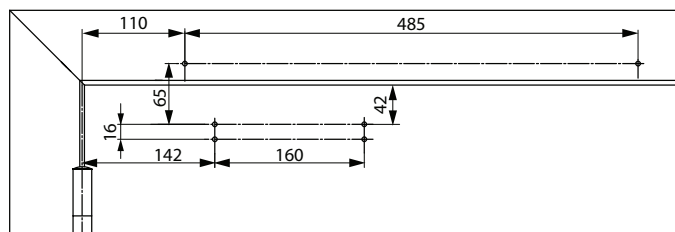
## Dimensional drawings



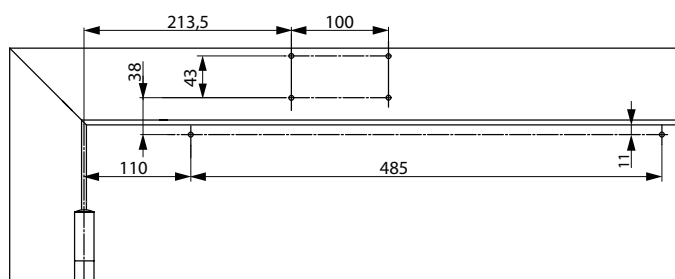
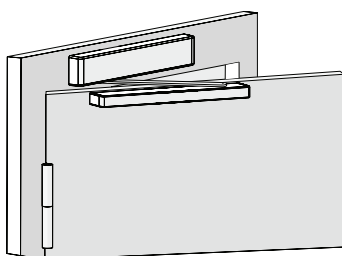
Space required on doors for standard installation on hinge side  
 Left handed shown in diagram  
 Right handed is the reverse



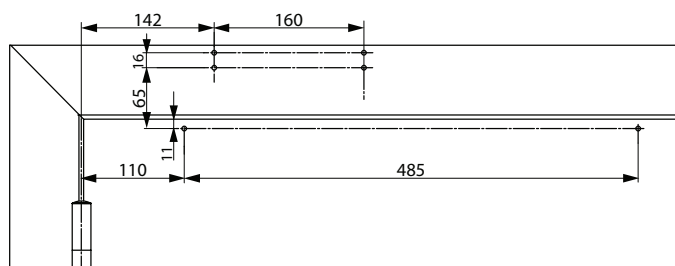
Installation dimensions for direct standard mounting on hinge side  
 Left handed shown in diagram  
 Right handed is the reverse



Installation dimensions with mounting plate for standard mounting on hinge side  
 In compliance with EN 1154, Supplement 1, or for doors where direct mounting is not possible.  
 Left handed shown in diagram  
 Right handed is the reverse



Installation dimensions for direct frame mounting on hinge side  
 Closer on hinge side of door frame.  
 Left handed shown in diagram  
 Right handed is the reverse

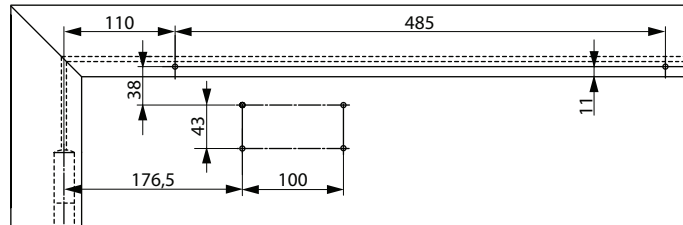
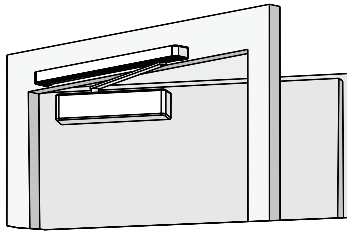


Installation dimensions with mounting plate for frame mounting on hinge side  
 Closer on hinge side of door frame. For doors where direct mounting is not possible.  
 Left handed shown in diagram  
 Right handed is the reverse

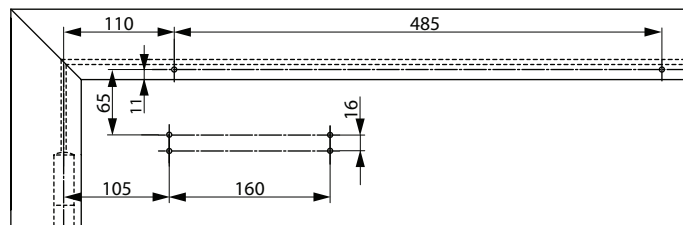


# DC700

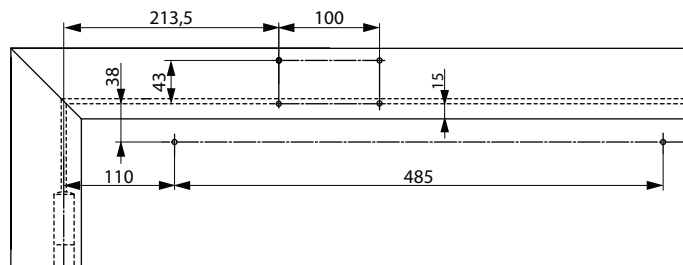
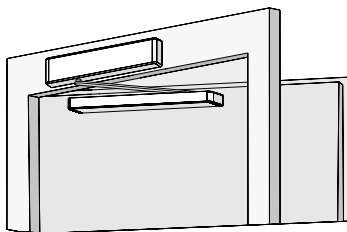
## Dimensional drawings



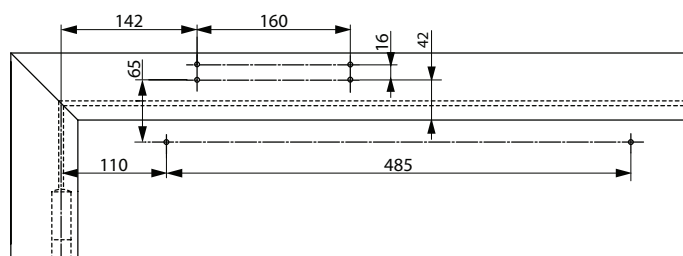
Installation dimensions for direct standard mounting non hinge side  
 Right handed door shown in diagram  
 Left handed door is the reverse



Installation dimensions with mounting plate for standard mounting non hinge side  
 For doors where direct mounting is not possible  
 Right handed door shown in diagram  
 Left handed door is the reverse



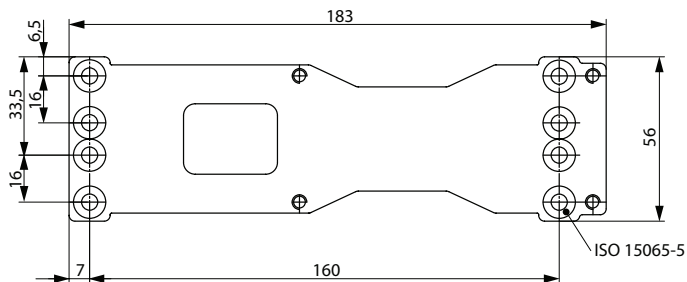
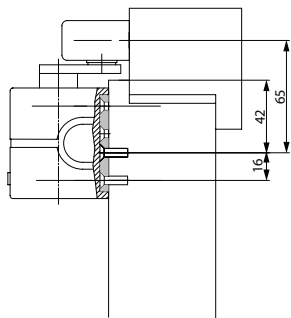
Installation dimensions when mounted directly onto the frame non-hinge side  
 Closer on non-hinge side of door frame  
 Right handed door shown in diagram  
 Left handed door is the reverse



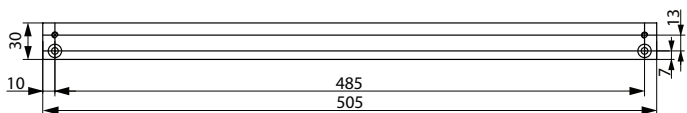
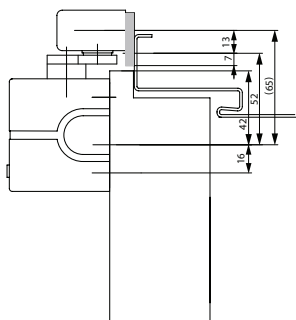
Installation dimensions with mounting plate for frame mounting non-hinge side  
 Closer on non-hinge side of door frame. For doors where direct mounting is not possible.  
 Right handed door shown in diagram  
 Left handed door is the reverse

# DC700

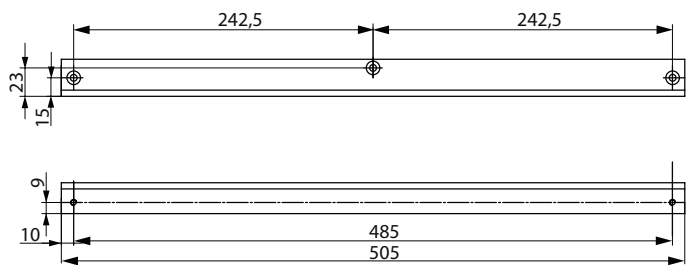
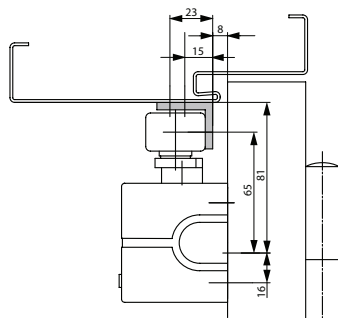
## Accessories



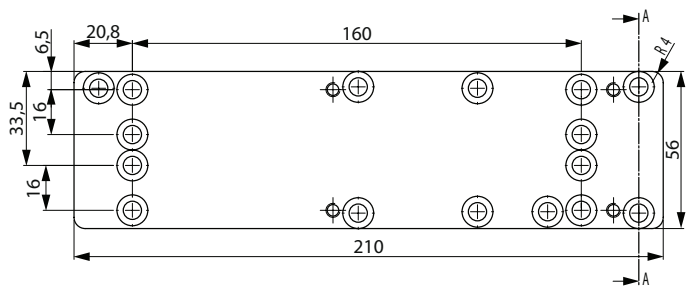
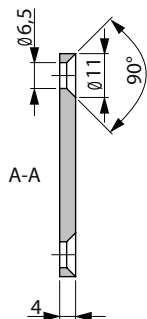
**Mounting plate A120**  
For mounting with drilling template acc. to EN 1154 Supplement 1 and for universal use



**Mounting plate A130**  
For guide rail G193 and G195



**Angle bracket A104**  
Only for standard guide rail G193



**Replacement plate A124**  
Replacement plate A124

# DC700

## Accessories

### Hold open device A152

Mechanical hold-open device for doors which sometimes need to be secured in the open position.

Simple fitting into guide rail G193 and G195.

Hold open angle max. 130°.

Adjustable hold-open force.

Not approved for use on fire and smoke protection doors.



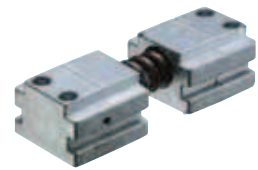
### Opening damper A153

Helps to prevent the door and door handle from hitting a return wall.

Simple fitting into guide rail G193 and G195.

Opening damper continuously adjustable up to an opening angle of max. 130°.

Does not replace a door stop.



Description	Order no.	Description	Order no.
DC700, EN size 3-6, silver EV1		Mounting plate A120, galvanised	
DC700, EN size 3-6, white, similar to RAL9016		Mounting plate A130, silver EV1	
DC700, EN size 3-6, brown, similar to RAL8014		Mounting plate A130, white, similar to RAL9016	
DC700, EN size 3-6, black, similar to RAL9005		Mounting plate A130, brown, similar to RAL8014	
DC700, EN size 3-6, customized finish		Mounting plate A130, black, similar to RAL9005	
Guide rail G193, silver EV1		Mounting plate A130, customized finish	
Guide rail G193, white, similar to RAL9016		Angle bracket A104, silver EV1	
Guide rail G193, brown, similar to RAL8014		Angle bracket A104, RAL9016 white	
Guide rail G193, black, similar to RAL9005		Angle bracket A104, brown, similar to RAL8014	
Guide rail G195, silver EV1		Angle bracket A104, black, similar to RAL9005	
Guide rail G195, white, similar to RAL9016		Hold open device A152	
Guide rail G195, brown, similar to RAL8014		Opening damper A153	
Guide rail G195, black, similar to RAL9005		Replacement plate A124, galvanised	
Guide rail G195, customized finish			

## DC700G-E



## ASSA ABLOY DC700G-E

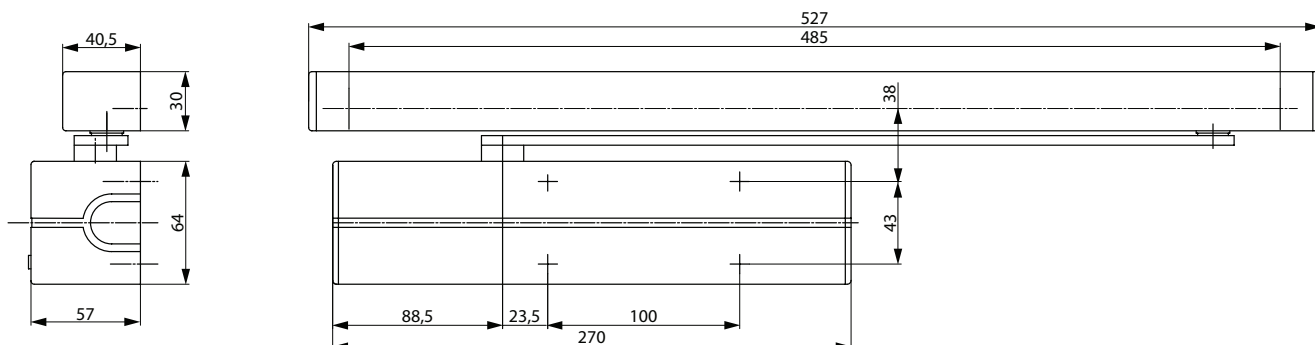
- Door closer with Cam-Motion technology with electro-mechanical hold-open device for single leaf doors
- Certified in compliance with EN 1154/1155, size 3-6
- Hold-open angle continuously adjustable between ca. 80° and 130°
- Hold-open device is traversable
- For fire and smoke protection doors up to 1400 mm
- Fulfills barrier-free building requirements (DDA/ CEN TR 15894)



CE	ASSA ABLOY Sicherheitstechnik GmbH Bildstockstraße 20 72458 Albstadt	10	
	0432-CPD-152 EN 1155:1997+A1:2002	3	8 <sup>6</sup> / <sub>3</sub> 1 1 3
Dangerous substances: None			

## Characteristics DC700G-E

- Electro-mechanical hold-open device
- Supply line 24 V DC, flush or surface mounting
- Continuously adjustable holding force
- Traversable hold-open device, continuously adjustable between ca. 80°-130°
- Can be used for left and right-handed doors
- Standard installation types on the hinge and non-hinge side
- Same drilling template as standard guide rails
- Axis continuously height-adjustable up to 14 mm
- Closing speed, latching speed and backcheck adjustable via front facing regulating valves
- Thermodynamic valves for consistent performance
- Variable adjustable closing force
- Effective backcheck and latching speed range adjustable
- Large range of applications
- Entry-point in surface- and flush-mounted
- Standard colours: silver EV1, white similar to RAL9016
- Customized finishes available on request



# DC700G-E

## Technical attributes

### Guide rail G-E

Technical attributes	
Power supply	24 V DC
Current consumption	about 120 mA
Continuous duty	100 % ED
Class of protection	IP 43
Weight	1.1 kg
Height	30 mm
Depth	40,5 mm
Length	527 mm
Fire and smoke protection	Yes
Certified in compliance with	EN 1155
CE marking for building products	yes

Facts for door closer see DC700

### The advantages at a glance

Customer segment	Advantages
Project planners	<ul style="list-style-type: none"> <li>- Extensive range of uses: Fire and smoke protection doors as well as standard doors</li> <li>- Modern design</li> <li>- Compact design</li> </ul>
Builders	<ul style="list-style-type: none"> <li>- One drilling template overall</li> <li>- Adjustable to nearly all door and frame types</li> <li>- Quick and easy installation</li> <li>- Quickly and easily adjustable</li> <li>- Suitable for left and right hand doors for standard mounting on hinge and non-hinge side</li> </ul>
Trade	<ul style="list-style-type: none"> <li>- Reduced inventory costs due to modular product range</li> <li>- One single product suitable for a large variety of mounting positions</li> <li>- A single model for both hinge and non-hinge side</li> </ul>
User	<ul style="list-style-type: none"> <li>- Adjustable operating force, to meet door construction requirements and user need</li> </ul>

Our service for you: here you can see the individual advantages of our door closer models for your respective field of business.

You can find the complete specification on the internet at: (Link of your company's homepage)

### Specifications for DC700G-E

- ASSA ABLOY Door Closer DC700GE with Cam-Motion technology, guide rail with electro-mechanical hold-open device, 24 V DC
- Closing power adjustable, EN size 3-6, for doors up to 1400 mm wide
  - Closing speed, latching speed and backcheck adjustable via front facing regulating valves
  - Can be used with mounting plate for fire and smoke protection doors
  - CE approved
  - 14 mm height adjustable arm system for ease of fitting
  - Standard installation on hinge and non-hinge sides of the door
  - Suitable for left and right handed doors
  - Hold-open device continuously adjustable between ca. 80° and 130°
  - Hold-open device is traversable

### Accessories:

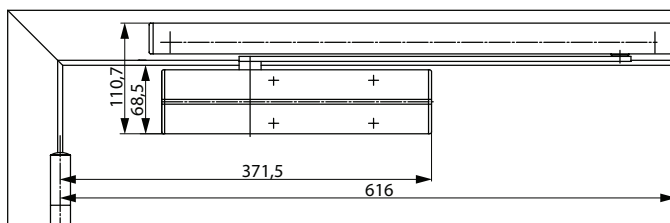
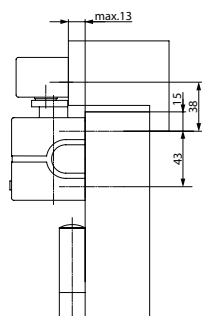
- Guide rail G-E
- Mounting plate A131 for guide rail G-E
- Smoke detector station RZ100
- Ceiling smoke detector ORS 142 / TDS 247
- Smoke protection switch
- Optical smoke detector 60060
- Flush-mounted or surface-mounted release button

### Colour:

- Silver EV1
- White, similar to RAL9016
- Customized finish

# DC700G-E

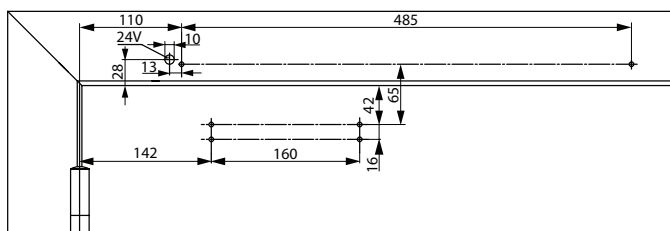
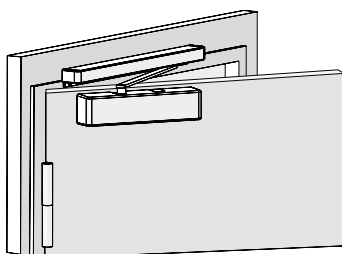
## Dimensional drawings



**Required space on doors**

Left handed shown in diagram

Right handed is the reverse

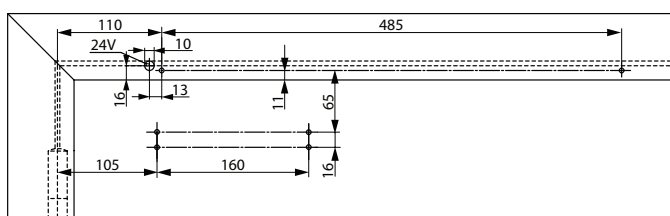
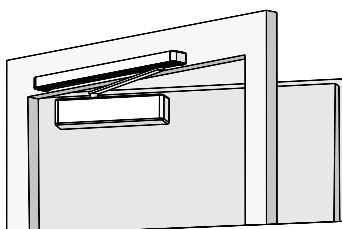


**Installation dimensions with mounting plate for standard mounting on hinge side**

In compliance with EN 1154, Supplement 1, or for doors where direct mounting is not possible.

Left handed shown in diagram

Right handed is the reverse



**Installation dimensions with mounting plate for standard mounting non hinge side**

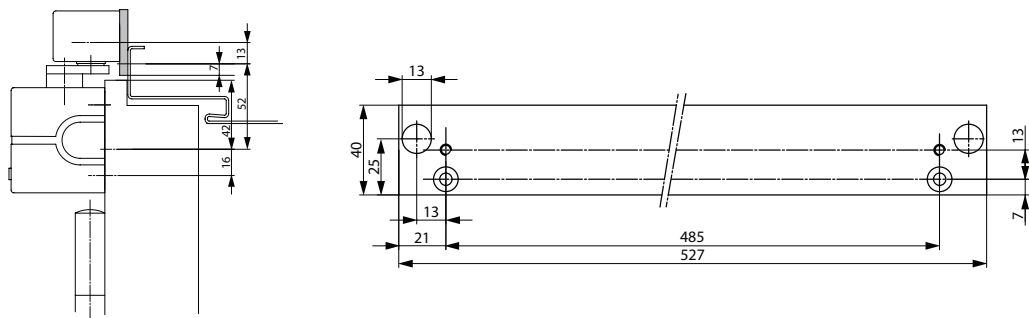
For doors where direct mounting is not possible

Left handed shown in diagram

Right handed is the reverse

# DC700G-E Accessories

Mounting plate A131  
For guide rail G-E



Description	Order no.
Guide rail with electro-mechanical hold-open device, silver EV1	
Guide rail with electro-mechanical hold-open device, white, similar to RAL9016	
Guide rail with electro-mechanical hold-open device, customized finish	

Description	Order no.
Mounting plate A131, silver EV1	
Mounting plate A131, white, similar to RAL9016	
Mounting plate A131, customized finish	

## DC700G-S



## ASSA ABLOY DC700G-S

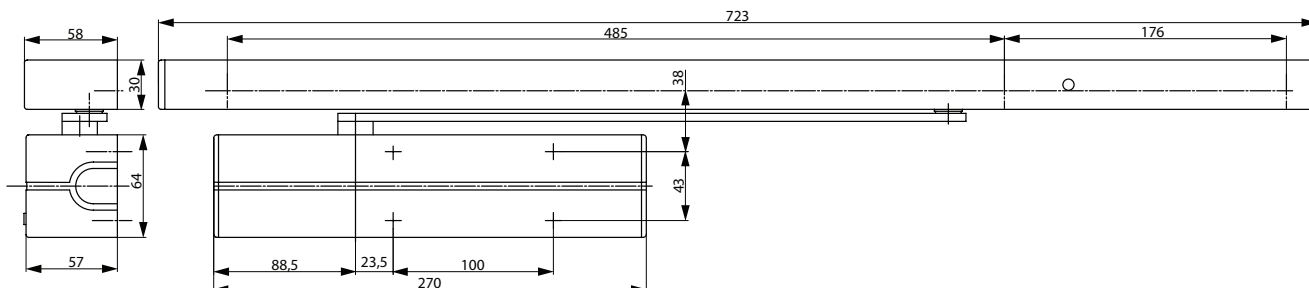
- Door closer with Cam-Motion technology with electro-mechanical hold-open device and smoke detector for single-leaf doors
- Smoke detector with contamination indicator and alarm threshold monitoring
- Integrated 230 V AC power supply
- All components fully integrated into guide rail
- Fulfills barrier-free building requirements (DDA/ CEN TR 15894)
- For fire and smoke protection doors up to 1400 mm wide (with DIBt approval)

## Characteristics DC700G-S

- Optical smoke detector
- Status displayed on LED: operational mode, alarm, maintenance
- Integrated potential-free alarm relay
- Can be activated by a fire alarm system
- Connectivity for release button and additional smoke detectors
- Electro-mechanical hold-open device
- Continuously adjustable holding force
- Traversable hold-open device, continuously adjustable between ca. 80°-130°
- Can be used for left and right-handed doors
- Standard installation types on the hinge and non-hinge side
- Same drilling template as standard guide rails
- Axis continuously height-adjustable up to 14 mm
- Closing speed, latching speed and backcheck adjustable via front facing regulating valves
- Variable adjustable closing force
- Thermodynamic valves for consistent performance
- Effective backcheck and latching speed range adjustable
- Optional mounting plate, suitable for fire and smoke protection doors
- Entry-point in surface- and flush-mounted
- Standard colours: silver EV1, white similar to RAL9016
- Customized finishes available on request



CE	ASSA ABLOY Sicherheitstechnik GmbH Bildstockstraße 20 72458 Albstadt		10					
	0432-CPD-152	EN 1155:1997+A1:2002	3	8	6 3	1	1	3
Dangerous substances: None								





# DC700G-S

## Technical attributes

### Guide rail G-S

Technical attributes	
Power supply	230 V supply voltage
Current consumption	about 120 mA
Continuous duty	100%
Class of protection	IP 20
Weight	1,5 kg
Height	30 mm
Depth	58 mm
Length	723 mm
Fire and smoke protection	Yes (with DIBt approval)
Certified in compliance with	Guidelines for arrestor systems
Certified in compliance with	EN 1155

Facts for door closer see DC700

### The advantages at a glance

Customer segment	Advantages
Project planners	<ul style="list-style-type: none"> <li>- Extensive range of uses</li> <li>- Modern design</li> <li>- Compact design</li> </ul>
Builders	<ul style="list-style-type: none"> <li>- One drilling template overall</li> <li>- Adjustable to nearly all door and frame types</li> <li>- Pre-assembled component modules for quick installation</li> <li>- Quickly and easily adjustable</li> <li>- Suitable for left and right handed doors for standard mounting on hinge and non-hinge side</li> <li>- Integrated functions test button</li> </ul>
Trade	<ul style="list-style-type: none"> <li>- Reduced inventory costs due to modular product range</li> <li>- One single product suitable for a large variety of mounting positions</li> <li>- A single model for both hinge and non-hinge side</li> </ul>
User	<ul style="list-style-type: none"> <li>- Automatic alarm re-set</li> </ul>

Our service for you: here you can see the individual advantages of our door closer models for your respective field of business.

You can find the complete specification on the internet at: (Link of your companies homepage)

### Specifications for DC700G-S

ASSA ABLOY Door Closer DC700 with Cam-Motion technology, guide rail with electro-mechanical hold-open device and integrated smoke detector. Requires 230 V power supply in compliance with EN 1154 / 1155 / 14637

- Closing power adjustable, EN size 3-6, for doors up to 1400 mm wide
- Closing speed, latching speed and backcheck adjustable via front facing regulating valves
- 14 mm height adjustable arm system for ease of fitting
- Standard installation on the hinge and non-hinge sides
- Suitable for left and right handed doors
- Hold-open device continuously adjustable between ca. 80° and 130°
- Hold-open device is traversable
- Integrated smoke detector with contamination indicator and alarm threshold monitoring
- Two ceiling smoke detectors can be connected

### Accessories:

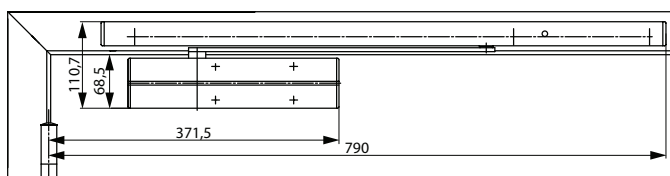
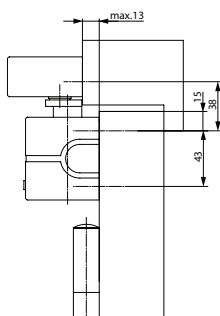
- Guide rail G-S
- Mounting plate A132 for guide rail G-S
- Ceiling smoke detector
- Flush-mounted or surface-mounted release button

### Colour:

- Silver EV1
- White, similar to RAL9016
- Customized finish

# DC700G-S

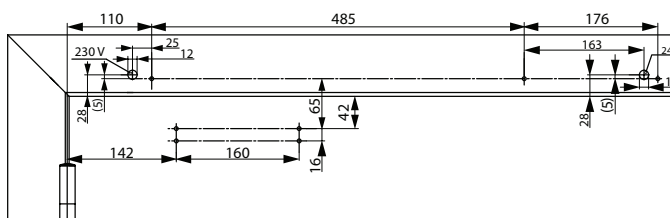
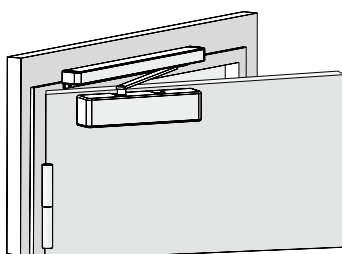
## Dimensional drawings



### Required space on doors

Left handed shown in diagram

Right handed is the reverse

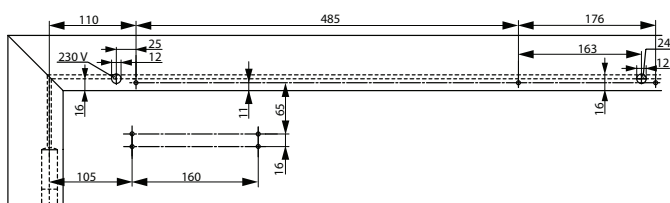
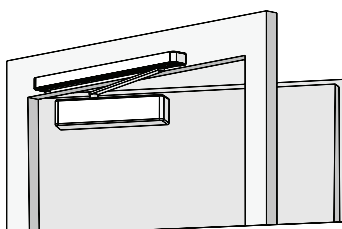


### Installation dimensions with mounting plate for standard mounting on hinge side

In compliance with EN 1154, Supplement 1, or for doors where direct mounting is not possible.

Left handed shown in diagram

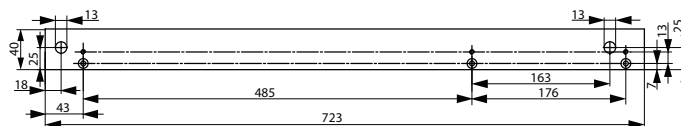
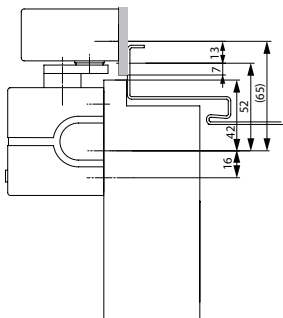
Right handed is the reverse



### Installation dimensions with mounting plate for standard mounting non hinge side

For mounting with drilling template acc. to EN 1154 Supplement 1 and for universal use

# DC700G-S Accessories



Mounting plate A132  
For mounting plate G-S

Description	Order no.
Guide rail with smoke detector, silver EV1	
Guide rail with smoke detector, white, similar to RAL9016	
Guide rail with smoke detector, customized finish	

Description	Order no.
Mounting plate A132, silver EV1	
Mounting plate A132, white, similar to RAL9016	
Mounting plate A132, customized finish	

## DC700G-FT



CE	Abloy OY	10
	PO Box 108 80101 Joensuu, Finland	
1162-CPD-0464	EN 1154:1996+A1:2002	3 8 6 1 1 4

## ASSA ABLOY DC700G-FT

- ASSA ABLOY door closer with Cam-Motion technology, extended mounting plate and integrated latch bolt lock, extended guide rail with integrated escape door strike
- Suitable for retrofitting to fire doors with guide rail door closers and fastening using drilling template acc. to EN 1154, Supplementary Sheet 1:2003-11
- Certified in compliance with EN 1154, size 3-6
- Escape door strike 332, tested in compliance with the German guideline for electrical locking systems for doors along escape routes
- For single leaf doors, doors between 850 - 1,200 mm wide

## Characteristics DC700G-FT

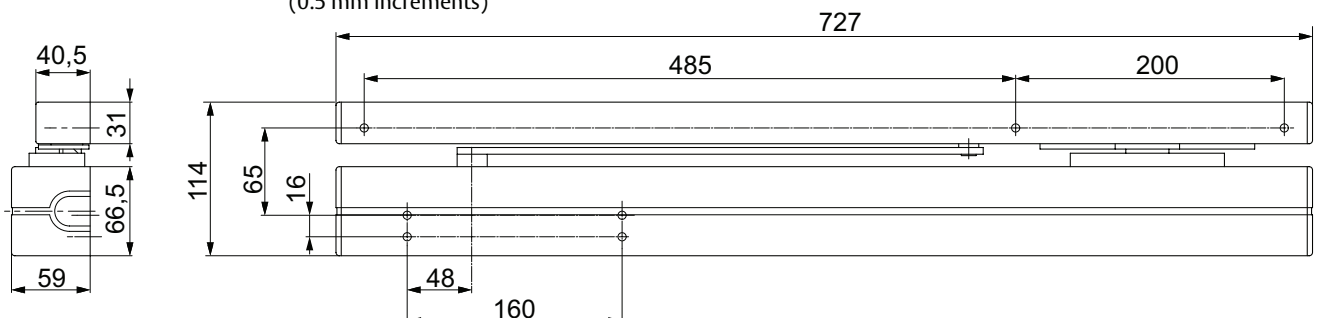
- Integrated escape door strike 332 in extended guide rail
- Integrated latch bolt lock 807 on extended mounting plate
- with 4 m connecting cable
- Flush or surface installation of wiring possible
- Suitable for fire and smoke protection doors
- Suitable for left and right handed doors
- Standard installation on hinge side
- Variable adjustable closing force
- Closing speed, latching speed and backcheck continuously adjustable
- Thermodynamic valves for consistent performance
- Door closer axis height continuously adjustable by 14 mm
- Standard colours: silver EV1

## Characteristics of escape door locking system

- Holding force of 2,000 N
- Latch position continuously adjustable between 12 mm and 17 mm
- Latch position adjustable horizontally between -3 mm and +6 mm
- Latch bolt lock can be adjusted vertically in 4 mm increments (-4/ 0/ +4/ +8)
- Escape door strike using FaFix®, adjustable by 2 mm (0.5 mm increments)

## Characteristics of guide rail

- Height-adjustable by 2 mm for tolerance
- Concealed fastening screws



# DC700G-FT

## Technical attributes

Technical attributes	
Variable adjustable closing force	EN 3-6
Door width up to	850 mm - 1,200 mm
Fire and smoke protection	Yes
Door swing directions	Left / right handed
Standard installation on hinge side	Yes
Closing speed	Variable between 170°-0°
Latching speed	Variable between 15°-0°
Backcheck	Variable above 75°
Opening angle hinge side	ca. 170°
Certified in compliance with	EN 1154
CE marking for building products	Yes
Mounting plate dimensions	see dimensional drawings
Dimensions of guide rail	see dimensional drawings
<b>Escape door strike</b>	
Holding force	2000 N
Rated voltage	12 V DC / 24 V DC
Rated current	190 mA / 12 V; 95 mA / 24 V
Rated operational voltage tolerance	+/- 10 %
Operating temperature range	-15 °C to +40 °C
Switching capacity - monitoring contact	24V, 1 A
Armature contact not potential-free	Yes
Free wheeling diode	Yes
Certified in compliance with	EltVTR
Approved system in compliance with EltVTR	Escape route controller

You can find the complete specification on the internet at: (Link of your companies homepage)

### Specifications for DC700G-FT

- ASSA ABLOY door closer with Cam-Motion technology; extended mounting plate and integrated latch bolt lock, guide rail with integrated effeff escape door strike 332, 24V DC. End-to-end protective cover for door closers and guide rails; suitable for retrofitting to fire doors with guide rail door closers and for fastening using drilling template acc. to EN 1154, Supplementary Sheet 1:2003-11;
- Closing force continuously adjustable, EN size 3-6
  - Door closer approved in line with EN 11544, with CE mark
  - Escape door strike tested in compliance with the German guideline for electrical locking systems for doors along escape routes
  - Closing speed, latching speed and backcheck continuously adjustable
  - Suitable for fire and smoke protection doors
  - Recommended door width: at least 850 mm - max. 1,200 mm
  - Latch position continuously adjustable between 12 mm and 17 mm
  - Latch position adjustable horizontally between -3 mm and +6 mm
  - Latch bolt lock can be adjusted vertically in 4 mm increments (-4/ 0/ +4/ +8)
  - Escape door strike using FaFix®, adjustable by 2 mm
  - Suitable for left and right handed doors
  - Standard installation on hinge side

### Accessories:

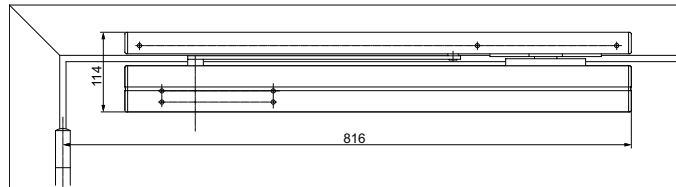
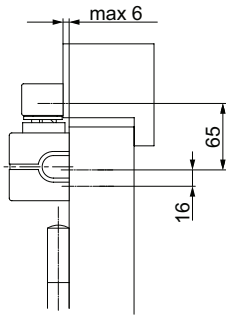
- 5 mm Spacer Plate (narrow rebate) DCFA01
- 15 mm Spacer Plate (wide rebate) DCFA02
- Replacement plate, 5 mm, for Drilling Template DCFA03
- Replacement plate, 15 mm, for External Drilling Template DCFA04
- Mounting / replacement plate, 5 mm, for Narrow Frame DCFA05
- Mounting / replacement plate, 15 mm, for Narrow Frame DCFA06

### Colour:

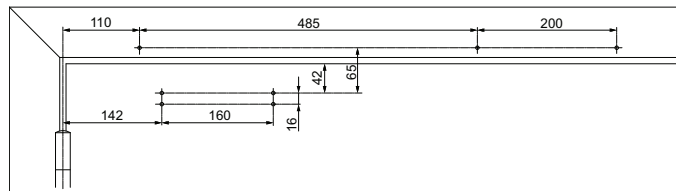
- Silver EV1

# DC700G-FT

## Dimensional drawings



Space required on doors for standard mounting on hinge side  
 Left handed shown in diagram  
 Right handed is the reverse



Installation dimensions in compliance with EN 1154 Supplementary Sheet 1; standard hinge-side mounting  
 Left handed shown in diagram  
 Right handed is the reverse

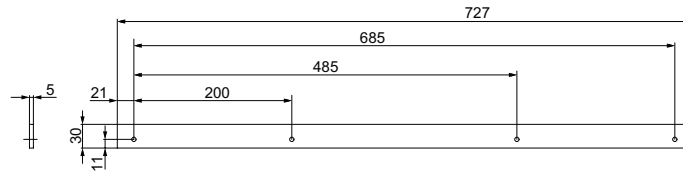
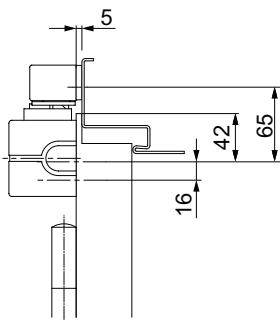
# DC700G-FT Accessories

**Notice**

The positions of the locking components on the guide rail and mounting plate are designed in such a way that escape door strikes and latch bolt are correctly aligned when installed in a flush position (flush-fitted doors).

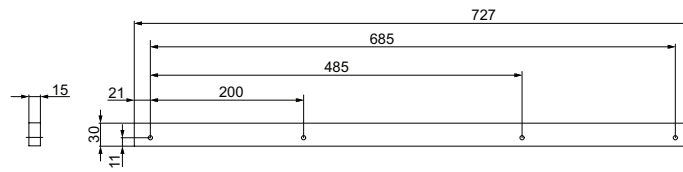
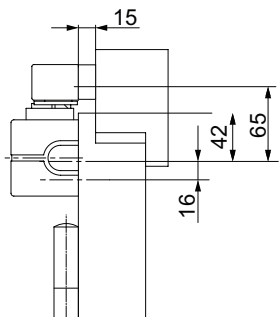
Adjustment option on electric strike (FaFix®) of +/- 1 mm and latch bolt lock of +6/-3 mm mean that smaller differences in measurements can be compensated for.

In the case of doors with an overlapping door leaf (narrow or wide rebate), the following spacer plates must be used to ensure that the guide rail and mounting plate are in a flush position when on top of one another.



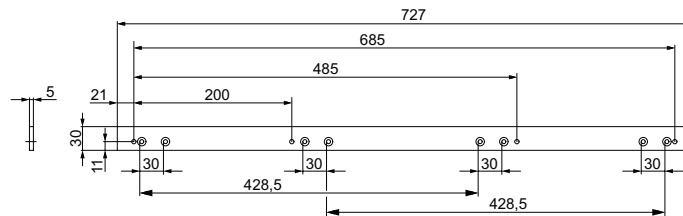
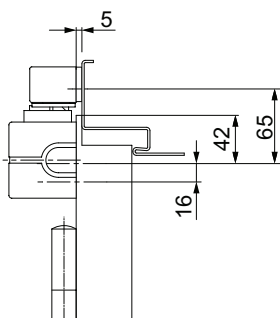
**Spacer Plate DCFA01**

For shimming guide rails over ASSA ABLOY drilling pattern. For use on narrow-rebate doors with a max. door leaf overlap of 8 mm.



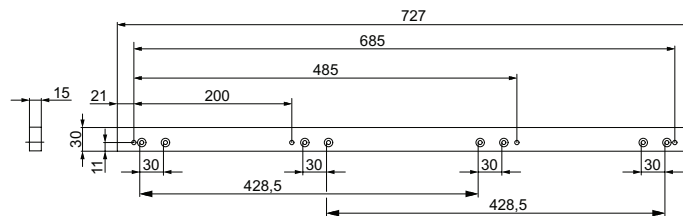
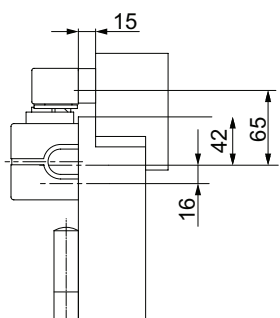
**Spacer Plate DCFA02**

For shimming guide rails over ASSA ABLOY drilling pattern. For use on wide-rebate doors with a max. door leaf overlap of 18 mm.



**Replacement Plate DCFA03**

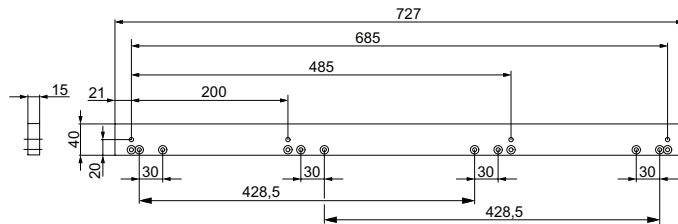
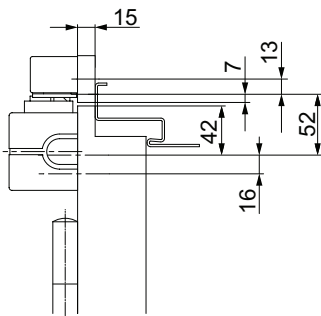
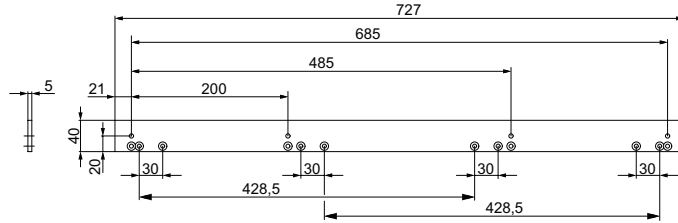
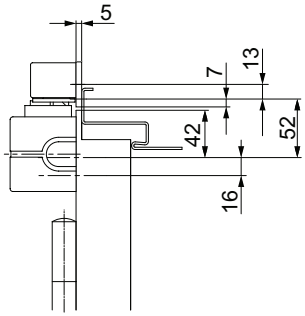
For mounting guide rail over existing drill holes from other manufacturers, for flush-fit doors and narrow rebate doors with door leaf overlap up to 8 mm.



**Replacement Plate DCFA04**

For mounting guide rail over existing drilling pattern by other manufacturers, for wide-rebate doors with door leaf overlap up to 18 mm.

# DC700G-FT Accessories



### Mounting and Replacement Plate DCFA05

Mounting plate for narrow frames. For mounting over ASSA ABLOY drilling pattern and over existing drill holes from other manufacturers when the guide rail is replaced. For use on narrow-rebate doors with a max. door leaf overlap of 8 mm

### Mounting and Replacement Plate DCFA06

Mounting plate for narrow frames. For mounting over ASSA ABLOY drilling pattern and over existing drill holes from other manufacturers when the guide rail is replaced. For use on wide-rebate doors with a max. door leaf overlap of 18 mm.

Description	Order no.	Description	Order no.
Security Door Closer Model DC700G-FT, complete, 24V DC, silver EV1		5 mm spacer plate for competitor's guide rail drilling template, silver EV1	
Security Door Closer Model DC700G-FT, complete, 12V DC, silver EV1		15 mm spacer plate for competitor's guide rail drilling template, silver EV1	
5 mm spacer plate for narrow-rebate doors, silver EV1		Mounting / replacement plate, 5 mm, for narrow frame, silver EV1	
15 mm spacer plate for wide-rebate doors, silver EV1		Mounting / replacement plate, 15 mm, for narrow frame, silver EV1	





## DC700G-CO



## ASSA ABLOY DC700G-CO

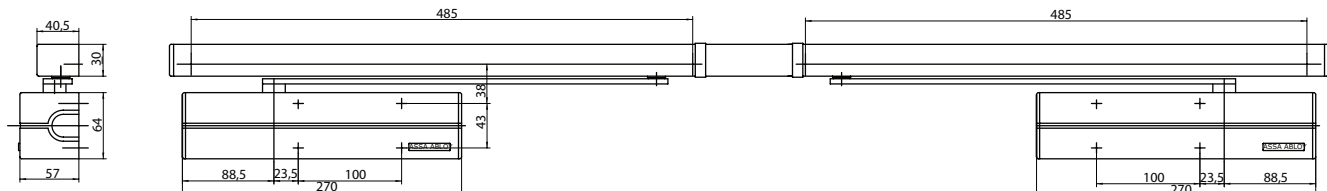
- Door closer with Cam-Motion technology with integrated mechanical door co-ordinator for double leaf doors
- Certified in compliance with EN 1158, size 3-6
- Mechanical door co-ordinator in continuous guide rail
- All components fully integrated into continuous guide rail
- Fulfils barrier-free building requirements (DDA/ CEN TR 15894)
- For fire and smoke protection doors with hinge distance up to 2800 mm

## Characteristics DC700G-CO

- Door co-ordinator based on wedge system
- Can be used for left and right-handed doors
- For standard mounting on hinge side
- Same drilling template as standard guide rails
- Guide rail height-adjustable by 2 mm for tolerance
- Axis continuously height-adjustable up to 14 mm
- Closing speed, latching speed and backcheck adjustable via front facing regulating valves
- Variable adjustable closing force
- Thermodynamic valves for consistent performance
- Effective backcheck and latching speed range adjustable
- Standard colours: silver EV1, white similar to RAL9016
- Customized finishes available on request



CE	ASSA ABLOY Sicherheitstechnik GmbH Bildstockstraße 20 72458 Albstadt		11			
	0432-CPD-160	EN 1158:1997+A1:2002	3	5	$\frac{6}{3}$	1 1 4
Dangerous substances: None						



# DC700G-CO

## Technical attributes

### Guide rail G-CO

Technical attributes	
Weight	4 kg
Height	30 mm
Depth	40,5 mm
Length	Depending on overall door width
Fire and smoke protection	Yes
Certified in compliance with	EN 1158
CE marking for building products	Yes

Facts for door closer see DC700

### The advantages at a glance

Our service for you: here you can see the individual advantages of our door closer models for your respective field of business.

Customer segment	Advantages
Project planners	<ul style="list-style-type: none"> <li>- Extensive range of uses: Fire and smoke protection doors as well as standard doors</li> <li>- Modern design</li> <li>- Compact design</li> <li>- Mechanical door co-ordinator for optimum functional reliability</li> </ul>
Builders	<ul style="list-style-type: none"> <li>- One drilling template overall</li> <li>- Simple, rapid installation and adjustment</li> <li>- Can be used for left and right handed doors for standard mounting on hinge side</li> <li>- Adjustable to nearly all door and frame types</li> <li>- Optimum reliability and service life for door co-ordinator</li> </ul>
Trade	<ul style="list-style-type: none"> <li>- Reduced inventory costs due to modular product range</li> </ul>
User	<ul style="list-style-type: none"> <li>- Mechanical door co-ordinator for optimum functional reliability</li> <li>- Optimum usage convenience thanks to controlled closing of door in correct order</li> </ul>

### Specifications for DC700G-CO

ASSA ABLOY door closer with Cam-Motion technology, continuous guide rail with mechanical door co-ordinator, EN size 3-6

- Variable adjustable closing force
- 14 mm height adjustable arm system for ease of fitting
- Closing speed, latching speed and backcheck adjustable via front facing regulating valves
- Can be used for left and right handed doors for standard mounting on hinge side

### Accessories:

- Guide rail G-CO
- Mounting plate A160 for guide rail G-CO
- Mech. hold-open device A158 (not for fire and smoke protection doors)

### Colour:

- Silver EV1
- White, similar to RAL9016
- Customized finish

You can find the complete specification on the internet at: (Link of your company's homepage)

# DC700G-CO

## Dimensional drawings

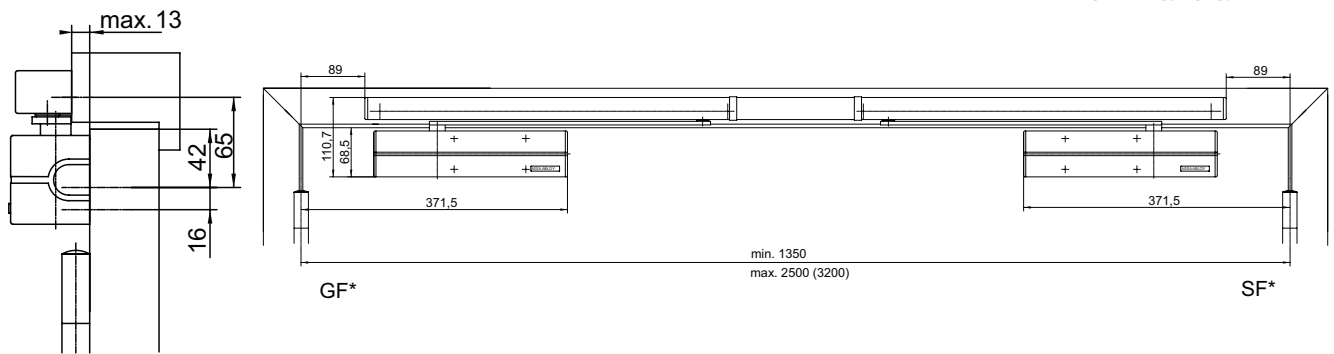
### Required space on doors

Left handed shown in diagram

Right handed is the reverse

SF\* = Inactive leaf

GF\* = Active leaf



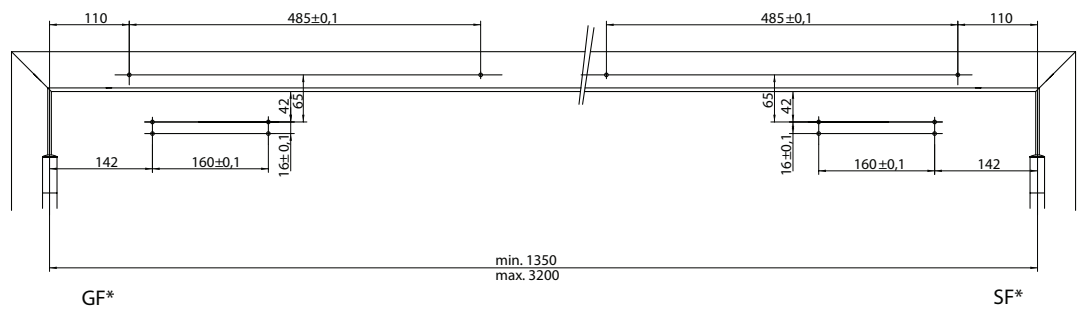
### Installation dimensions

Left handed shown in diagram

Right handed is the reverse

SF\* = Inactive leaf

GF\* = Active leaf

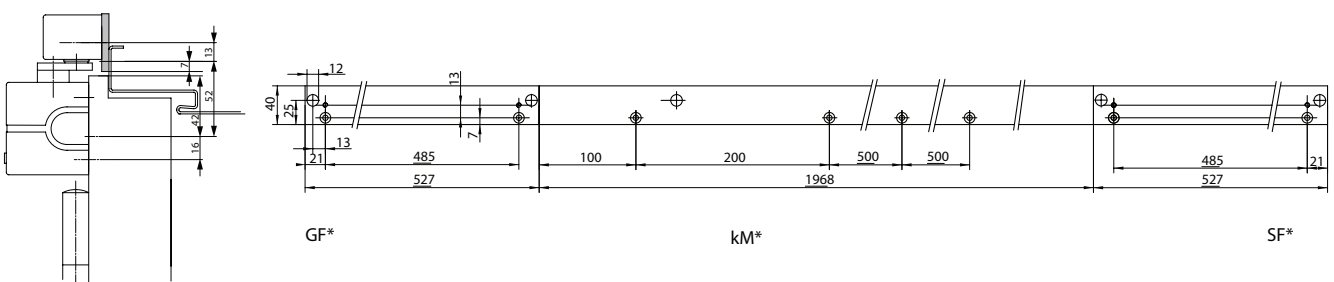


### Mounting Plate A160

SF\* = Inactive leaf

GF\* = Active leaf

kM\* = Middle section length can be shortened



## DC700G-CO

## Order placement information

Description	Order no.	Description	Order no.
Guide rail with door co-ordinator, doors up to 2500 mm wide, silver EV1		Guide rail with door co-ordinator, doors up to 3200 mm wide, customized finish	
Guide rail with door co-ordinator, doors up to 2500 mm wide, white, similar to RAL9016		Mounting Plate A160, doors up to 3200 mm wide, silver EV1	
Guide rail with door co-ordinator, doors up to 2500 mm wide, customized finish		Mounting Plate A160, doors up to 3200 mm wide, white, similar to RAL9016	
Guide rail with door co-ordinator, doors up to 3200 mm wide, silver EV1		Mounting Plate A160, doors up to 3200 mm wide, customized finish	
Guide rail with door co-ordinator, doors up to 3200 mm wide, white, similar to RAL9016		Mechanical Hold-Open Device A158	

## DC700G-CO-E



## ASSA ABLOY DC700G-CO-E

- Door closer with Cam-Motion technology with electro-mechanical hold-open device and integrated mechanical door co-ordinator for double leaf doors
- Certified in compliance with EN 1155/1158, size 3-6
- Mechanical door co-ordinator in continuous guide rail
- Hold-open angle continuously adjustable between 80° and 130°
- Hold-open point is traversable
- All components fully integrated into continuous guide rail
- Fulfils barrier-free building requirements (DDA/ CEN TR 15894)
- For fire and smoke protection doors with hinge distance up to 2800 mm

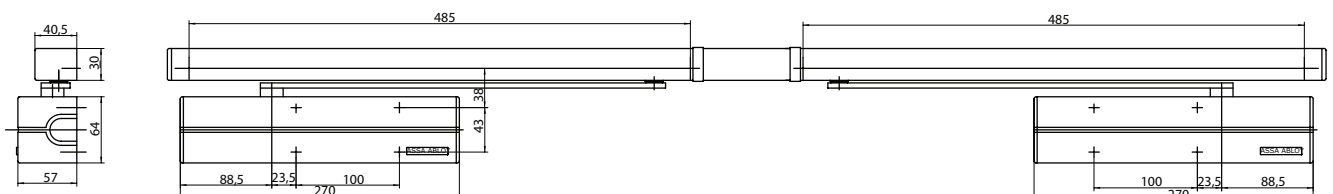
## Characteristics DC700G-CO-E

- Door co-ordinator based on wedge system
- Electro-mechanical hold-open device
- Continuously adjustable holding force
- Traversable hold-open device, continuously adjustable between ca. 80°-130°
- Flush or surface installation of wiring possible, 24 V DC
- Can be used for left and right-handed doors
- For standard mounting on hinge side
- Same drilling template as standard guide rails
- Guide rail height-adjustable by 2 mm for tolerance
- Axis continuously height-adjustable up to 14 mm
- Closing speed, latching speed and backcheck adjustable via front facing regulating valves
- Variable adjustable closing force
- Thermodynamic valves for consistent performance
- Effective backcheck and latching speed range adjustable
- Standard colours: silver EV1, white similar to RAL9016
- Customized finishes available on request



CE	ASSA ABLOY Sicherheitstechnik GmbH Bildstockstraße 20 72458 Albstadt		11			
	0432-CPD-152	EN 1155:1997+A1:2002	3	5	$\frac{6}{3}$	1 1 4
Dangerous substances: None						

CE	ASSA ABLOY Sicherheitstechnik GmbH Bildstockstraße 20 72458 Albstadt		11			
	0432-CPD-160	EN 1158:1997+A1:2002	3	5	$\frac{6}{3}$	1 1 4
Dangerous substances: None						



# DC700G-CO-E

## Technical attributes

### Guide rail G-CO-E

Technical attributes	
Power supply	24 V DC
Current consumption	2 x about 120 mA
Continuous duty	100%
Class of protection	IP 43
Weight	4,5 kg
Height	30 mm
Depth	40,5 mm
Length	Depending on overall door width
Fire and smoke protection	Yes
Certified in compliance with	EN 1155/1158
CE marking for building products	Yes

Facts for door closer see DC700

### The advantages at a glance

Our service for you: here you can see the individual advantages of our door closer models for your respective field of business.

Customer segment	Advantages
<b>Project planners</b>	<ul style="list-style-type: none"> <li>- Extensive range of uses: Fire and smoke protection doors as well as standard doors</li> <li>- Modern design</li> <li>- Compact design</li> <li>- Hold-open point is traversable</li> <li>- Mechanical door co-ordinator for optimum functional reliability</li> </ul>
<b>Builders</b>	<ul style="list-style-type: none"> <li>- One drilling template overall</li> <li>- Simple, rapid installation and adjustment</li> <li>- Can be used for left and right handed doors for standard mounting on hinge side</li> <li>- Adjustable to nearly all door and frame types</li> <li>- Optimum reliability and service life for door co-ordinator</li> </ul>
<b>Trade</b>	<ul style="list-style-type: none"> <li>- Reduced inventory costs due to modular product range</li> </ul>
<b>User</b>	<ul style="list-style-type: none"> <li>- Adjustable operating force, to meet door construction requirements and user need</li> <li>- Optimum usage convenience thanks to controlled closing of door in correct order</li> </ul>

### Specifications for DC700G-CO-E

ASSA ABLOY door closer with Cam-Motion technology, continuous guide rail with mechanical door co-ordinator, electro-mechanical hold-open device, EN size 3-6

- Variable adjustable closing force
- 14 mm height adjustable arm system for ease of fitting
- Closing speed, latch speed and backcheck adjustable via front facing regulating valves
- Can be used for left and right handed doors for standard mounting on hinge side
- Hold-open angle continuously adjustable between 80° and 130°, holding force adjustable
- Hold-open device is traversable

### Accessories:

- Guide rail G-CO-E
- Mounting plate A160 for guide rail G-CO-E
- Smoke detector station RZ100
- Ceiling smoke detector ORS 142 / TDS 247
- Smoke protection switch
- Optical smoke detector 60060
- Flush-mounted or surface-mounted release button

### Colour:

- Silver EV1
- White, similar to RAL9016
- Customized finish

You can find the complete specification on the internet at: (Link of your companies homepage)

# DC700G-CO-E

## Dimensional drawings

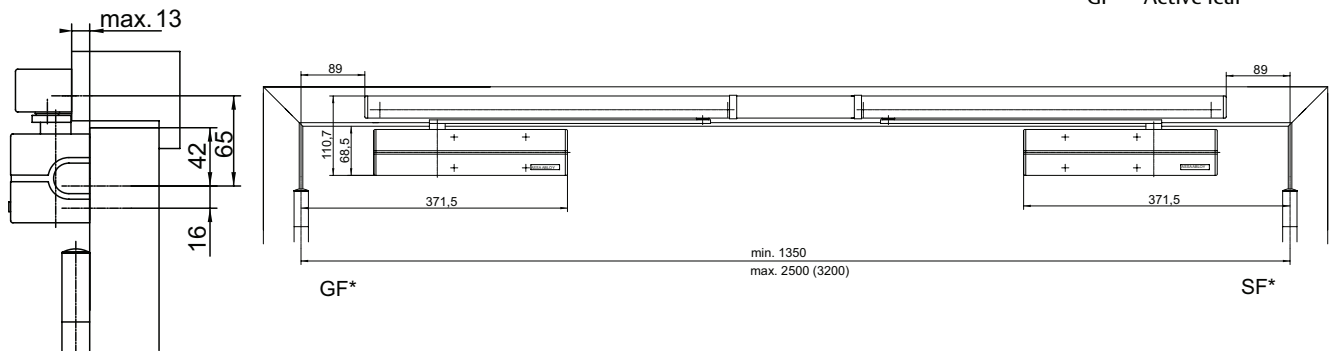
### Required space on doors

Left handed shown in diagram

Right handed is the reverse

SF\* = Inactive leaf

GF\* = Active leaf



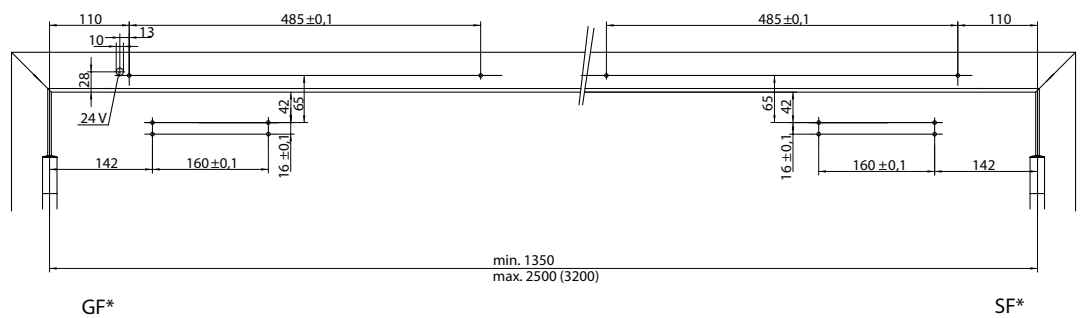
### Installation dimensions

Left handed shown in diagram

Right handed is the reverse

SF\* = Inactive leaf

GF\* = Active leaf

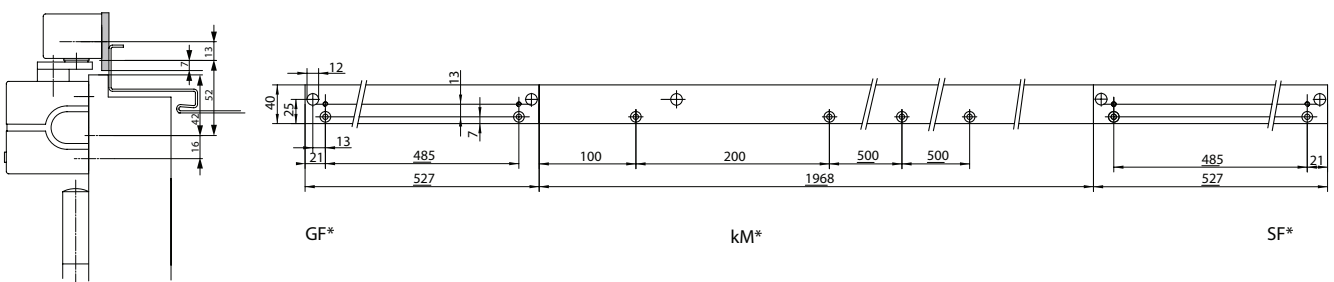


### Mounting Plate A160

SF\* = Inactive leaf

GF\* = Active leaf

kM\* = Middle section length can be shortened





## DC700G-CO-E

## Order placement information

Description	Order no.	Description	Order no.
Guide rail with door co-ordinator, hold-open device on both sides. Doors up to 2500 mm wide, silver EV1		Guide rail with door co-ordinator, hold-open device on one side. Doors up to 2500 mm wide, customized finish	
Guide rail with door co-ordinator, hold-open device on both sides. Doors up to 2500 mm wide, white, similar to RAL9016		Guide rail with door co-ordinator, hold-open device on one side. Doors up to 3200 mm wide, silver EV1	
Guide rail with door co-ordinator, hold-open device on both sides. Doors up to 2500 mm wide, customized finish		Guide rail with door co-ordinator, hold-open device on one side. Doors up to 3200 mm wide, white, similar to RAL9016	
Guide rail with door co-ordinator, hold-open device on both sides. Doors up to 3200 mm wide, silver EV1		Guide rail with door co-ordinator, hold-open device on one side. Doors up to 3200 mm wide, customized finish	
Guide rail with door co-ordinator, hold-open device on both sides. Doors up to 3200 mm wide, white, similar to RAL9016		Mounting Plate A160, doors up to 3200 mm wide, silver EV1	
Guide rail with door co-ordinator, hold-open device on both sides. Doors up to 3200 mm wide, customized finish		Mounting Plate A160, doors up to 3200 mm wide, white, similar to RAL9016	
Guide rail with door co-ordinator, hold-open device on one side. Doors up to 2500 mm wide, silver EV1		Mounting Plate A160, doors up to 3200 mm wide, customized finish	
Guide rail with door co-ordinator, hold-open device on one side. Doors up to 2500 mm wide, white, similar to RAL9016			



# DC700G-CO-S

## Technical attributes

### Guide rail G-CO-S

Technical attributes	
Power supply	230 V supply voltage
Current consumption	2 x about 120 mA
Continuous duty	100%
Class of protection	IP 20
Weight	5 kg
Height	30 mm
Depth	58 mm
Length	Depending on overall door width
Fire and smoke protection	Yes
Certified in compliance with	Guidelines for arrestor systems
Certified in compliance with	EN 1155/1158

Facts for door closer see DC700

### The advantages at a glance

Our service for you: here you can see the individual advantages of our door closer models for your respective field of business.

Customer segment	Advantages
<b>Project planners</b>	<ul style="list-style-type: none"> <li>- Extensive range of uses: fire, smoke protection and standard doors</li> <li>- Modern design</li> <li>- Compact design</li> <li>- Hold-open point is traversable</li> <li>- Mechanical door co-ordinator for optimum functional reliability</li> <li>- Harmonious appearance thanks to smoke detector fully integrated into guide rail</li> </ul>
<b>Builders</b>	<ul style="list-style-type: none"> <li>- One drilling template overall</li> <li>- Simple, rapid installation and adjustment</li> <li>- Can be used for left and right handed doors for standard mounting on hinge side</li> <li>- Adjustable to nearly all door and frame types</li> <li>- Optimum reliability and service life for door co-ordinator</li> </ul>
<b>Trade</b>	<ul style="list-style-type: none"> <li>- Reduced inventory costs due to modular product range</li> </ul>
<b>User</b>	<ul style="list-style-type: none"> <li>- Automatic alarm re-set</li> <li>- Status displayed on LED: operational mode, alarm, maintenance</li> <li>- Optimum usage convenience thanks to controlled closing of door in correct order</li> </ul>

### Specification for DC700G-CO-S

ASSA ABLOY door closer with Cam-Motion technology, continuous guide rail with mechanical door co-ordinator, electro-mechanical hold-open device, integrated smoke detector and 230V power supply, EN size 3-6

- Variable adjustable closing force
- 14 mm height adjustable arm system for ease of fitting
- Closing speed, latch speed and backcheck adjustable via front facing regulating valves
- Can be used for right and left handed doors for standard mounting on hinge side
- Hold-open angle continuously adjustable between 80° and 130°, holding force adjustable
- Hold-open device is traversable
- Integrated smoke detector with contamination indicator and alarm threshold monitoring

### Accessories:

- Guide rail G-CO-S
- Mounting plate A159 for guide rail G-CO-S
- Ceiling smoke detector ORS 142 / TDS 247
- Flush-mounted or surface-mounted release button

### Colour:

- Silver EV1
- White, similar to RAL9016
- Customized finish

You can find the complete specification on the internet at: (Link of your company's homepage)

# DC700G-CO-S

## Dimensional drawings

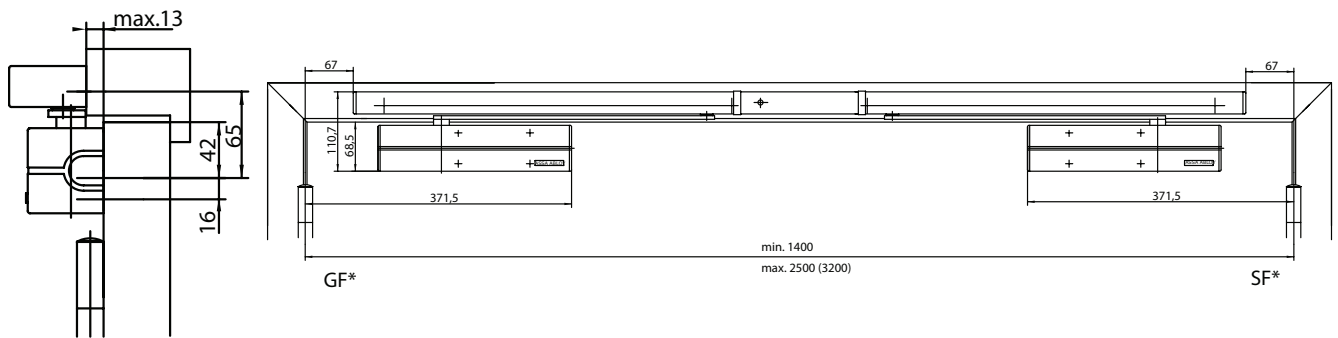
### Required space on doors

Left handed shown in diagram

Right handed is the reverse

SF\* = Inactive leaf

GF\* = Active leaf



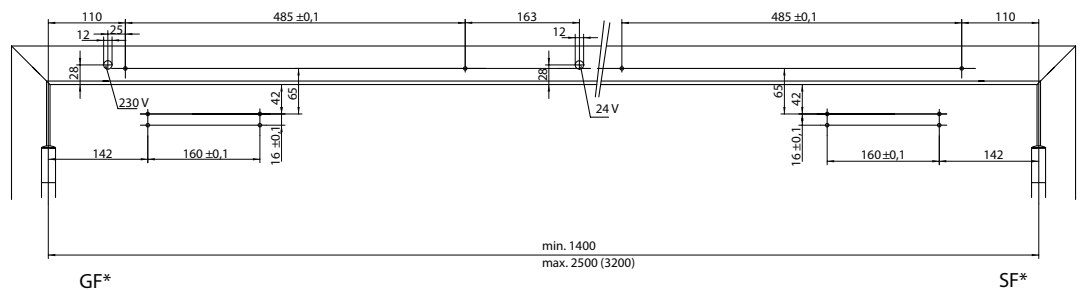
### Installation dimensions

Left handed shown in diagram

Right handed is the reverse

SF\* = Inactive leaf

GF\* = Active leaf

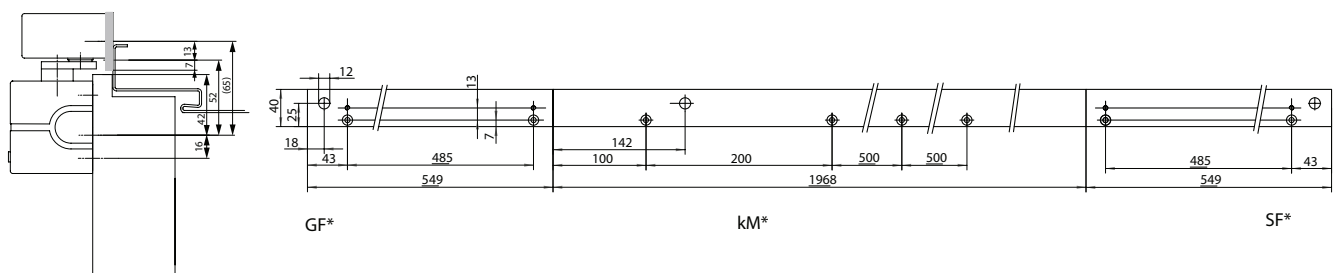


### Mounting Plate A159

SF\* = Inactive leaf

GF\* = Active leaf

kM\* = Middle section length can be shortened



## DC700G-CO-S

## Order placement information

Description	Order no.	Description	Order no.
Guide rail with door co-ordinator, smoke detector, hold-open device on both sides, doors up to 2500 mm wide, silver EV1		Guide rail with door co-ordinator, smoke detector, hold-open device on one side, doors up to 2500 mm wide, customized finish	
Guide rail with door co-ordinator, smoke detector, hold-open device on both sides, doors up to 2500 mm wide, white, similar to RAL9016		Guide rail with door co-ordinator, smoke detector, hold-open device on one side, doors up to 3200 mm wide, silver EV1	
Guide rail with door co-ordinator, smoke detector, hold-open device on both sides, doors up to 2500 mm wide, customized finish		Guide rail with door co-ordinator, smoke detector, hold-open device on one side, doors up to 3200 mm wide, white, similar to RAL9016	
Guide rail with door co-ordinator, smoke detector, hold-open device on both sides, doors up to 3200 mm wide, silver EV1		Guide rail with door co-ordinator, smoke detector, hold-open device on one side, doors up to 3200 mm wide, customized finish	
Guide rail with door co-ordinator, smoke detector, hold-open device on both sides, doors up to 3200 mm wide, white, similar to RAL9016		Mounting Plate DCA159, doors up to 3200 mm wide, silver EV1	
Guide rail with door co-ordinator, smoke detector, hold-open device on both sides, doors up to 3200 mm wide, customized finish		Mounting Plate DCA159, doors up to 3200 mm wide, white, similar to 9016	
Guide rail with door co-ordinator, smoke detector, hold-open device on one side, doors up to 2500 mm wide, silver EV1		Mounting Plate DCA159, doors up to 3200 mm wide, customized finish	
Guide rail with door co-ordinator, smoke detector, hold-open device on one side, doors up to 2500 mm wide, white, similar to RAL9016			

## DC700 with G460



## ASSA ABLOY DC700 with G460

- Door closer with Cam-Motion technology and guide rail with electro-mechanical hold open device for single leaf doors
- Certified in compliance with EN1155, size 3-6
- Hold open angle continuously adjustable between 70°-130°
- For fire and smoke protection doors up to 1400 mm

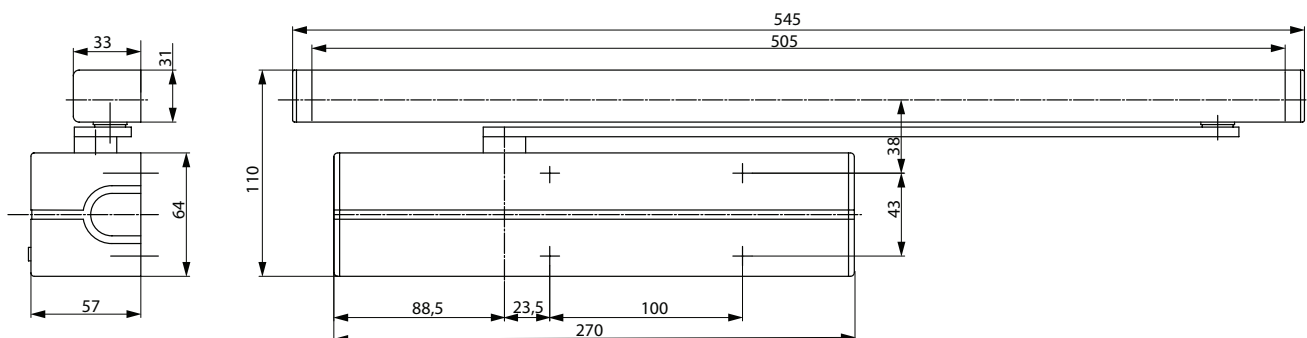
## Characteristics DC700\_G460

- Electro-mechanical hold open device
- Continuously adjustable hold open force
- Hold open angle adjustable between 70°-130°
- Door opening angle up to 130°
- Can be used for left and right handed doors
- Standard mounting position on hinge side and non-hinge side
- Axis continuously height adjustable up to 14 mm
- Large range of applications
- Standard colours: silver EV1; white, similar to RAL9016; brown, similar to RAL8014; black, similar to RAL9005
- Customized finishes available on request



CE	Abloy Oy PO Box 108 80101 Joensuu, Finland					10
	0432-BPR-0050	EN1155:1997+A1:2002	3	8	$\frac{6}{3}$	1 1 3

CE	Abloy OY PO Box 108 80101 Joensuu, Finland					10
	1162-CPD-0464	EN 1154:1996+A1:2002	3	8	$\frac{6}{3}$	1 1 4



# DC700 with G460

## Technical attributes

### Guide rail G460

Technical attributes	
Power supply	24 V DC
Max. consumption	60 mA
Door width up to	1400 mm
Hold open angle	70° - 130°
Weight	1,2 kg
Height	31 mm
Depth	33 mm
Length	545 mm
Certified in compliance with	EN 1155
CE marking for building products	yes

Facts for door closer see DC700

### The advantages at a glance

Our service for you: here you can see the individual advantages of our door closer models for your respective field of business.

Customer segment	Advantages
<b>Project planners</b>	<ul style="list-style-type: none"> <li>- Extensive range of uses: Fire and smoke protection doors as well as standard doors</li> <li>- Modern design</li> <li>- Compact design</li> </ul>
<b>Builders</b>	<ul style="list-style-type: none"> <li>- Adjustable to nearly any door and frame types</li> <li>- Quick and easy installation</li> <li>- Quickly and easily adjustable</li> <li>- Suitable for left and right handed doors for standard mounting on hinge and non hinge side</li> </ul>
<b>Trade</b>	<ul style="list-style-type: none"> <li>- Reduced inventory costs due to modular product range</li> <li>- One single product suitable for a large variety of mounting positions</li> <li>- One single product suitable for a large variety of mounting positions</li> </ul>
<b>User</b>	<ul style="list-style-type: none"> <li>- Adjustable operating force, to meet door construction requirements and user need</li> </ul>

### Specification for DC700 with G460

ASSA ABLOY door closer DC700 with Cam-Motion technology, guide rail G460 with electro-mechanical hold-open device, 24 V DC

- Power supply 24 V DC
- Hold open force continuously adjustable, EN size 3 – 6
- Hold open angle adjustable between 70°-130°
- Can be used for left and right handed doors
- Standard mounting position on hinge side and non-hinge side
- Axis continuously height adjustable up to 14 mm
- Large range of applications
- With technical approval for different smoke detection systems

### Accessories:

- Mounting plate A115
- Angle bracket A116
- Power supply
- Smoke protection detector
- Flush mounted or surface mounted release button

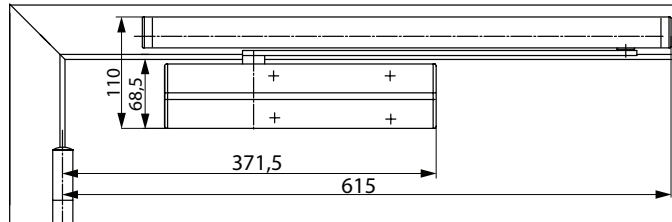
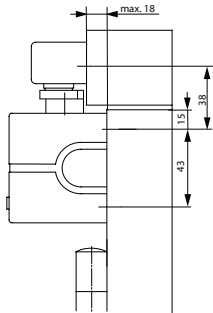
### Colour:

- Silver EV1
- White, similar to RAL9016
- Brown, similar to RAL8014
- Black, similar to RAL9005
- Customized finish

You can find the complete specification on the internet at: (Link of your companies homepage)

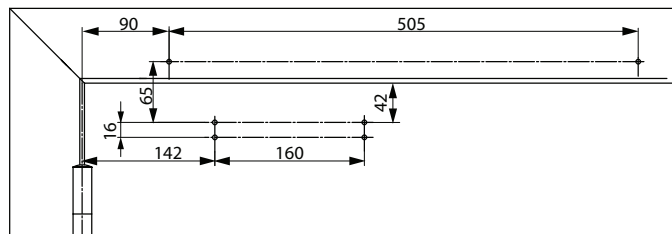
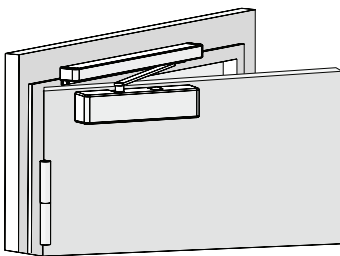
# DC700 with G460

## Dimensional drawings



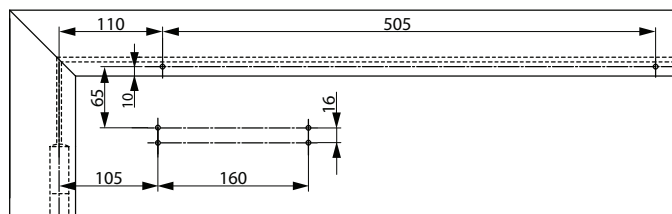
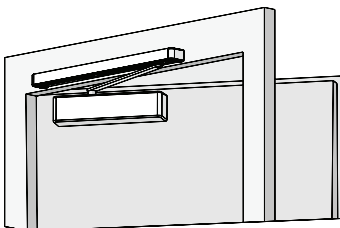
Regular mounting on hinge side

Left handed shown in diagram  
Left handed door is the reverse



Installation dimensions with mounting plate for standard mounting on hinge side

In compliance with EN 1154, Supplement 1, or for doors where direct mounting is not possible.  
Left handed shown in diagram  
Right handed is the reverse



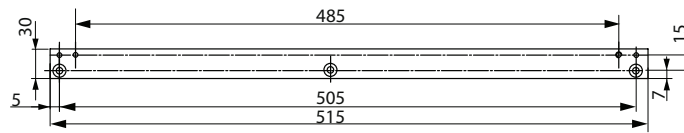
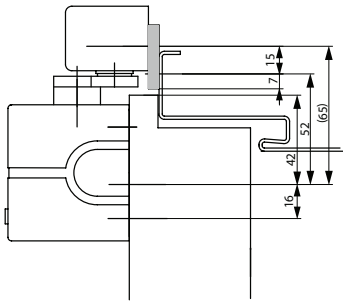
Installation dimensions with mounting plate for standard mounting on non-hinge side

For doors where direct mounting is not possible  
Right handed door shown in diagram  
Left handed door is the reserve

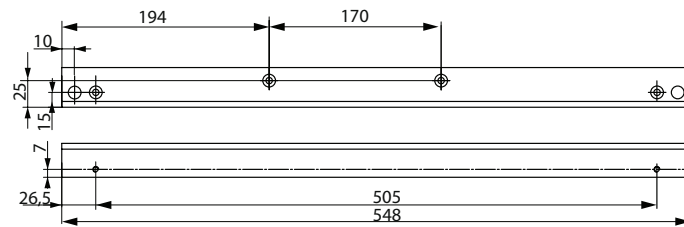
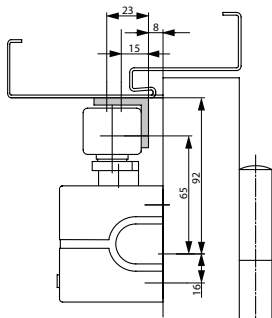


# DC700 with G460

## Dimensional drawings



**Mounting plate A115**  
For guide rail G460



**Angle bracket A116**  
For guide rail G460 non-hinge side mounting.

Description	Order no.
Guide rail G460 with electro-mechanical hold open device, silver EV1	
Guide rail G460 with electro-mechanical hold open device, white, similar to RAL9016	
Guide rail G460 with electro-mechanical hold open device, brown, similar to RAL8014	
Guide rail G460 with electro-mechanical hold open device, black, similar to RAL 9005	

Description	Order no.
Guide rail G460 with electro-mechanical hold open device, customized finish	
Mounting plate A115, silver EV1	
Mounting plate A115, customized finish	
Angle bracket A116, silver EV1	
Angle bracket A116, customized finish	

## DC700 with G461



## ASSA ABLOY DC700 with G461

- Door closer with Cam-Motion technology and guide rail
- Certified in compliance with EN 1158, size 3-6
- Operates independently of door closers and offers best possible safety and reliability
- For fire and smoke protection double leaf doors, hinge distance 1250 - 2800 mm

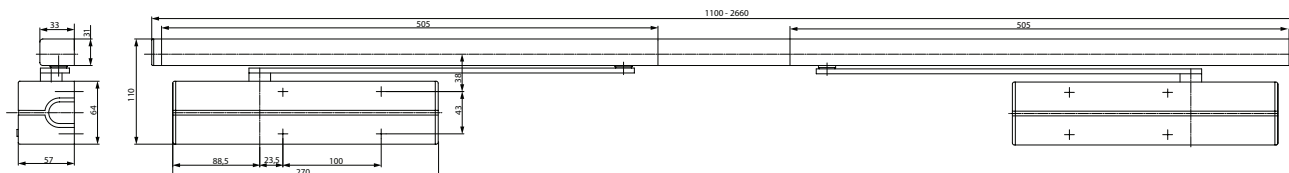
## Characteristics DC700 with G461

- Integrated mechanical co-ordinator for double leaf doors
- Correct closing sequence guaranteed for double leaf doors, inactive leaf closes before active leaf start to close
- Active leaf could stay open in any selected angle up to 150° when inactive leaf is opened
- Standard mounting position on hinge side and non-hinge side
- Non-hinge side mounting requires hook arm G120
- Axis continuously height adjustable up to 14 mm
- Large range of applications
- Standard colours: silver, white similar to RAL9016, brown similar to RAL8014, black similar to RAL9005
- Customized finishes available on request



CE	Abloy Oy PO Box 108 80101 Joensuu, Finland	10
	0432-BPR-0049 EN1158:1997+A1:2002	3 8 $\frac{6}{3}$ 1 1 3

CE	Abloy OY PO Box 108 80101 Joensuu, Finland	10
	1162-CPD-0464 EN 1154:1996+A1:2002	3 8 $\frac{6}{3}$ 1 1 4



# DC700 with G461

## Technical attributes

### Guide rail G461

Technical attributes	
Hinge distance	1250 - 2800 mm
Fire and smoke protection	Yes
Max. opening angle of active leaf (hinge side / non-hinge side)	150° / 120°
Max. opening angle of inactive leaf (hinge side / non-hinge side)	170° / 120°
Weight	2,6 kg
Height	31 mm
Depth	33 mm
Length	Depends on hinge distance
Certified in compliance with	EN 1158
CE mark for building products	Yes

Facts for door closer see DC700

### The advantages at a glance

Customer segment	Advantages
<b>Project planners</b>	- Modern design - Compact design
<b>Builders</b>	- Adjustable to nearly any door and frame types - Quick and easy installation - Quickly and easily adjustable - Suitable for hinge and non-hinge side installations
<b>Trade</b>	- Reduced inventory costs due to modular product range - One single product suitable for a large variety of mounting positions
<b>User</b>	- Correct closing sequence guaranteed in every situation

Our service for you: here you can see the individual advantages of our door closer models for your respective field of business.

You can find the complete specification on the internet at: (Link of your company's homepage)

### Specification for DC700 with G461

ASSA ABLOY guide rail with mechanical co-ordinator for double leaf doors used with DC700 Cam-Motion door closers

- Hinge distance 1250 - 2800 mm
- Active leaf could stay open in any selected angle up to 150° when inactive leaf is opened
- Standard mounting position on hinge side and non-hinge side
- Non-hinge side mounting requires hook arm G120
- Axis continuously height adjustable up to 14 mm
- Large range of applications

### Accessories:

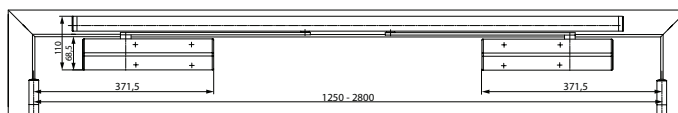
- Mounting plate A115
- Angle bracket A116
- Angle bracket A117
- Hook arm G120 for non-hinge side installations
- Carry bar

### Colour:

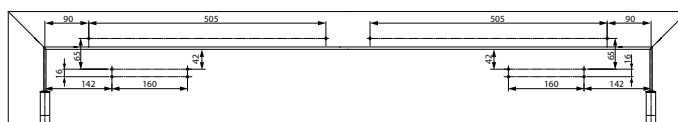
- Silver EV1
- White, similar to RAL9016
- Brown, similar to RAL8014
- Black, similar to RAL9005
- Customized finish

# DC700 with G461

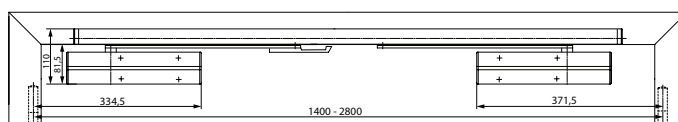
## Dimensional drawings



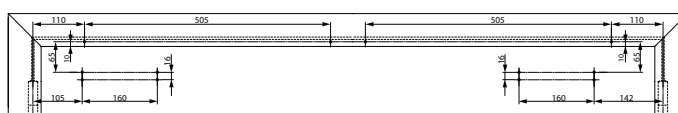
Regular mounting on hinge side  
 Right handed door is active leaf  
 Left handed door is inactive leaf



Installation dimensions with mounting plate for standard mounting on hinge side  
 Right handed door is active leaf  
 Left handed door is inactive leaf



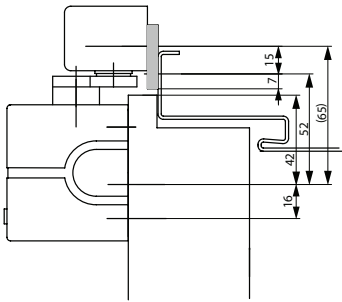
Regular mounting on non-hinge side  
 Right handed door is active leaf  
 Left handed door is inactive leaf



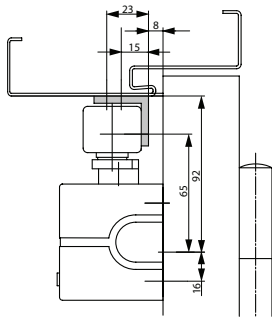
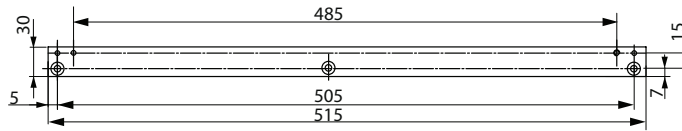
Installation dimensions with mounting plate for standard mounting on hinge side  
 Right handed door is active leaf  
 Left handed door is inactive leaf

# DC700 with G461

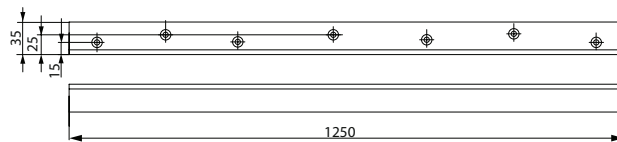
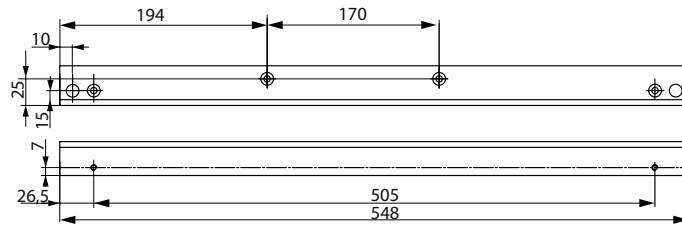
## Dimensional drawings



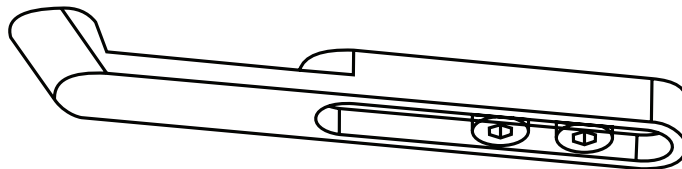
**Mounting plate A115**  
For guide rail G461



**Angle bracket A116**  
For guide rail G461 non-hinge side mounting



**Angle bracket A117**  
Middle bracket for guide rail G461 non-hinge side mounting



**Hook arm G120**  
For double leaf doors non-hinge side mounting

Description	Order no.
Guide rail G461 with mechanical co-ordinator, silver EV1	
Guide rail G461 with mechanical co-ordinator, white, similar to RAL9016	
Guide rail G461 with mechanical co-ordinator, brown, similar to RAL8014	
Guide rail G461 with mechanical co-ordinator, black, similar to RAL 9005	
Guide rail G461 with mechanical co-ordinator, customized finish	
Mounting plate A115, silver EV1	

Description	Order no.
Mounting plate A115, customized finish	
Angle bracket A116, silver EV1	
Angle bracket A116, customized finish	
Angle bracket A117, silver EV1	
Angle bracket A117, customized finish	
Hook arm G120, silver EV1	
Hook arm G120, white, similar to RAL9016	
Hook arm G120, brown, similar to RAL8014	
Hook arm G120, black, similar to RAL 9005	
Hook arm G120, customized finish	

## DC700 with G462 / G464



## ASSA ABLOY G462 / G464

- Door closer with Cam-Motion technology and guide rail with integrated mechanical co-ordinator and two electro-mechanical hold open devices for double leaf doors
- Certified in compliance with EN 1155 and EN 1158, size 3-6
- Operates independently of door closers and offers best possible functions, safety and reliability
- For fire and smoke protection double leaf doors, hinge distance 1250 - 2800 mm

## Characteristics G462 / G464

- Hold open angle of inactive door leaf adjustable between 70° - 130°
- Continuously adjustable hold open force
- Correct closing sequence of the door leaves secured by mechanical co-ordinator
- Standard installation types on the hinge side and non-hinge side
- Non-hinge side mounting requires hook arm G120
- Axis continuously height adjustable up to 14 mm
- Large range of applications
- Standard colours: silver, white similar to RAL9016, brown similar to RAL8014, black similar to RAL9005
- Customized finishes available on request

## Characteristics G462

- Integrated mechanical co-ordinator with two electro-mechanical hold open devices
- Possible to keep both door leaves open

## Characteristics G464

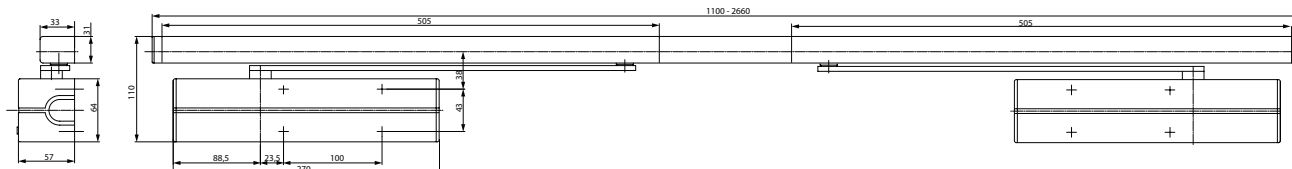
- Integrated mechanical co-ordinator with one electro-mechanical hold open device
- Possible to keep both door leaves open



CE	Abloy Oy PO Box 108 80101 Joensuu, Finland	10
	0432-BPR-0050 EN1155:1997+A1:2002	3 8 $\frac{6}{3}$ 1 1 3

CE	Abloy Oy PO Box 108 80101 Joensuu, Finland	10
	0432-BPR-0049 EN1158:1997+A1:2002	3 8 $\frac{6}{3}$ 1 1 3

CE	Abloy Oy PO Box 108 80101 Joensuu, Finland	10
	1162-CPD-0464 EN 1154:1996+A1:2002	3 8 $\frac{6}{3}$ 1 1 4



# DC700 with G462 / G464

## Technical attributes

### Guide rail G462 / G464

Technical attributes	
Power supply	24 V DC
Current consumption	60 mA (G464); 120 mA (G462)
Hinge distance	1250 - 2800 mm
Fire and smoke protection	Yes
Max. opening angle of active leaf (hinge side / non-hinge side)	150° / 120°
Hold open angle of inactive leaf (hinge side / non-hinge side)	70° - 130° / 70° - 120°
Weight	2,9 kg (G464); 3,1 kg (G462)
Height	31 mm
Depth	33 mm
Length	Depends on hinge distance
Certified in compliance with	EN 1155 and EN 1158
CE marking for building products	Yes

Facts for door closer see DC700

### The advantages at a glance

Customer segment	Advantages
<b>Project planners</b>	<ul style="list-style-type: none"> <li>- Extensive range of uses: Fire and smoke protection doors</li> <li>- Modern design</li> <li>- Compact design</li> <li>- Applications where both door leaves need to keep open</li> </ul>
<b>Builders</b>	<ul style="list-style-type: none"> <li>- Adjustable to nearly any door and frame types</li> <li>- Quick and easy installation</li> <li>- Quickly and easily adjustable</li> <li>- Suitable for hinge and non-hinge side installations</li> </ul>
<b>Trade</b>	<ul style="list-style-type: none"> <li>- Reduced inventory costs due to modular product range</li> <li>- One single product suitable for a large variety of mounting positions</li> </ul>
<b>User</b>	<ul style="list-style-type: none"> <li>- Correct closing sequence guaranteed in every situation</li> <li>- Adjustable operating force, to meet door construction requirements and user need</li> </ul>

Our service for you: here you can see the individual advantages of our door closer models for your respective field of business.

You can find the complete specification on the internet at: [\(Link of your companies homepage\)](#)

### Specification for G464

- ASSA ABLOY guide rail with mechanical co-ordinator and electro-mechanical hold-open device for double leaf doors used with DC700 Cam-Motion door closers
- Hinge distance 1250 - 2800 mm
  - Possible to keep both door leaves open
  - Hold open angle of inactive leaf adjustable between 70° - 130°
  - Continuously adjustable hold open force
  - Active door leaf could stay open in any selected angle up to 150° when inactive leaf is opened
  - Correct closing sequence guaranteed for double leaf doors, inactive leaf closes before active leaf start to close
  - Standard mounting position on hinge side and non-hinge side
  - Non-hinge side mounting requires hook arm G120
  - Axis continuously height adjustable up to 14 mm
  - Large range of applications
  - Possible to keep active leaf or both door leaves open (G462)
  - Possible to keep both door leaves open (G464)

### Accessories:

- Mounting plate A115
- Angle bracket A116
- Angle bracket A117
- Hook arm G120 for non-hinge side mounting
- Carry bar
- Power supply
- Smoke protection detector
- Flush mounted or surface mounted release button

### Colour:

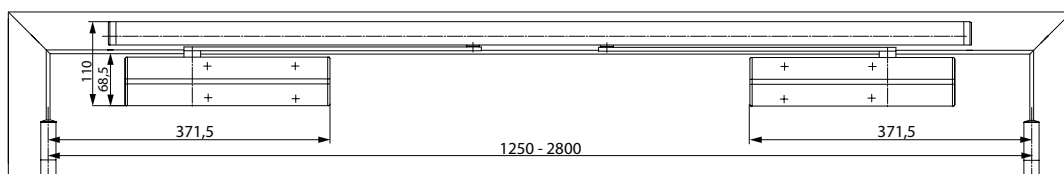
- Silver EV1
- White, similar to RAL9016
- Brown, similar to RAL8014
- Black, similar to RAL9005
- Customized finish

# DC700 with G462 / G464

## Dimensional drawings

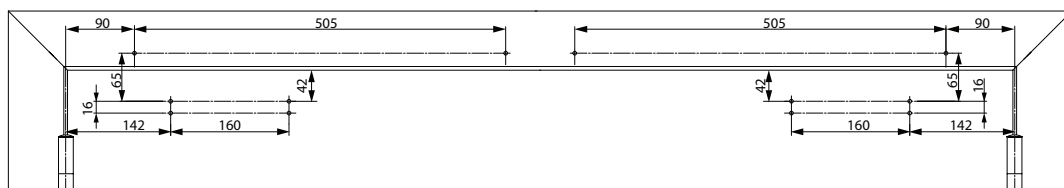
### Regular mounting on hinge side

Right handed door is active leaf  
 Left handed door is inactive leaf



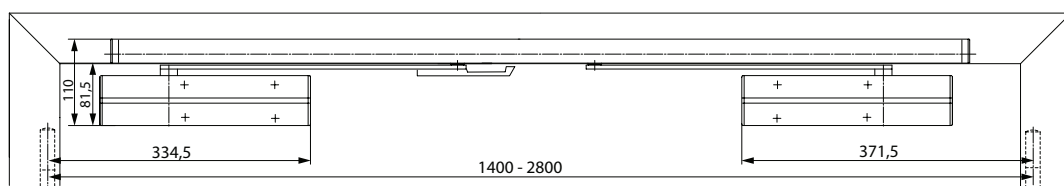
### Installation dimensions with mounting plate for standard mounting on hinge side

Right handed door is active leaf  
 Left handed door is inactive leaf



### Regular mounting on non-hinge side

Right handed door is active leaf  
 Left handed door is inactive leaf



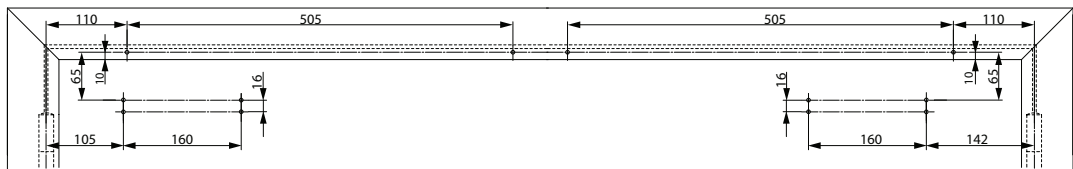


# DC700 with G462 / G464 Accessories

Installation dimensions with mounting plate for standard mounting on hinge side

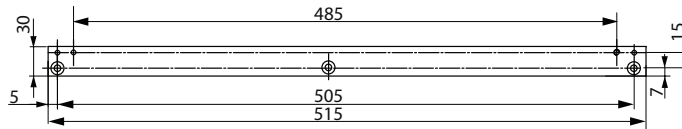
Right handed door is active leaf

Left handed door is inactive leaf



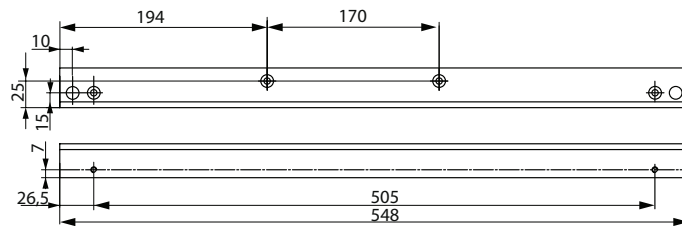
### Mounting plate A115

For guide rail G464



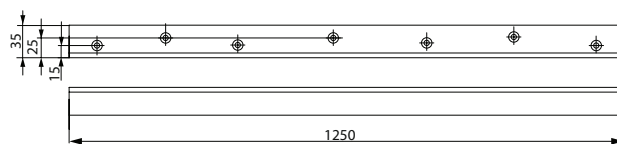
### Angle bracket A116

For guide rail G464 non-hinge side mounting



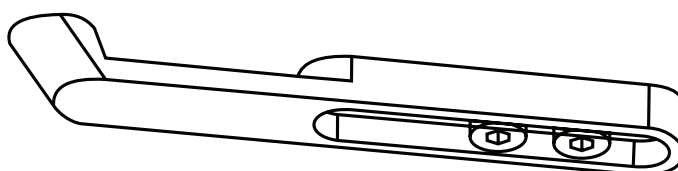
### Angle bracket A117

Middle bracket for guide rail G464 non-hinge side mounting

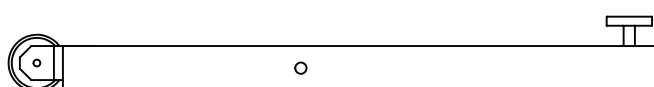


## DC700 with G462 / G464

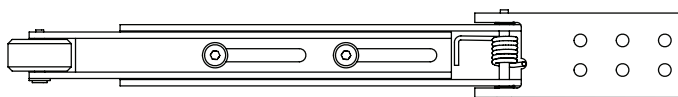
### Accessories



**Hook arm G120**  
For double leaf doors  
non-hinge side mounting



**Carry bar A101**  
Enables to correct opening sequence of the door.



**Carry bar A102**  
Enables to correct opening sequence of the door.  
Used in opening side installations.

Description	Order no.	Description	Order no.
Guide rail G462 with mechanical co-ordinator and two electro-mechanical hold open devices, silver EV1		Guide rail G464 with mechanical co-ordinator and electro-mechanical hold open device, black, similar to RAL 9005	
Guide rail G462 with mechanical co-ordinator and two electro-mechanical hold open devices, white, similar to RAL9016		Guide rail G462 with mechanical co-ordinator and electro-mechanical hold open device, customized finish	
Guide rail G462 with mechanical co-ordinator and two electro-mechanical hold open devices, brown, similar to RAL8014		Mounting plate A115, silver EV1	
Guide rail G462 with mechanical co-ordinator and two electro-mechanical hold open devices, black, similar to RAL 9005		Mounting plate A115, customized finish	
Guide rail G462 with mechanical co-ordinator and two electro-mechanical hold open devices, customized finish		Angle bracket A116, silver EV1	
Guide rail G464 with mechanical co-ordinator and electro-mechanical hold open device, silver EV1		Angle bracket A116, customized finish	
Guide rail G464 with mechanical co-ordinator and electro-mechanical hold open device, white, similar to RAL9016		Angle bracket A117, silver EV1	
Guide rail G464 with mechanical co-ordinator and electro-mechanical hold open device, brown, similar to RAL8014		Angle bracket A117, customized finish	
		Hook arm G120, silver EV1	
		Hook arm G120, white, similar to RAL9016	
		Hook arm G120, brown, similar to RAL8014	
		Hook arm G120, black, similar to RAL 9005	
		Hook arm G120, customized finish	
		Carry bar A101, silver	
		Carry bar A102, silver	





#### ASSA ABLOY DC500

- Door closer with Cam-Motion technology and height-adjustable guide rail G195 or standard guide rail G193
- Fulfills barrier-free building requirements (DDA/ CEN TR 15894)
- Certified in compliance with EN 1154, size 1-4
- Suitable for fire and smoke protection doors
- For single action doors up to 1100 mm wide
- Can be used in four installation types: hinge and non-hinge sides in standard and frame installation



CE	Abloy OY	10
	PO Box 108 80101 Joensuu, Finland	
1162-CPD-0464	EN 1154:1996+A1:2002	3 8 $\frac{4}{1}$ 1 1 4

#### Characteristics DC500

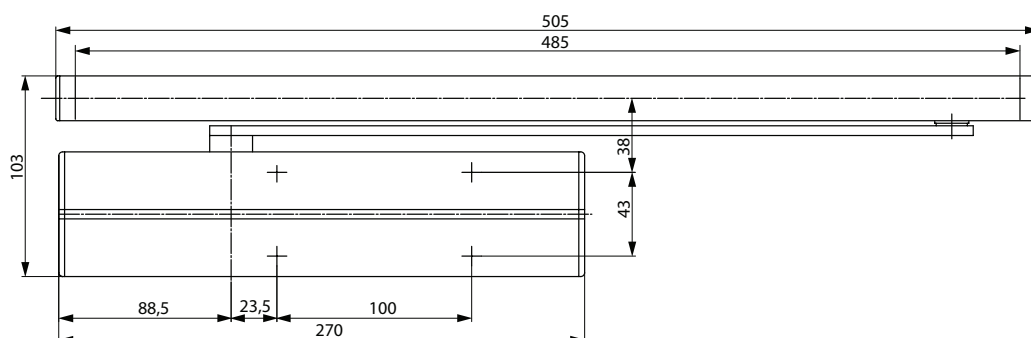
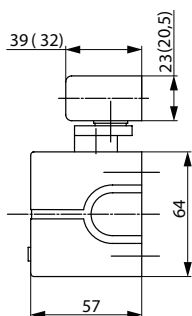
- Can be used with integrated concealed mounting plate, suitable for fire and smoke protection doors
- Can be used for left and right-handed doors
- Axis continuously height adjustable up to 14 mm
- Closing speed, latching speed and backcheck adjustable via front facing regulating valves
- Thermodynamic valves for consistent performance
- Variable adjustable closing force
- Opening angle up to 170°
- Effective backcheck and latching speed range adjustable
- Large range of applications
- Standard colours: silver EV1; white, similar to RAL9016; brown, similar to RAL8014; black, similar to RAL9005
- Customized finishes available on request

#### Characteristics for guide rail G195

- Height-adjustable by 2 mm for tolerance
- Concealed fastening screws
- Installation dimensions: see diagram

#### Characteristics of standard guide rail G193

- Without protective cover
- Visible fastening screws
- Installation dimensions: see diagram (dimensions in brackets)



# DC500

## Technical attributes

Technical attributes	
Variable adjustable closing force	EN 1-4
Door width up to	1100 mm
Fire and smoke protection	yes
Door swing directions	Left / right handed
Standard and frame installation	yes
Closing speed	Variable between 170°-0°
Latching speed	Variable between 15°-0°
Backcheck	Variable above 75°
Opening angle hinge side	ca. 170°
Opening angle non-hinge side	ca. 120°
Weight	2.7 kg
Height	64 mm
Depth	57 mm
Width	270 mm
Certified in compliance with	EN 1154
CE marking for building products	yes

### The advantages at a glance

Our service for you: here you can see the individual advantages of our door closer models for your respective field of business.

Customer segment	Advantages
<b>Project planners</b>	<ul style="list-style-type: none"> <li>- Extensive range of uses: Fire and smoke protection doors as well as standard doors</li> <li>- Modern design</li> <li>- Compact design</li> <li>- Fulfills barrier-free building requirements (DDA, CEN/TR 15894)</li> <li>- Same dimensions and design with and without mounting plate</li> </ul>
<b>Builders</b>	<ul style="list-style-type: none"> <li>- One drilling template overall</li> <li>- Adjustable to nearly all door and frame types</li> <li>- Quick and easy installation</li> <li>- Quickly and easily adjustable</li> <li>- Suitable for left and right handed doors for standard and frame mounting on hinge and non-hinge side</li> </ul>
<b>Trade</b>	<ul style="list-style-type: none"> <li>- Reduced inventory costs due to modular product range</li> <li>- One single product suitable for a large variety of mounting positions</li> <li>- Complementary accessories available for the whole product range</li> </ul>
<b>User</b>	<ul style="list-style-type: none"> <li>- Largely unaffected by temperature fluctuations thanks to thermodynamic valves</li> <li>- Easier door opening and improved accessibility due to Cam-Motion technology</li> </ul>

### Specifications for DC500

ASSA ABLOY Door Closer DC500 with Cam-Motion technology and guide rail in compliance with EN 1154

- Closing power continuously adjustable, EN size 1-4, for doors up to 1100 mm wide
- Closing speed, latching speed and backcheck continuously adjustable
- Can be used with integrated concealed mounting plate, suitable for fire and smoke protection doors
- CE approved
- 14 mm height adjustable arm system for ease of fitting
- Standard and frame mounting on hinge and non hinge side of the door
- Suitable for left and right handed doors

### Accessories:

- Standard guide rail G193
- Height-adjustable guide rail G195
- Mounting plate A120
- Mounting plate A130 for guide rail G193 and G195
- Angle bracket A104 for guide rail G193
- Mechanical opening damper A153
- Mechanical hold open device A152 (not for fire and smoke protection doors)

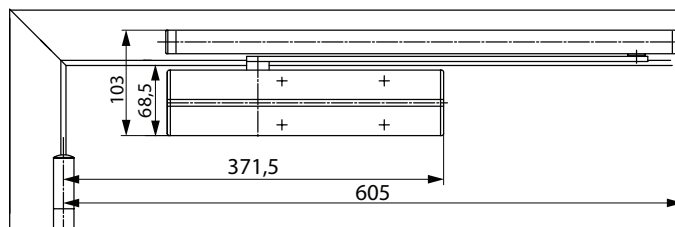
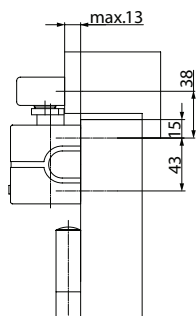
### Colour:

- Silver EV1
- White, similar to RAL9016
- Brown, similar to RAL8014
- Black, similar to RAL9005
- Customized finish

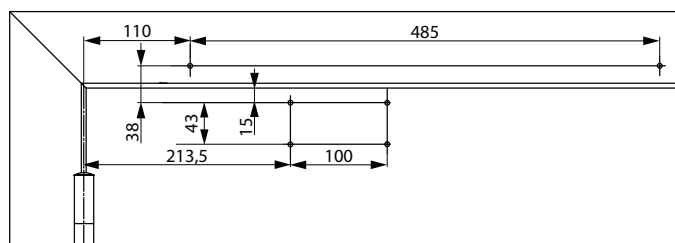
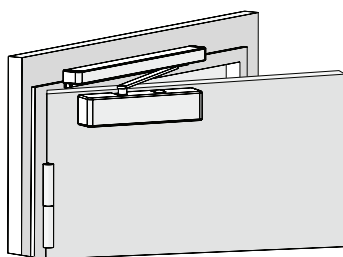
You can find the complete specification on the internet at: (Link of your companies homepage)

# DC500

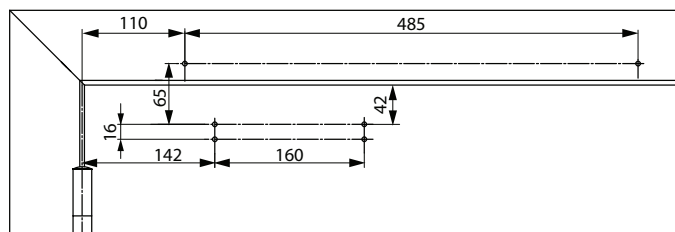
## Dimensional drawings



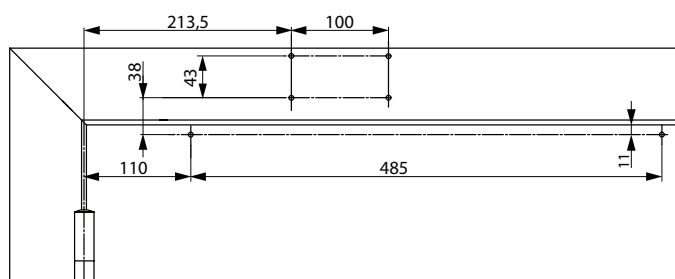
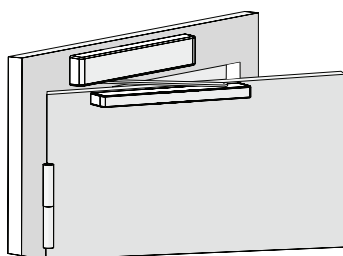
Space required on doors for standard installation on hinge side  
 Left handed shown in diagram  
 Right handed is the reverse



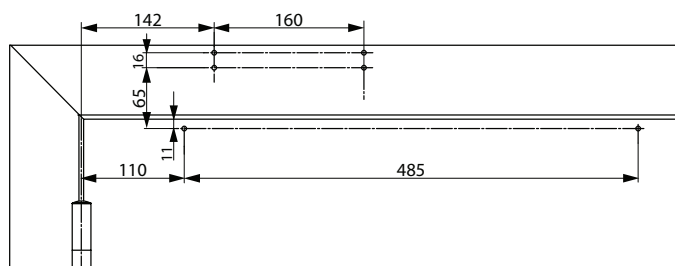
Installation dimensions for direct standard mounting on hinge side  
 Left handed shown in diagram  
 Right handed is the reverse



Installation dimensions with mounting plate for standard mounting on hinge side  
 In compliance with EN 1154, Supplement 1, or for doors where direct mounting is not possible.  
 Left handed shown in diagram  
 Right handed is the reverse



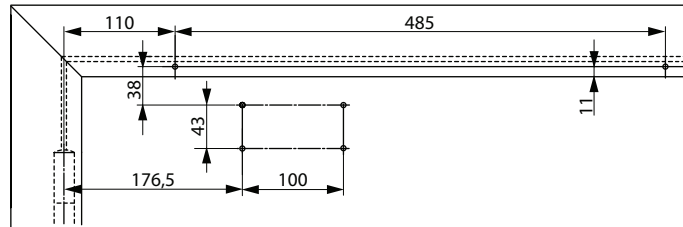
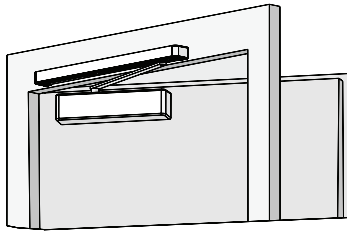
Installation dimensions for direct frame mounting on hinge side  
 Closer on hinge side of door frame.  
 Left handed shown in diagram  
 Right handed is the reverse



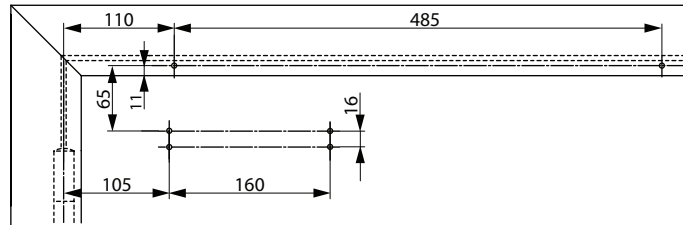
Installation dimensions with mounting plate for frame mounting on hinge side  
 Closer on hinge side of door frame. For doors where direct mounting is not possible.  
 Left handed shown in diagram  
 Right handed is the reverse

# DC500

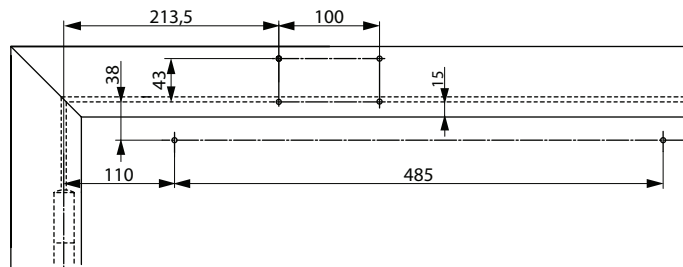
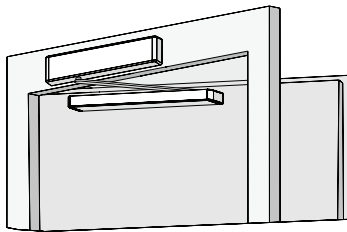
## Dimensional drawings



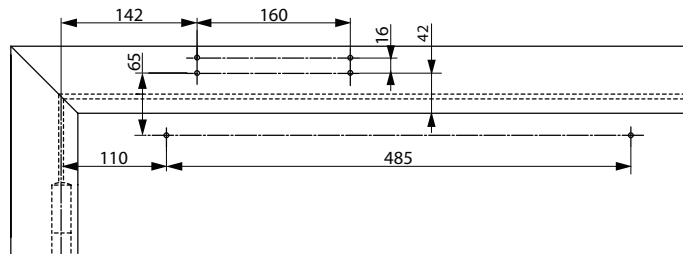
Installation dimensions for direct standard mounting non hinge side  
 Right handed door shown in diagram  
 Left handed door is the reverse



Installation dimensions with mounting plate for standard mounting non hinge side  
 For doors where direct mounting is not possible  
 Right handed door shown in diagram  
 Left handed door is the reverse

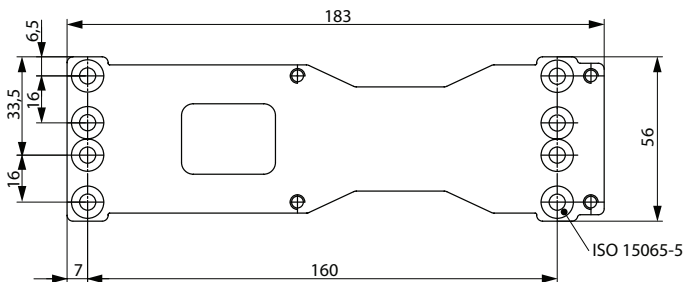
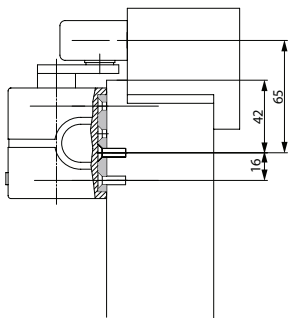


Installation dimensions when mounted directly onto the frame hinge side  
 Closer on non-hinge side of door frame  
 Right handed door shown in diagram  
 Left handed door is the reverse

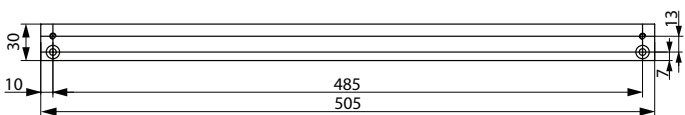
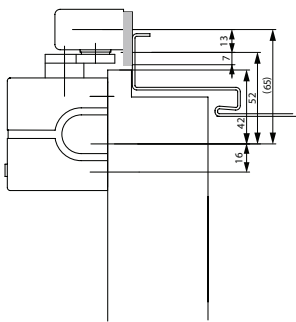


Installation dimensions with mounting plate for frame mounting non-hinge side  
 Closer on non-hinge side of door frame. For doors where direct mounting is not possible.  
 Right handed door shown in diagram  
 Left handed door is the reverse

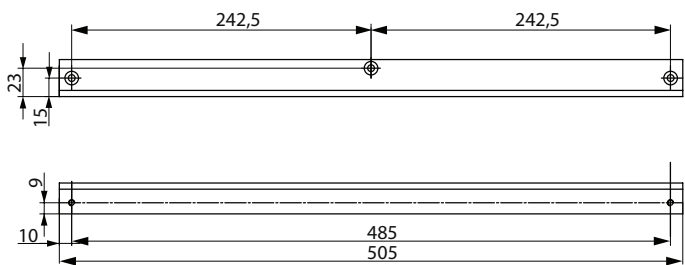
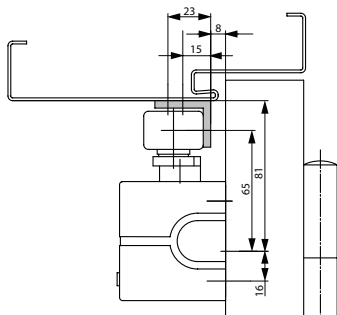
# DC500 Accessories



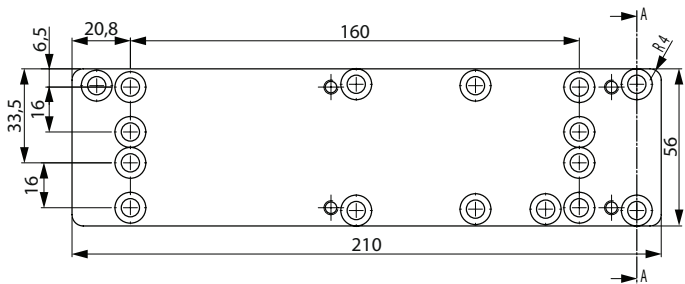
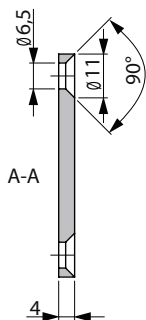
**Mounting plate A120**  
For mounting with drilling template acc. to EN 1154 Supplement 1 and for universal use



**Mounting plate A130**  
For guide rail G193 and G195



**Angle bracket A104**  
Only for standard guide rail G193



**Replacement plate A124**  
Replacement plate A124



# DC500

## Accessories

### Hold open device A152

Mechanical hold-open device for doors which sometimes need to be secured in the open position.

Simple fitting into guide rail G193 and G195.

Hold open angle max. 130°.

Adjustable hold-open force.

Not approved for use on fire and smoke protection doors.



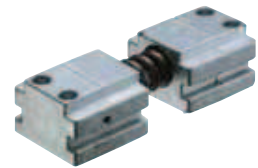
### Opening damper A153

Helps to prevent the door and door handle from hitting a return wall.

Simple fitting into guide rail G193 and G195.

Opening damper continuously adjustable up to an opening angle of max. 130°.

Does not replace a door stop.



Description	Order no.
DC500, EN size 1-4, silver EV1	
DC500, EN size 1-4, white, similar to RAL9016	
DC500, EN size 1-4, brown, similar to RAL8014	
DC500, EN size 1-4, black, similar to RAL9005	
DC500, EN size 1-4, customized finish	
Guide rail G193, silver EV1	
Guide rail G193, white, similar to RAL9016	
Guide rail G193, brown, similar to RAL8014	
Guide rail G193, black, similar to RAL9005	
Guide rail G195, silver EV1	
Guide rail G195, white, similar to RAL9016	
Guide rail G195, brown, similar to RAL8014	
Guide rail G195, black, similar to RAL9005	
Guide rail G195, customized finish	

Description	Order no.
Mounting plate A120, galvanised	
Mounting plate A130, silver EV1	
Mounting plate A130, white, similar to RAL9016	
Mounting plate A130, brown, similar to RAL8014	
Mounting plate A130, black, similar to RAL9005	
Mounting plate A130, customized finish	
Angle bracket A104, silver EV1	
Angle bracket A104, RAL9016 white	
Angle bracket A104, brown, similar to RAL8014	
Angle bracket A104, black, similar to RAL9005	
Hold open device A152	
Opening damper A153	
Replacement plate A124, galvanised	



#### ASSA ABLOY DC860

- Concealed door closer with Cam-Motion technology and small standard concealed guide rail G892 or standard concealed guide rail G893
- Fullfills barrier-free building requirements (DDA / CEN PR 15894)
- Certified in compliance with EN 1154, size 1-5
- Suitable for fire and smoke protection doors
- For single action doors up to 1250 mm wide

#### Characteristics DC860

- Can be used for left and right-handed doors
- Closing speed and latching speed adjustable from top via regulating valves
- Built-in backcheck
- Thermodynamic valves for consistent performance
- Opening angle up to 120°
- Large range of applications
- Versions with 4 mm and 8 mm spindle extensions
- Standard colours: silver EV1
- Customized finishes available on request

#### Characteristics of standard guide rail G892

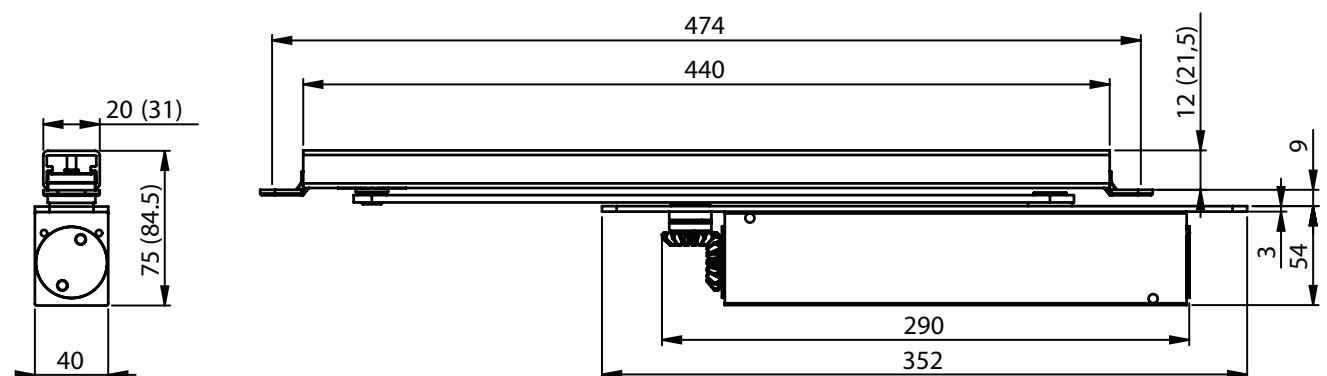
- Small size guide rail
- For standard applications
- Available with mechanical hold open device or opening damper
- Installation dimensions: see diagram

#### Characteristics for guide rail G893

- Guide rail suitable for equipping with hold-open device and backcheck
- Installation dimensions: see diagram (dimensions in brackets)



CE	Abloy Oy	11
	PO Box 108 80101 Joensuu, Finland	
0432-CPD-0047	EN1154:1996+A1:2002	3   8   5   1   1   2



# Technical attributes

Technical attributes	
Variable adjustable closing force	EN 1-5
Door width up to	1250 mm
Fire and smoke protection	yes
Door swing directions	Left / right handed
Closing speed	variable 120° - 0°
Latching speed	variable 7° - 0°
Opening angle	ca. 120°
Weight	2,3 kg
Height	54 mm
Depth	40 mm
Length	290 mm
Certified in compliance with	EN 1154
CE marking for building products	Yes

## The advantages at a glance

Our service for you: here you can see the individual advantages of our door closer models for your respective field of business.

Customer segment	Advantages
<b>Project planners</b>	<ul style="list-style-type: none"> <li>- Extensive range of uses: fire, smoke protection and standard doors</li> <li>- Fulfils barrier-free building requirements (DDA, CEN/TR 15894)</li> <li>- Comprehensive functions, standard or optional</li> </ul>
<b>Builders</b>	<ul style="list-style-type: none"> <li>- Quick and easy installation</li> <li>- Quickly and easily adjustable</li> <li>- Suitable for left and right handed doors</li> </ul>
<b>Trade</b>	<ul style="list-style-type: none"> <li>- Reduced inventory costs due to modular product range</li> <li>- One single product suitable for a large variety of mounting positions</li> <li>- Complementary accessories available for the whole product range</li> </ul>
<b>User</b>	<ul style="list-style-type: none"> <li>- Easier door opening and improved accessibility due to Cam-Motion technology</li> <li>- Largely unaffected by temperature fluctuations thanks to thermodynamic valves</li> </ul>

You can find the complete specification on the internet at: [\(Link of your companies homepage\)](#)

## Specifications for DC860

ASSA ABLOY Concealed Door Closer DC860 with Cam-Motion Technology and concealed guide rail in compliance with EN 1154

- Closing force continuously adjustable, EN size 1-5, for doors up to 1250 mm wide
- Closing speed, latching speed and closing force continuously adjustable when installed
- CE approved
- Suitable for left and right handed doors
- Additional verification of suitability required for the respective fire or smoke protection door

## Accessories:

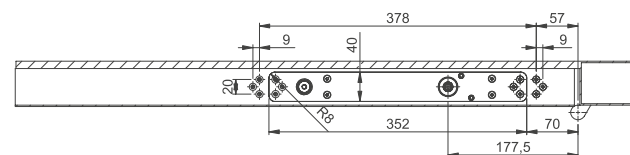
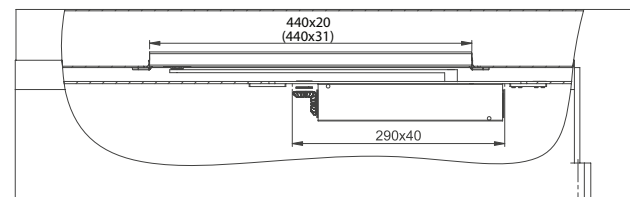
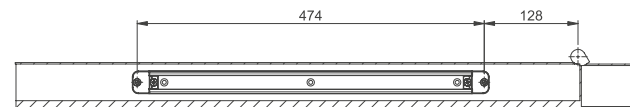
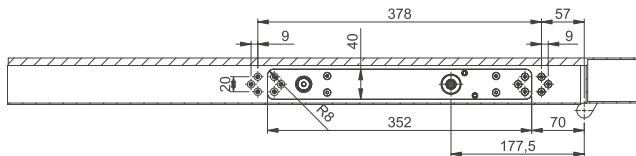
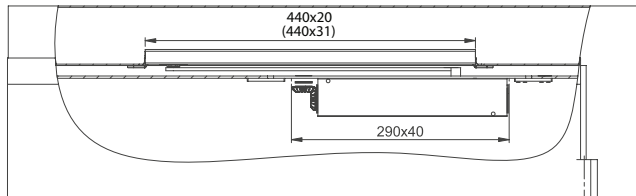
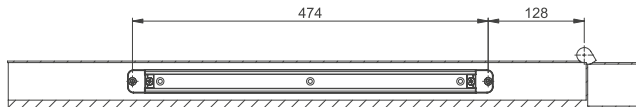
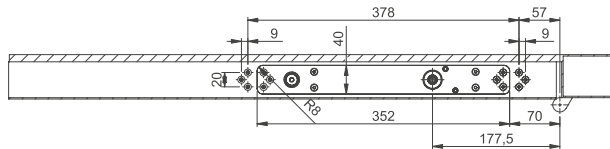
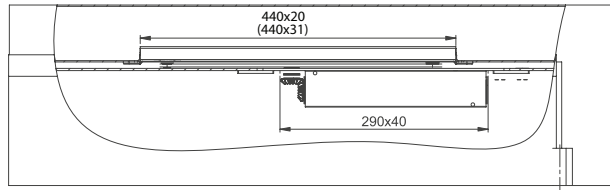
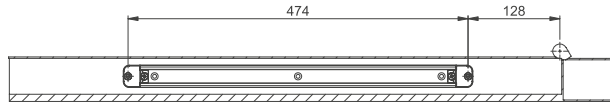
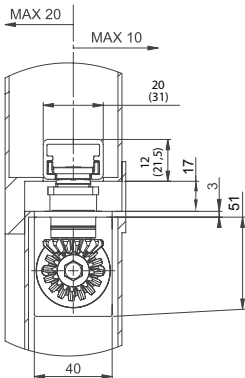
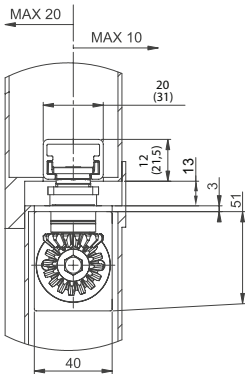
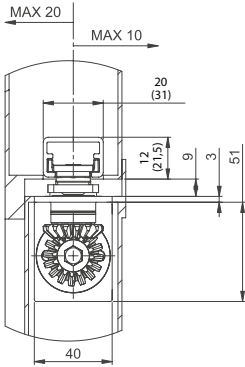
- Small concealed guide rail DC892
- Standard concealed guide rail DC893
- Mechanical hold open device A152 for G893
- Mechanical hold open device A156 for G892
- Mechanical opening damper A153 for G893
- Mechanical opening damper A157 for G892
- Fixing plate A162

## Colour:

- Silver EV1
- Customized finish

Dimensional drawings

Concealed systems



Installation dimensions

Right handed door shown in diagram  
Left handed door is the reverse

Installation dimensions with 4 mm axis extension

Right handed door shown in diagram  
Left handed door is the reverse

Installation dimensions with 8 mm axis extension

Right handed door shown in diagram  
Left handed door is the reverse

# DC860

## Accessories

### Hold open device A152

Mechanical hold-open device for doors which sometimes need to be secured in the open position.

Simple fitting into guide rail G893.

Hold-open angle max. 120°.

Adjustable hold-open force.

Not approved for use on fire and smoke protection doors.



### Hold open device A156

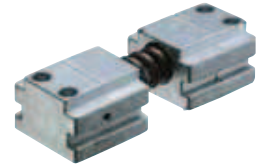
For guide rail G892.

### Opening damper A153

Helps to prevent the door and door handle from hitting a return wall.

Simple fitting into guide rail G893, does not replace a door stop.

Adjustable up to an opening angle of 120°.

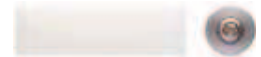


### Opening damper A157

Helps to prevent the door and door handle from hitting a return wall.

Simple fitting into guide rail G892, does not replace a door stop.

Adjustable up to an opening angle of 120°.



### Fixing plate A162

Mounting plate set for metal doors.



Description	Order no.
DC860 EN size 1 – 5, silver EV1	
DC860 EN size 1 – 5, customized finish	
DC860 EN size 1-5, spindle extension 4 mm, silver EV1	
DC860 EN size 1-5, spindle extension 4 mm, customized finish	
DC860 EN size 1-5, spindle extension 8 mm, silver EV1	
DC860 EN size 1-5, spindle extension 8 mm, customized finish	
Concealed Standard Guide Rail G892, small, silver EV1	

Description	Order no.
Concealed Standard Guide Rail G892, small, customized finish	
Concealed standard guide rail G893, silver EV1	
Concealed standard guide rail G893, customized finish	
Hold open device A152 for G893	
Opening damper A153 for G893	
Hold open device A156 for G892	
Opening damper A157 for G892	
Fixing plate A162, galvanised	



#### ASSA ABLOY DC860 with G880

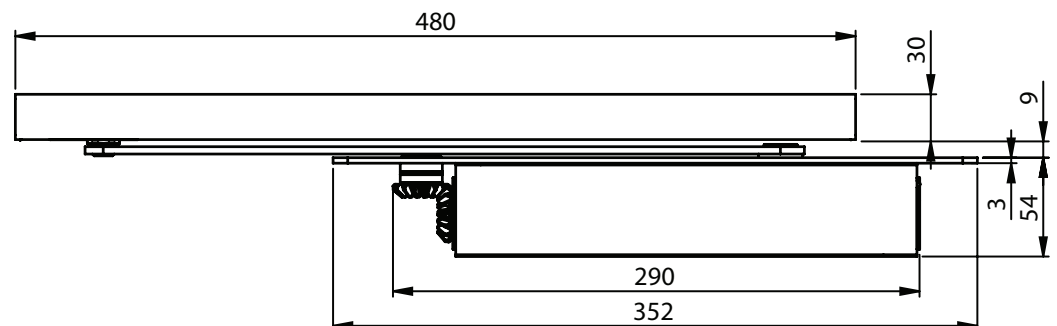
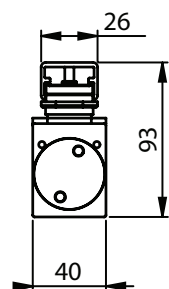
- Concealed door closer with Cam-Motion technology and guide rail with electro-mechanical hold open device for single leaf doors
- Guide rail is certified in compliance with EN1155, size 3-6
- Closer is certified in compliance with EN1154, size 1-5
- Fulfils barrier-free building requirements (DDA/ CEN TR 15894)
- Hold open angle continuously adjustable between 80°- 120°
- Suitable for fire and smoke protection doors
- For single action doors up to 1250 mm wide

#### Characteristics DC860 mit G880

- Concealed electro-mechanical hold open device
- Continuously adjustable holding force
- Hold open angle continuously adjustable between 80°- 120°
- Can be used for left and right-handed doors
- Closing speed and latching speed adjustable from top via regulating valves
- Built-in backcheck
- Thermodynamic valves for consistent performance
- Large range of applications
- Versions with 4 mm and 8 mm spindle extensions
- Standard colours: silver EV1
- Customized finishes available on request



CE	Abloy Oy	10
	PO Box 108 80101 Joensuu, Finland	
0432-BPR-0050	EN1155:1997+A1:2002	3 8 $\frac{6}{3}$ 1 1 0



# DC860 with G880

## Technical attributes

### Guide rail G880

Technical attributes	
Supply voltage	24 V DC
Rated current consumption at 24 V	ca. 60 mA
Continuous duty	100 % ED
Hold-open angle (continuously adjustable)	80° - 120°
Weight	0,9 kg
Height	30 mm
Depth	26 mm
Length	493 mm
Fire and smoke protection	yes
Certified in compliance with	EN 1155
CE marking for building products	Yes

Facts for door closer see DC860

### The advantages at a glance

Customer segment	Advantages
<b>Project planners</b>	<ul style="list-style-type: none"> <li>- Extensive range of uses: fire, smoke protection and standard doors</li> <li>- Fulfills barrier-free building requirements (DDA, CEN/TR 15894)</li> <li>- Comprehensive functions, standard or optional</li> </ul>
<b>Builders</b>	<ul style="list-style-type: none"> <li>- Quick and easy installation</li> <li>- Quickly and easily adjustable</li> <li>- Suitable for left and right handed doors</li> </ul>
<b>Trade</b>	<ul style="list-style-type: none"> <li>- Reduced inventory costs due to modular product range</li> <li>- One single product suitable for a large variety of mounting positions</li> <li>- Complementary accessories available for the whole product range</li> </ul>
<b>User</b>	<ul style="list-style-type: none"> <li>- Easier door opening and improved accessibility due to Cam-Motion technology</li> <li>- Largely unaffected by temperature fluctuations thanks to thermodynamic valves</li> </ul>

Our service for you: here you can see the individual advantages of our door closer models for your respective field of business.

You can find the complete specification on the internet at: (Link of your companies homepage)

### Specifications for DC860 with G880

ASSA ABLOY concealed guide rail with electro-mechanical hold-open device used with DC860 concealed Cam-Motion door closer

- Closing force continuously adjustable, EN size 1-5, for doors up to 1250 mm wide
- Closing speed, latching speed and closing force continuously adjustable when installed
- CE approved
- Can be used for left and right-handed doors
- Hold-open angle continuously adjustable between about 80° and 120°
- Adjustable holding force
- Additional verification of suitability required for the respective fire or smoke protection door

### Accessories:

- Concealed guide rail G880
- Smoke detector station RZ100
- Ceiling smoke detector ORS 142 / TDS 247
- Smoke protection switch
- Optical smoke detector 60060
- Flush-mounted or surface-mounted release button

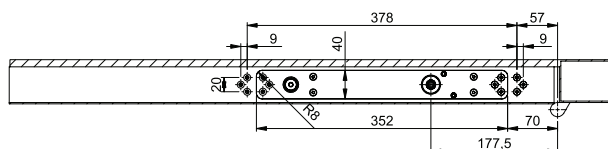
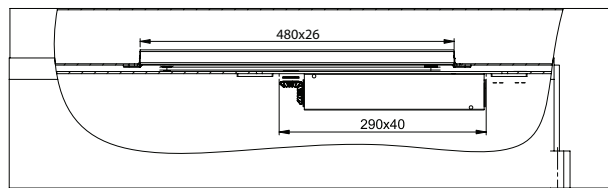
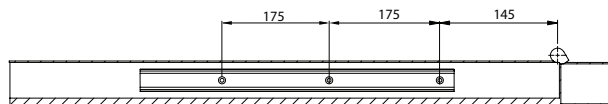
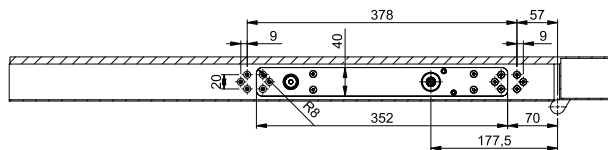
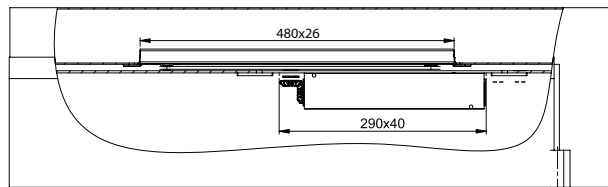
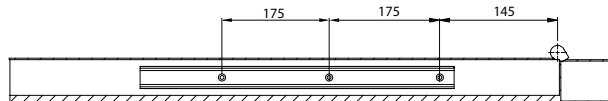
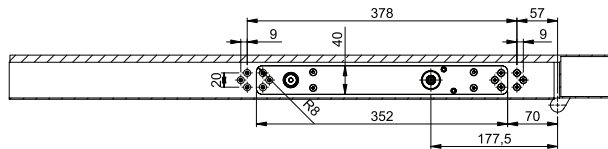
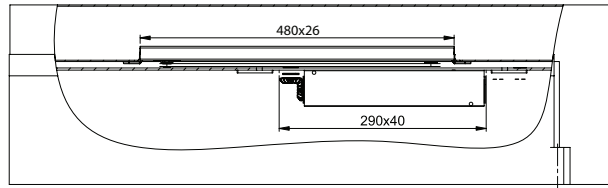
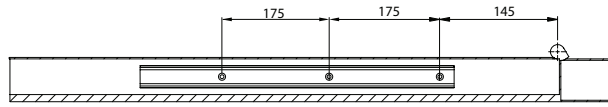
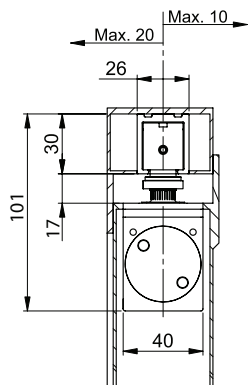
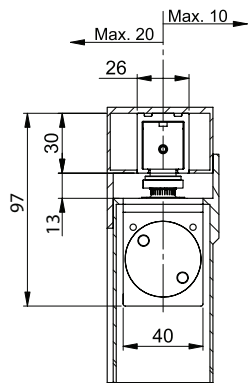
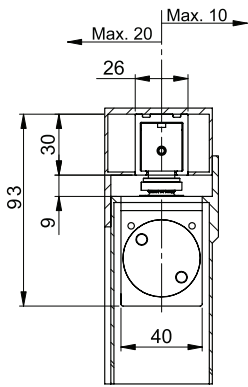
### Colour:

- Silver EV1
- Customized finish

# DC860 with G880

## Dimensional drawings

Concealed systems



### Installation dimensions

Right handed door shown in diagram  
Left handed door is the reverse

### Installation dimensions with 4 mm axis extension

Right handed door shown in diagram  
Left handed door is the reverse

### Installation dimensions with 8 mm axis extension

Right handed door shown in diagram  
Left handed door is the reverse



## DC860 with G880

## Order placement information

Description	Order no.
Concealed guide rail G880 with electromechanical hold open device, silver EV1	
Concealed guide rail G880 with electromechanical hold open device, customized finish	



#### ASSA ABLOY DC860 with G881

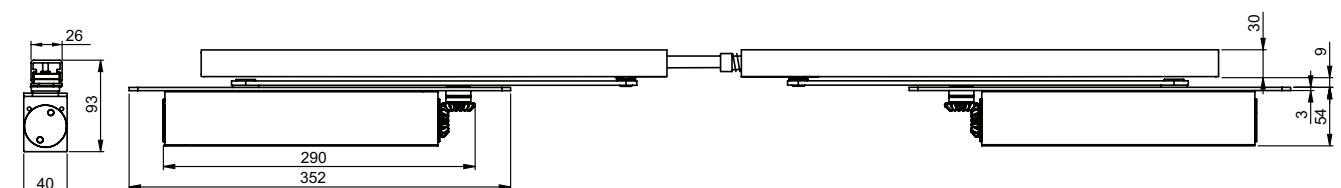
- Concealed door closer with Cam-Motion technology and guide rail with integrated mechanical co-ordinator for double leaf doors
- Guide rail is certified in compliance with EN 1158, size 3-6
- Closer is certified in compliance with EN1154, size 1-5
- Fulfils barrier-free building requirements (DDA/ CEN TR 15894)
- For double leaf fire doors, hinge distance 1350 - 2500 mm

#### Characteristics DC860 with G881

- Concealed guide rail with integrated mechanical door co-ordinator based on wedge system
- Closing speed and latching speed adjustable from top via regulating valves
- Built-in backcheck
- Thermodynamic valves for consistent performance
- Versions with 4 mm and 8 mm spindle extensions
- Large range of applications
- Customized finishes available on request
- Standard colours: silver EV1



CE	Abloy Oy	10
	PO Box 108 80101 Joensuu, Finland	
0432-BPR-0049	EN1158:1997+A1:2002	3 8 6 1 1 0



# DC860 with G881

## Technical attributes

### Concealed guide rail G881

Technical attributes	
Hinge distance	1.350 - 2.500 mm
Fire and smoke protection	yes
Opening angle	120°
Weight	2,0 kg
Height	30 mm
Depth	26 mm
Length	Depending on overall door width
Certified in compliance with	EN 1158
CE marking for building products	Yes

Facts for door closer see DC860

### The advantages at a glance

Customer segment	Advantages
<b>Project planners</b>	- Extensive range of uses: fire, smoke protection and standard doors - Fulfils barrier-free building requirements (DDA, CEN/TR 15894) - Comprehensive functions, standard or optional
<b>Builders</b>	- Quick and easy installation - Quickly and easily adjustable - Suitable for left and right handed doors
<b>Trade</b>	- Reduced inventory costs due to modular product range - One single product suitable for a large variety of mounting positions - Complementary accessories available for the whole product range
<b>User</b>	- Easier door opening and improved accessibility due to Cam-Motion technology - Largely unaffected by temperature fluctuations thanks to thermodynamic valves

Our service for you: here you can see the individual advantages of our door closer models for your respective field of business.

You can find the complete specification on the internet at: (Link of your companies homepage)

### Specifications for DC860 with G881

ASSA ABLOY concealed guide rail with mechanical co-ordinator for double leaf doors used with DC860 concealed Cam-Motion door closers

- For doors with a hinge distance between 1350 mm and 2500 mm
- Closing speed, latching speed and closing force continuously adjustable when installed
- CE approved
- Additional verification of suitability required for the respective fire or smoke protection door

### Accessories:

- Concealed guide rail G881 for double leaf doors

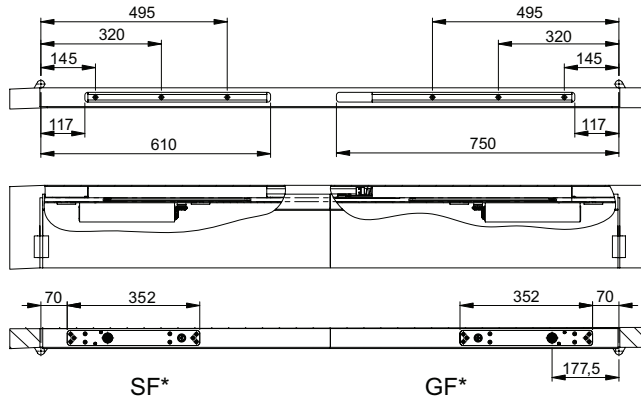
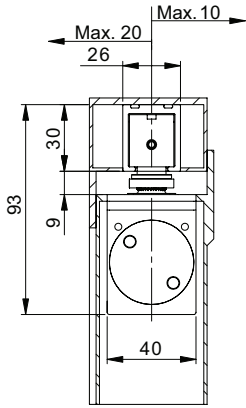
### Colour:

- Silver EV1  
Customized finish

# DC860 with G881

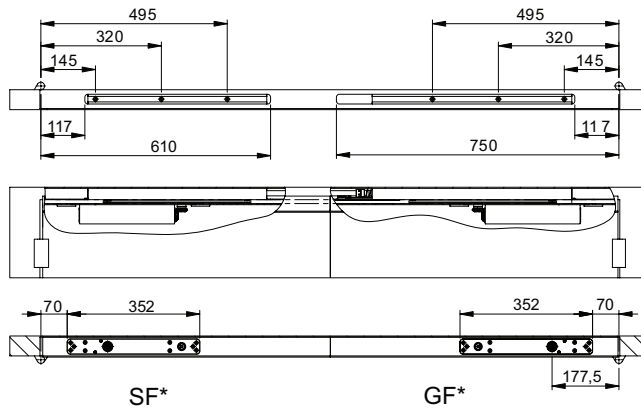
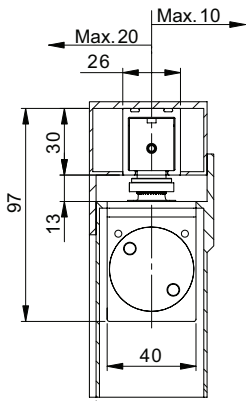
## Dimensional drawings

Concealed systems



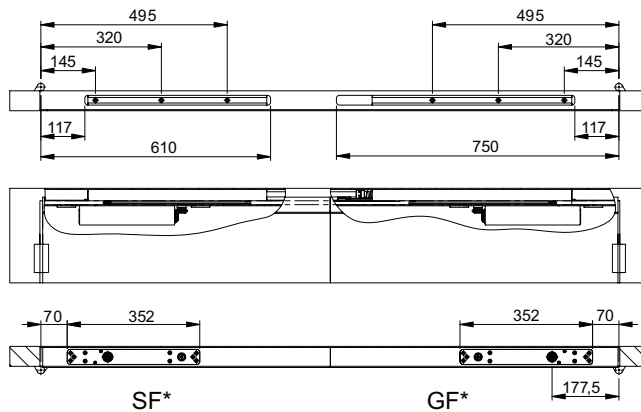
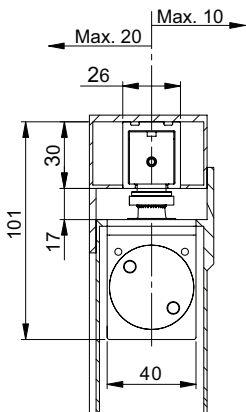
### Installation dimensions

Right handed door shown in diagram  
 Left handed door is the reverse  
 SF\* = Inactive leaf  
 GF\* = Active leaf



### Installation dimensions with 4 mm axis extension

Right handed door shown in diagram  
 Left handed door is the reverse  
 SF\* = Inactive leaf  
 GF\* = Active leaf



### Installation dimensions with 8 mm axis extension

Right handed door shown in diagram  
 Left handed door is the reverse  
 SF\* = Inactive leaf  
 GF\* = Active leaf

## DC860 with G881

## Order placement information

Description	Order no.
Concealed guide rail G881 with mechanical coordinator, silver EV1	
Concealed guide rail G881 with mechanical coordinator, customized finish	



#### ASSA ABLOY G882 / G884

- Concealed door closer with Cam-Motion technology and guide rail with integrated mechanical co-ordinator and electro-mechanical hold open device(s) for double leaf doors
- Certified in compliance with EN 1155 and EN 1158, size 3-6
- Concealed door closer DC860 is certified in compliance with EN 1154, size 1-5
- Operates independently of door closers and offers best possible functions, safety and reliability
- For fire and smoke protection double leaf doors, hinge distance 1350 - 2500 mm

#### Characteristics G882 / G884

- Concealed mechanical co-ordinator with electro-mechanical hold open device for double leaf doors
- Possible to keep both door leaves open by using only one electro-mechanical hold open device
- Hold open angle of inactive door leaf adjustable between 70° - 120°
- Continuously adjustable hold open force
- Active door leaf could stay open in any selected angle up to 120° when inactive leaf is opened
- Correct closing sequence guaranteed for double leaf doors, inactive leaf closes before active leaf start to close
- Large range of applications
- Standard colour: silver EV1
- Customized finishes available on request

#### Characteristics G882

- Concealed mechanical co-ordinator with two electro-mechanical hold open devices for double leaf doors
- Possible to keep active leaf or both door leaves open

#### Characteristics G884

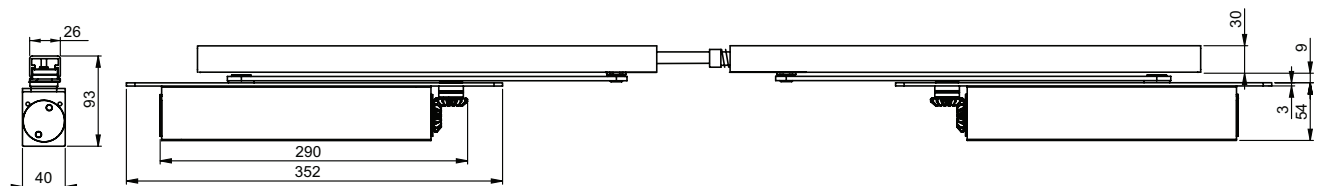
- Concealed mechanical co-ordinator with one electro-mechanical hold open device for double leaf doors
- Possible to keep both door leaves open by using only one electro-mechanical hold open device



CE	Abloy Oy PO Box 108 80101 Joensuu, Finland	10
	0432-BPR-0050 EN1155:1997+A1:2002	3 8 $\frac{6}{3}$ 1 1 0

CE	Abloy Oy PO Box 108 80101 Joensuu, Finland	10
	0432-BPR-0049 EN1158:1997+A1:2002	3 8 $\frac{6}{3}$ 1 1 0

CE	Abloy Oy PO Box 108 80101 Joensuu, Finland	11
	0432-CPD-0047 EN1154:1996+A1:2002	3 8 $\frac{5}{1}$ 1 1 2



# DC860 with G882 / G884

## Technical attributes

### Guide rail G882 / G884

Technical attributes	
Power supply	24 V DC
Current consumption	60 mA (G884); 120 mA (G882)
Hinge distance	1350 - 2500 mm
Fire and smoke protection	Yes
Opening angle on active leaf	up to 120°
Hold open angle of inactive leaf	70° - 120°
Weight	2,1 kg
Height	30 mm
Depth	26 mm
Length	Depends on hinge distance
Certified in compliance with	EN 1155 and EN 1158
CE marking for building products	Yes

Facts for door closer see DC860

### The advantages at a glance

Customer segment	Advantages
<b>Project planners</b>	<ul style="list-style-type: none"> <li>- Concealed door closer products prefers esthetic advantages for every solutions</li> <li>- Extensive range of uses: Fire and smoke protection doors as well as standard doors</li> <li>- Compact design, small size</li> <li>- Suitable for steel, wooden and aluminium profile doors</li> </ul>
<b>Builders</b>	<ul style="list-style-type: none"> <li>- Quick and easy installation</li> <li>- Quickly and easily adjustable</li> </ul>
<b>Trade</b>	<ul style="list-style-type: none"> <li>- Reduced inventory costs due to modular product range</li> <li>- One single product suitable for a large variety of mounting positions</li> <li>- A single model for all concealed double door solutions</li> </ul>
<b>User</b>	<ul style="list-style-type: none"> <li>- Correct closing sequence guaranteed in every situation</li> <li>- Adjustable operating force, to meet door construction requirements and user need</li> </ul>

Our service for you: here you can see the individual advantages of our door closer models for your respective field of business.

You can find the complete specification on the internet at: (Link of your companies homepage)

### Specification for G884

ASSA ABLOY concealed guide rail with mechanical coordinator and electro-mechanical hold open device for double leaf doors used with DC860 concealed Cam-Motion door closers

- Hinge distance 1350 - 2500 mm
- Possible to keep both door leaves open
- Hold open angle of inactive leaf adjustable between 70° - 120°
- Continuously adjustable hold open force
- Active leaf could stay open in any selected angle up to 120° when inactive leaf is opened
- Correct closing sequence guaranteed for double leaf doors, inactive leaf closes before active leaf start to close
- Large range of applications
- Possible to keep active leaf or both door leaves open (G882)
- Possible to keep both door leaves open (G884)

### Accessories:

- Carry bar
- Power supply
- Smoke protection detector
- Flush mounted or surface mounted release button

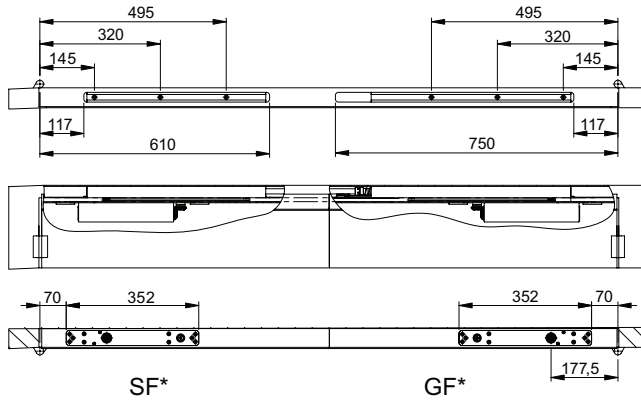
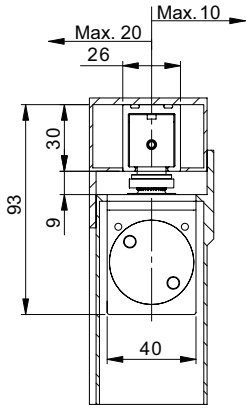
### Colour:

- Silver EV1
- Customized finish

# DC860 with G882 / G884

## Dimensional drawings

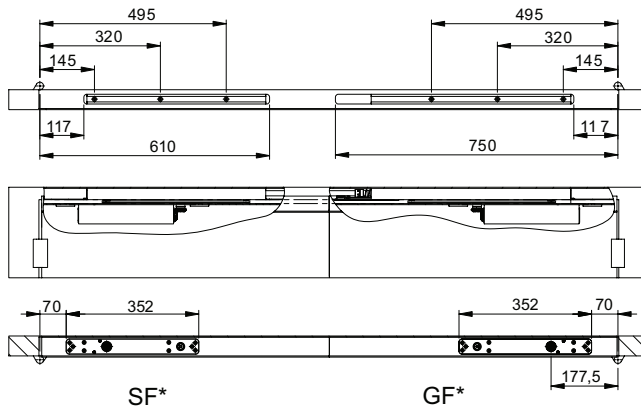
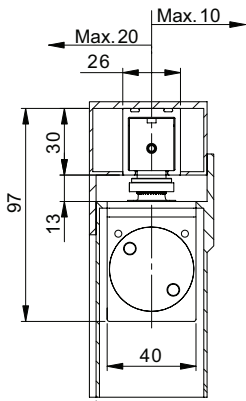
Concealed systems



### Installation dimensions

Right handed door shown in diagram  
Left handed door is the reverse

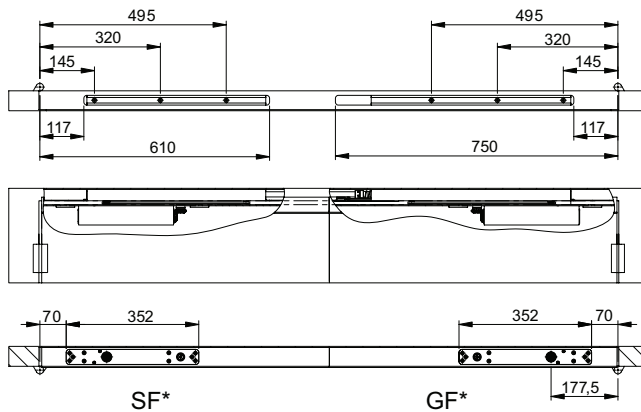
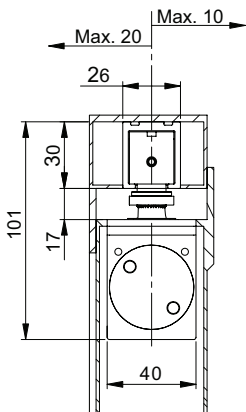
SF\* = Inactive leaf  
GF\* = Active leaf



### Installation dimensions with 4 mm axis extension

Right handed door shown in diagram  
Left handed door is the reverse

SF\* = Inactive leaf  
GF\* = Active leaf



### Installation dimensions with 8 mm axis extension

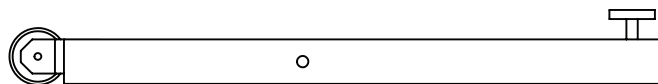
Right handed door shown in diagram  
Left handed door is the reverse

SF\* = Inactive leaf  
GF\* = Active leaf

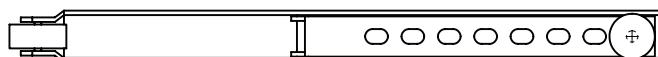


## DC860 with G882 / G884

## Accessories



**Carry bar A101**  
Enables to correct opening sequence of the door.



Description	Order no.
Concealed guide rail G882 with mechanical co-ordinator and two electro-mechanical hold open devices, silver EV1	
Concealed guide rail G882 with mechanical co-ordinator and two electro-mechanical hold open devices, customized finish	
Concealed guide rail G884 with mechanical co-ordinator and electro-mechanical hold open device, silver EV1	
Concealed guide rail G884 with mechanical co-ordinator and electro-mechanical hold open device, customized finish	
Carry bar A101, silver	



#### ASSA ABLOY DC840

- Concealed door closer with Cam-Motion technology and small standard concealed guide rail G892 or standard concealed guide rail G893
- Fullfills barrier-free building requirements (DDA / CEN PR 15894)
- Certified in compliance with EN 1154, size 1-4
- Suitable for fire and smoke protection doors
- For single action doors up to 1100 mm wide

#### Characteristics DC840

- Can be used for left and right-handed doors
- Closing speed and latching speed adjustable from top via regulating valves
- Built-in backcheck
- Thermodynamic valves for consistent performance
- Opening angle up to 120°
- Large range of applications
- Versions with 4 mm and 8 mm spindle extensions
- Standard colours: silver EV1
- Customized finishes available on request

#### Characteristics of standard guide rail G892

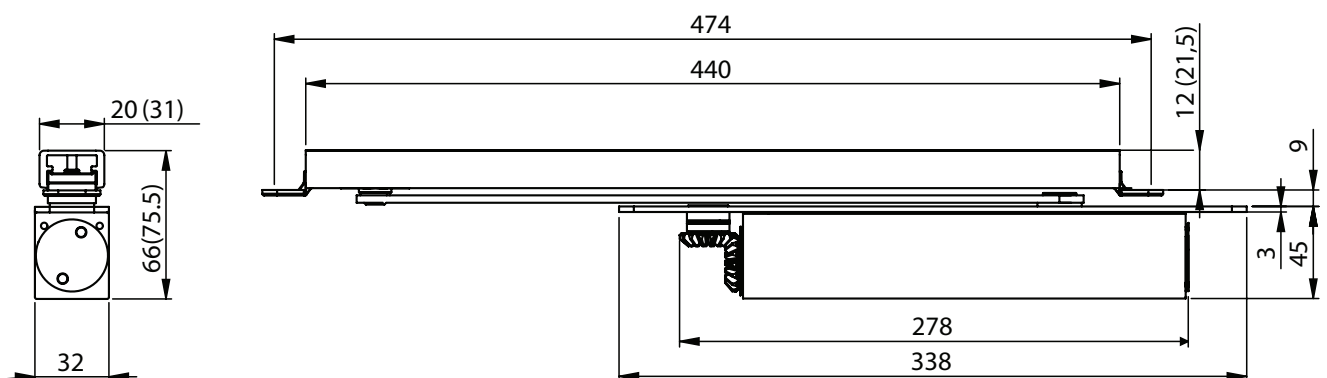
- Small size guide rail
- For standard applications
- Available with mechanical hold open device or opening damper
- Installation dimensions: see diagram

#### Characteristics for guide rail G893

- Guide rail suitable for equipping with hold-open device and backcheck
- Installation dimensions: see diagram (dimensions in brackets)



CE	Abloy Oy	11
	PO Box 108 80101 Joensuu, Finland	
0432-CPD-0047	EN1154:1996+A1:2002	3   8   4 1   1   3



## Technical attributes

Technical attributes	
Variable adjustable closing force	EN 1-4
Door width up to	1100 mm
Fire and smoke protection	Yes
Door swing directions	Left / right handed
Closing speed	variable 120° - 0°
Latching speed	variable 7° - 0°
Opening angle	ca. 120°
Weight	1.4 kg
Height	45 mm
Depth	32 mm
Length	278 mm
Certified in compliance with	EN 1154
CE marking for building products	yes

### The advantages at a glance

Our service for you: here you can see the individual advantages of our door closer models for your respective field of business.

Customer segment	Advantages
<b>Project planners</b>	<ul style="list-style-type: none"> <li>- Extensive range of uses: fire, smoke protection and standard doors</li> <li>- Concealed door closer products prefers esthetic advantages for every solutions</li> <li>- Standard functions built-in</li> <li>- Fulfils barrier-free building requirements (DDA, CEN/TR 15894)</li> <li>- Comprehensive functions, standard or optional</li> </ul>
<b>Builders</b>	<ul style="list-style-type: none"> <li>- Quick and easy installation</li> <li>- Quickly and easily adjustable</li> <li>- Suitable for left and right handed doors</li> </ul>
<b>Trade</b>	<ul style="list-style-type: none"> <li>- Reduced inventory costs due to modular product range</li> <li>- One single product suitable for a large variety of mounting positions</li> <li>- Complementary accessories available for the whole product range</li> </ul>
<b>User</b>	<ul style="list-style-type: none"> <li>- Door easy to use thanks to the greatly reduced torque</li> <li>- Easier door opening and improved accessibility due to Cam-Motion technology</li> <li>- Largely unaffected by temperature fluctuations thanks to thermodynamic valves</li> </ul>

### Specifications for DC840

ASSA ABLOY Concealed Door Closer DC840 with CAM Motion Technology and concealed guide rail in compliance with EN 1154

- Closing power continuously adjustable, EN size 1-4, for doors up to 1100 mm wide
- Closing speed, latching speed and closing force continuously adjustable when installed
- CE approved
- Suitable for left and right handed doors
- Additional verification of suitability required for the respective fire or smoke protection door

### Accessories:

- Small concealed guide rail DC892
- Standard concealed guide rail DC893
- Mechanical hold open device A152 for G893
- Mechanical hold open device A156 for G892
- Mechanical opening damper A153 for G893
- Mechanical opening damper A157 for G892
- Fixing plate A162

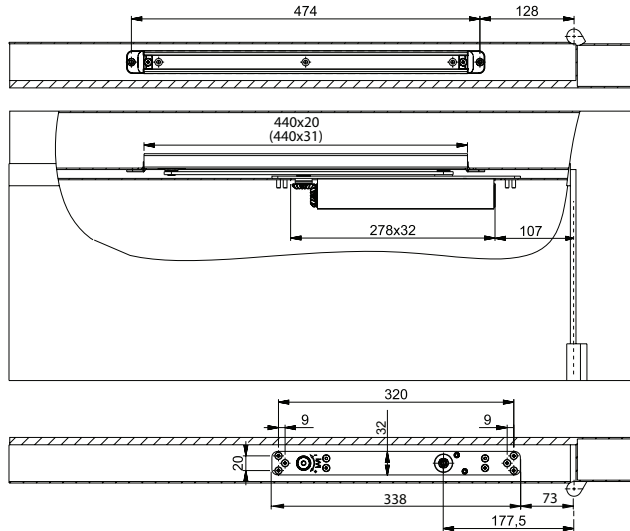
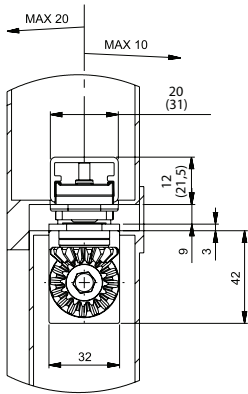
### Colour:

- Silver EV1
- Customized finish

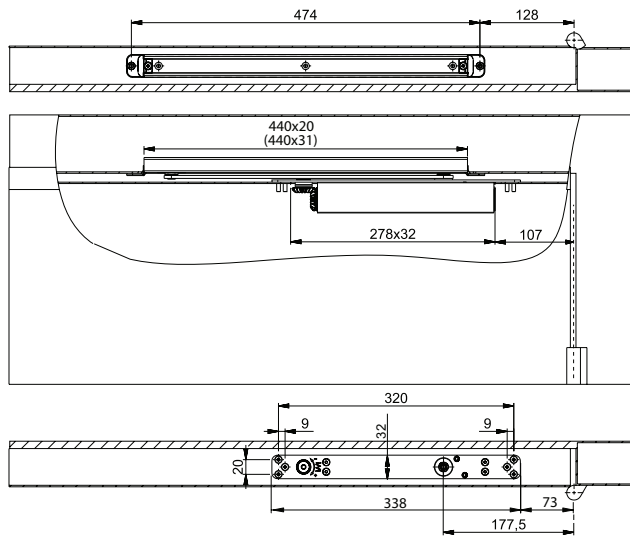
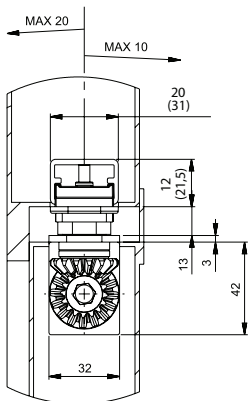
You can find the complete specification on the internet at: (Link of your companies homepage)

Dimensional drawings

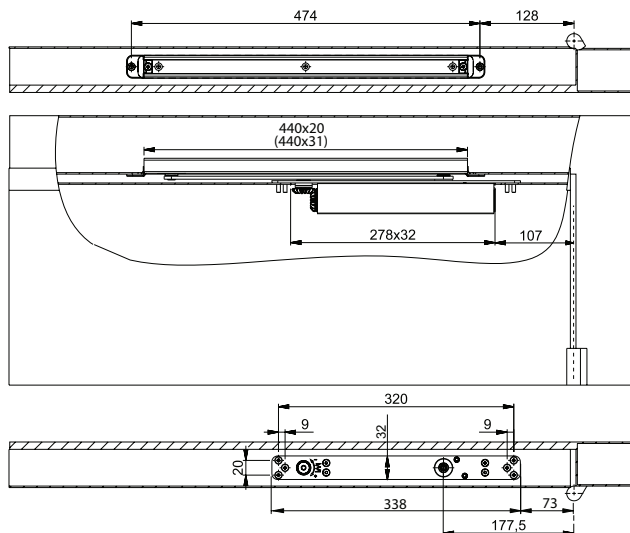
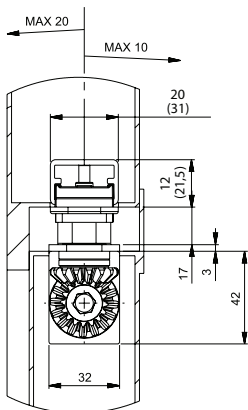
Concealed systems



Installation dimensions  
Right handed door  
shown in diagram  
Left handed door is the  
reverse



Installation dimensions  
with 4 mm axis extension  
Right handed door  
shown in diagram  
Left handed door is the  
reverse



Installation dimensions  
with 8 mm axis extension  
Right handed door  
shown in diagram  
Left handed door is the  
reverse

# DC840

## Accessories

### Hold open device A152

Mechanical hold-open device for doors which sometimes need to be secured in the open position.

Simple fitting into guide rail G893.

Hold-open angle max. 120°.

Adjustable hold-open force.

Not approved for use on fire and smoke protection doors.



### Hold open device A156

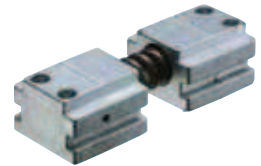
For guide rail G892.

### Opening damper A153

Helps to prevent the door and door handle from hitting a return wall.

Simple fitting into guide rail G893, does not replace a door stop.

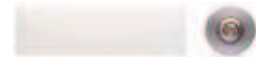
Adjustable up to an opening angle of 120°.



### Opening damper A157

Helps to prevent the door and door handle from hitting a return wall.

Simple fitting into guide rail G892, does not replace a door stop.



### Fixing plate A162

Mounting plate set for metal doors.



Description	Order no.
DC 840 EN size 1 – 4, silver EV1	
DC 840 EN size 1 – 4, customized finish	
DC840 EN size 1-4, spindle extension 4 mm, silver EV1	
DC840 EN size 1-4, spindle extension 4 mm, customized finish	
DC840 EN size 1-4, spindle extension 8 mm, silver EV1	
DC840 EN size 1-4, spindle extension 8 mm, customized finish	
Concealed Standard Guide Rail G892, small, silver EV1	

Description	Order no.
Concealed Standard Guide Rail G892, small, customized finish	
Concealed standard guide rail G893, silver EV1	
Concealed standard guide rail G893, customized finish	
Hold open device A152 for G893	
Opening damper A153 for G893	
Hold open device A156 for G892	
Opening damper A157 for G892	
Fixing plate A162, galvanised	



**ASSA ABLOY DC820**

- Concealed door closer with rack and pinion technology and guide rail
- Certified in compliance with EN 1154, selectable size 2 or size 3
- Suitable for fire and smoke protection doors
- For single action doors up to 950 mm wide

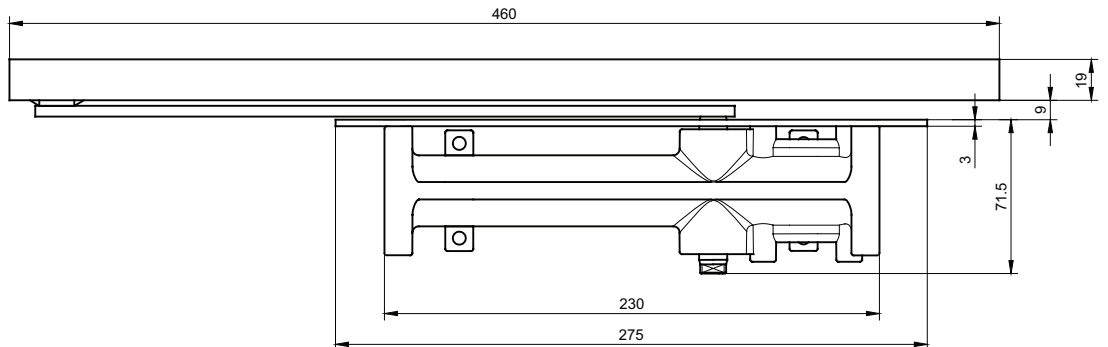
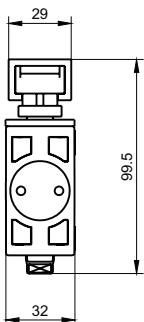
**Characteristics DC820**

- Can be used for left and right handed doors
- Useable opening angle up to 150°
- Closing speed and latching speed adjustable from top via regulating valves
- Back-check (available upon request)
- Hold-open angle adjustable up to 150°
- Colour: silver EV1



CE	IC 1000E Door Closer			10			
	Guli Security Products Ltd. 33-35 Chrysanthemum Road, Xiaolan, Zhongshan, Guangdong, P.R. China						
Certificate No. 1162-CPD-0286	EN 1154: 1996/A1: 2002	4	8	2	1	1	3

CE	IC 1000E Door Closer			10			
	Guli Security Products Ltd. 33-35 Chrysanthemum Road, Xiaolan, Zhongshan, Guangdong, P.R. China						
Certificate No. 1162-CPD-0286	EN 1154: 1996/A1: 2002	4	8	3	1	1	3



## Technical attributes

Technical attributes	
Closing force	EN 2, EN 3
Door width up to	950 mm
Fire and smoke protection (Please check the useability according your local regulations)	Yes
Door swing direction	Left / Right handed door
Closing speed	Variable 150° – 0°
Latching speed	Variable 15° – 0°
Hold-open mode	Variable between 45°- 150°
Weight	0,97 kg
Height	76,5 mm
Depth	32 mm
Length	230 mm
Certified in compliance with	EN 1154
CE marking for building products	Yes

### The advantages at a glance

Our service for you: here you can see the individual advantages of our door closer models for your respective field of business.

Customer segment	Advantages
<b>Project planners</b>	- Extensive range of uses: Fire and smoke protection doors as well as standard doors - Modern design - Compact design
<b>Builders</b>	- Slim size (32 mm wide) that fits almost any door - Suitable for left and right handed doors - One installation template
<b>User</b>	- Concealed installation - Adjustable closing speed

You can find the complete specification on the internet at: (Link of your companies homepage)

### Specifications for DC820

ASSA ABLOY Door Closer DC820 with guide rail

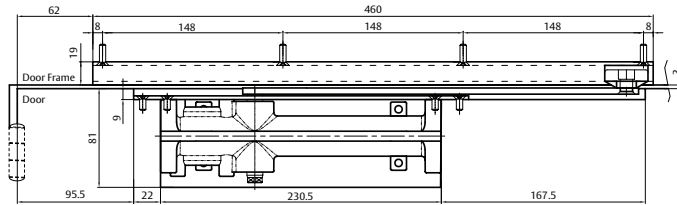
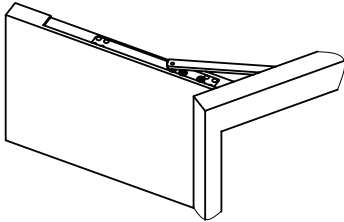
- Concealed installation
- Closing force: EN2 and EN3
- Closing and latching speed adjustable
- For fire and smoke protection doors
- CE approved
- Suitable for left and right handed doors

### Colour:

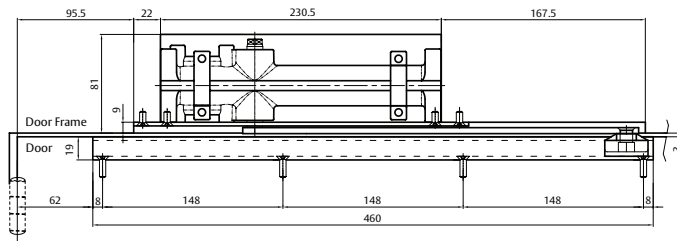
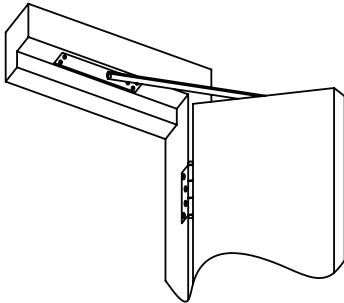
- Silver EV1
- White, similar to RAL9016
- Brown, similar to RAL8014
- Black, similar to RAL9005

Dimensional drawings

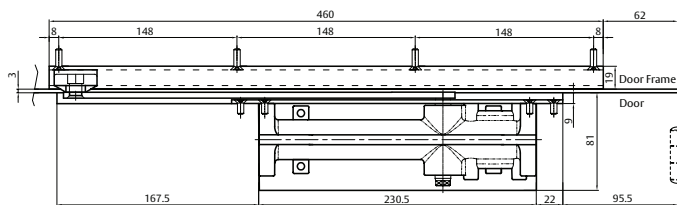
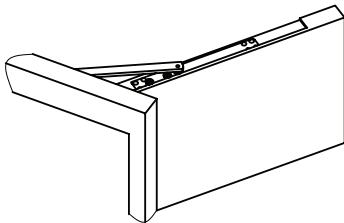
Concealed systems



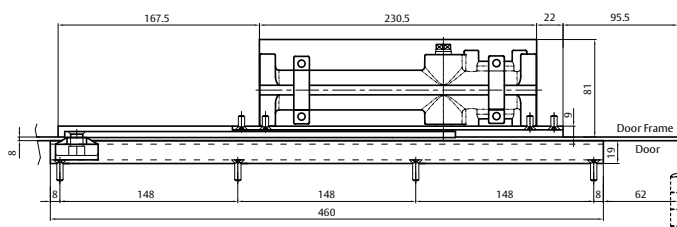
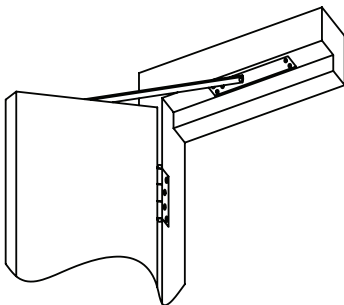
Installation dimensions for standard application  
Right handed door shown in diagram



Installation dimensions for top jamb application  
Right handed door shown in diagram



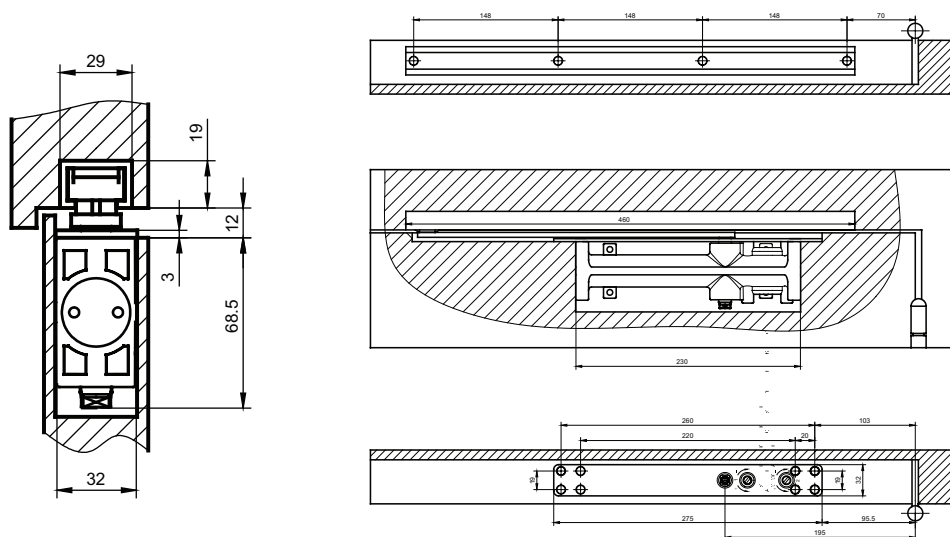
Installation dimensions for standard application  
Left handed door shown in diagram



Installation dimensions for top jamb application  
Left handed door shown in diagram



## Dimensional drawings



Installation dimensions  
for standard door mounting

Right handed door  
shown in diagram  
Left handed door is the  
reverse

Concealed systems

Description	Order no.
DC 820 EN size 2, silver EV1	
DC 820 EN size 3, silver EV1	

## DC640 with free swing function



## ASSA ABLOY DC640

- Rack and pinion door closer with free-swing function
- Certified in compliance with EN 1155
- Suitable for fire and smoke protection doors
- Door width up to 1400 mm with link arm free-swing L690 and up to 1100 mm with guide rail free-swing G694

## Characteristics DC640

- Electro-hydraulic door closer
- Supplied with integrated concealed mounting plate, suitable for fire and smoke protection doors
- Can be used for left and right-handed doors
- Arm system height-adjustable up to 14 mm
- Closing speed, latching speed and backcheck adjustable via front facing regulating valves
- Thermodynamic valves for consistent performance
- Variable adjustable closing force
- Opening angle up to 170°
- Large range of applications
- Standard colours: silver EV1; white, similar to RAL9016; brown, similar to RAL8014; black, similar to RAL9005
- Customized finishes available on request

## Characteristics link arm free swing L690

- Free-swing angle adjustable up to 180°
- Closing force size EN 3-6
- Doors up to 1400 mm wide

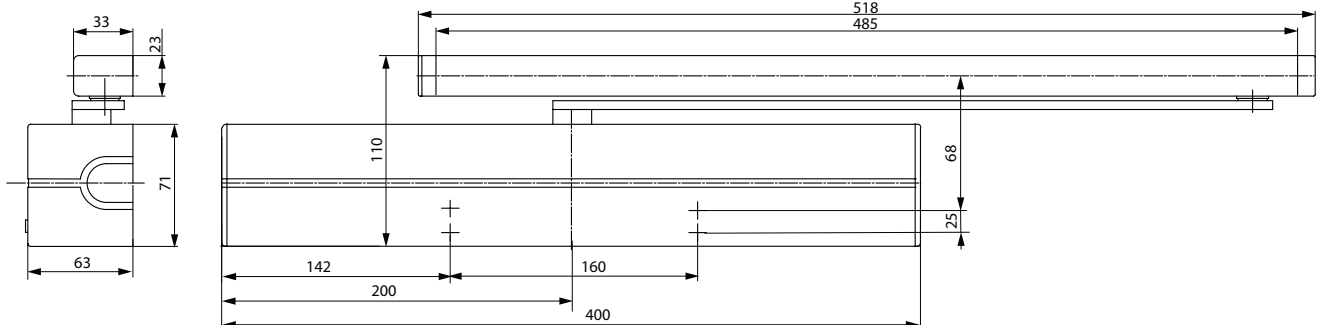
## Characteristics guide rail free swing G694

- Free-swing angle adjustable up to 180°
- Closing force EN 3 - 4
- Doors up to 1100 mm wide

Freeswing



CE	Abloy Oy	07
	PO Box 108 80101 Joensuu, Finland	
0432-CPD-0124	EN1155:1997+A1:2002	3 8 $\frac{4}{3}$ 1 1 3



# DC640 with free swing function

## Technical attributes

Technical attributes	
Continuously adjustable closing force with guide rail free swing / link arm free swing	EN 3-4 / EN 3-6
Door width up to	1100 mm / 1400 mm
Fire and smoke protection	yes
Door swing directions	Left / right handed
Closing speed	Variable between 180°-0°
Latching speed	Variable between 15°-0°
Backcheck	Variable above 75°
Weight	4.0 kg
Height	71 mm
Depth	63 mm
Length	400 mm
Certified in compliance with	EN 1155
CE marking for building products	yes

### The advantages at a glance

Our service for you: here you can see the individual advantages of our door closer models for your respective field of business.

Customer segment	Advantages
<b>Project planners</b>	<ul style="list-style-type: none"> <li>- Free-swing function</li> <li>- CE certified with link arm and guide rail</li> <li>- Modern design</li> <li>- Standard functions built-in</li> <li>- Fulfills barrier-free building requirements</li> </ul>
<b>Builders</b>	<ul style="list-style-type: none"> <li>- Adjustable to nearly all door and frame types</li> <li>- Quick and easy installation</li> <li>- Quickly and easily adjustable</li> <li>- Suitable for left and right handed doors, in both door and frame mounted applications</li> </ul>
<b>Trade</b>	<ul style="list-style-type: none"> <li>- One single product suitable for a large variety of mounting positions</li> <li>- Complementary accessories available for the whole product range</li> </ul>
<b>User</b>	<ul style="list-style-type: none"> <li>- After first opening door could be opened without any opening resistance</li> <li>- Largely unaffected by temperature fluctuations thanks to thermodynamic valves</li> <li>- Backcheck feature offers optimum protection for doors and walls</li> </ul>

### Specifications for DC640

- ASSA ABLOY Door Closer DC640 featuring free swing technology in compliance with EN 1155
- With link arm free swing L690 closing power continuously adjustable, EN size 3-6, for doors up to 1400 mm wide
  - With guide rail free swing G694 closing power continuously adjustable, EN size 3-4, for doors up to 1100 mm wide
  - Closing speed, latching speed and backcheck adjustable via front facing regulating valves
  - Supplied with integrated concealed mounting plate, suitable for fire and smoke protection doors
  - CE approved
  - 14 mm height adjustable arm system for ease of fitting
  - Suitable for left and right handed doors

### Accessories:

- Link arm free swing L690
- Guide rail free swing G694
- Connection box A140 for door leaf installations
- Mounting plate A130 for guide rail G694

### Colour:

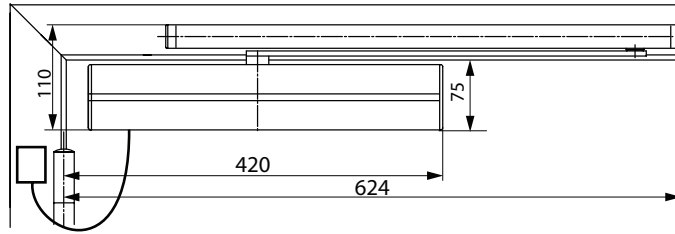
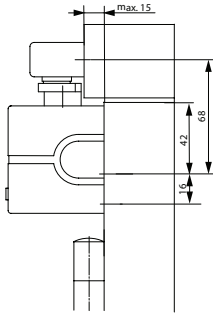
- Silver EV1
- White, similar to RAL9016
- Brown, similar to RAL8014
- Black, similar to RAL9005
- Customized finish

You can find the complete specification on the internet at: (Link of your companies homepage)

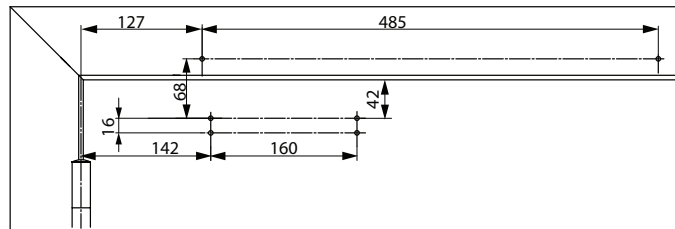
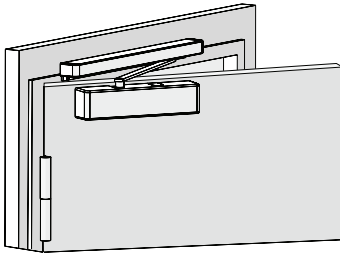
# DC640 with free swing function

## Dimensional drawings

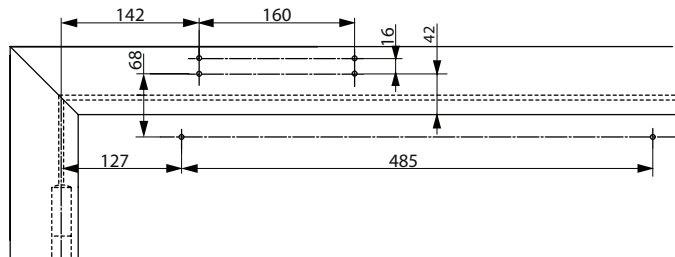
Freeswing



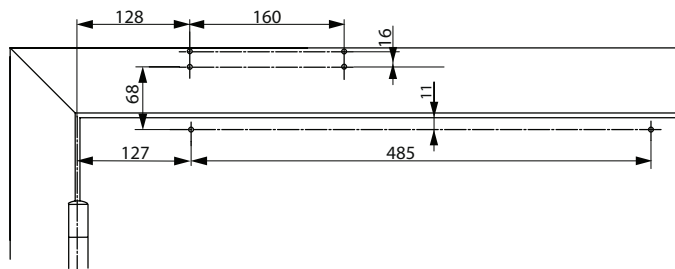
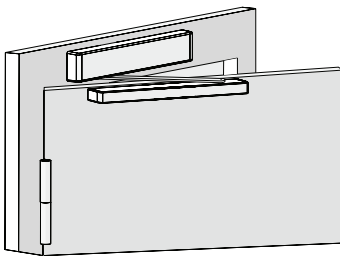
**Required space on doors**  
 Left handed shown in diagram  
 Right handed is the reverse



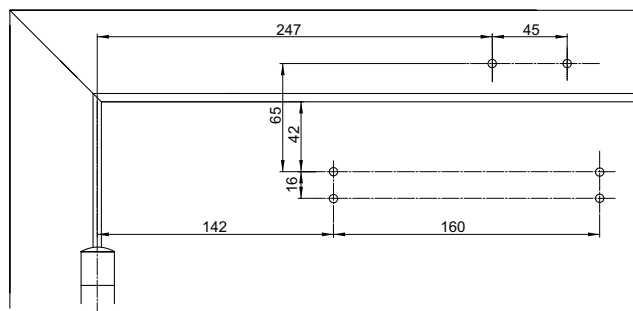
**Installation dimensions for standard mounting on hinge side with guide rail**  
 Left handed shown in diagram  
 Right handed is the reverse



**Installation dimension for standard mounting on non-hinge side with guide rail**  
 Closer on non-hinge side of door frame  
 Left handed shown in diagram  
 Right handed is the reverse



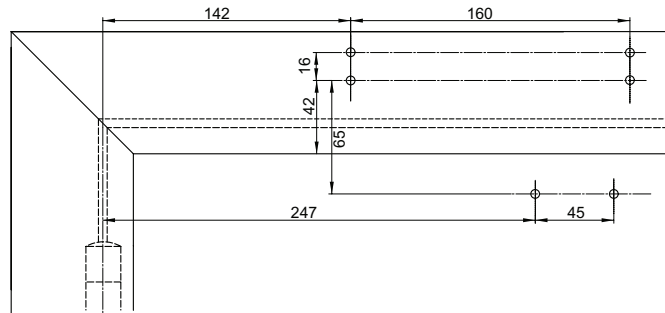
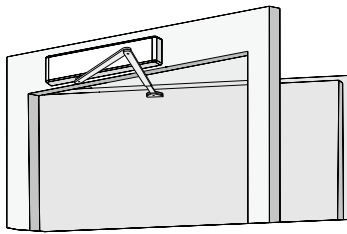
**Installation dimension for standard mounting on hinge side frame mounting with guide rail**  
 Closer on hinge side of door frame.  
 Left handed shown in diagram  
 Right handed is the reverse



**Installation dimension for standard mounting on hinge side with link arm**  
 Left handed shown in diagram  
 Right handed is the reverse

# DC640 with free swing function

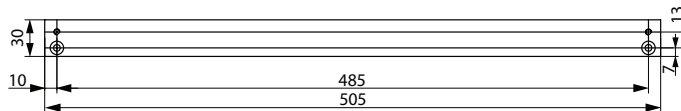
## Dimensional drawings



Installation dimension for standard mounting on non-hinge side with link arm

Closer on non-hinge side of door frame  
Left handed shown in diagram  
Right handed is the reverse

Mounting plate A130  
For guide rail G694



Freeswing

Description	Order no.
DC640 EN size 3 – 6 / EN size 3 - 4, silver EV1	
DC640 EN size 3 – 6 / EN size 3 - 4, white, similar to RAL 9016	
DC640 EN size 3 – 6 / EN size 3 - 4, brown, similar to RAL 8014	
DC640 EN size 3 – 6 / EN size 3 - 4, black, similar to RAL 9005	
DC640 EN size 3 – 6 / EN size 3 - 4, customized finish	
Link arm free swing L690, silver EV1	
Link arm free swing L690, white, similar to RAL 9016	
Link arm free swing L690, brown, similar to RAL 8014	
Link arm free swing L690, black, similar to RAL9005	

Description	Order no.
Link arm free swing L690, customized finish	
Guide rail free swing G694, silver EV1	
Guide rail free swing G694, white, similar to RAL9016	
Guide rail free swing G694, brown, similar to RAL8014	
Guide rail free swing G694, black, similar to RAL9005	
Guide rail free swing L694, customized finish	
Mounting plate A130, silver EV1	
Mounting plate A130, white, similar to RAL9016	
Mounting plate A130, brown, similar to RAL8014	
Mounting plate A130, black, similar to RAL9005	
Mounting plate A130, customized finish	



## Rack and pinion door closers

### Compact and convenient

#### Door closers with rack and pinions

ASSA ABLOY door closers with link arm impress thanks to their compact design and are highly versatile due to their rack & pinion technology.

The product can be used on both hinge and non hinge side of the door. Their convenient shape follows the typical Assa Abloy design and allows to integrate the door closer in different kind of door situations.

Doors equipped with these door closers can be opened easy and with low exertion by the elderly and disabled, as well as children.



ASSA ABLOY door closers with rack and pinion are highly versatile and impress due to their technology.





#### ASSA ABLOY DC300

- Rack and pinion closer with link arm L190
- Certified in compliance with EN 1154, size 3-6
- Suitable for fire and smoke protection doors
- For single action doors up to 1400 mm wide

#### Characteristics DC300

- Can be used with integrated concealed mounting plate, suitable for fire and smoke protection doors
- Can be used for left and right-handed doors
- Link arm height-adjustable up to 14 mm
- Closing speed, latching speed and backcheck adjustable via front facing regulating valves
- Thermodynamic valves for consistent performance
- Variable adjustable closing force
- Opening angle up to 180°
- Effective backcheck and latching speed range adjustable
- Large range of applications
- Standard colours: silver EV1; white, similar to RAL9016; brown, similar to RAL8014; black, similar to RAL9005
- Customized finishes available on request

#### Characteristics for hold open link arm L191

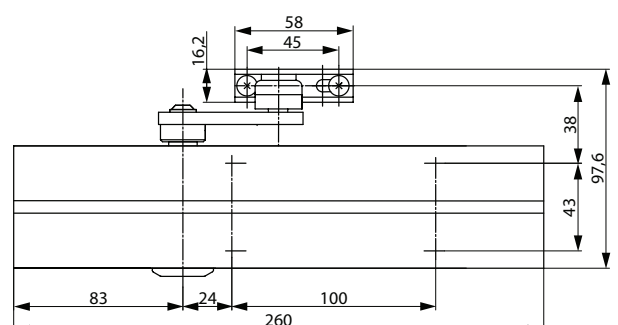
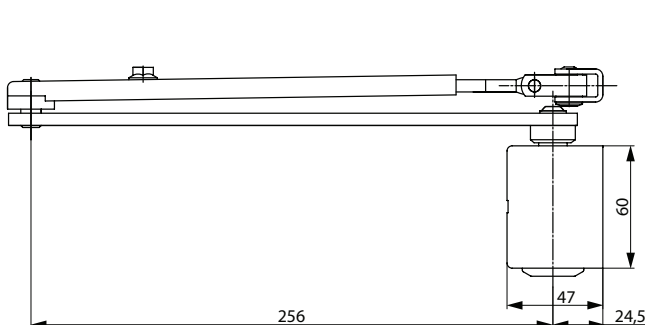
- Hold-open angle adjustable up to 150°
- Hold-open mode can be enabled and disabled as required
- Same installation as link arm
- Cannot be used with fire and smoke protection doors

#### Characteristics for special model DC300DA

- Delayed closing adjustable from front
- Other features as in Model DC300



CE	ASSA ABLOY Sicherheitstechnik GmbH Bildstockstraße 20 72458 Albstadt	10
	1162-CPD-0485 EN 1154:1996+A1:2002	4 8 6 3 1 1 4
Dangerous substances: None		





## Technical attributes

Technical attributes	
Variable adjustable closing force	EN 3-6
Door width up to	1400 mm
Fire and smoke protection	yes
Door swing directions	Left / right handed
Closing speed	Variable between 180°-0°
Latching speed	Variable between 15°-0°
Backcheck	Variable above 75°
Delayed closing (DC300DA)	yes
Hold-open mode (with hold-open link arm L191)	Adjustable 75°-150°, can be enabled and disabled
Weight	1.9 kg
Height	60 mm
Depth	47 mm
Length	260 mm
Certified in compliance with	EN 1154
CE marking for building products	yes

### The advantages at a glance

Our service for you: here you can see the individual advantages of our door closer models for your respective field of business.

Customer segment	Advantages
<b>Project planners</b>	<ul style="list-style-type: none"> <li>- Extensive range of uses: Fire and smoke protection doors as well as standard doors</li> <li>- Modern design</li> <li>- Compact design</li> <li>- Fulfills barrier-free building requirements</li> <li>- Same dimensions and design with and without mounting plate</li> <li>- Comprehensive functions, standard and optional</li> </ul>
<b>Builders</b>	<ul style="list-style-type: none"> <li>- One drilling template overall</li> <li>- Adjustable to nearly all door and frame types</li> <li>- Quick and easy installation</li> <li>- Quickly and easily adjustable</li> <li>- Suitable for left and right handed doors, in both door and frame mounted applications</li> </ul>
<b>Trade</b>	<ul style="list-style-type: none"> <li>- Reduced inventory costs due to modular product range</li> <li>- One single product suitable for a large variety of mounting positions</li> <li>- Complementary accessories available for the whole product range</li> </ul>
<b>User</b>	<ul style="list-style-type: none"> <li>- Largely unaffected by temperature fluctuations thanks to thermodynamic valves</li> <li>- Easier door opening and improved accessibility due to rapidly decreasing torque</li> <li>- Backcheck feature offers optimum protection for doors and walls</li> </ul>

### Specifications for DC300

ASSA ABLOY Door Closer DC300 featuring rack and pinion technology in compliance with EN 1154

- Closing power adjustable, EN size 3-6, for doors up to 1400 mm wide
- Closing speed, latching speed and backcheck adjustable via front facing regulating valves
- Can be used with integrated concealed mounting plate, suitable for fire and smoke protection doors
- CE approved
- 14 mm height adjustable arm system for ease of fitting
- Suitable for left and right handed doors

### Accessories:

- Link arm L190
- Hold-open link arm L191
- Mounting plate A120
- Angle bracket A123
- Parallel arm bracket for parallel arm mounting A154

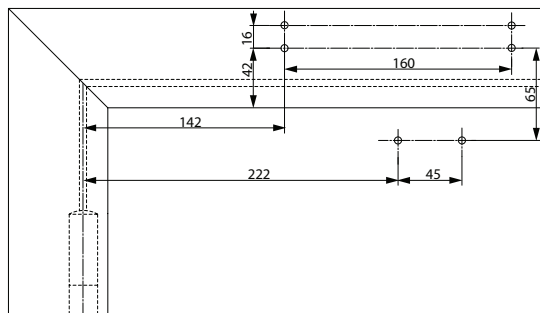
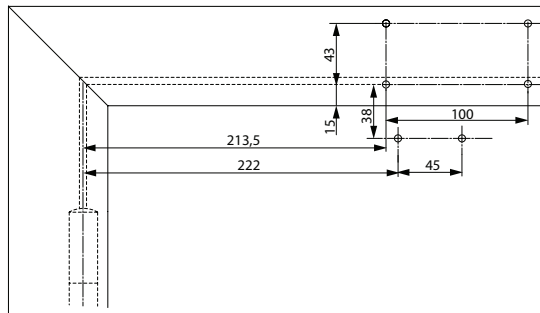
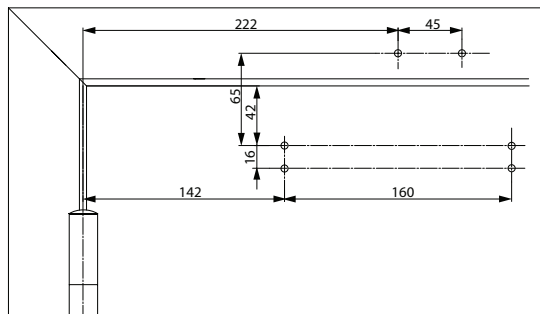
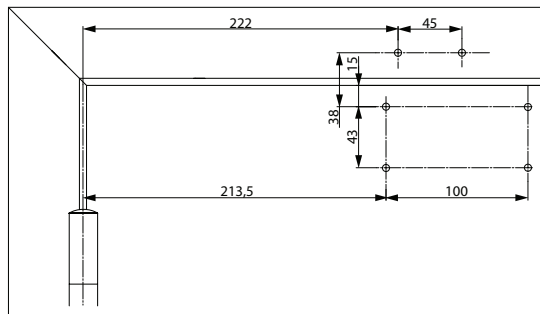
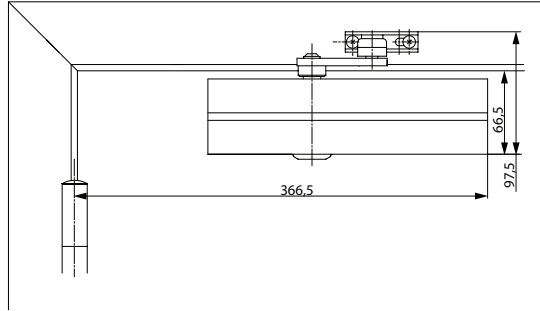
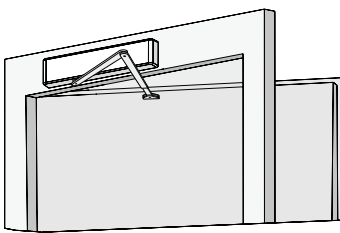
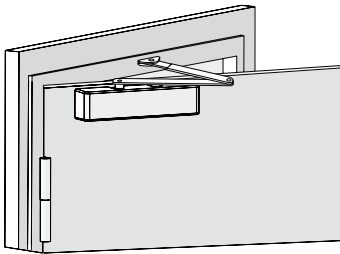
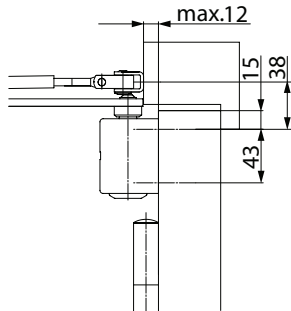
### Colour:

- Silver EV1
- White, similar to RAL9016
- Brown, similar to RAL8014
- Black, similar to RAL9005
- Customized finish

You can find the complete specification on the internet at: (Link of your company's homepage)

Dimensional drawings

Rack & Pinion systems



Required space on doors

Left handed shown in diagram  
Right handed is the reverse

Installation dimensions for direct mounting

Left handed shown in diagram  
Right handed is the reverse

Installation dimensions with mounting plate

In compliance with EN 1154, Supplement 1, or for doors where direct mounting is not possible.  
Left handed shown in diagram  
Right handed is the reverse

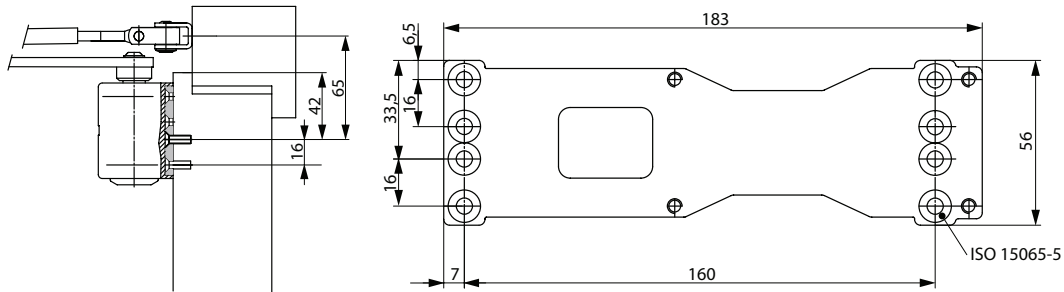
Frame mounting

Closer on non-hinge side of door frame  
Right handed door shown in diagram  
Left handed door is the reverse

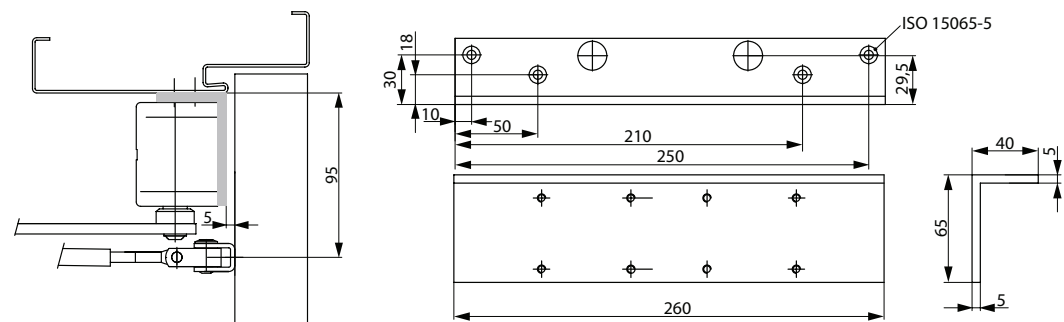
Installation dimensions with mounting plate for frame mounting

Closer on non-hinge side of door frame. For doors where direct mounting is not possible.  
Right handed door shown in diagram  
Left handed door is the reverse

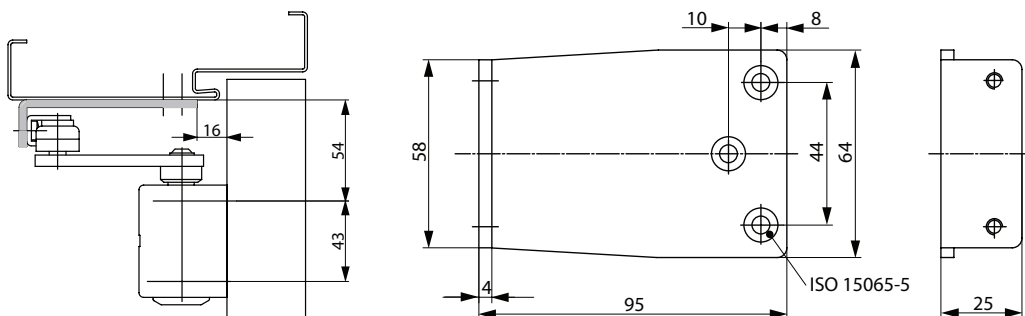
# DC300 Accessories



**Mounting plate A120**  
For mounting with drilling template acc. to EN 1154 Supplement 1 (fire and smoke protection doors) and for universal use



**Angle bracket A123**  
For frame mounting in case of deep jamb, headroom reduced by 70 mm. Check suitability for use on fire and smoke protection doors.



**Parallel arm bracket A154**  
For Parallel Arm installation. Check suitability for use on fire and smoke protection doors.

Description	Order no.
DC300, EN size 3-6, silver EV1	
DC300, EN size 3-6, white, similar to RAL9016	
DC300, EN size 3-6, brown, similar to RAL8014	
DC300, EN size 3-6, black, similar to RAL9005	
DC300, EN size 3-6, customized finish	
DC300DA, size 3-6, silver EV1	
DC300DA, size 3-6, white, similar to RAL9016	
DC300DA, size 3-6, brown, similar to RAL8014	
DC300DA, size 3-6, black, similar to RAL9005	
DC300DA, size 3-6, customized finish	
Link arm L190, silver EV1	
Link arm L190, white, similar to RAL9016	
Link arm L190, brown, similar to RAL8014	
Link arm L190, black, similar to RAL9005	
Link arm L190, customized finish	
Hold-open link arm L191, silver EV1	
Hold-open link arm L191, white, similar to RAL9016	
Hold-open link arm L191, brown, similar to RAL8014	

Description	Order no.
Hold-open link arm L191, black, similar to RAL9005	
Hold-open link arm L191, customized finish	
Mounting plate A120, galvanised	
Angle bracket A123, silver EV1	
Angle bracket A123, white, similar to RAL9016	
Angle bracket A123, brown, similar to RAL8014	
Angle bracket A123, black, similar to RAL9005	
Angle bracket A123, customized finish	
Parallel arm bracket A154, silver EV1	
Parallel arm bracket A154, white, similar to RAL9016	
Parallel arm bracket A154, brown, similar to RAL8014	
Parallel arm bracket A154, black, similar to RAL9005	
Parallel arm bracket A154, customized finish	

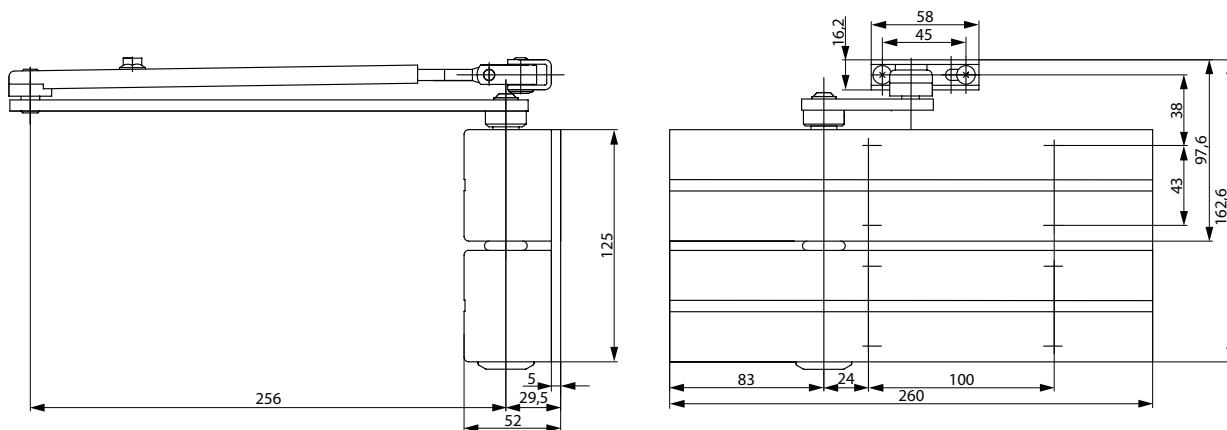


### ASSA ABLOY DC300 Tandem

- Rack and pinion closer with link arm L190
- Two door closer are interlinked for extra wide and heavy doors
- Double closing torque of DC300, EN size >7
- For single action doors up to 1800 mm wide

### Characteristics DC300 Tandem

- Suitable for fire and smoke protection doors
- Tandem mounting plate A121 generally required
- Can only be used with a link arm
- Can be used for left and right-handed doors
- Link arm height-adjustable up to 14 mm
- Closing speed, latching speed and backcheck adjustable via front facing regulating valves
- Thermodynamic valves for consistent performance
- Variable adjustable closing force
- Opening angle up to 180°
- Effective backcheck and latching speed range adjustable
- Large range of applications
- Standard colours: silver EV1



# DC300 Tandem

## Technical attributes

Technical attributes	
Variable adjustable closing force	EN >7 (2 x DC300)
Door width up to	1800 mm
Door swing directions	Left / right handed
Closing speed	Variable between 180°-0°
Latching speed	Variable between 15°-0°
Backcheck	Variable above 75°
Hold-open mode	e.g. for external holding magnet
Weight in kg	4,8 kg
Height	125 mm
Depth	52 mm
Length	260 mm
Certified in compliance with	EN 1154 (DC300)
CE marking for building products	yes (DC300)

### The advantages at a glance

Our service for you: here you can see the individual advantages of our door closer models for your respective field of business.

Customer segment	Advantages
<b>Project planners</b>	- Extensive range of uses, also for extra large and heavy doors
<b>Builders</b>	- One drilling template overall - Standard door closers DC300 can be used with tandem mounting plates - Quick and easy installation - Quickly and easily adjustable - Suitable for left and right handed doors, in both door and frame mounted applications - Easily retrofitted with minimal rework
<b>Trade</b>	- Reduced inventory costs due to modular product range
<b>User</b>	- No reworking of door element for upgrade to tandem

### Specifications for DC300 Tandem

- ASSA ABLOY Door Closer DC300 Tandem with link arm
- Closing power continuously adjustable, EN size >7, for doors up to 1800 mm wide
  - Closing speed, latching speed and backcheck adjustable via front facing regulating valves
  - Can be used with mounting plate for fire and smoke protection doors
  - 14 mm height adjustable arm system for ease of fitting
  - Suitable for left and right handed doors

### Consists of:

- 2 pieces DC300
- 1 piece mounting plates A121 (One piece of accessory pack contains mounting plate A121, extra long spindle and screw pack)
- 1 piece link arm L190

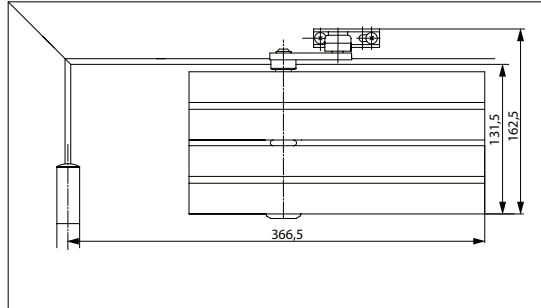
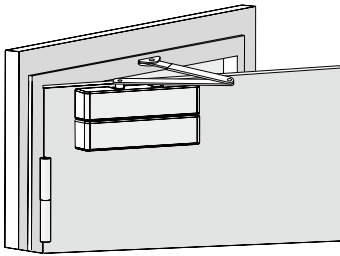
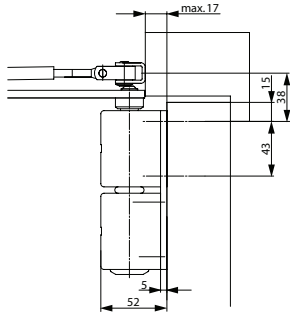
### Colour:

- Silver EV1

You can find the complete specification on the internet at: (Link of your company's homepage)

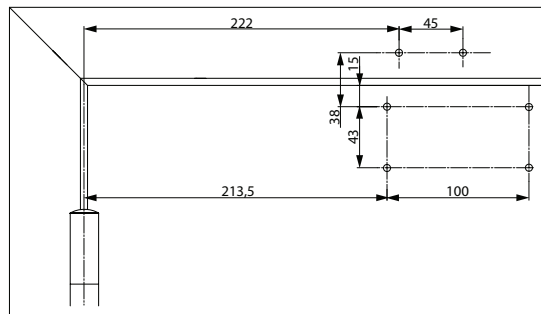
# DC300 Tandem

## Dimensional drawings



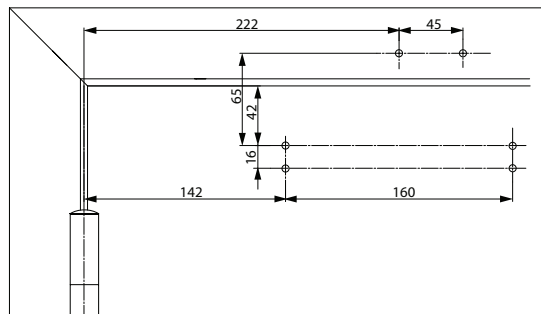
### Required space on doors

Left handed shown in diagram  
Right handed is the reverse



### Installation dimensions for direct mounting

Left handed shown in diagram  
Right handed is the reverse

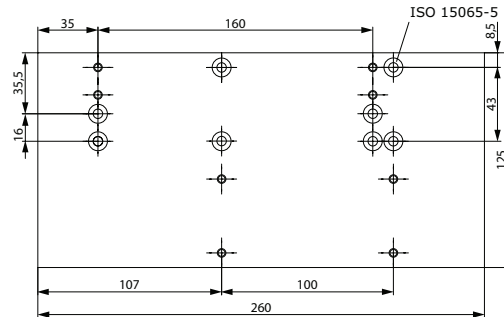
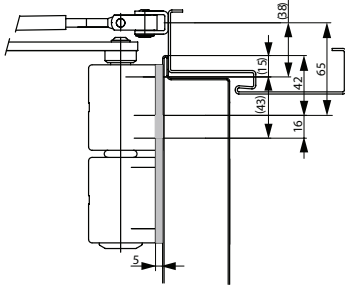


### Installation dimensions

In compliance with EN 1154, Supplement 1, or for doors where direct mounting is not possible.  
Left handed shown in diagram  
Right handed is the reverse

# DC300 Tandem

## Accessories



### Mounting plate A121

For mounting with drilling template acc. to EN 1154 Supplement 1 (fire and smoke protection doors) and for direct mounting.

Tandem consists of (please order accordingly):

Description	Order no.
2 pieces DC300, EN size 3-6, silver EV1	
1 piece Mounting plate A121, silver EV1	
1 piece Link arm L190, silver EV1	



#### ASSA ABLOY DC347

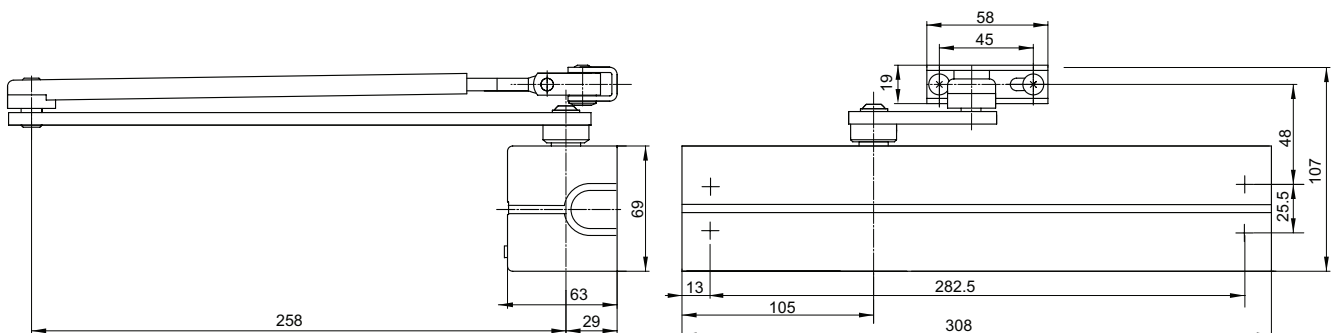
- Rack and pinion door closer with extra strong link arm L197
- Certified in compliance with EN 1154, size 5 - 7
- Suitable for fire and smoke protection doors
- For single action doors up to 1600 mm wide

#### Characteristics DC347

- For single action doors up to 1600 mm wide
- Can be used with integrated concealed mounting plate, suitable for fire and smoke protection doors
- Can be used for left and right handed doors
- Link arm height-adjustable up to 14 mm
- Closing speed, latching speed and backcheck adjustable via front facing regulating valves
- Thermodynamic valves for consistent performance
- Variable adjustable closing force
- Opening angle up to 180°
- For heavy door applications
- Standard colours: silver EV1; white, similar to RAL9016; brown, similar to RAL8014; black, similar to RAL9005
- Customized finishes available on request



CE	Abloy Oy	04
	PO Box 108 80101 Joensuu, Finland	
1162-CPD-0131	EN1154:1996+A1:2002	4 8 7 1 1 3





## Technical attributes

Technical attributes	
Variable adjustable closing force	EN 5-7
Door width up to	1600 mm
Fire and smoke protection	yes
Door swing directions	Left / right handed
Closing speed	Variable between 180°-0°
Latching speed	Variable between 15°-0°
Backcheck	Variable above 75°
Weight	2.2 kg
Height	69 mm
Depth	63 mm
Length	308 mm
Certified in compliance with	EN 1154
CE marking for building products	yes

### The advantages at a glance

Our service for you: here you can see the individual advantages of our door closer models for your respective field of business.

Customer segment	Advantages
<b>Project planners</b>	<ul style="list-style-type: none"> <li>- For heavy doors, fire and smoke protection doors as well as standard doors</li> <li>- Modern design</li> <li>- Compact design</li> <li>- Same dimensions and design with and without mounting plate</li> </ul>
<b>Builders</b>	<ul style="list-style-type: none"> <li>- Quick and easy installation</li> <li>- Quickly and easily adjustable</li> <li>- Suitable for left and right handed doors, in both door and frame mounted applications</li> </ul>
<b>Trade</b>	<ul style="list-style-type: none"> <li>- One single product suitable for a large variety of mounting positions</li> <li>- Complimentary accessories available</li> </ul>
<b>User</b>	<ul style="list-style-type: none"> <li>- Largely unaffected by temperature fluctuations thanks to thermodynamic valves</li> <li>- Enough closing force for all type of heavy doors</li> <li>- Backcheck feature offers optimum protection for doors and walls</li> </ul>

### Specifications for DC347

ASSA ABLOY Door Closer DC347 featuring rack and pinion technology in compliance with EN 1154

- Closing power variable adjustable, EN size 5 - 7, for doors up to 1600 mm wide
- Closing speed, latching speed and backcheck adjustable via front facing regulating valves
- Can be used with integrated concealed mounting plate, suitable for fire and smoke protection doors
- CE approved
- 14 mm height adjustable arm system for ease of fitting
- Suitable for left and right handed doors

### Accessories:

- Extra strong link arm L197
- Mounting plate A126
- Angle bracket A107

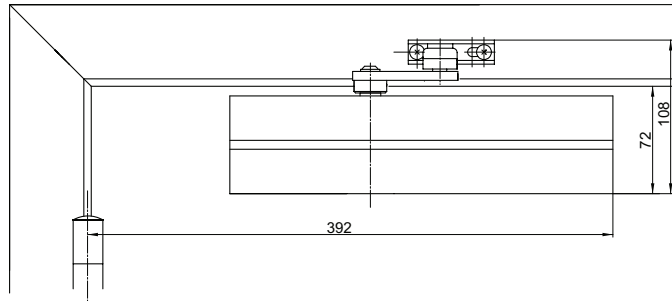
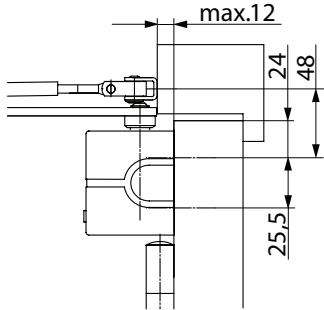
### Colour:

- Silver EV1
- White, similar to RAL9016
- Brown, similar to RAL8014
- Black, similar to RAL9005
- Customized finish

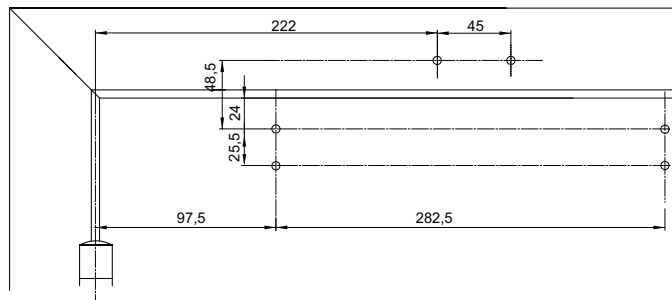
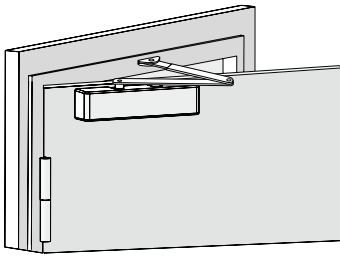
You can find the complete specification on the internet at: (Link of your companies homepage)

Dimensional drawings

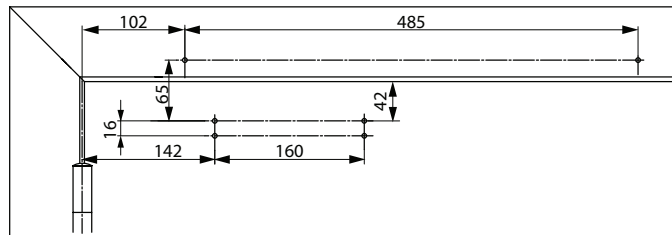
Rack & Pinion systems



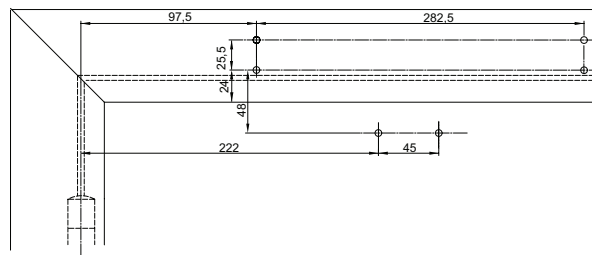
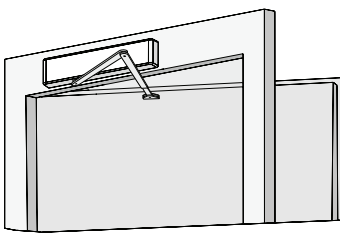
**Regular door mounting**  
 Left handed door shown in diagram  
 Right handed door is the reverse



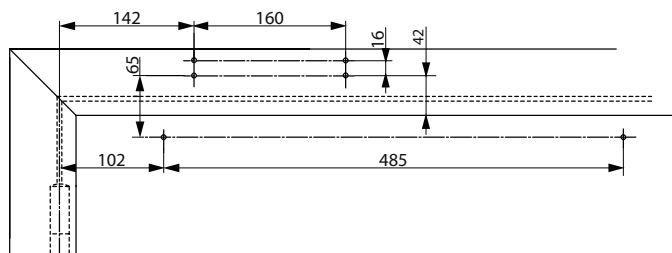
**Installation dimension for direct mounting**  
 Left handed shown in diagram  
 Right handed is the reverse



**Installation dimensions with mounting plate**  
 In compliance with EN 1154, Supplement 1, or for doors where direct mounting is not possible.  
 Left handed shown in diagram  
 Right handed is the reverse

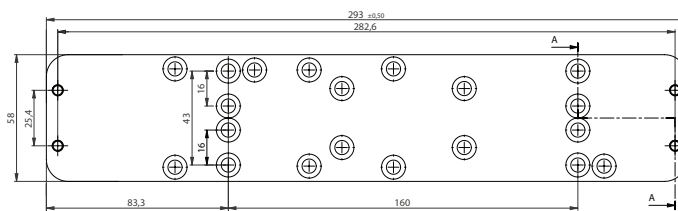
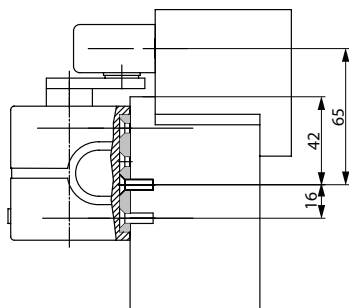


**Frame mounting**  
 Closer on hinge side of door frame.  
 Left handed shown in diagram  
 Right handed is the reverse

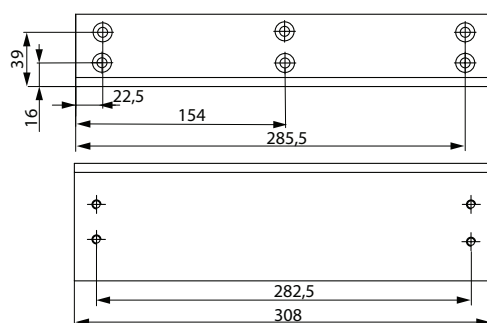


**Installation dimensions with mounting plate for frame mounting**  
 Closer on non-hinge side of door frame. For doors where direct mounting is not possible.  
 Left handed shown in diagram  
 Right handed is the reverse

## Dimensional drawings



**Mounting plate A126**  
 For mounting with drilling template acc. to EN 1154 Supplement 1 (fire and smoke protection doors) and for universal use



**Angle bracket A107**  
 For frame mounting in case of deep jamb, headroom reduced by 80 mm. Check suitability for use on fire and smoke protection doors.

Description	Order no.
DC347, EN size 5-7, silver EV1	
DC347, EN size 5-7, white, similar to RAL9016	
DC347, EN size 5-7, brown, similar to RAL8014	
DC347, EN size 5-7, black, similar to RAL9005	
DC347, EN size 5-7, customized finish	
Extra strong link arm L197, silver EV1	
Extra strong link arm L197, white, similar to RAL9016	

Description	Order no.
Extra strong link arm L197, brown, similar to RAL8014	
Extra strong link arm L197, black, similar to RAL9005	
Extra strong link arm L197, customized finish	
Mounting plate A126, galvanised	
Angle bracket A107, silver EV1	
Angle bracket A107, customized finish	



CE	ASSA ABLOY	10
	Sicherheitstechnik GmbH Bildstockstraße 20 72458 Albstadt	
1162-CPD-0484	EN 1154:1996+A1:2002	4 8 4 2 1 1 4
Dangerous substances: None		

#### ASSA ABLOY DC200

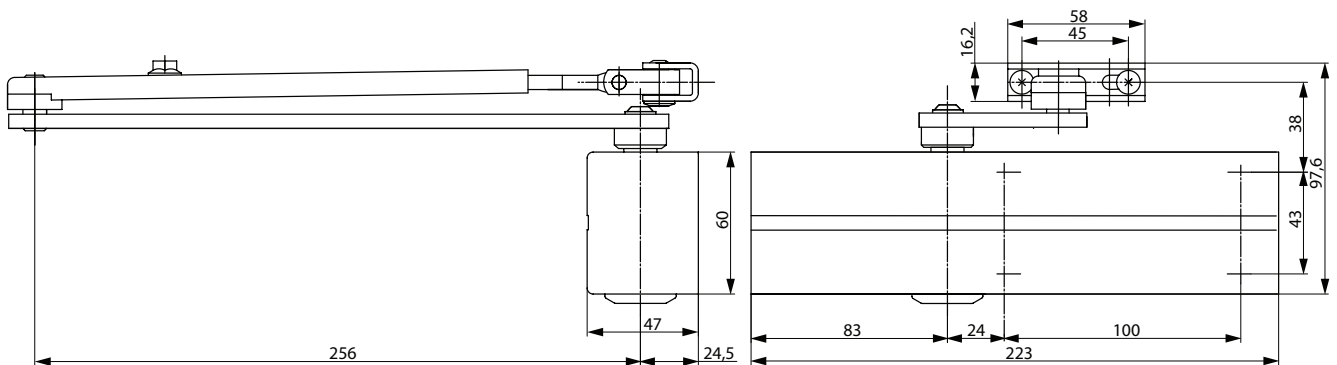
- Rack and pinion closer with link arm L190
- Certified in compliance with EN 1154, size 2-4
- Suitable for fire and smoke protection doors
- For single action doors up to 1100 mm wide

#### Characteristics DC200

- Can be used with integrated concealed mounting plate, suitable for fire and smoke protection doors
- Can be used for left and right-handed doors
- Link arm height-adjustable up to 14 mm
- Closing speed, latching speed and backcheck adjustable via front facing regulating valves
- Thermodynamic valves for consistent performance
- Variable adjustable closing force
- Opening angle up to 180°
- Effective backcheck and latching speed range adjustable
- Large range of applications
- Standard colours: silver EV1; white, similar to RAL9016; brown, similar to RAL8014; black, similar to RAL9005
- Customized finishes available on request

#### Characteristics for hold open link arm L191

- Hold-open angle adjustable up to 150°
- Hold-open mode can be enabled and disabled as required
- Same installation as link arm
- Cannot be used with fire and smoke protection doors



# DC200

## Technical attributes

Technical attributes	
Variable adjustable closing force	EN 2-4
Door width up to	1100 mm
Fire and smoke protection	Yes
Door swing directions	Left / right handed
Closing speed	Variable between 180°-0°
Latching speed	Variable between 15°-0°
Backcheck	Variable above 75°
Hold-open mode (with hold-open link arm L191)	Adjustable 75°-150°, can be enabled and disabled
Weight	1.6 kg
Height	60 mm
Depth	47 mm
Length	223 mm
Certified in compliance with	EN 1154
CE marking for building products	Yes

### The advantages at a glance

Our service for you: here you can see the individual advantages of our door closer models for your respective field of business.

Customer segment	Advantages
<b>Project planners</b>	<ul style="list-style-type: none"> <li>- Extensive range of uses: Fire and smoke protection doors as well as standard doors</li> <li>- Modern design</li> <li>- Compact design</li> <li>- Fulfills barrier-free building requirements</li> <li>- Same dimensions and design with and without mounting plate</li> </ul>
<b>Builders</b>	<ul style="list-style-type: none"> <li>- One drilling template overall</li> <li>- Adjustable to nearly all door and frame types</li> <li>- Quick and easy installation</li> <li>- Quickly and easily adjustable</li> <li>- Suitable for left and right handed doors, in both door and frame mounted applications</li> </ul>
<b>Trade</b>	<ul style="list-style-type: none"> <li>- Reduced inventory costs due to modular product range</li> <li>- One single product suitable for a large variety of mounting positions</li> <li>- Complementary accessories available for the whole product range</li> </ul>
<b>User</b>	<ul style="list-style-type: none"> <li>- Largely unaffected by temperature fluctuations thanks to thermodynamic valves</li> <li>- Easier door opening and improved accessibility due to rapidly decreasing torque</li> <li>- Backcheck feature offers optimum protection for doors and walls</li> </ul>

You can find the complete specification on the internet at: (Link of your company's homepage)

### Specifications for DC200

- ASSA ABLOY Door Closer DC200 featuring rack and pinion technology in compliance with EN 1154
- Closing power variable adjustable, EN size 2-4, for doors up to 1100 mm wide
  - Closing speed, latching speed and backcheck adjustable via front facing regulating valves
  - Can be used with integrated concealed mounting plate, suitable for fire and smoke protection doors
  - CE approved
  - 14 mm height adjustable arm system for ease of fitting
  - Suitable for left and right handed doors

### Accessories:

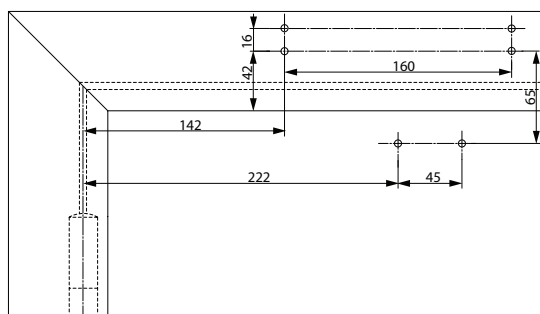
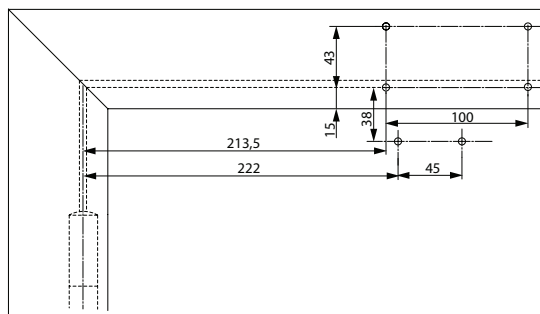
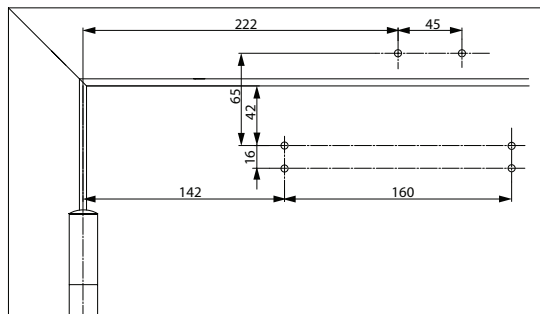
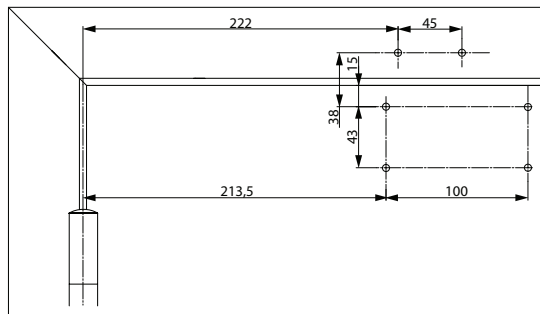
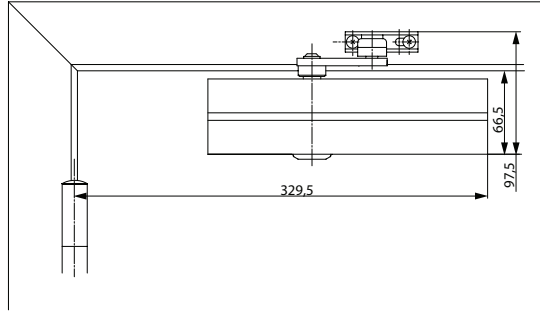
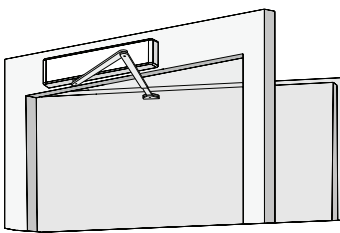
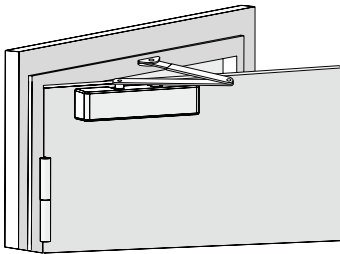
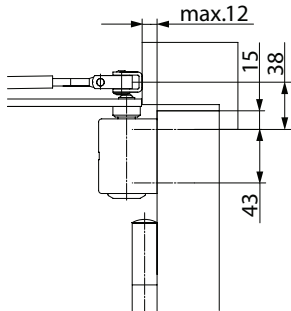
- Link arm L190
- Hold-open link arm L191
- Mounting plate A120
- Angle bracket A122
- Parallel arm bracket for parallel arm mounting A154

### Colour:

- Silver EV1
- White, similar to RAL9016
- Brown, similar to RAL8014
- Black, similar to RAL9005
- Customized finish

Dimensional drawings

Rack & Pinion systems



Required space on doors

Left handed shown in diagram  
Right handed is the reverse

Installation dimensions for direct mounting

Left handed shown in diagram  
Right handed is the reverse

Installation dimensions with mounting plate

In compliance with EN 1154, Supplement 1, or for doors where direct mounting is not possible.  
Left handed shown in diagram  
Right handed is the reverse

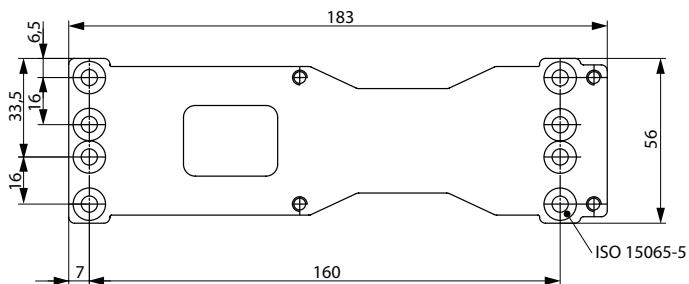
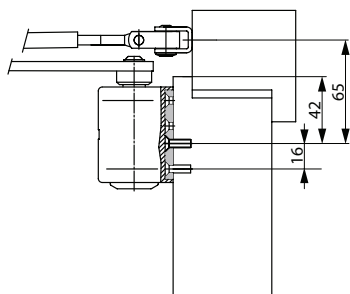
Frame mounting

Closer on non-hinge side of door frame  
Right handed door shown in diagram  
Left handed door is the reverse

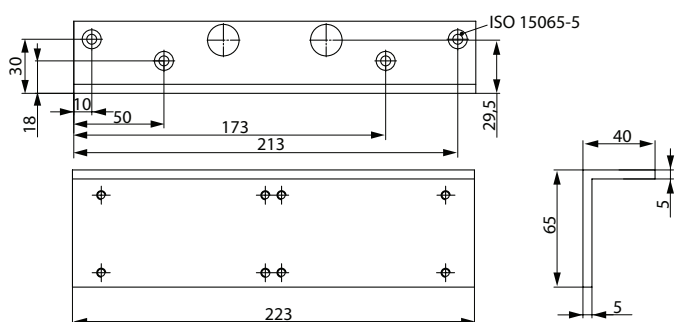
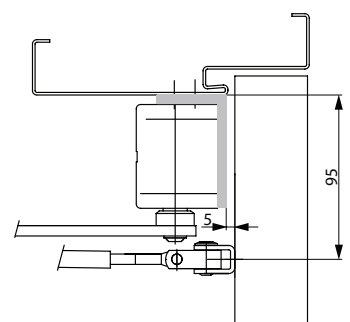
Installation dimensions with mounting plate for frame mounting

Closer on non-hinge side of door frame. For doors where direct mounting is not possible.  
Right handed door shown in diagram  
Left handed door is the reverse

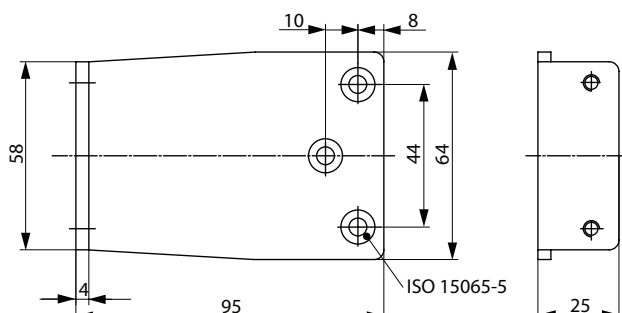
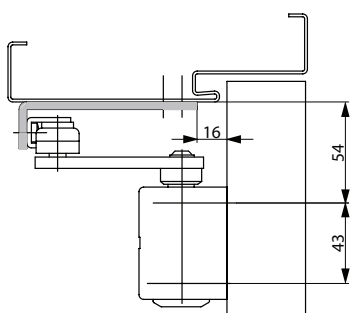
# DC200 Accessories



**Mounting plate A120**  
For mounting with drilling template acc. to EN 1154 Supplement 1 (fire and smoke protection doors) and for universal use



**Angle bracket A122**  
For frame mounting in case of deep jamb, headroom reduced by 70 mm. Check suitability for use on fire and smoke protection doors.



**Parallel arm bracket A154**  
For Parallel Arm installation. Check suitability for use on fire and smoke protection doors.

Description	Order no.
DC200, EN size 2-4, silver EV1	
DC200, EN size 2-4, white, similar to RAL9016	
DC200, EN size 2-4, brown, similar to RAL8014	
DC200, EN size 2-4, black, similar to RAL9005	
DC200, EN size 2-4, customized finish	
Link arm L190, silver EV1	
Link arm L190, white, similar to RAL9016	
Link arm L190, brown, similar to RAL8014	
Link arm L190, black, similar to RAL9005	
Link arm L190, customized finish	
Hold-open link arm L191, silver EV1	
Hold-open link arm L191, white, similar to RAL9016	
Hold-open link arm L191, brown, similar to RAL8014	
Hold-open link arm L191, black, similar to RAL9005	

Description	Order no.
Hold-open link arm L191, customized finish	
Mounting plate A120, galvanised	
Angle bracket A122, silver EV1	
Angle bracket A122, white, similar to RAL9016	
Angle bracket A122, brown, similar to RAL8014	
Angle bracket A122, black, similar to RAL9005	
Angle bracket A122, customized finish	
Parallel arm bracket A154, silver EV1	
Parallel arm bracket A154, white, similar to RAL9016	
Parallel arm bracket A154, brown, similar to RAL8014	
Parallel arm bracket A154, black, similar to RAL9005	
Parallel arm bracket A154, customized finish	



#### ASSA ABLOY DC140

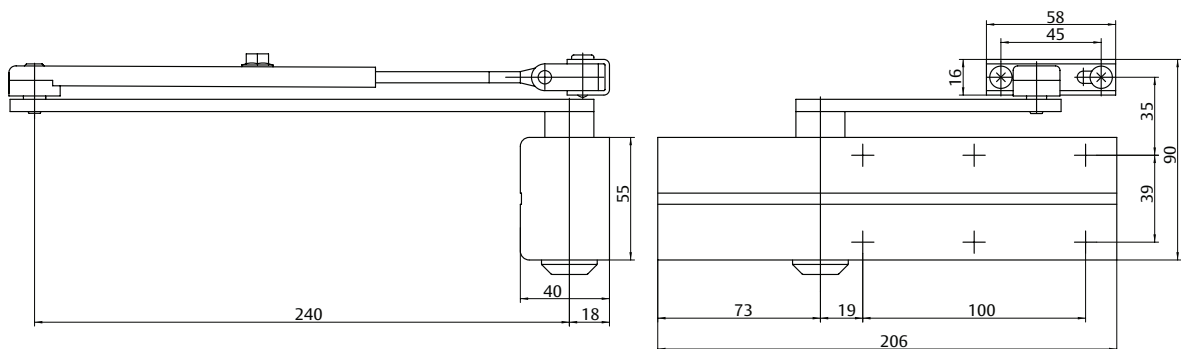
- Rack and pinion door closer with link arm
- Certified in compliance with EN 1154, size 2/3/4
- For single action doors up to 1100 mm wide

#### Characteristics DC140

- Can be used for left and right-handed doors
- Suitable for fire and smoke protection doors
- Closing speed, latching speed and backcheck adjustable via front facing regulating valves
- Thermodynamic valves for consistent performance
- Closing force configurable
- Opening angle up to 180°
- Standard colours: silver EV1; white, similar to RAL9016; black, similar to RAL9005



CE	ASSA ABLOY Sicherheitstechnik GmbH Bildstockstraße 20 72458 Albstadt	11
	1162-CPD-0534 EN 1154:1996+A1:2002 4 8 2/3/4 1 1 4	
Dangerous substances: None		



Our service for you: here you can see the individual advantages of our door closer models for your respective field of business.

#### The advantages at a glance

Customer segment	Advantages
<b>Project planners</b>	- Compact design - Modern design - Favourably priced, reliable closer model
<b>Builders</b>	- Quick and easy installation - Can be used for left and right-handed doors - Easy to adjust
<b>Trade</b>	- Inexpensive closer model for standard doors - All-inclusive package with door closer and link arm
<b>User</b>	- Largely unaffected by temperature fluctuations thanks to thermodynamic valves - Backcheck feature offers optimum protection for doors and walls



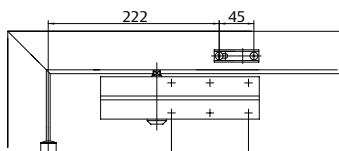
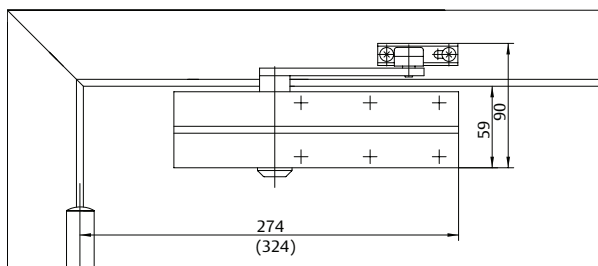
# DC140

## Technical attributes

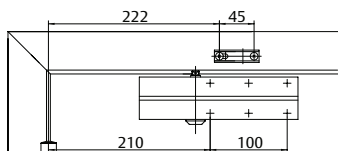
Technical attributes	
Closing force configurable	EN 2/3/4
Door width up to	1100 mm
Fire and smoke protection	yes
Door swing directions	Left / right handed
Closing speed	Variable between 180°-0°
Latching speed	Variable between 15°-0°
Backcheck	Variable above 75°
Weight	1.75 kg
Height	55 mm
Depth	40 mm
Length	206 mm
Certified in compliance with	EN 1154
CE marking for building products	yes

### Required space on doors

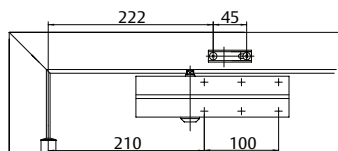
Left handed shown in diagram  
Right handed is the reverse



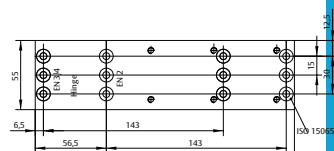
Installation dimensions EN2



Installation dimensions EN3



Installation dimensions EN4



Mounting Plate A161

Rack & Pinion systems

You can find the complete specification on the internet at: [\(Link of your companies homepage\)](#)

### Specifications for DC140

- ASSA ABLOY Door Closer DC140 featuring rack and pinion technology in compliance with EN 1154
- Closing force configurable, EN size 2/3/4, for doors up to 1100 mm wide
  - Closing speed, latching speed and backcheck continuously adjustable
  - Suitable for fire and smoke protection doors
  - CE approved
  - Suitable for left and right handed doors

### Colour:

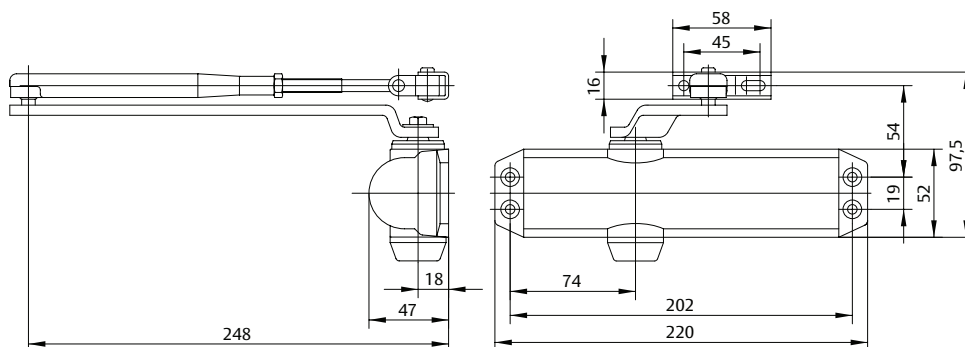
- Silver EV1
- White, similar to RAL9016
- Black, similar to RAL9005

Description	Order no.
DC140 EN size 2/3/4, silver EV1	
DC140 EN size 2/3/4, white, similar to RAL9016	
DC140 EN size 2/3/4, black, similar to RAL9005	
DC140 body EN size 2/3/4, silver EV1	
DC140 body EN size 2/3/4, white, similar to RAL9016	
DC140 body EN size 2/3/4, black, similar to RAL9005	
Link arm L140, silver EV1	
Link arm L140, white, similar to RAL9016	
Link arm L140, black, similar to RAL9005	

Description	Order no.
Hold-open link arm L141, silver EV1	
Hold-open link arm L141, white, similar to RAL9016	
Hold-open link arm L141, black, similar to RAL9005	
Guide rail G143, silver EV1	
Guide rail G143, white, similar to RAL9016	
Guide rail G143, black, similar to RAL9005	
Mounting Plate A161, white, similar to RAL9016	
Mounting Plate A161, silver EV1	
Mounting Plate A161, black, similar to RAL9005	



CE	ASSA ABLOY Sicherheitstechnik GmbH Bildstockstraße 20 72458 Albstadt	11
	1162-CPD-0535 EN 1154:1996+A1:2002 +AC:2006	
Dangerous substances: None		



#### ASSA ABLOY DC120

- Rack and pinion door closer with link arm
- Certified in compliance with EN 1154, size 2/3/4
- For single action doors up to 1100 mm

#### Characteristics DC120

- Can be used for left and right-handed doors
- Suitable for fire and smoke protection doors
- Closing speed, latching speed and backcheck continuously adjustable using regulating valves
- Thermodynamic valves for consistent performance
- Closing force configurable
- Opening angle up to 180° (105° in mounting position EN size 4)
- Standard colours: silver EV1; white, similar to RAL9016; black, similar to RAL9005

Our service for you: here you can see the individual advantages of our door closer models for your respective field of business.

#### The advantages at a glance

Customer segment	Advantages
Project planners	- Compact design - Favourably priced, reliable closer model
Builders	- Quick and easy installation - Suitable for left and right handed doors - Easy to adjust
Trade	- Inexpensive closer model for standard doors - All-inclusive package with door closer and link arm
User	- Largely unaffected by temperature fluctuations thanks to thermodynamic valves - Backcheck feature offers optimum protection for doors and walls

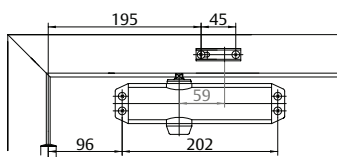
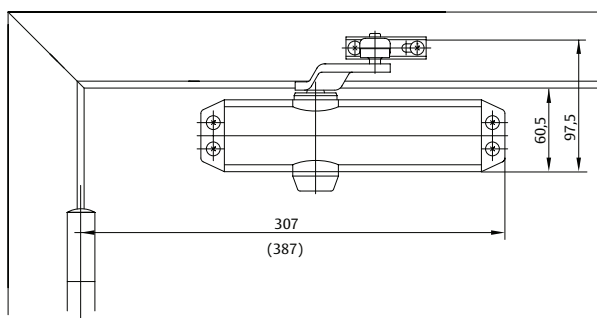
# DC120

## Technical attributes

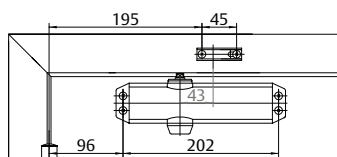
Technical attributes	
Closing force configurable	EN 2/3 (4)
Door width up to	950 mm (1100 mm)
Fire and smoke protection	yes
Door swing directions	Left / right handed
Closing speed	Variable between 180°-0°
Latching speed	Variable between 15°-0°
Backcheck	Variable above 75°
Weight	1.6 kg
Height	52 mm
Depth	47 mm
Length	220 mm
Certified in compliance with	EN 1154
CE marking for building products	yes

### Required space on doors

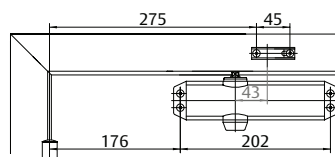
Left handed shown in diagram  
Right handed is the reverse



Installation dimensions EN2



Installation dimensions EN3



Installation dimensions EN4

Rack & Pinion systems

You can find the complete specification on the internet at: [\(Link of your companies homepage\)](#)

### Specifications for DC120

- ASSA ABLOY Door Closer DC120 featuring rack and pinion technology in compliance with EN 1154
- Closing force configurable, EN size 2/3 (4), for doors up to 950 mm (1100 mm) wide
  - Closing speed, latching speed and backcheck continuously adjustable
  - Suitable for fire and smoke protection doors
  - CE approved
  - Suitable for left and right handed doors

### Colour:

- Silver EV1
- White, similar to RAL9016
- Black, similar to RAL9005

Description	Order no.
DC120 EN, size 2/3 (4), silver EV1	
DC120 EN, size 2/3 (4), white, similar to RAL 9016	
DC120 EN size 2/3 (4), black, similar to RAL9005	
Hold-open link arm L141, silver EV1	

Description	Order no.
Hold-open link arm L141, white, similar to RAL9016	
Hold-open link arm L141, black, similar to RAL9005	



#### ASSA ABLOY DC110

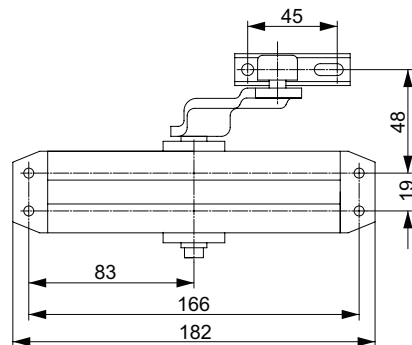
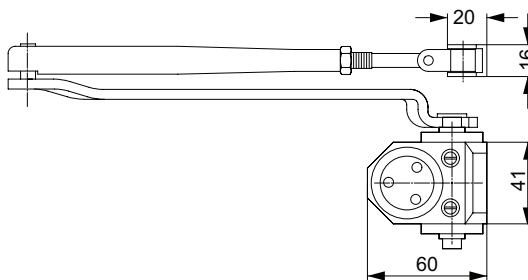
- Rack and pinion door closer with link arm
- Certified in compliance with EN 1154, size 3
- For single action doors up to 950 mm

#### Characteristics DC110

- Can be used for left and right-handed doors
- Suitable for fire and smoke protection doors
- Closing and latching speed adjustable via regulating valves
- Thermodynamic valves for consistent performance
- Standard colours: silver EV1; white, similar to RAL9016; black, similar to RAL9005



CE	ASSA ABLOY AUBE ANJOU 10 avenue de L'Europe Parc d'Enterprises du Grand Troyes 10300 Sainte Savine	04					
	1121-CPD-AD0054 EN 1154:1996+A1:2002	3	8	3	1	1	3
Dangerous substances: None							



Our service for you: here you can see the individual advantages of our door closer models for your respective field of business.

#### The advantages at a glance

Customer segment	Advantages
Project planners	- Compact design - Favourably priced, reliable closer model
Builders	- Quick and easy installation - Suitable for left and right handed doors - Easy to adjust
Trade	- Inexpensive closer model for standard doors - All-inclusive package with door closer and link arm
User	- Largely unaffected by temperature fluctuations thanks to thermodynamic valves

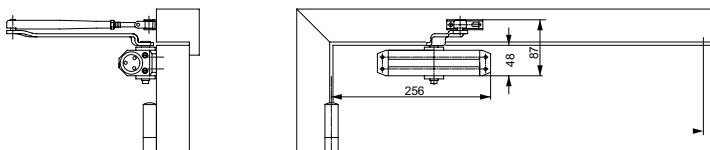
# DC110

## Technical attributes

Technical attributes	
Closing force	EN 3
Door width up to	950 mm
Fire and smoke protection	yes
Door swing directions	Left / right handed
Closing speed	Variable between 180°-0°
Latching speed	Variable between 15°-0°
Weight	1,5 kg
Height	41 mm
Depth	60 mm
Length	182 mm
Certified in compliance with	EN 1154
CE marking for building products	yes

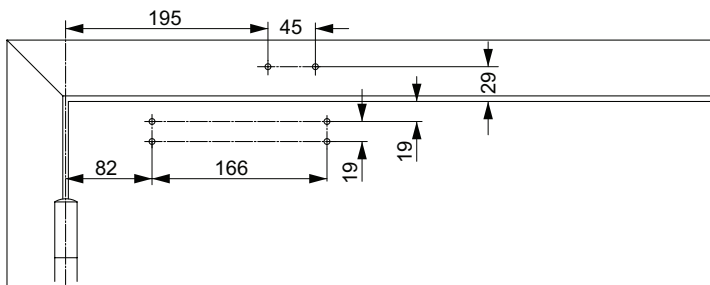
### Required space on doors

Left handed shown in diagram  
Right handed is the reverse



### Installation dimensions

Installation dimensions  
EN3



You can find the complete specification on the internet at: [\(Link of your companies homepage\)](#)

### Specifications for DC110

- ASSA ABLOY Door Closer DC110 featuring rack and pinion technology in compliance with EN 1154
- Closing force EN size 3, for doors up to 950 mm wide
  - Closing speed and latching speed continuously adjustable
  - Suitable for fire and smoke protection doors
  - CE approved
  - Suitable for left and right handed doors

### Colour:

- Silver EV1
- White, similar to RAL9016
- Black, similar to RAL9005

Description	Order no.
DC110 EN, size 3, silver EV1	
DC110 EN size 3, white, similar to RAL9016	
DC110 EN size 3, black, similar to RAL9005	
Hold-open link arm L141, silver EV1	

Description	Order no.
Hold-open link arm L141, white, similar to RAL9016	
Hold-open link arm L141, black, similar to RAL9005	



#### ASSA ABLOY DC340

- Rack and pinion door closer with height-adjustable guide rail G195, standard guide rail G193
- Can be installed also with standard link arm L190 or hold open arm L191
- Certified in compliance with EN 1154, size 1-4 (guide rail)
- Certified in compliance with EN 1154, size 3-6 (standard arm & hold-open arm)
- Suitable for fire and smoke protection doors
- For single action doors up to 1400 mm wide (standard and hold-open arm) and 1100mm (guide rail)

#### Characteristics DC340

- Can be used with integrated concealed mounting plate, suitable for fire and smoke protection doors
- Can be used for left and right-handed doors
- Axis continuously height adjustable up to 14 mm
- Closing speed, latching speed and backcheck adjustable via front facing regulating valves
- Thermodynamic valves for consistent performance
- Variable adjustable closing force
- Opening angle up to 180°
- Large range of applications
- Standard colours: silver EV1; white, similar to RAL9016; brown, similar to RAL8014; black, similar to RAL9005
- Customized finishes available on request

#### Performance characteristics for guide rail G195

- Height-adjustable by 2 mm for tolerance
- Concealed fastening screws
- Installation dimensions: see diagram

#### Characteristics of standard guide rail G193

- Without protective cover
- Visible fastening screws
- Installation dimensions: see diagram (dimensions in brackets)

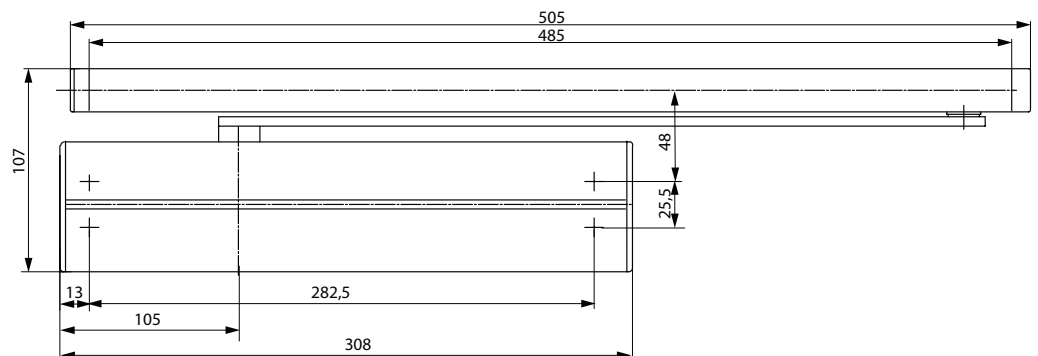
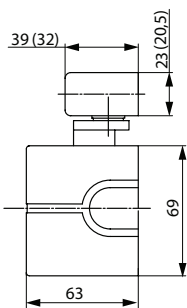
CE	Abloy Oy	04
	PO Box 108 80101 Joensuu, Finland	
0432-CPD-0047	EN1154:1996+A1:2002	4 8 4 1 1 3

#### Characteristics for link arm L190

- Opening angle up to 180°
- Drawings: see drawings at DC347 with link arm

#### Characteristics for hold open link arm L191

- Hold-open angle adjustable up to 150°
- Hold-open mode can be enabled and disabled as required
- Same installation as link arm
- Cannot be used with fire and smoke protection doors
- Drawings: see drawings at DC347 with link arm



## Technical attributes

Technical attributes	
Variable adjustable closing force	EN 1-4 (guide rail); EN 2-6 (link and hold-open arm)
Door width up to	1100mm (1400 with link arm)
Fire and smoke protection	yes
Door swing directions	Left / right handed
Closing speed	Variable between 180°-0°
Latching speed	Variable between 15°-0°
Backcheck	Variable above 75°
Weight	2,1 kg
Height	69 mm
Depth	63 mm
Length	308 mm
Certified in compliance with	EN 1154
CE marking for building products	yes

## The advantages at a glance

Our service for you: here you can see the individual advantages of our door closer models for your respective field of business.

Customer segment	Advantages
<b>Project planners</b>	<ul style="list-style-type: none"> <li>- Extensive range of uses: Fire and smoke protection doors as well as standard doors</li> <li>- Modern design</li> <li>- Compact design</li> <li>- Same dimensions and design with and without mounting plate</li> <li>- Comprehensive functions, standard and optional</li> </ul>
<b>Builders</b>	<ul style="list-style-type: none"> <li>- Adjustable to nearly all door and frame types</li> <li>- Quick and easy installation</li> <li>- Quickly and easily adjustable</li> <li>- Suitable for left and right handed doors, in both door and frame mounted applications</li> </ul>
<b>Trade</b>	<ul style="list-style-type: none"> <li>- One single product suitable for a large variety of mounting positions</li> <li>- Complementary accessories available for the whole product range</li> </ul>
<b>User</b>	<ul style="list-style-type: none"> <li>- Largely unaffected by temperature fluctuations thanks to thermodynamic valves</li> <li>- Backcheck feature offers optimum protection for doors and walls</li> </ul>

## Specifications for DC340 with guide rail

ASSA ABLOY Door Closer DC340 featuring rack and pinion technology in compliance with EN 1154

- Closing power continuously adjustable, EN size 1-4, for doors up to 1100 mm wide
- Closing speed, latching speed and backcheck adjustable via front facing regulating valves
- Can be used with integrated concealed mounting plate, suitable for fire and smoke protection doors
- CE approved
- 14 mm height adjustable arm system for ease of fitting
- Suitable for left and right handed doors

## Accessories:

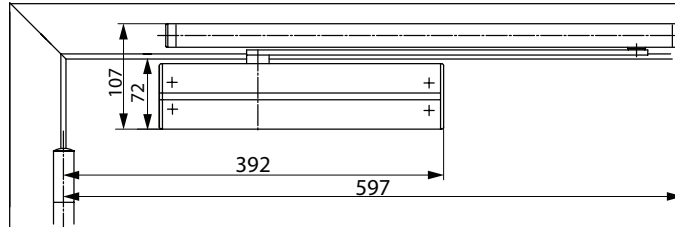
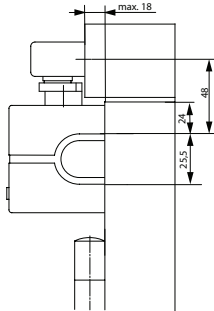
- Standard guide rail G193
- Height-adjustable guide rail G195
- Standard link arm L190
- Hold-open link arm L191 (not for fire and smoke protection doors)
- Mounting plate A126
- Angle bracket A107
- Mounting plate A130 for guide rail G193 and G195
- Angle bracket A104 for guide rail G193
- Mechanical opening damper A153
- Mechanical hold open device A152 (not for fire and smoke protection doors)

## Colour:

- Silver EV1
- White, similar to RAL9016
- Brown, similar to RAL8014
- Black, similar to RAL9005
- Customized finish

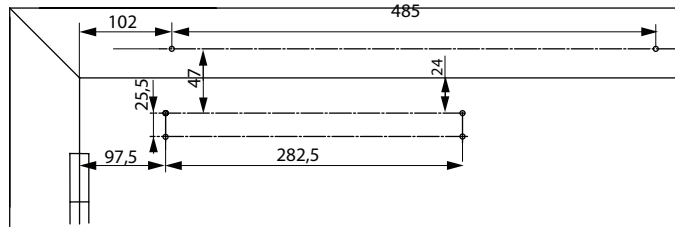
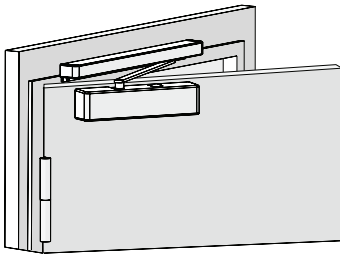
You can find the complete specification on the internet at: (Link of your companies homepage)

Dimensional drawings



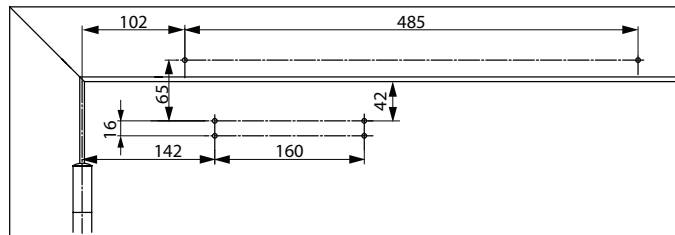
Required space on doors

Left handed shown in diagram  
Right handed is the reverse



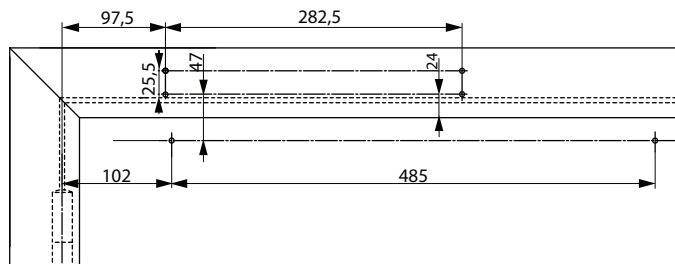
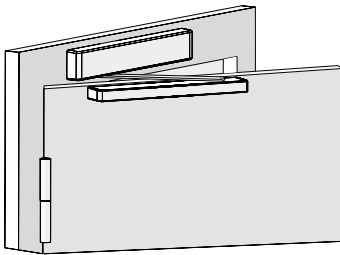
Installation dimensions for direct mounting

Left handed shown in diagram  
Right handed is the reverse



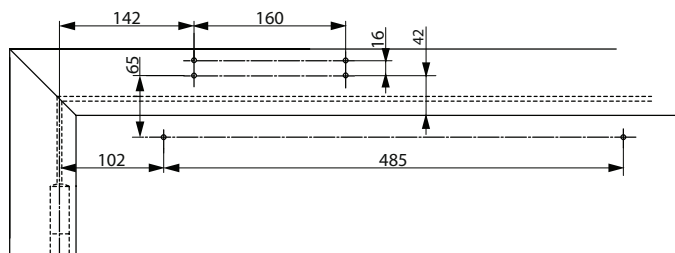
Installation dimensions with mounting plate

In compliance with EN 1154, Supplement 1, or for doors where direct mounting is not possible.  
Left handed shown in diagram  
Right handed is the reverse



Frame mounting

Closer on hinge side of door frame.  
Left handed shown in diagram  
Right handed is the reverse

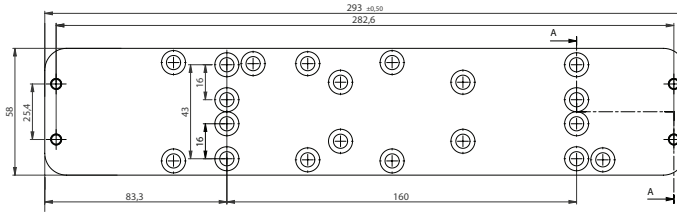
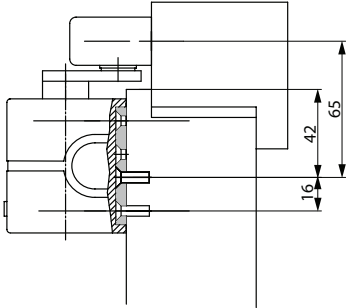


Installation dimensions with mounting plate for frame mounting

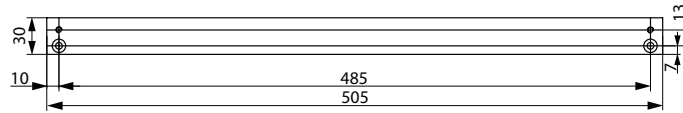
Closer on non-hinge side of door frame. For doors where direct mounting is not possible.  
Left handed shown in diagram  
Right handed is the reverse



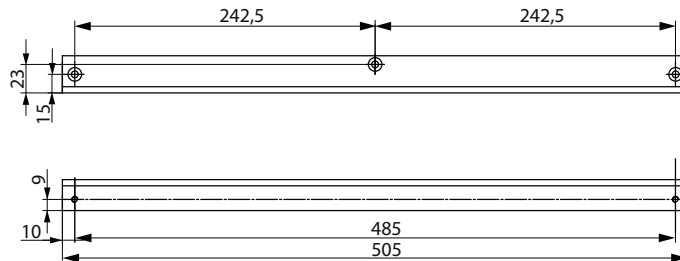
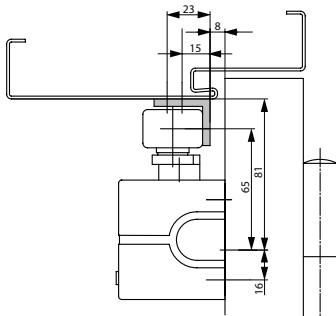
Dimensional drawings



**Mounting plate A126**  
 For mounting with drilling template acc. to EN 1154 Supplement 1 (fire and smoke protection doors) and for universal use



**Mounting plate A130**  
 For guide rail G193 and G195



**Angle bracket A104**  
 Only for standard guide rail G193

# DC340

## Accessories

### Hold open device A152

Mechanical hold-open device for doors which sometimes need to be secured in the open position.

Simple fitting into guide rail G193 and G195.

Hold open angle max. 130°.

Adjustable hold-open force.

Not approved for use on fire and smoke protection doors.



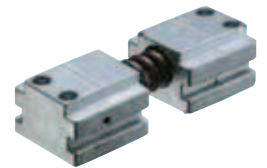
### Opening damper A153

Helps to prevent the door and door handle from hitting a return wall.

Simple fitting into guide rail G193 and G195.

Opening damper continuously adjustable up to an opening angle of max. 130°.

Does not replace a door stop.



Description	Order no.	Description	Order no.
DC340, EN size 1-4, silver EV1		Hold-open link arm L191, black, similar to RAL9005	
DC340, EN size 1-4, white, similar to RAL9016		Hold-open link arm L191, customized finish	
DC340, EN size 1-4, brown, similar to RAL8014		Mounting plate A126, galvanised	
DC340, EN size 1-4, black, similar to RAL9005		Mounting plate A130, silver EV1	
DC340, EN size 1-4, customized finish		Mounting plate A130, white, similar to RAL9016	
Guide rail G193, silver EV1		Mounting plate A130, brown, similar to RAL8014	
Guide rail G193, white, similar to RAL9016		Mounting plate A130, black, similar to RAL9005	
Guide rail G193, brown, similar to RAL8014		Mounting plate A130, customized finish	
Guide rail G193, black, similar to RAL9005		Angle bracket A104, silver EV1	
Guide rail G195, silver EV1		Angle bracket A104, RAL9016 white	
Guide rail G195, white, similar to RAL9016		Angle bracket A104, brown, similar to RAL8014	
Guide rail G195, brown, similar to RAL8014		Angle bracket A104, black, similar to RAL9005	
Guide rail G195, black, similar to RAL9005		Parallel arm bracket A154, silver EV1	
Guide rail G195, customized finish		Parallel arm bracket A154, white, similar to RAL9016	
Link arm L190, silver EV1		Parallel arm bracket A154, brown, similar to RAL8014	
Link arm L190, white, similar to RAL9016		Parallel arm bracket A154, black, similar to RAL9005	
Link arm L190, brown, similar to RAL8014		Parallel arm bracket A154, customized finish	
Link arm L190, black, similar to RAL9005		Hold open device A152	
Link arm L190, customized finish		Opening damper A153	
Hold-open link arm L191, silver EV1			
Hold-open link arm L191, white, similar to RAL9016			
Hold-open link arm L191, brown, similar to RAL8014			
Hold-open link arm L191, black, similar to RAL9005			
Hold-open link arm L191, customized finish			





#### ASSA ABLOY DC130

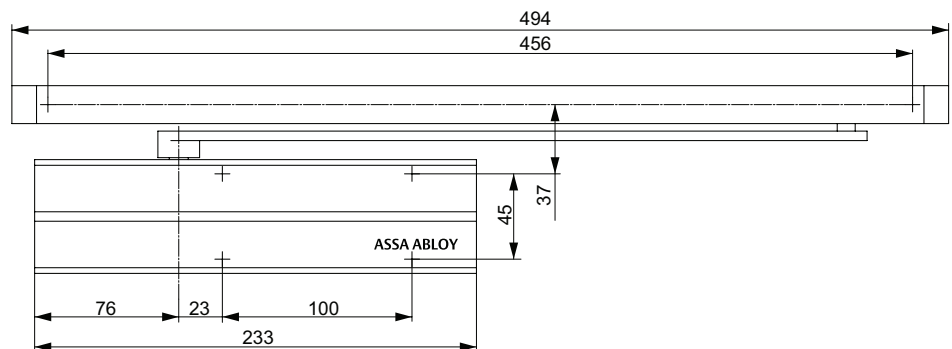
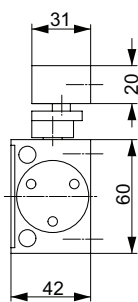
- Rack and pinion door closer with guide rail
- Certified in compliance with EN 1154, size 3
- For single action doors up to 950 mm

#### Characteristics DC130

- Can be used for left and right-handed doors
- Suitable for fire and smoke protection doors
- Closing speed, latching speed and backcheck continuously adjustable using regulating valves
- Thermodynamic valves for consistent performance
- Standard colours: silver EV1; white, similar to RAL9016; black, similar to RAL9005



CE	ASSA ABLOY AUBE ANJOU	04
	10 avenue de L'Europe Parc d'Entreprises du Grand Troyes 10300 Sainte Savine	
1121-CPD-AD002	EN 1154:1996+A1:2002	4 8 3 1 1 3
Dangerous substances: None		



Our service for you: here you can see the individual advantages of our door closer models for your respective field of business.

#### The advantages at a glance

Customer segment	Advantages
Project planners	- Inexpensive guide rail door closer - Compact design
Builders	- Quick and easy installation - Suitable for left and right handed doors - Easy to adjust
Trade	- Inexpensive closer model for standard doors - All-inclusive package with door closer and guide rail
User	- Thermodynamic valves - Backcheck feature offers optimum protection for doors and walls

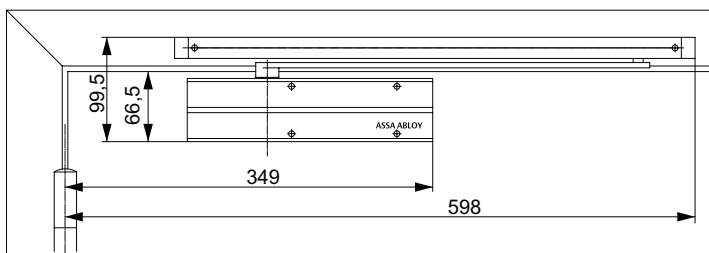
# DC130

## Technical attributes

Technical attributes	
Closing force	EN 3
Door width up to	950 mm
Fire and smoke protection	yes
Door swing directions	Left / right handed
Closing speed	Variable between 180°-0°
Latching speed	Variable between 15°-0°
Backcheck	Variable above 75°
Weight	2.4 kg
Height	60 mm
Depth	42 mm
Length	233 mm
Certified in compliance with	EN 1154
CE marking for building products	yes

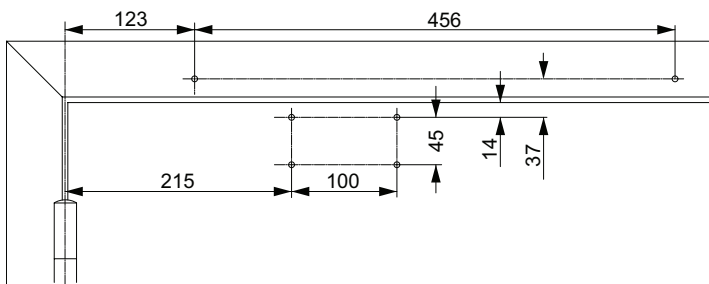
### Required space on doors

Left handed shown in diagram  
Right handed is the reverse



### Installation dimensions

Installation dimensions  
EN3



### Specifications for DC130

ASSA ABLOY Door Closer DC130 featuring rack and pinion technology with guide rail in compliance with EN 1154

- Closing force EN size 3, for doors up to 950 mm wide
- Closing speed, latching speed and backcheck continuously adjustable
- Suitable for fire and smoke protection doors
- CE approved
- Suitable for left and right handed doors

### Colour:

- Silver EV1
- White, similar to RAL9016
- Black, similar to RAL9005

You can find the complete specification on the internet at: [\(Link of your companies homepage\)](#)

Description	Order no.
DC130 EN, size 3, silver EV1	
DC130 EN size 3, white, similar to RAL9016	
DC130 EN size 3, black, similar to RAL9005	
Mechanical hold-open device A163	



#### ASSA ABLOY DC475

- Floor spring with adjustable closing force for large and very heavy doors.
- Certified in compliance with EN 1154, size 3-6
- Suitable for fire and smoke protection doors
- For double and single action door up to 300 kg

#### Characteristics DC475

- Closing from 175° in both door swing directions with hydraulic control from 150°.
- Two thermodynamic valves for consistent performance.
- Adjustable closing speed and latching speed from top regulating valves.
- Back check effect.
- Cast iron body.
- Cement box in hot zinc plated.
- Interchangeable spindle from 0 to +30 mm.
- Available without hold open, with hold-opening angle 90° and 105°.



CE	ASSA ABLOY Italia S.p.A. Via Modena, 68 40017 San Giovanni in Persiceto Bologna - Italy			04			
	0425 DO.0663	EN 1154:1996+A1:2002	3	8	3	6	1



## Technical attributes

Technical attributes	
Variable adjustable closing force	EN 3 - 6
Door width up to	1400 mm
Fire and smoke protection	Yes
Door swing direction	Left / Right handed doors or double action
Closing speed	Variable between 150°- 0°
Latching speed	Variable between 15°- 0°
Hold-open mode	90°/105°/Non Hold Open
Weight	7.3 kg
Height	82 mm
Width	78 mm
Length	345 mm
Certified in compliance with	EN 1154
CE marking for building products	Yes

### The advantages at a glance

Our service for you: here you can see the individual advantages of our door closer models for your respective field of business.

Customer segment	Advantages
<b>Project planners</b>	<ul style="list-style-type: none"> <li>- Extensive range of uses: Fire and smoke protection doors as well as standard doors.</li> <li>- Hold open at 90°, 105° and non hold open.</li> <li>- Variety of available spindles: square Italian, square French, rectangular German.</li> <li>- Architectural finishes: coverplate in polished stainless steel, satin stainless steel, polished brass.</li> </ul>
<b>Builders</b>	<ul style="list-style-type: none"> <li>- Universal for left/right handed and double action doors.</li> <li>- Overpressure relief valve to protect unit against abuse.</li> <li>- Large range of adjustment within cement box to solve possible alignment problems on the site without taking down the door.</li> </ul>
<b>Trade</b>	<ul style="list-style-type: none"> <li>- Reduced inventory costs due to modular product range.</li> <li>- One single product suitable for a large variety of mounting positions</li> <li>- Complementary accessories available for the whole product range.</li> </ul>
<b>User</b>	<ul style="list-style-type: none"> <li>- Adjustable operating force to meet door construction requirements and user needs.</li> <li>- Easier door opening and improved accessibility due to Cam-Motion technology.</li> <li>- Backcheck feature offers optimum protection for doors and walls.</li> </ul>

### Specifications for DC475

- ASSA ABLOY Floor spring DC475 featuring Cam-Motion technology in compliance with EN 1154
- Closing power variable adjustable, EN size 3-6, for doors up to 1400 mm wide
  - Closing speed, latching speed adjustable from top regulating valves
  - CE approved
  - 9 mm height adjustable within cement box
  - Suitable for Left/Right handed and double leaf doors

### Accessories:

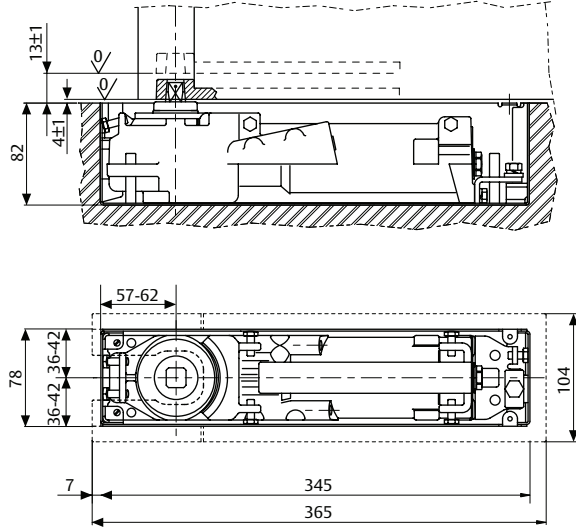
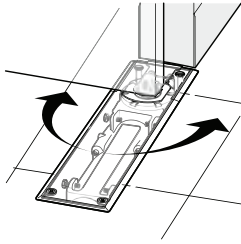
- AC115 - Reversible Bottom Arm Italian spindle
- AC393 - Reversible Bottom Arm German Spindle
- AC8 - Double action Top Pivot
- AC583 - Right and left bottom arm. Square Italian spindle
- AC392 - Right & Left bottom Arm German Spindle
- AC384 - Top pivot for left or right doors
- AC373 - Right bottom arm. Square French spindle
- AC374 - Left bottom arm. Square French spindle
- AC612- Sealing Compound for floor springs
- AC269- Cover plate for DC475

### Colour:

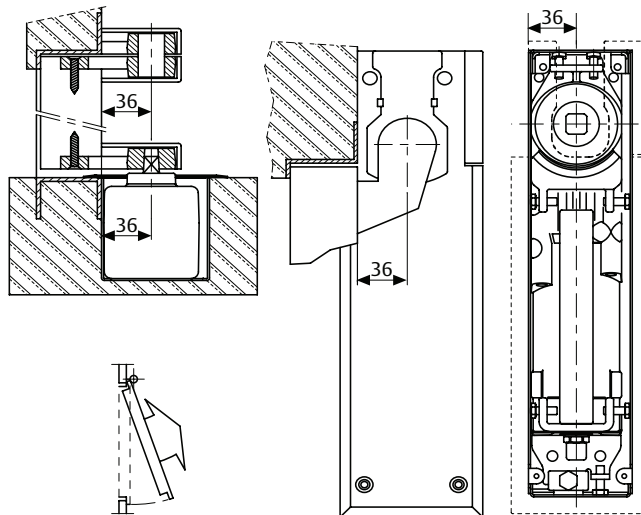
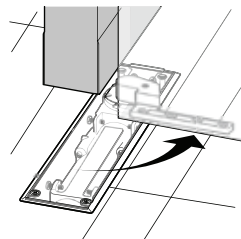
- Polished stainless steel
- Satin stainless steel
- Polished brass

You can find the complete specification on the internet at: (Link of your companies homepage)

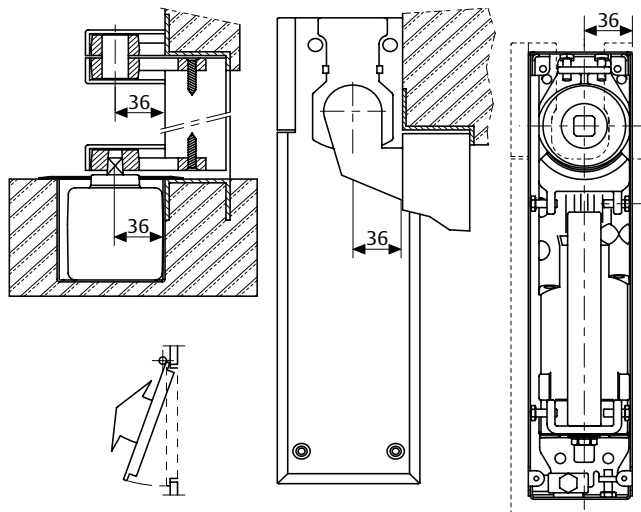
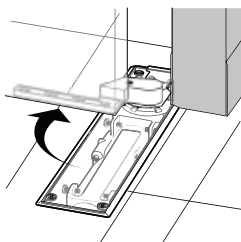
Dimensional drawings



Double action door mounting.



Right-handed door mounting.

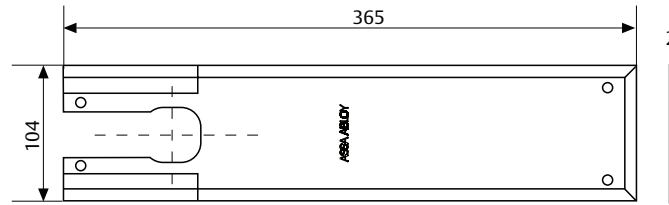


Left-handed door mounting.



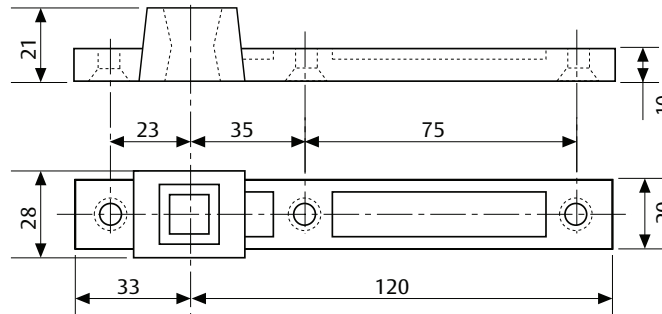
# DC475

## Dimensional drawings



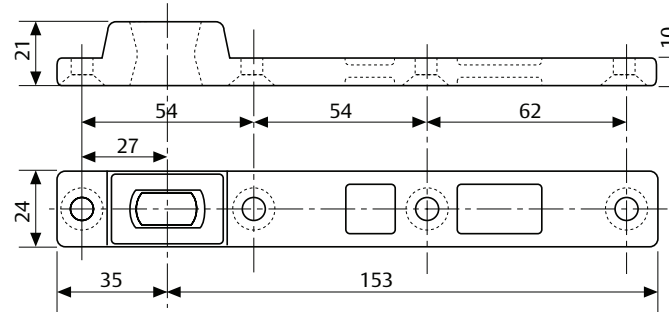
### AC269

Available in satin stainless steel, polished stainless steel and polished brass.



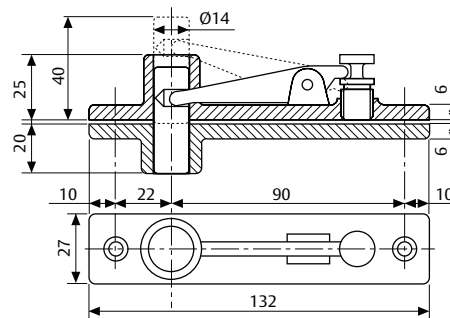
### AC115

Reversible bottom arm in steel for double action doors.



### AC393

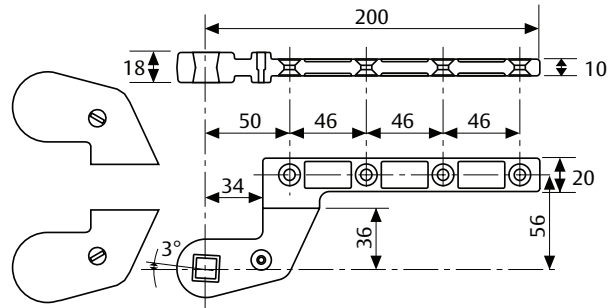
Reversible bottom arm in steel for double action doors.



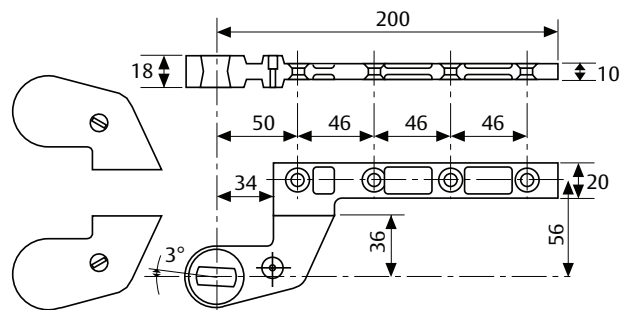
### AC8

Double action top pivot.

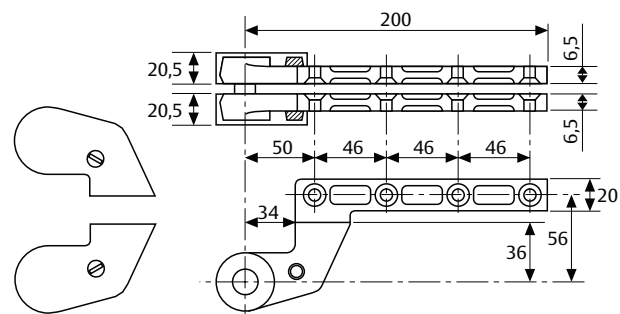
## Dimensional drawings

**AC583**

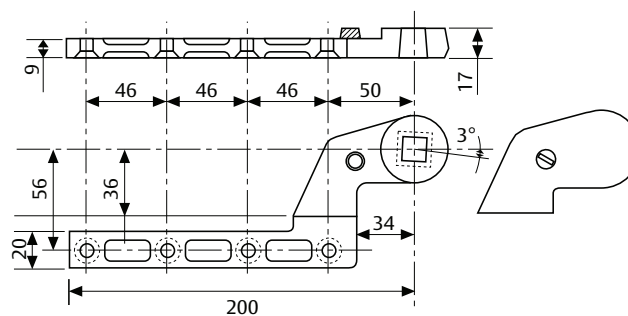
Right and left bottom arm in steel for single action doors, 36 mm offset. Square Italian spindle. Silver painted ABS covers.

**AC392**

Right and left bottom arm in steel for single action doors, 36 mm offset. Rectangular German socket. Silver painted ABS covers.

**AC384**

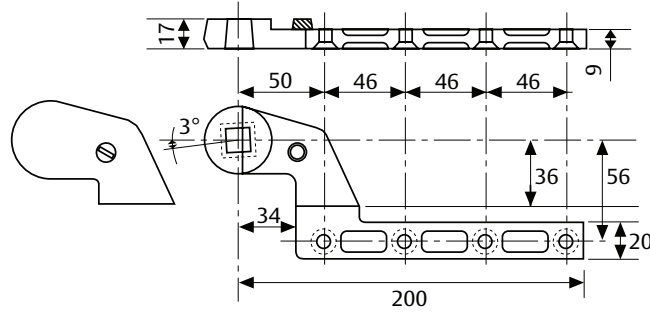
Double action top pivot in full steel 36 mm offset. Silver painted ABS covers.

**AC373**

Right bottom arm in steel for single action doors, 36mm offset. Square French spindle. Silver painted ABS covers.

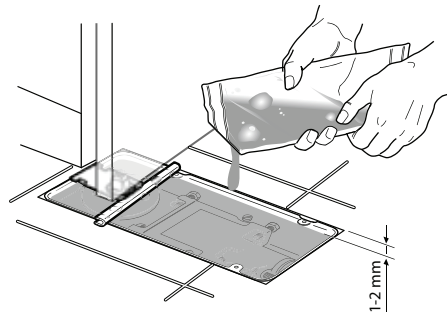
# DC475

## Dimensional drawings



### AC374

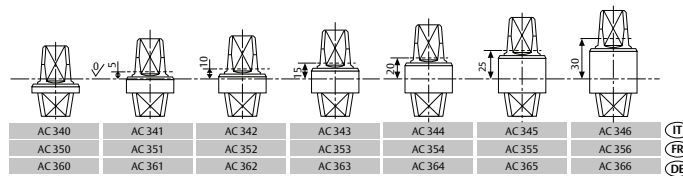
Left bottom arm in steel for single action doors. Square French spindle. Silver painted ABS cover.



### AC612

Sealing Compound for floor springs.

### Detachable spindles



## Order placement information

Description	Order no.	Description	Order no.
DC475.2 Floorspring size 3/6 without Hold Open		Detachable German Spindle h = 30 mm - zinc plated	
DC475.5 Floorspring size 3/6 with Hold Open at 90°		Detachable French Spindle h = 0 mm - zinc plated	
DC475.0 Floorspring size 3/6 with Hold Open at 105°		Detachable French Spindle h = 5 mm - zinc plated	
AC269 Cover Plate for DC475 - Satin Stainless Steel		Detachable French Spindle h = 10 mm - zinc plated	
AC269 Cover Plate for DC475 - Polished Stainless Steel		Detachable French Spindle h = 15 mm - zinc plated	
AC269 Cover Plate for DC475 - Polished Brass		Detachable French Spindle h = 20 mm - zinc plated	
Detachable Italian Spindle h = 0 mm - zinc plated		Detachable French Spindle h = 25 mm - zinc plated	
Detachable Italian Spindle h = 5 mm - zinc plated		Detachable French Spindle h = 30 mm - zinc plated	
Detachable Italian Spindle h = 10 mm - zinc plated		Right Bottom arm for single action doors, French Square spindle	
Detachable Italian Spindle h = 15 mm - zinc plated		Right Bottom arm for single action doors, French Square spindle	
Detachable Italian Spindle h = 20 mm - zinc plated		Left Bottom arm for single action doors, French Square spindle	
Detachable Italian Spindle h = 25 mm - zinc plated		Left Bottom arm for single action doors, French Square spindle	
Detachable Italian Spindle h = 30 mm - zinc plated		Right & Left bottom arm. Square Italian Spindle Silver.	
Detachable German Spindle h = 0 mm - zinc plated		Right & Left bottom arm. Square Italian Spindle Black.	
Detachable German Spindle h = 5 mm - zinc plated		Right & Left bottom arm. Rectangular German Socket Silver.	
Detachable German Spindle h = 10 mm - zinc plated		Right & Left bottom arm. Rectangular German Socket Black.	
Detachable German Spindle h = 15 mm - zinc plated		Double Action Top Pivot Silver.	
Detachable German Spindle h = 20 mm - zinc plated		Double Action Top Pivot Black.	
Detachable German Spindle h = 25 mm - zinc plated		Sealing Compound for floorsprings.	



Floor springs



#### ASSA ABLOY DC477

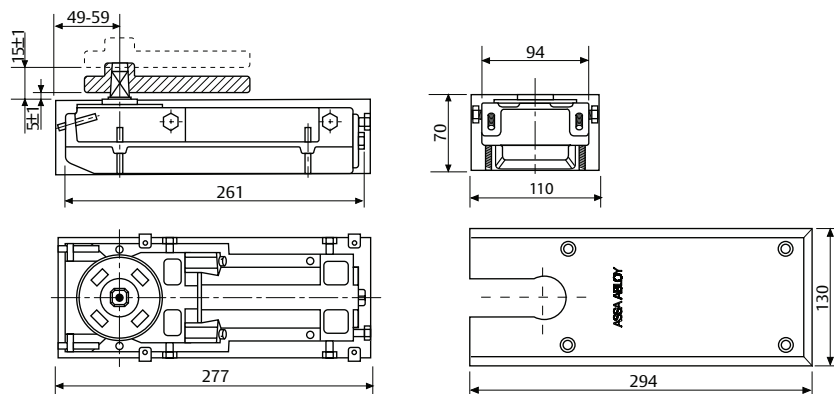
- Floor spring with adjustable closing force for large and heavy doors
- Certified in compliance with EN 1154, size 2-4
- Suitable for fire and smoke protection doors
- For double and single action doors up to 170 kg

#### Characteristics DC477

- From 175° in both door swing directions with hydraulic control from 150°.
- Two thermodynamic valves for consistent performance.
- Adjustable closing speed and latching speed from top regulating valves.
- Back check effect.
- Cast iron body.
- Cement box in hot zinc plated.
- Interchangeable spindle from 0 to + 30 mm.
- Available without hold open, with hold-opening angle 90° and 105°.



CE	ASSA ABLOY Italia S.p.A. Via Modena, 68 40017 San Giovanni in Persiceto Bologna - Italy			10			
	0425.D0.2221	EN 1154:1996+A1:2002	3	8	2 4	1	1



## Technical attributes

Technical attributes	
Variable adjustable closing force	EN 2-4
Door width up to	1100 mm
Fire and smoke protection	Yes
Door swing direction	Left / Right handed doors or double action
Closing speed	Variable between 150°- 0°
Latching speed	Variable between 15°- 0°
Hold-open mode	90° / 105° / Non Hold Open
Weight	5.4 kg
Height	70 mm
Depth	110 mm
Length	277 mm
Certified in compliance with	EN 1154
CE marking for building products	Yes

### The advantages at a glance

Our service for you: here you can see the individual advantages of our door closer models for your respective field of business.

Customer segment	Advantages
<b>Project planners</b>	<ul style="list-style-type: none"> <li>- Extensive range of uses: Fire and smoke protection doors as well as standard doors.</li> <li>- Hold open at 90°, 105° and non hold open version.</li> <li>- Variety of available spindles: square Italian, square French, rectangular German.</li> <li>- Architectural finishes: cover plates in polished stainless steel, satin stainless steel, polished brass.</li> </ul>
<b>Builders</b>	<ul style="list-style-type: none"> <li>- Universal for left/right handed and double action doors.</li> <li>- Overpressure relief valve to protect unit against abuse.</li> <li>- Large range of adjustment within cement box to solve possible alignment problems on the site without taking down the door.</li> </ul>
<b>Trade</b>	<ul style="list-style-type: none"> <li>- Reduced inventory costs due to modular product range.</li> <li>- One single product suitable for a large variety of mounting positions</li> <li>- Complementary accessories available for the whole product range.</li> </ul>
<b>User</b>	<ul style="list-style-type: none"> <li>- Ideal for residential interiors thanks to adjustable opening/closing force that makes opening/closing easy.</li> <li>- Adjustable operating force to meet door construction requirements and user needs.</li> <li>- Easier door opening and improved accessibility due to Cam-Motion technology.</li> <li>- Backcheck feature offers optimum protection for doors and walls.</li> </ul>

### Specifications for DC477

ASSA ABLOY Floor spring DC477 featuring Cam-Motion technology in compliance with EN 1154

- Closing power variable adjustable, EN size 2-4, for doors up to 1100 mm wide
- Closing speed, latching speed and backcheck adjustable from top facing regulating valves
- CE approved
- 9 mm height adjustable within cement box
- Suitable for Left/Right handed and double leaf doors

### Accessories:

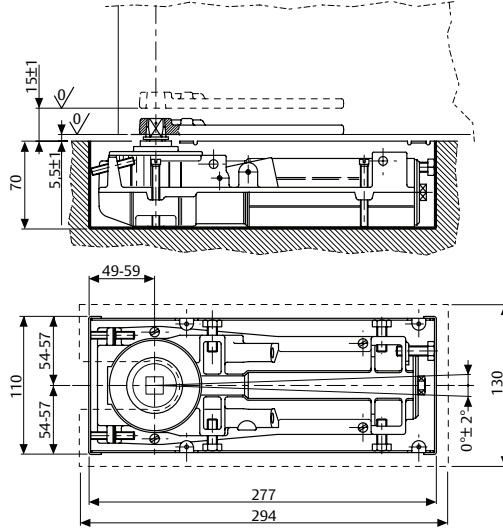
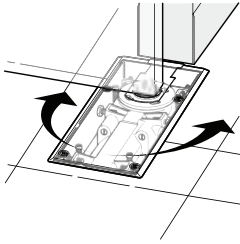
- |  |  |
|--|--|
| <input type="checkbox"/> AC115 - Reversible Bottom Arm Italian spindle             | <input type="checkbox"/> AC384 - Top pivot for left or right doors       |
| <input type="checkbox"/> AC393 - Reversible Bottom Arm German Spindle              | <input type="checkbox"/> AC373 - Right bottom arm. Square French spindle |
| <input type="checkbox"/> AC8 - Double action Top Pivot                             | <input type="checkbox"/> AC374 - Left bottom arm. Square French spindle  |
| <input type="checkbox"/> AC583 - Right and left bottom arm. Square Italian spindle | <input type="checkbox"/> AC612- Sealing Compound for floor springs       |
| <input type="checkbox"/> AC392 - Right & Left bottom Arm German Spindle            | <input type="checkbox"/> AC534- Cover plate for DC477                    |

### Colour:

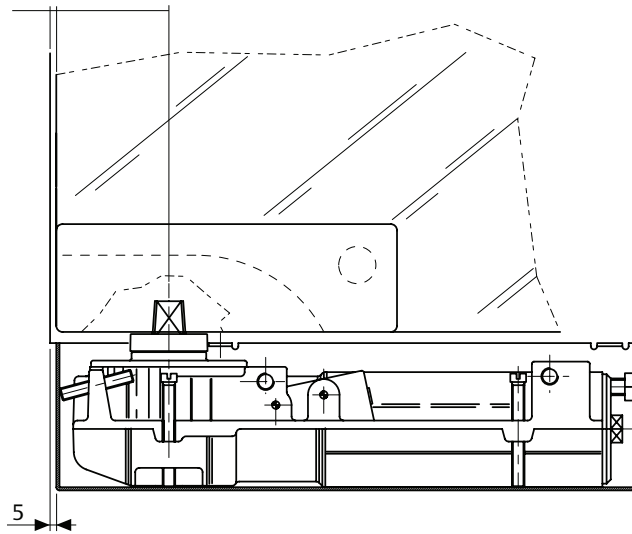
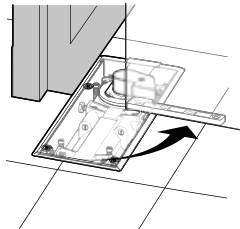
- Polished stainless steel
- Satin stainless steel
- Polished brass

You can find the complete specification on the internet at: (Link of your companies homepage)

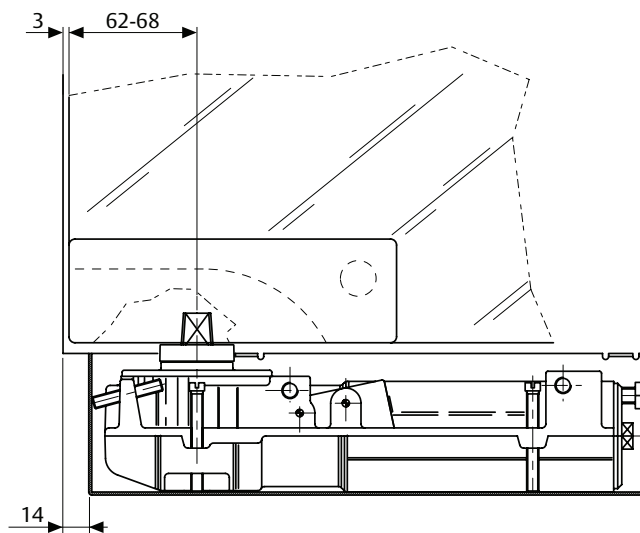
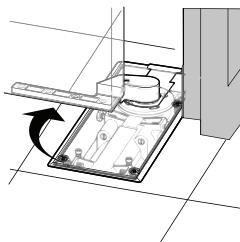
Dimensional drawings



Double action door mounting.



Right-handed door mounting.

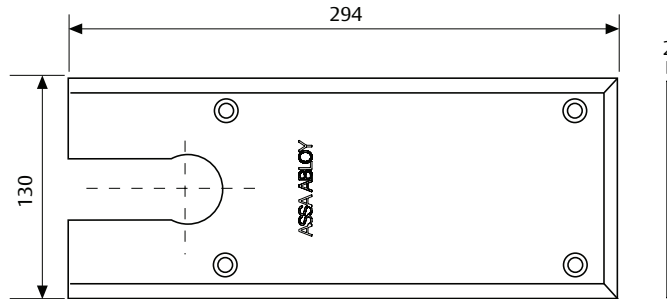


Left-handed door mounting.

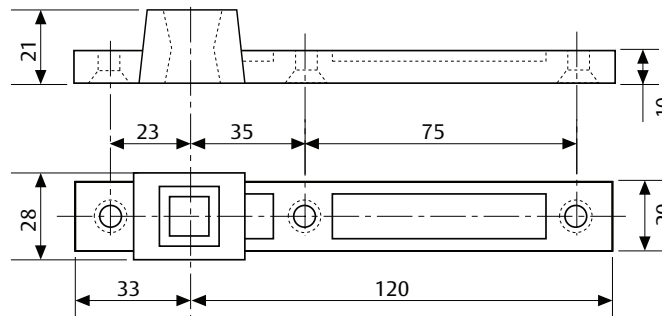


# DC477

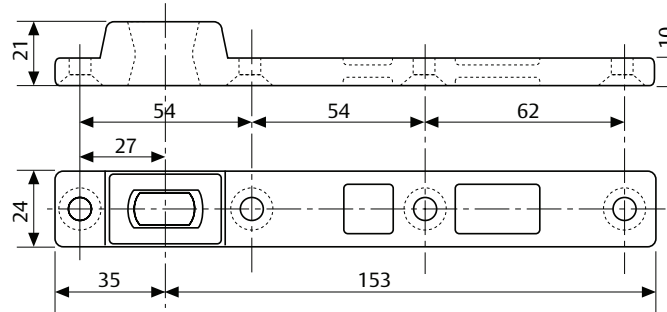
## Dimensional drawings



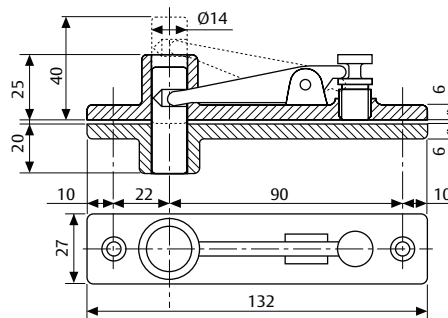
**AC269**  
Available in satin stainless steel, polished stainless steel and polished brass.



**AC115**  
Reversible bottom arm in steel for double action doors.  
Square Italian spindle.

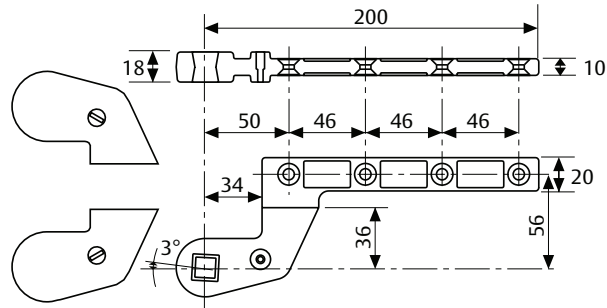


**AC393**  
Reversible bottom arm in steel for double action doors.  
Rectangular German spindle.



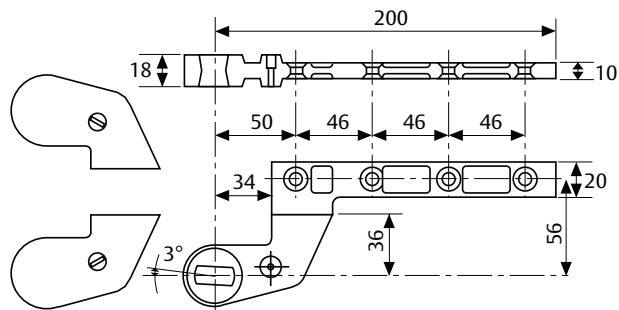
**AC8**  
Double action top pivot.

Dimensional drawings



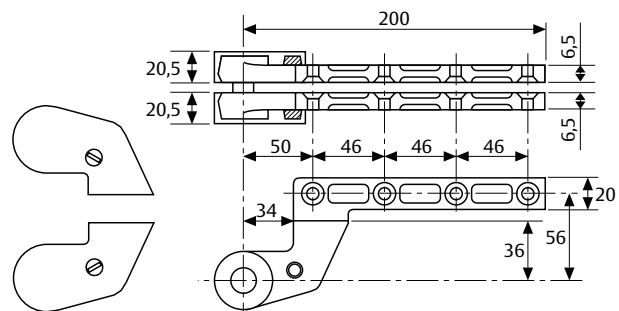
AC583

Right and left bottom arm in steel for single action doors, 36 mm offset. Square Italian spindle. Silver painted ABS covers.



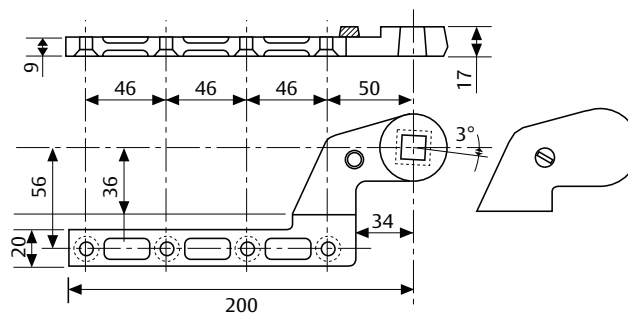
AC392

Right and left bottom arm in steel for single action doors, 36 mm offset. Rectangular German socket. Silver painted ABS covers.



AC384

Double action top pivot in full steel 36 mm offset. Silver painted ABS covers.

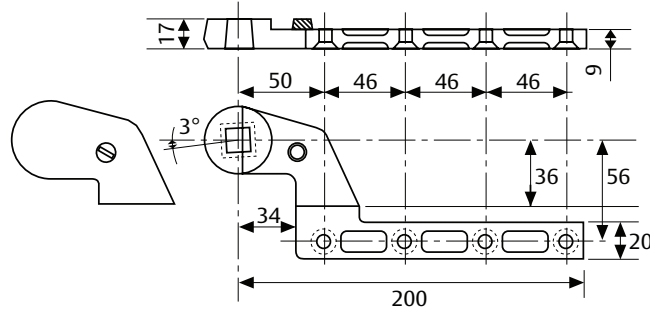


AC373

Right bottom arm in steel for single action doors, 36 mm offset. Square French spindle. Silver painted ABS covers.

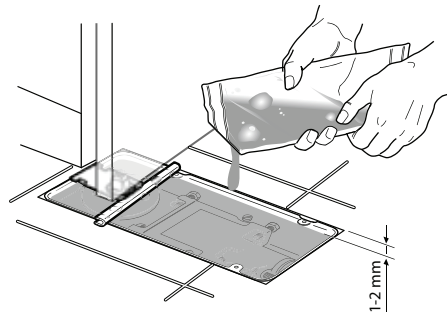
# DC477

## Dimensional drawings



### AC374

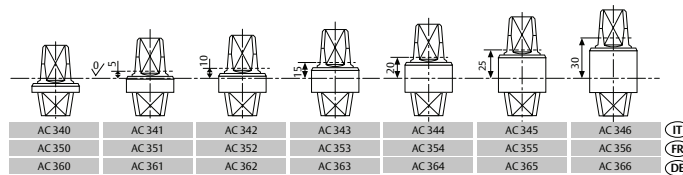
Left bottom arm in steel for single action doors. Square French spindle. Silver painted ABS covers.



### AC612

Sealing Compound for floor springs.

### Detachable spindles



## Order placement information

Description	Order no.	Description	Order no.
DC477.2 Floorspring size 2/4 without Hold Open		Detachable German Spindle h = 20 mm - zinc plated	
DC477.5 Floorspring size 2/4 with Hold Open at 90°		Detachable German Spindle h = 25 mm - zinc plated	
DC477.0 Floorspring size 2/4 with Hold Open at 105°		Detachable German Spindle h = 30 mm - zinc plated	
AC534 Cover Plate for DC477 - Satin Stainless Steel		Detachable French Spindle h = 0 mm - zinc plated	
AC534 Cover Plate for DC477 - Polished Stainless Steel		Detachable French Spindle h = 5 mm - zinc plated	
AC534 Cover Plate for DC477 - Polished Brass		Detachable French Spindle h = 10 mm - zinc plated	
Detachable Italian Spindle h = 0 mm - zinc plated		Detachable French Spindle h = 15 mm - zinc plated	
Detachable Italian Spindle h = 5 mm - zinc plated		Detachable French Spindle h = 20 mm - zinc plated	
Detachable Italian Spindle h = 10 mm - zinc plated		Detachable French Spindle h = 25 mm - zinc plated	
Detachable Italian Spindle h = 15 mm - zinc plated		Detachable French Spindle h = 30 mm - zinc plated	
Detachable Italian Spindle h = 20 mm - zinc plated		Right & Left bottom arm. Square Italian Spindle Silver.	
Detachable Italian Spindle h = 25 mm - zinc plated		Right & Left bottom arm. Square Italian Spindle Black.	
Detachable Italian Spindle h = 30 mm - zinc plated		Right & Left bottom arm. Rectangular German Socket Silver.	
Detachable German Spindle h = 0 mm - zinc plated		Right & Left bottom arm. Rectangular German Socket Black.	
Detachable German Spindle h = 5 mm - zinc plated		Double Action Top Pivot Silver.	
Detachable German Spindle h = 10 mm - zinc plated		Double Action Top Pivot Black.	
Detachable German Spindle h = 15 mm - zinc plated		Sealing Compound for floorsprings.	





#### ASSA ABLOY DC420

- Floor spring with fixed closing force for thin door leafs
- Certified in compliance with EN 1154, size 2/3/4
- Suitable for fire and smoke protection doors
- For double and single action door up to 100kg

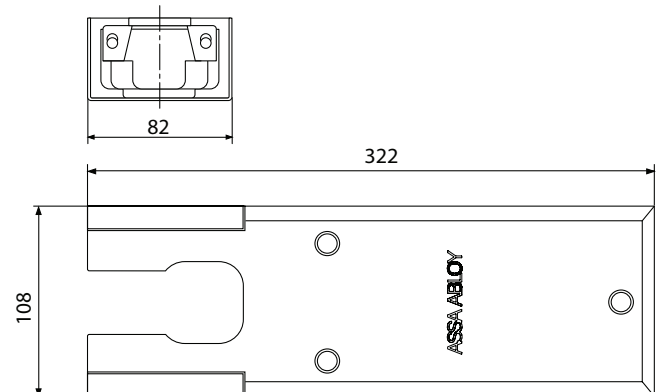
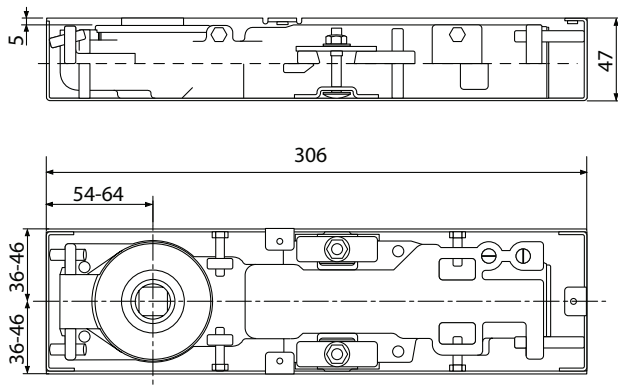
#### Characteristics DC420

- One Body size in three fixed force sizes EN2-EN3-EN4
- Hydraulic control over 175° in both door swing directions
- Adjustable closing speed and latching speed from top regulating valves
- Back check effect
- Cast iron body
- Cement box in hot zinc plated
- Interchangeable spindle from 0 to +30mm
- Available with hold-opening angle 90°, 105° and without hold open



CE	ASSA ABLOY Italia S.p.A. Via Bovaresa, 13 40017 San Giovanni in Persiceto Bologna - Italy	04					
	0425 DO.0524	EN 1154:1996+A1:2002	3	8	3	1	1

CE	ASSA ABLOY Italia S.p.A. Via Bovaresa, 13 40017 San Giovanni in Persiceto Bologna - Italy	04					
	0425 DO.0525	EN 1154:1996+A1:2002	3	8	4	1	1



## Technical attributes

Technical attributes	
Variable adjustable closing force	EN2/EN3/EN4
Door width up to	1100 mm
Fire and smoke protection	Yes
Door swing direction	Left / Right handed doors or double action
Closing speed	Variable between 175°- 0°
Latching speed	Variable between 15°- 0°
Hold-open mode	90°/105°/Non Hold Open
Weight	3,7 kg
Height	82 mm
Width	47 mm
Length	302 mm
Certified in compliance with	EN 1154
CE marking for building products	Yes

### The advantages at a glance

Our service for you: here you can see the individual advantages of our door closer models for your respective field of business.

Customer segment	Advantages
<b>Project planners</b>	<ul style="list-style-type: none"> <li>- Extensive range of uses: Fire and smoke protection doors as well as standard doors</li> <li>- Particularly suitable in case of double action glass doors</li> <li>- Recommended for thin door leaves</li> <li>- Hold open at 90°, 105° and non hold open</li> <li>- Variety of available spindles: square Italian, square French, rectangular German</li> <li>- Architectural finishes: coverplate in polished stainless steel, satin stainless steel, polished brass</li> </ul>
<b>Builders</b>	<ul style="list-style-type: none"> <li>- Universal for left/right handed and double action doors</li> <li>- Large range of adjustment within cement box to solve possible alignment problems on the site without taking down the door</li> </ul>
<b>Trade</b>	<ul style="list-style-type: none"> <li>- Reduced inventory costs due to modular product range</li> <li>- One single product suitable for a large variety of mounting positions</li> <li>- Complementary accessories available for the whole product range</li> </ul>
<b>User</b>	<ul style="list-style-type: none"> <li>- Easier door opening and improved accessibility due to Cam-Motion technology</li> <li>- Backcheck feature offers optimum protection for doors and walls</li> </ul>

### Specifications for DC420

- ASSA ABLOY Floor spring DC420 featuring Cam-Motion technology in compliance with EN 1154
- Closing power, EN sizes 2/3/4, for doors up to 1100 mm wide
  - Closing speed, latching speed adjustable from top regulating valves
  - CE approved
  - 6 mm height adjustable within cement box
  - Suitable for Left/Right handed and double leaf doors

### Accessories:

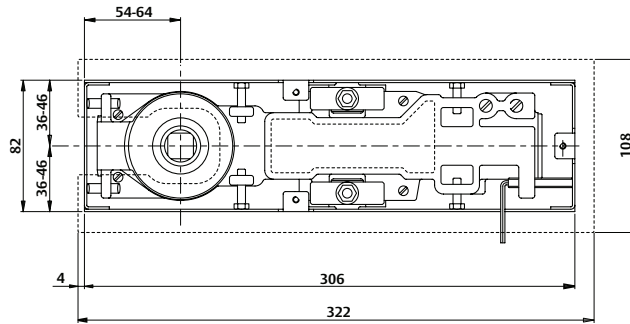
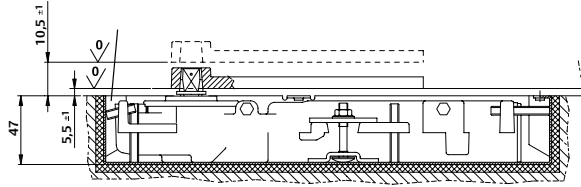
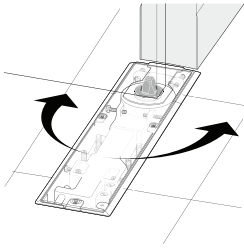
- AC115 - Reversible Bottom Arm Italian spindle
- AC393 - Reversible Bottom Arm German Spindle
- AC8 - Double action Top Pivot
- AC583 - Right and left bottom arm. Square Italian spindle
- AC392 - Right & Left bottom Arm German Spindle
- AC384 - Top pivot for left or right doors
- AC373 - Right bottom arm. Square French spindle
- AC374 - Left bottom arm. Square French spindle
- AC612- Sealing Compound for floor springs
- AC307- Cover plate

### Colour:

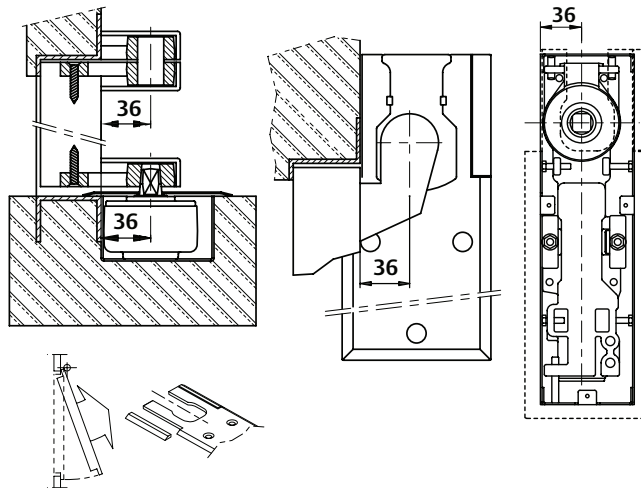
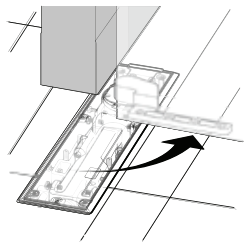
- Polished stainless steel
- Satin stainless steel
- Polished brass

You can find the complete specification on the internet at: (Link of your companies homepage)

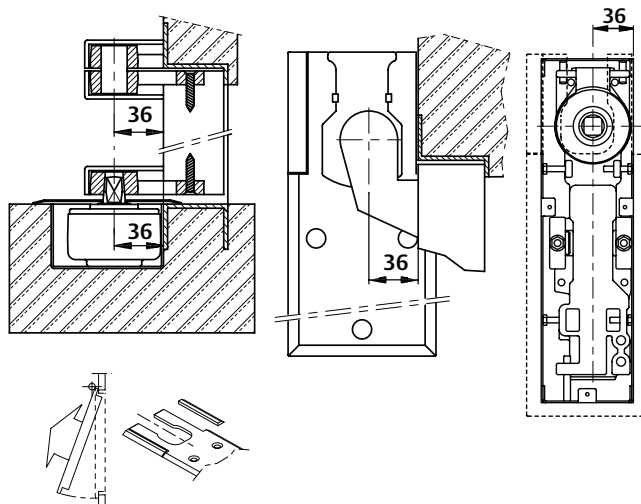
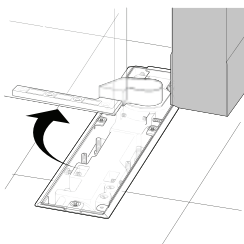
Dimensional drawings



Double action door mounting.



Right-handed door mounting.

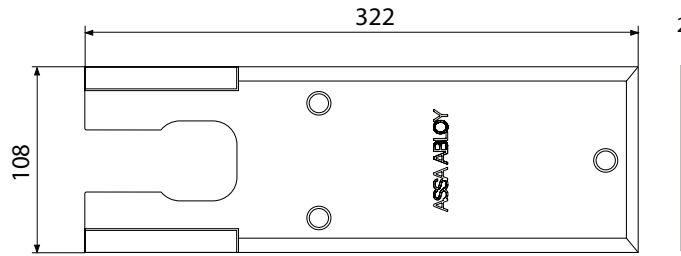


Left-handed door mounting.



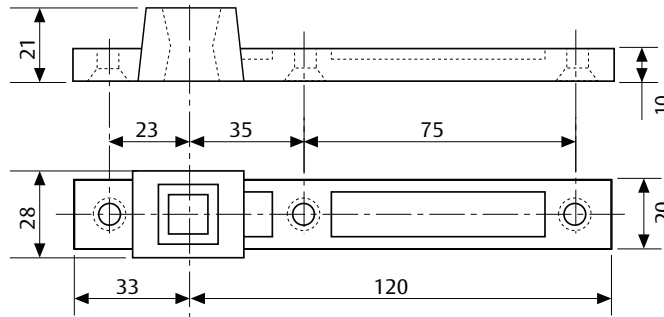
# DC420

## Dimensional drawings



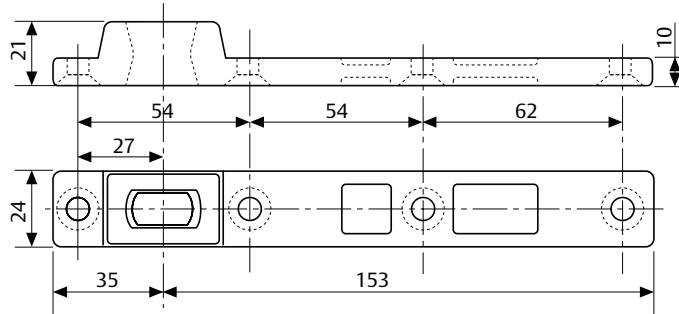
### AC307

Available in satin stainless steel, polished stainless steel and polished brass.



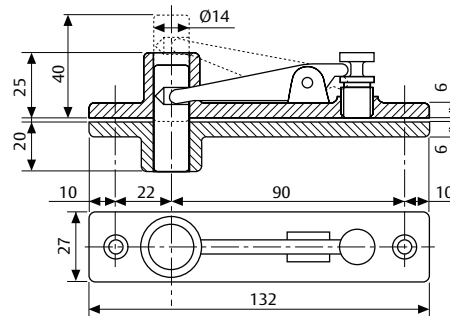
### AC115

Reversible bottom arm in steel for double action doors.



### AC393

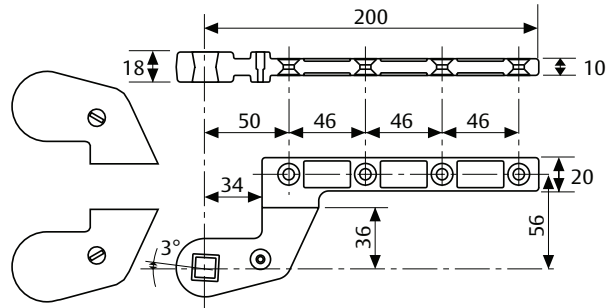
Reversible bottom arm in steel for double action doors.



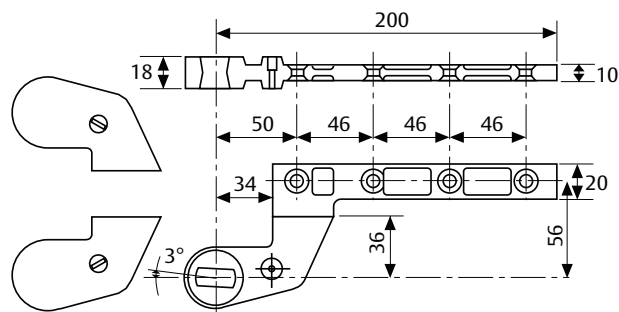
### AC8

Double action top pivot.

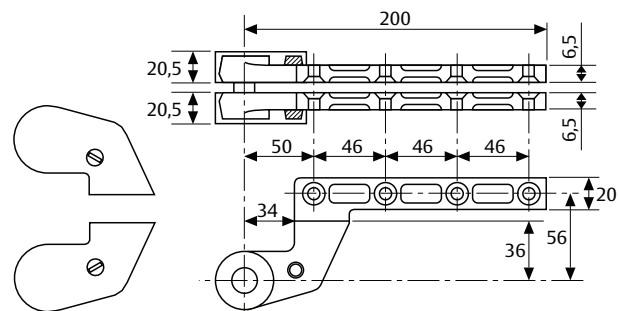
## Dimensional drawings

**AC583**

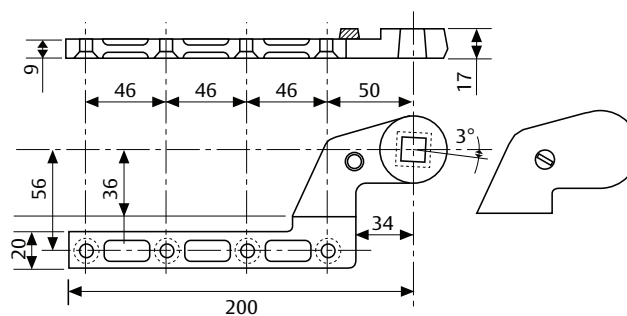
Right and left bottom arm in steel for single action doors, 36 mm offset. Square Italian spindle. Silver painted ABS covers.

**AC392**

Right and left bottom arm in steel for single action doors, 36 mm offset. Rectangular German socket. Silver painted ABS covers.

**AC384**

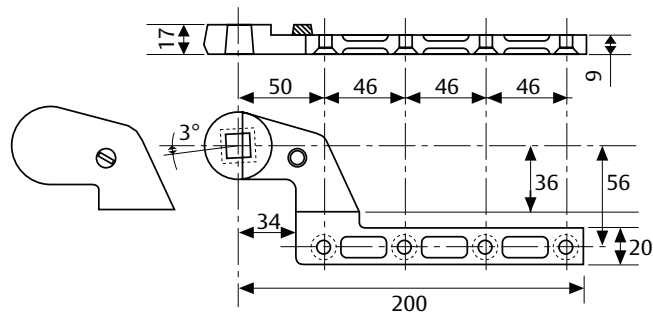
Double action top pivot in full steel 36 mm offset. Silver painted ABS covers.

**AC373**

Right bottom arm in steel for single action doors, 36 mm offset. Square French spindle. Silver painted ABS covers.

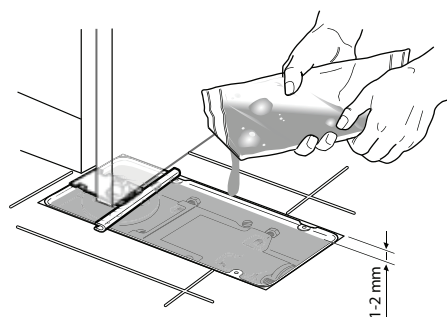
# DC420

## Dimensional drawings



### AC374

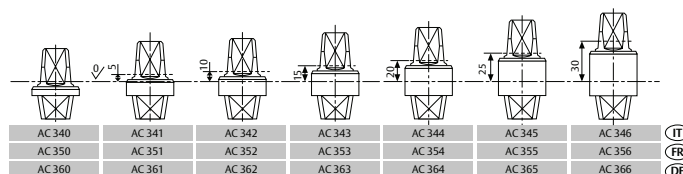
Left bottom arm in steel for single action doors Square French spindle. Silver painted ABS covers.



### AC612

Sealing Compound for floor springs.

### Detachable spindles



## Dimensional drawings

Description	Order no.	Description	Order no.
AC307 Cover plate satin stainless steel		Detachable German Spindle h = 25 mm - zinc plated	
AC307 Cover plate polished stainless steel		Detachable German Spindle h = 30 mm - zinc plated	
AC307 Cover plate polished brass		Detachable French Spindle h = 0 mm - zinc plated	
DC422.0 size 2 with H.O. 105°		Detachable French Spindle h = 5 mm - zinc plated	
DC422.2 size 2 without H.O.		Detachable French Spindle h = 10 mm - zinc plated	
DC422.5 size 2 with H.O. 90°		Detachable French Spindle h = 15 mm - zinc plated	
DC423.0 size 3 with H.O. 105°		Detachable French Spindle h = 20 mm - zinc plated	
DC423.2 size 3 without H.O.		Detachable French Spindle h = 25 mm - zinc plated	
DC423.5 size 3 with H.O. 90°		Detachable French Spindle h = 30 mm - zinc plated	
DC424.0 size 4 with H.O. 105°		Right Bottom arm for single action doors, French Square spindle	
DC424.2 size 4 without H.O.		Right Bottom arm for single action doors, French Square spindle	
DC424.5 size 4 with H.O. 90°		Left Bottom arm for single action doors, French Square spindle	
Detachable Italian Spindle h = 0 mm - zinc plated		Left Bottom arm for single action doors, French Square spindle	
Detachable Italian Spindle h = 5 mm - zinc plated		Right & Left bottom arm. Square Italian Spindle Silver.	
Detachable Italian Spindle h = 10 mm - zinc plated		Right & Left bottom arm. Square Italian Spindle Black.	
Detachable Italian Spindle h = 15 mm - zinc plated		Right & Left bottom arm. Rectangular German Socket Silver.	
Detachable Italian Spindle h = 20 mm - zinc plated		Right & Left bottom arm. Rectangular German Socket Black.	
Detachable Italian Spindle h = 25 mm - zinc plated		Double Action Top Pivot Silver.	
Detachable Italian Spindle h = 30 mm - zinc plated		Double Action Top Pivot Black.	
Detachable German Spindle h = 0 mm - zinc plated		Sealing Compound for floorsprings.	
Detachable German Spindle h = 5 mm - zinc plated			
Detachable German Spindle h = 10 mm - zinc plated			
Detachable German Spindle h = 15 mm - zinc plated			
Detachable German Spindle h = 20 mm - zinc plated			



Floor springs



#### ASSA ABLOY DA960

- Electro-hydraulic swing door operator with link arm L147 or guide rail G149
- Suitable for internal and external fire and smoke protection doors
- Closing force with link arm EN size 3-6 and with guide rail EN size 1-4

#### Characteristics DA960

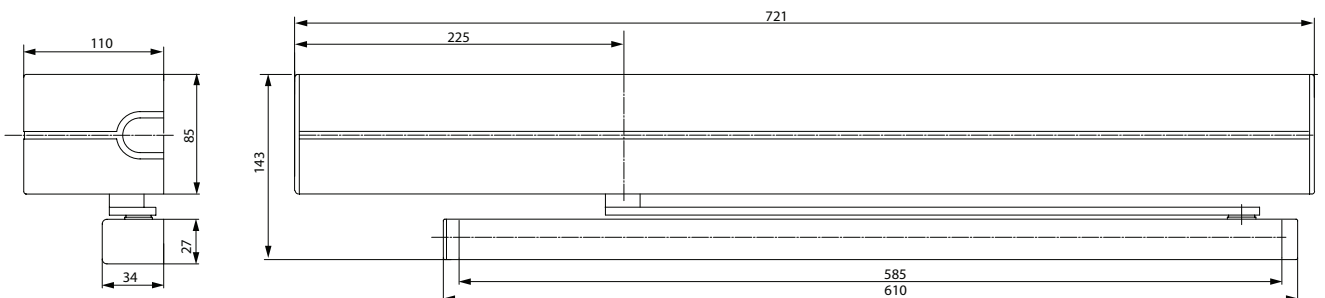
- For left and right handed doors
- The operator uses a motor to open the door, when closing it acts as a regular door closer
- Adjustable door opening and closing speed
- Adjustable hold open time
- Variable adjustable closing force
- Closing pull before opening as selectable function
- "Push&Go" function as standard
- Three mode program switch (AUTO/MAN/OPEN)
- Built-in safety functions
- Mounting plate included in the package
- Standard colour: silver EV1
- Customized finishes available on request

#### Characteristics for link arm L147

- Only for non-hinge side installations
- Recommended application
- For single doors up to 1000 mm wide
- Max door weight 125 kg
- Installation dimensions: see diagram

#### Characteristics of standard guide rail G149

- For hinge and non-hinge side installations
- For single doors up to 1000 mm wide
- Max door weight 80 kg



## Technical attributes

Technical attributes	
Class of protection	IP20
Voltage supply	110 / 230 VAC
Secondary voltage supply	24 VDC, 5A
Voltage for external impulse devices and locks	24 VDC, 0.5 A
Door width up to (link arm / guide rail)	1400 mm / 1100 mm
Max door weight (link arm / guide rail) 1m wide door	125 kg / 80 kg
Fire and smoke protection	Yes
Door swing direction	Left / Right handed door
Hold open time	Adjustable between 0 - 60 sec
Opening angle with link arm	110°
Opening angle with guide rail	100°
Weight in kg	9 kg
Depth	110 mm
Length	720 mm
Certified in compliance with	Electrical safety, Low voltage directive 2006/95/EC, EMC directive 2004/108/EC

### The advantages at a glance

Our service for you: here you can see the individual advantages of our door closer models for your respective field of business.

Customer segment	Advantages
Project planners	<ul style="list-style-type: none"> <li>- Extensive range of uses: Fire and smoke protection doors as well as standard internal and external doors</li> <li>- Modern design</li> <li>- Compact design</li> <li>- Comprehensive functions</li> </ul>
Builders	<ul style="list-style-type: none"> <li>- Adjustable to nearly all door and frame types</li> <li>- Quick and easy installation and commissioning</li> <li>- Quickly and easily adjustable</li> <li>- Suitable for left and right handed doors</li> </ul>
Trade	<ul style="list-style-type: none"> <li>- Complimentary accessories available</li> </ul>
User	<ul style="list-style-type: none"> <li>- Offers easy access through many kind of doors</li> <li>- Optimized door functions</li> <li>- Closes door in any circumstances because of integrated door closer</li> </ul>

### Specifications for DA960

ASSA ABLOY Door Operator DA960 with link arm L147 or guide rail G149

- For left and right handed doors
- The operator uses a motor to open the door, when closing it acts as a regular door closer
- Adjustable door opening and closing speed
- Adjustable hold open time
- Variable adjustable closing force
- Closing pull before opening as selectable function
- "Push&Go" function as standard
- Three mode program switch (AUTO/MAN/OPEN)
- Built-in safety functions
- Arm height extensions 10 mm and 20 mm
- Large range of door applications

### Accessories:

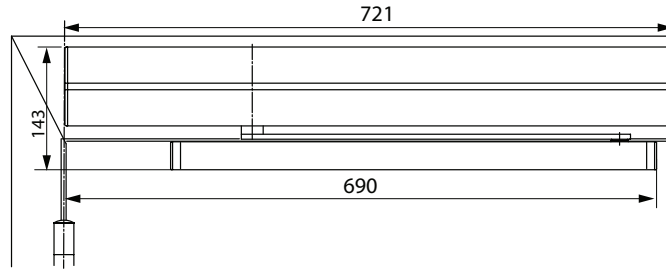
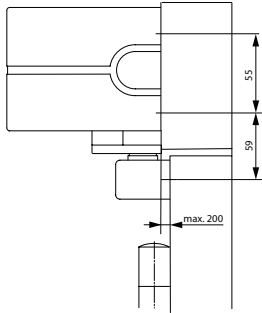
- Link arm L147
- Guide rail G149
- Extension piece (10 mm)
- Extension piece (20 mm)
- Microwave radar
- Safety sensor
- Microwave switch
- Elbow switch

### Colour:

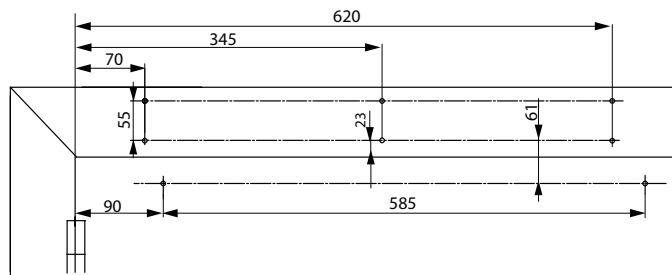
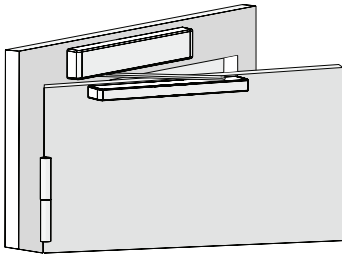
- Silver EV1
- Customized finish

You can find the complete specification on the internet at: (Link of your companies homepage)

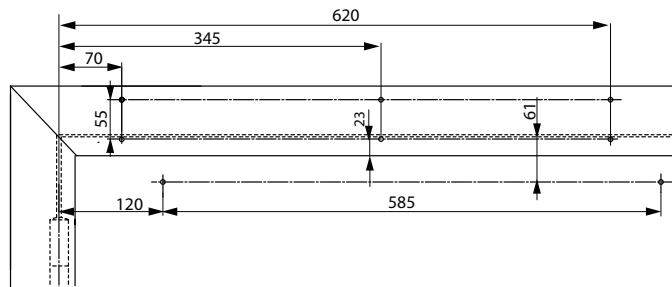
Dimensional drawings



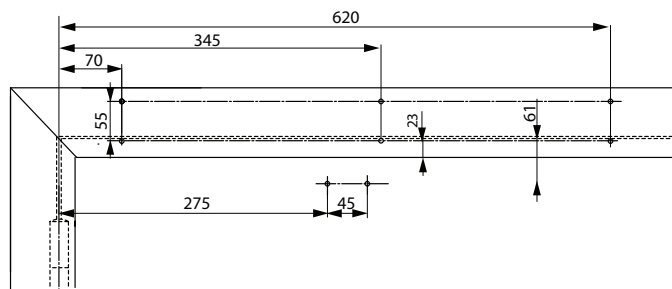
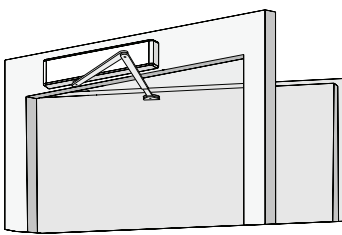
Regular hinge side mounting with guide rail G149  
 Left handed door shown in diagram  
 Right handed door is the reverse



Hinge side mounting with guide rail G149  
 Operator on hinge side of door frame  
 Left handed door shown in diagram  
 Right handed door is the reverse



Non-hinge side installation with guide rail G149  
 Operator on non-hinge side of door frame  
 Left handed door shown in diagram  
 Right handed door is the reverse



Non-hinge side mounting with link arm L147  
 Left handed door shown in diagram  
 Right handed door is the reverse

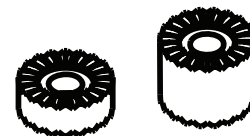


## DA960

## Dimensional drawings

## Extension pieces

10 mm or 20 mm extension pieces available with DA960 operator



Description	Order no.
Swing door operator DA960, hinge side installation, silver EV1	
Swing door operator DA960, non-hinge side installation, silver EV1	
Swing door operator DA960, hinge side installation, customized finish	
Swing door operator DA960, non-hinge side installation, customized finish	

Description	Order no.
Link arm L147, silver EV1	
Link arm L147, customized finish	
Guide rail G149, silver EV1	
Guide rail G149, customized finish	



#### ASSA ABLOY DA950

- Electro-mechanical swing door operator with link arm L147 or guide rail G149
- Suitable for internal and external doors
- For single action doors up to 1000 mm wide, 125 kg weight with link arm (recommended application)
- For single action doors up to 1000 mm wide, 80 kg weight with guide rail
- Quick and easy installation and commissioning

#### Characteristics DA950

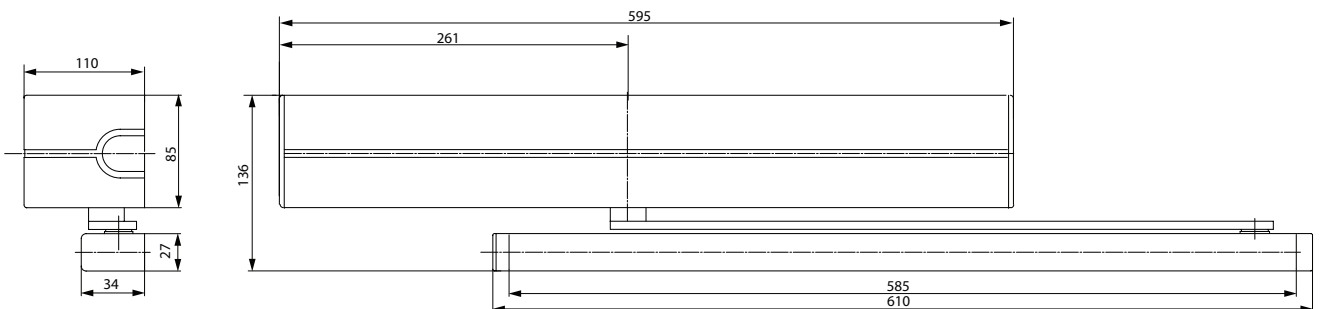
- For left and right handed doors
- Motorized door opening and closing
- Adjustable door opening and closing speed
- Adjustable hold open time
- "Hold closed force" as selectable function
- Closing pull before opening as selectable function
- "Push&Go" function as standard
- Three mode program switch (AUTO/MAN/OPEN)
- Possible to connect with fire detector
- Possible to connect with external back-up batteries
- Built-in safety functions
- Mounting plate included in the package
- Standard colour: silver EV1
- Customized finishes available on request

#### Characteristics for link arm L147

- Only for non-hinge side installations
- Recommended application
- For single doors up to 1000 mm wide
- Max door weight 125 kg
- Installation dimensions: see diagram

#### Characteristics of standard guide rail G149

- For hinge and non-hinge side installations
- For single doors up to 1000 mm wide
- Max door weight 80 kg



## Technical attributes

Technical attributes	
Class of protection	IP 20
Voltage supply	90 - 264 VAC
Secondary voltage supply	24 VDC, 3A
Voltage for external impulse devices and locks	24 VDC, 0.5 A / 12 VDC, 1.0 A
Door width up to (link arm / guide rail)	1000 mm / 1000 mm
Max door weight (link arm / guide rail)	125 kg / 80 kg
Fire and smoke protection	Check local regulations
Door swing direction	Left / Right handed door
Hold open time	Adjustable between 0 - 60 sec
Opening angle with link arm	100°
Opening angle with guide rail (hinge side / non hinge side)	100° / 90°
Weight	6.5 kg
Height	85 mm
Depth	110 mm
Length	595 mm
Certified in compliance with	Electrical safety, Low voltage directive 2006/95/EC, EMC directive 2004/108/EC

### The advantages at a glance

Our service for you: here you can see the individual advantages of our door closer models for your respective field of business.

Customer segment	Advantages
Project planners	<ul style="list-style-type: none"> <li>- Extensive range of uses: standard internal and external doors</li> <li>- Modern design</li> <li>- Compact design</li> <li>- Comprehensive features</li> </ul>
Builders	<ul style="list-style-type: none"> <li>- Adjustable to nearly all door and frame types</li> <li>- Quick and easy installation and commissioning</li> <li>- Quickly and easily adjustable</li> <li>- Suitable for left and right handed doors</li> </ul>
Trade	<ul style="list-style-type: none"> <li>- Complimentary accessories available</li> </ul>
User	<ul style="list-style-type: none"> <li>- Offers easy access through many kind of doors</li> <li>- Optimized door functions</li> <li>- Silent operation</li> </ul>

### Specifications for DA950

ASSA ABLOY Door Operator DA950 with link arm L147 or guide rail G149

- For left and right handed doors
- Motorized door opening and closing
- Adjustable door opening and closing speed
- Adjustable hold open time
- "Hold closed force" as selectable function
- Closing pull before opening as selectable function
- "Push&Go" function as standard
- Built-in safety functions
- Arm height extensions 10 mm, 20 mm and 60 mm
- Large range of door applications

### Accessories:

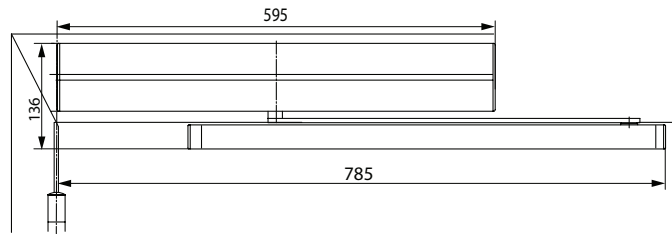
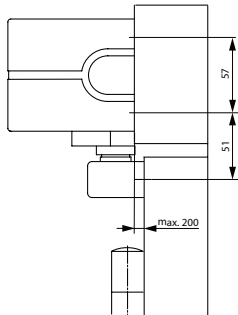
- Link arm L147
- Guide rail G149
- Extension piece (10 mm)
- Extension piece (20 mm)
- Extension piece (60 mm)
- Microwave radar
- Safety sensor
- Microwave switch
- Elbow switch

### Colour:

- Silver EV1
- Customized finish

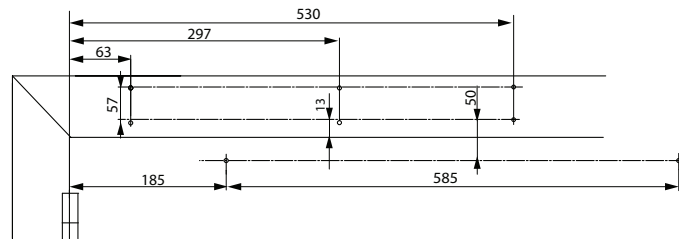
You can find the complete specification on the internet at: (Link of your companies homepage)

Dimensional drawings



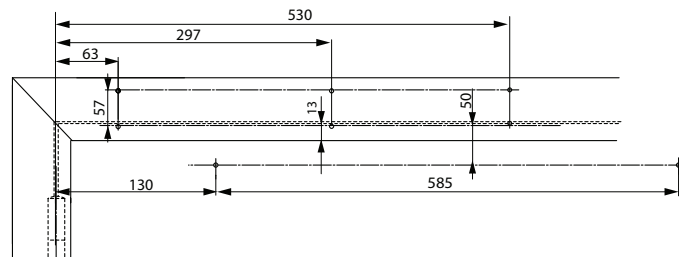
Regular hinge side mounting with guide rail G149

Left handed door shown in diagram  
Right handed door is the reverse



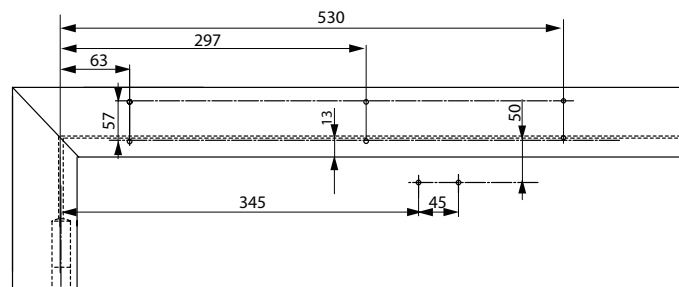
Hinge side mounting with guide rail G149

Operator on hinge side of door frame  
Left handed door shown in diagram  
Right handed door is the reverse



Non-hinge side installation with guide rail G149

Left handed door shown in diagram  
Right handed door is the reverse



Non-hinge side mounting with link arm L147

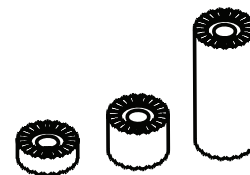
Left handed door shown in diagram  
Right handed door is the reverse

# DA950

## Accessories

### Extension pieces

10 mm, 20 mm or 60 mm extension pieces available with DA950 operator



Description	Order no.	Description	Order no.
Swing door operator DA950, silver EV1		Link arm L147, customized finish	
Swing door operator DA950, customized finish		Guide rail G149, silver EV1	
Link arm L147, silver EV1		Guide rail G149, customized finish	



#### ASSA ABLOY DA930

- Electro-mechanical swing door operator with guide rail G193, G195 or with link arm L190
- Suitable for internal, non-fire doors
- For single action doors up to 1000 mm wide, 80 kg weight with link arm and up to 1000 mm wide, 60 kg weight with guide rail

#### Characteristics DA930

- For left and right handed doors
- Adjustable door speed and hold open time
- "Push&Go" function as standard
- Closing force selectable according to door weight
- Closing pull before opening as selectable function
- Opening angle up to 110°
- Silent operation
- Built-in safety functions
- Axis continuously height adjustable up to 14 mm
- Can be used with or without mounting plate
- Large range of internal door applications
- Standard colour: silver EV1
- Customized finishes available on request

#### Characteristics for guide rail G195

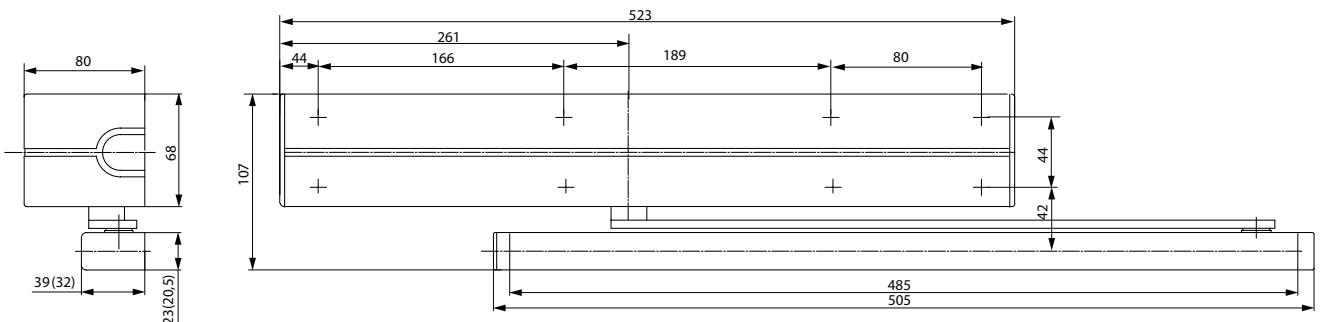
- Height-adjustable by 2 mm for tolerance
- Concealed fastening screws
- Installation dimensions: see diagram

#### Characteristics of standard guide rail G193

- Without protective cover
- Visible fastening screws
- Installation dimensions: see diagram (dimensions in bracket)

#### Characteristics of link arm L190

- Only for non-hinge side installations
- Installation dimensions: see diagram
- L190 is more preferably to use



## Technical attributes

Technical attributes	
Class of protection	IP 20
Voltage supply	110-230 VAC
Secondary voltage supply	24 VDC, 2 A
Voltage for external impulse devices and locks	24 VDC, 0.5 A
Door width up to	1100 mm
Max door weight with guide rail / link arm (1 m wide door)	60 kg / 80 kg
Fire and smoke protection	No
Door swing direction	Left / Right handed door
Opening angle hinge side	110°
Opening angle non-hinge side	90° / 100°
Hold open time	Adjustable between 0 - 60 sec
Weight	3.1 kg
Height	68 mm
Depth	80 mm
Length	523 mm
Certified in compliance with	Electrical safety, low voltage directive 73/23/EEC, EMC directive 89/336/EEC

### The advantages at a glance

Our service for you: here you can see the individual advantages of our door closer models for your respective field of business.

Customer segment	Advantages
Project planners	<ul style="list-style-type: none"> <li>- For internal non-fire door applications, e.g. nursing homes, offices and residential buildings</li> <li>- Modern design</li> <li>- Compact design</li> <li>- Comprehensive functions</li> </ul>
Builders	<ul style="list-style-type: none"> <li>- Adjustable to nearly all door and frame types</li> <li>- Quick and easy installation and commissioning</li> <li>- Quickly and easily adjustable</li> <li>- Suitable for left and right handed doors, in both door and frame mounted applications</li> </ul>
Trade	<ul style="list-style-type: none"> <li>- One single product suitable for a large variety of mounting positions</li> <li>- Complimentary accessories available</li> </ul>
User	<ul style="list-style-type: none"> <li>- Offers easy access through many kind of internal doors</li> <li>- Optimized door functions</li> <li>- Silent operation</li> </ul>

### Specifications for DA930

ASSA ABLOY Door Operator DA930 with guide rail G193, G195 or with link arm L190

- For left and right handed doors
- Adjustable door speed and hold open time
- "Push&Go" function as standard
- Closing force selectable according to door weight
- Closing pull before opening as selectable function
- Opening angle up to 110°
- Silent operation
- Built-in safety functions
- Axis continuously height adjustable up to 14 mm
- Can be used with or without mounting plate
- Large range of internal door applications

### Accessories:

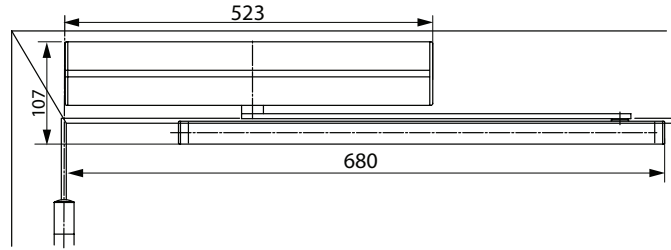
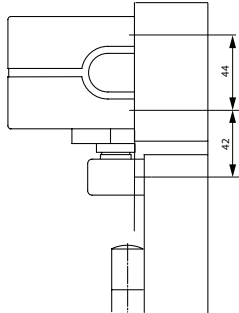
- Standard guide rail G193
- Height-adjustable guide rail G195
- Link arm L190
- Mounting plate A105
- Microwave radar
- Safety sensor
- Microwave switch
- Elbow switch

### Colour:

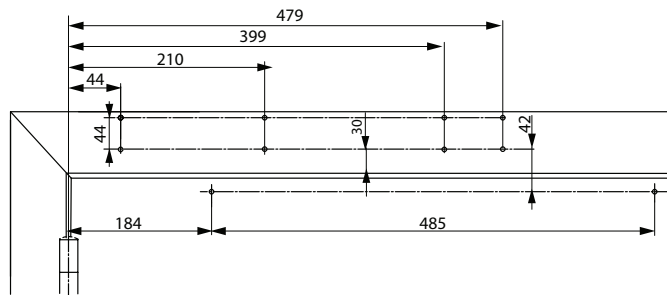
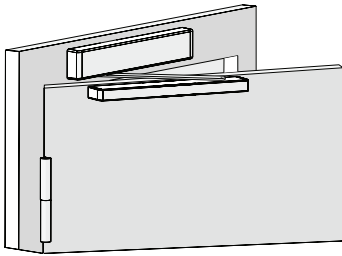
- Silver EV1
- Customized finish

You can find the complete specification on the internet at: (Link of your companies homepage)

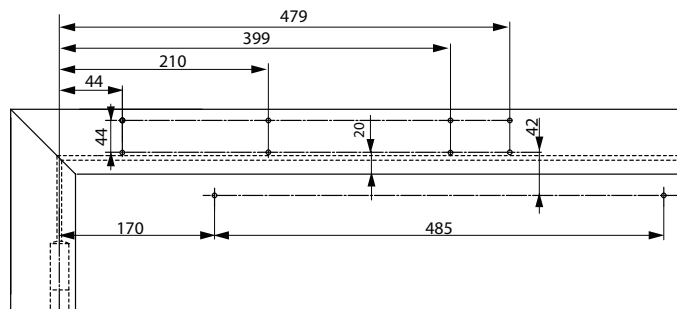
Dimensional drawings



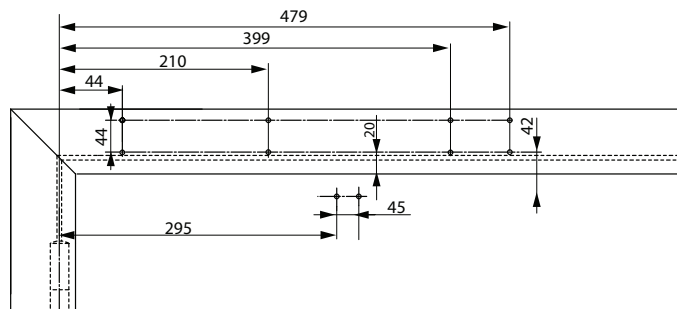
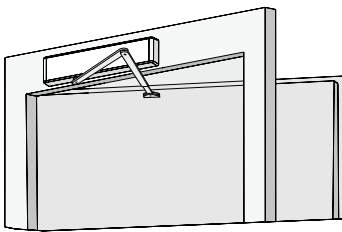
**Regular frame mounting**  
 Left handed door shown in diagram  
 Right handed door is the reverse



**Frame mounting**  
 Operator on hinge side of door frame  
 Left handed door shown in diagram  
 Right handed door is the reverse



**Frame mounting**  
 Operator on non-hinge side of door frame  
 Right handed door shown in diagram  
 Left handed door is the reverse



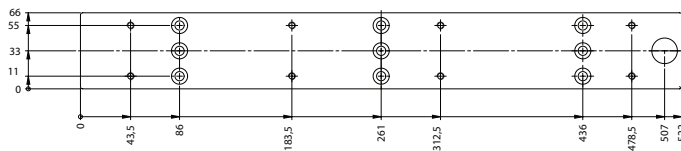
**Frame mounting**  
 Operator on non-hinge side of door frame  
 Right handed door shown in diagram  
 Left handed door is the reverse



# DA930

## Accessories

Mounting plate A105  
Mounting plate for operator fixing



Description	Order no.
Swing door operator DA930, Silver EV1	
Swing door operator DA930, customized finish	
Guide rail G193, silver EV1	
Guide rail G193, customized finish	

Description	Order no.
Guide rail G195, silver EV1	
Guide rail G195, customized finish	
Link arm L190, silver EV1	
Link arm L190, customized finish	

## Order form

Please copy formular, complete and fax it back to ASSA ABLOY!

**ASSA ABLOY**

Customer-No.:

Address:

\_\_\_\_\_  
\_\_\_\_\_  
Company  
\_\_\_\_\_  
Branch  
\_\_\_\_\_  
Contact  
\_\_\_\_\_  
Telephone  
\_\_\_\_\_  
Fax  
\_\_\_\_\_  
Email  
\_\_\_\_\_  
Street / POB  
\_\_\_\_\_  
Postal Code / Town  
\_\_\_\_\_  
\_\_\_\_\_  
Order Date:

**ASSA ABLOY Baltic AS****Estonia**

Valdeku 132  
Tallinn 11216  
Tel. +372 655 1001  
Fax +372 655 1000  
info@assaabloy.ee  
[www.assaabloy.ee](http://www.assaabloy.ee)

**Latvia**

Kalnciema st. 33  
Riga, LV-1046  
Tel. +371 6714 2020  
Fax +371 6714 2021  
info@assaabloy.lv  
[www.assaabloy.lv](http://www.assaabloy.lv)

**Lithuania**

Ukmergės st. 427  
Vilnius, LT-12107  
Tel. +370 5 2300671  
Fax +370 5 2300673  
info@assaabloy.lt  
[www.assaabloy.lt](http://www.assaabloy.lt)

Order Number	Pce.

Urgent orders can also  
be placed via email:

As a proven supplier of door release systems, effeff is known for reliable and prompt deliveries. We offer you two methods of ordering: You can fax us the completed form or send us details of your requirements via email to the following address: [info@assaabloy.ee](mailto:info@assaabloy.ee) (for Estonia), [info@assaabloy.lv](mailto:info@assaabloy.lv) (for Latvia), [info@assaabloy.lt](mailto:info@assaabloy.lt) (for Lithuania)

Quotations and deliveries are made in accordance with our conditions of delivery and payment.



ASSA ABLOY is the global leader in door opening solutions, dedicated to satisfying end-user needs for security, safety and convenience.

**ASSA ABLOY**

**ASSA ABLOY Baltic AS**

**Estonia**

Valdeku 132  
Tallinn 11216  
Tel. +372 655 1001  
Fax +372 655 1000  
info@assaabloy.ee  
www.assaabloy.ee

**Latvia**

Kalnciema st. 33  
Riga, LV-1046  
Tel. +371 6714 2020  
Fax +371 6714 2021  
info@assaabloy.lv  
www.assaabloy.lv

**Lithuania**

Ukmergės st. 427  
Vilnius, LT-12107  
Tel. +370 5 2300671  
Fax +370 5 2300673  
info@assaabloy.lt  
www.assaabloy.lt