

MECHANICAL LOCK CASES

Technical descriptions



General information	3-4
----------------------------------	-----

▶ Locks for interior doors

ABLOY® 2011.....	5	ABLOY® 4260.....	9
ABLOY® 2014.....	5	ABLOY® 4290.....	9
ABLOY® 2016.....	5	ABLOY® 4291.....	9
ABLOY® 2018.....	6	ABLOY® 4570.....	10
ABLOY® 2019.....	6	ABLOY® 9456.....	10
ABLOY® 2020.....	6	ABLOY® 4230.....	10
ABLOY® 2024.....	7	ABLOY® 4250.....	11
ABLOY® 2025.....	7	ABLOY® 4251.....	11
ABLOY® 2040.....	7	ABLOY® 4252.....	11
ABLOY® 2041.....	8	ABLOY® 4262.....	12
ABLOY® 4238.....	8	ABLOY® 4271.....	12
ABLOY® 4249.....	8	ABLOY® 4282.....	12

▶ Lock cases for wooden doors / steel doors

ABLOY® LC100.....	13	ABLOY® LC203.....	17
ABLOY® 4190.....	13	ABLOY® LC205.....	18
ABLOY® 4190T.....	14	ABLOY® LC206.....	18
ABLOY® LC204.....	14	ABLOY® LC208.....	18
ABLOY® 4193.....	14	ABLOY® LC209.....	19
ABLOY® 4194.....	15	ABLOY® LC209A.....	19
ABLOY® 4195.....	15	ABLOY® LC210.....	19
ABLOY® 4195T.....	15	ABLOY® 451S.....	20
ABLOY® 4197.....	16	ABLOY® 451S MP.....	20
ABLOY® 4960.....	16	ABLOY® 4865.....	21
ABLOY® 4960T.....	16	ABLOY® 4272.....	21
ABLOY® LC200.....	17	ABLOY® 4272MP.....	21
ABLOY® LC202.....	17		

▶ Double cylinder lock cases for wooden doors / steel doors

ABLOY® LC120.....	22	ABLOY® LC123.....	23
ABLOY® LC121.....	22	ABLOY® LC125.....	23
ABLOY® LC121T.....	22	ABLOY® LC125T.....	24
ABLOY® LC122.....	23	ABLOY® LC127.....	24

▶ Security and additional locks for wooden doors / steel doors

ABLOY® SL900.....	25	ABLOY® 2928.....	27
ABLOY® SL901.....	25	ABLOY® 4181.....	27
ABLOY® SL905.....	25	ABLOY® LC211.....	27
ABLOY® SL905MP.....	26	ABLOY® 4232.....	28
ABLOY® 428.....	26	ABLOY® 4232MP.....	28
ABLOY® 428MP.....	26	ABLOY® 4233.....	28

▶ Locks for firearm cabinets and safes

ABLOY® 2925.....	29	ABLOY® 2926.....	29
------------------	----	------------------	----

▶ Security locks for narrow profile doors

ABLOY® LC306.....	29	ABLOY® LC307.....	30
ABLOY® LC306H.....	30	ABLOY® LC307H.....	30

▶ Lock cases for narrow profile doors

ABLOY® LC300.....	31	ABLOY® LC302.....	32
ABLOY® LC301.....	31	ABLOY® LC303.....	32
ABLOY® LC301F.....	31	ABLOY® LC305.....	32

▶ Double cylinder lock cases for narrow profile doors

ABLOY® LC130.....	33	ABLOY® LC132.....	33
ABLOY® LC131.....	33		

▶ Installation accessories

ABLOY® 2050 installation box	34	Escutcheons.....	35
ABLOY® 2051 installation box	34	Cover plates.....	35
Transfer device ABLOY®518.....	34	Cover front plates.....	36
Rounding pieces.....	35	Keys.....	36

Striker plates	37
-----------------------------	----

Mortises	41
-----------------------	----

Multipoint locking applications	53
--	----

Product information

Locks with automatic deadlocking

Many ABLOY® lock cases are equipped with an automatic deadlocking action, which facilitates the use of the lock. The automatic deadlocking action is controlled by a snib in the forend. In the deadlocking mode it is not possible to retract the bolt other but using the cylinder or thumbturn and consequently a lock case with an automatic deadlocking must always be fitted with a cylinder or a thumbturn.

Automatic deadlocking lock cases are designed to function perfectly with 2–5 mm door clearance.

T-model

The automatic deadlocking is controlled by a turning snib in the forend. The snib can be turned by a square key. The position of the turning snib: Turned clockwise = deadlocking. Turned anticlockwise = day use.

ABLOY® LC100

ABLOY® LC100 lock case is opened by turning first the key or thumbturn and then using the handle.

The lock case ABLOY® LC100 is fitted with a patented feature to prevent an unauthorized use of the snib. The snib is locked to the deadlocking mode by turning a set screw, located below the snib, about two turns anticlockwise by a hexagonal key, until the screw stops and is opened by turning the screw clockwise.

Double cylinder lock cases and transfer devices

Double cylinder lock cases and transfer devices can be used to combine two different key systems in the same door. For example doors for electrical control rooms, boiler rooms, garbage sheds or similar service premises are suitable for application, thus making it possible to provide an access for e.g. a service company to enter the room with their own keys.

Applications

When choosing a lock case for a particular purpose, you should pay attention to the demands for: burglary protection, insurance company requirements, fire resistance, emergency exit safety, operational safety, durability, mortice and fittings standards, corrosion protection.

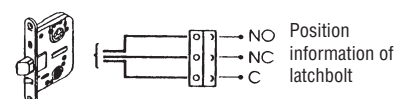
The most common applications and the lock cases used:

Interior doors	Interior doors/standard: 2014, 2024, 2020, 2040, 2041, 4250 Interior doors/renovation: 2020, 2024, 2025 Public buildings: 2018, 2019, 2024, 4242, 4250, 4252, 4290, LC208 Narrow profiles: LC300 Toilets/bathrooms/standard: 2014, 2025, 2040, 2041, 4251, 4271 Public buildings: 4251, 4271, 4291, 2025, LC200 Saunas: 4238 Lockable interior doors/standard: 2011, 2016, 2018, 4230, 4252, 4260, 4570, 9456 Public buildings: 4190, 4230, 4252, 4262, 4282, LC200 Narrow profiles: LC302, LC305 Sliding doors/standard: 4249 Public buildings: 4960, 4960T
Exterior doors	Houses/standard: LC100, 4190, 4272, LC200, LC209, LC209A, LC210, 451S Public buildings: 4190 (T), 4195 (T), 4272, LC200, LC209, LC209A, LC210 Narrow profiles: LC302, LC305 Steel doors: 4272MP, 451S MP
Additional locking	Wooden doors: SL900, SL901, SL905, 428, 4181, 4232, 4233, LC211 Balcony doors: 2928 Narrow profiles doors: LC306, LC307 Sliding narrow profiles doors: LC306H, LC307H Steel doors: 428MP, 4232MP, SL905MP
Fire doors	Interior doors/standard: LC209, LC209A, LC210, 2011, 2014, 2024, 2025 Interior doors/public building: 4290, 4291, 2024, 2025 Houses/public building: 4190, 4190T, 4193, 4194, 4197, LC100, LC200, LC202, LC203, LC204, LC206, LC208, LC209, LC209A, LC210, 4262, 4272, 4282 Narrow profiles: LC300, LC301F, LC303, LC305 Steel doors: 4272MP
Emergency exits	Wooden doors: 4193, LC203 Narrow profiles: LC301, LC301F

Microswitch locks

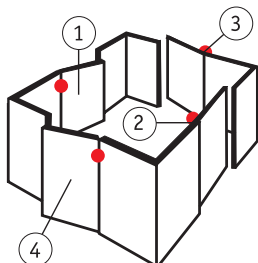
In microswitch locks the switch changes the status when the bolt has reached its fully protruded position and/or it's deadlocked. The ABLOY® microswitch lock case is equipped with a microswitch, which has a change-over contact. The switch follows mechanically the moves of the bolt or the deadlocking elements and changes its status according to the position of the actuating elements. The switching function of a particular lock type is clarified in the descriptions of the lock types.

- The microswitch version of each lock case has a product code ending with "X".
The product code for the microswitch version of e.g. 4190 is 4190X.
- Drilling, installation and mounting of door furniture is carried out in the same way as of corresponding mechanical lock cases, except that the cable of the microswitch needs to be routed to the door frame.
- Protective voltage must be used with microswitch lock cases.
 - Maximum current 1 A
 - Maximum voltage 60 VDC, 42 VAC
 - Maximum power 24 W
- A lock with a microswitch can be used as a sensor or switch for e.g. passage control or burglar alarm systems.
- Security locks can be used as switching and by-pass locks for burglar alarm systems.



Handing

Please specify the handing when ordering a lock case. A simple way to determine if the door (and lock) is left or right handed is to look at the door from the hinge side.



Left hand (1 & 3)

The hinges are on the left side.

Right hand (2 & 4)

The hinges are on the right side.

Dimensions & mortises

The drawings in this catalogue are available at www.abloy.com

Cylinders

The cylinder to be used with a lock case is specified for each product. We have used the following abbreviations:

CYLINDER AND FITTINGS

ABLOY® C, D, N Finnish range

KEY TYPES

ABLOY® CLASSIC (C), rotation direction only to clockwise

ABLOY® DISKLOCK PRO (D), ABLOY® PROTEC (N)

SCAND Scandinavian range oval/round

ABLOY® DISKLOCK PRO (D), ABLOY® PROTEC (N), ASSA, TrioVing o.e.

Euro DIN Europrofile DIN range

ABLOY® DISKLOCK PRO (D), ABLOY® PROTEC (N), FAB o.e.

Please contact the importer or your local dealer for more detailed information.

General finishes

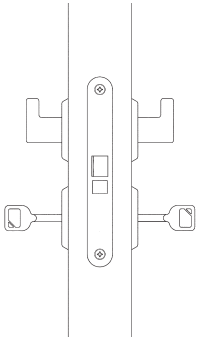
Fe/CR	Chrome plated steel
Fe/ZN	Zinc plated steel
Fe/ZNCR	Zinc chromated steel
Fe/ZL (Fe/ZNCRLQ)	Zinc chromated and lacquered steel
Fe/JME (Fe/EGL)	Powder coated steel, brass colour
Fe/JHA (Fe/EGR)	Powder coated steel, grey colour
Fe/JVA	Powder coated steel, white colour
Fe/HCR	Satin chrome plated steel
ZNALCU/JME	Powder coated zamac, brass colour
PA/BLACK	Black PA-polyamide
PA/WHITE	White PA-polyamide
Fe/YECRLQ	Yellow chromated and lacquered steel
Ms/CR	Chrome plated brass
Ms/HCR	Satin chrome plated brass
Ms/HA	Brushed and lacquered brass
Ms/KI	Polished brass
Ms/KILA	Polished and lacquered brass
Rt	Stainless steel

Special finishes: E.g. special powder colours, chemical nickel, brass plated are made only to order. Propriety to applications must be checked.

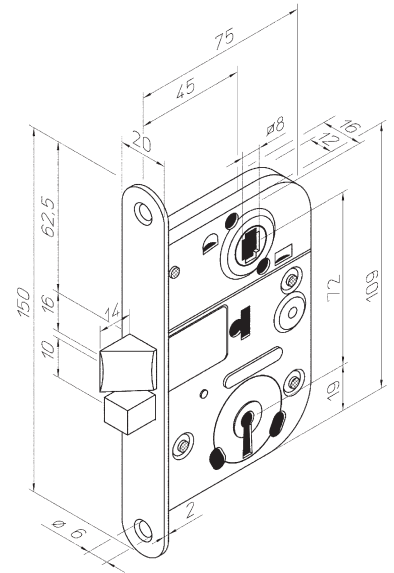
In wet places or other corrosive atmospheres, as indoor swimming baths, spas, food and chemical industry etc, a chemical nickel coating is recommended.

ABLOY® 2011

Lever lock for interior doors. The lock features 5 levers to give 250 different key combinations. Lock handing can easily be changed by pulling out the latchbolt and turning it 180° clockwise. The lock is fitted with lever handles and an escutcheon. The lock can also be equipped with DIN standard fittings. See page 41.

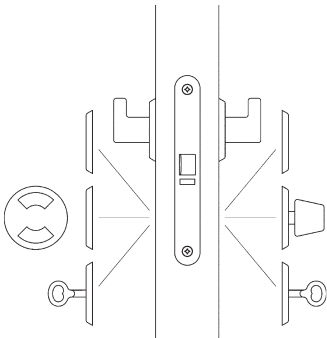


Striker plate	0045, 0055, 0068, 0068B Other striker plates see page 37–38
Finish	Fe/ZN, Fe/JME
Fire resistance	Yes
Mortise standard	SFS 5210 SS 81 73 82 Please see page 41

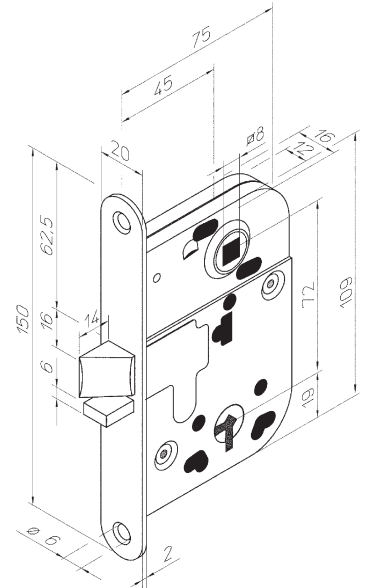


ABLOY® 2014

Lock for interior doors. It can be locked with either a key or a toilet thumbturn. Lock handing can easily be changed by pulling out the latchbolt and turning it 180° clockwise. The lock can be used with a lever handle only or with both a lever handle and a key or a toilet thumbturn. The lock can also be equipped with DIN standard fittings. See page 41.

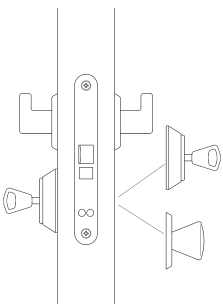


Striker plate	0045, 0055, 0068, 0068B Other striker plates see page 37–38
Finish	Fe/ZN, Fe/JME
Fire resistance	Yes
Mortise standard	SFS 5210 SS 81 73 82 Please see page 41

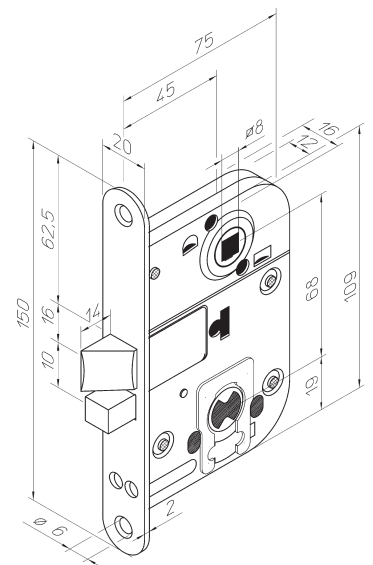


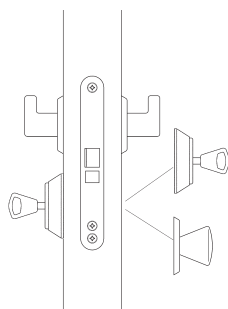
ABLOY® 2016

Cylinder lock case for interior doors. It can be locked using a key or a thumbturn. In locked position, the deadbolt protrudes 14 mm. Lock handing can easily be changed by pulling out the latchbolt and turning it 180° clockwise.



Striker plate	0045, 0055, 0068, 0068B Other striker plates see page 37–38
Finish	Fe/ZL
Fire resistance	Yes
Cylinder	SCAND
Mortise standard	SFS 5210 SS 81 73 82 Please see page 41



ABLOY® 2018

Cylinder lock for interior doors. The lock can be opened and locked by turning the key one turn. In locked position, the deadbolt protrudes 14 mm. The latch can be retracted both by handles or by key.

Lock handing can easily be changed by pulling out the latchbolt and turning it 180° clockwise.

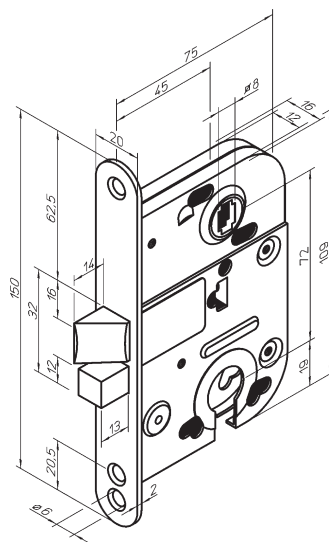
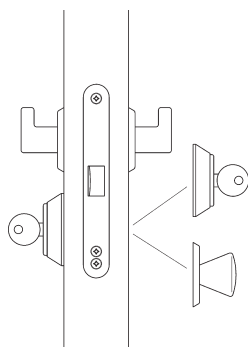
Striker plate 0045, 0055, 0068, 0068B
Other striker plates see page 37–38

Finish Fe/JME, Fe/ZL

Fire resistance Yes

Cylinder Euro DIN

Mortise Special mortise standard, please see page 42

**ABLOY® 2019**

Cylinder lock for interior doors. The lock can be opened and locked by turning the key one turn. In locked position, the latchbolt is deadlocked. The latchbolt can be retracted both by handles or by key.

Lock handing can easily be changed by pulling out the latchbolt and turning it 180° clockwise.

Striker plate 0045, 0055, 0068, 0068B
Other striker plates see page 37–38

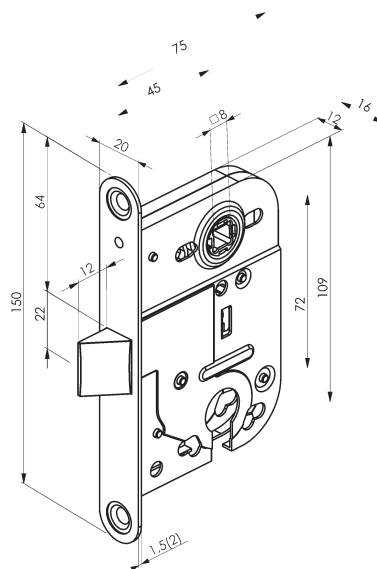
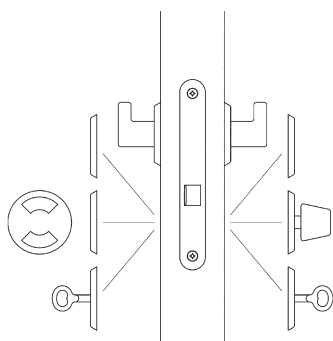
Standard finish Fe/JME, Fe/Zn

Additional finish Fe/CR, Fe/HCR, Ms/HA, Ms/KILA, Rt

Fire resistance Yes

Cylinder Euro DIN

Mortise Special mortise standard, please see page 42

**ABLOY® 2020**

Lock for interior doors. It has one latch bolt which can be deadlocked with either a key or a toilet thumbturn. Lock handing can easily be changed by pulling out the latchbolt and turning it 180° clockwise. The lock can be used with a lever handle only or with both a lever handle and a key or a toilet thumbturn.

The lock fits into the same mortise as e.g. ASSA 404 and 404T.

2020 replaces the following old lock types:

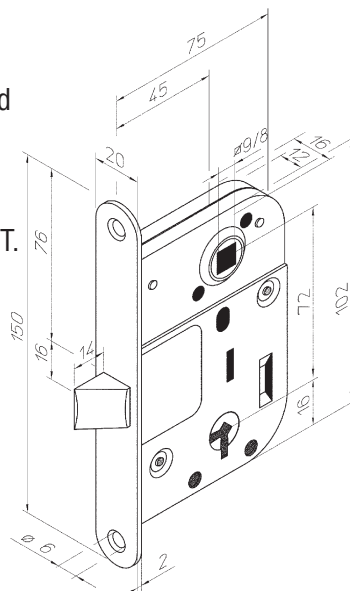
BODA 408-409-418-420-422-423-448-501-502-503 and ASSA 404 and 404T

Striker plate 0045, 0055, 0068, 0068B
Other striker plates see page 37–38

Finish Fe/JME

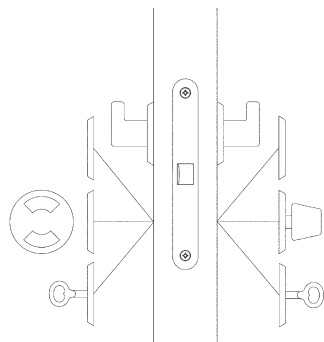
Fire resistance Yes

Mortise standard SFS 5210
SS 81 73 82
Please see page 41

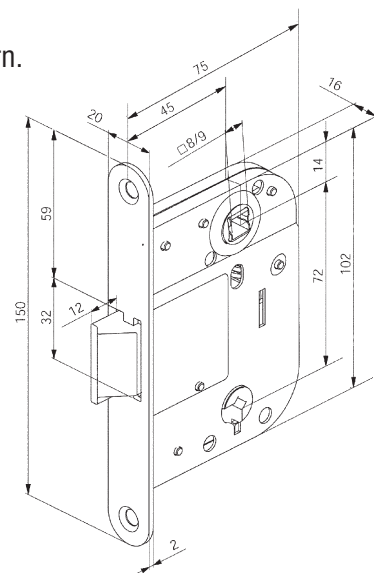


ABLOY® 2024

Lock for interior doors. The lock can be used with a lever handle only or with both a lever handle and a toilet thumbturn. The finish can easily be changed by using decorative cover front plate. The lock can be used without decorative cover front plate also. Lock handing can easily be changed by pulling out the latchbolt and turning it 180° clockwise.



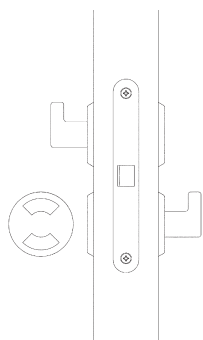
- Striker plate 0045, 0055, 0068, 0068B
Other striker plates see page 37–38
- Standard finish, lock Fe/JME and Fe/JHA
- Decorative cover front plate 7640 Fe/CR, Fe/HCR, Ms/HA, Ms/KI, Rt
- Fire resistance Yes
- Mortise standard SFS 5210
SS 81 73 82
Please see page 41



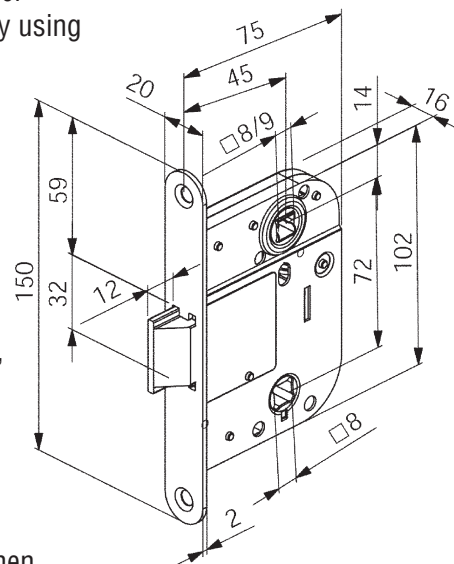
The mortise for the forend should be 3 mm deep when using cover front plate 7640.

ABLOY® 2025

A toilet door lock, which is locked by turning the lever handle upwards. The finish can easily be changed by using decorative cover front plate. The lock can be used without decorative cover front plate also. Lock handing can easily be changed by pulling out the latchbolt and turning it 180° clockwise.



- Striker plate 0045, 0055, 0068, 0068B
Other striker plates see page 37–38
- Standard finish, lock Fe/JME and Fe/JHA
- Decorative cover front plate 7640 Fe/CR, Fe/HCR, Ms/HA, Ms/KI, Rt
- Fire resistance Yes
- Mortise standard SFS 5210
SS 81 73 82
Please see page 41



The mortise for the forend should be 3 mm deep when using cover front plate 7640.

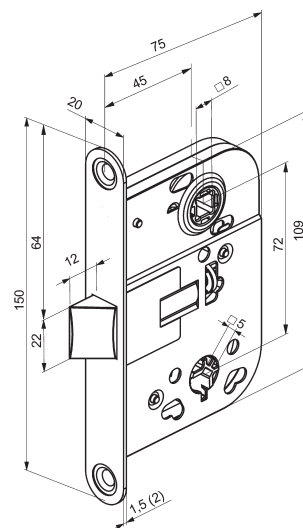
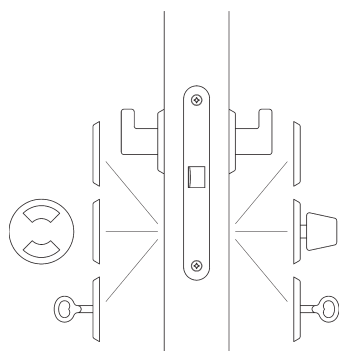
ABLOY® 2040

Lock for interior doors with steel latch bolt. The lock can be used with a lever handle only or with both a lever handle and a toilet thumbturn.

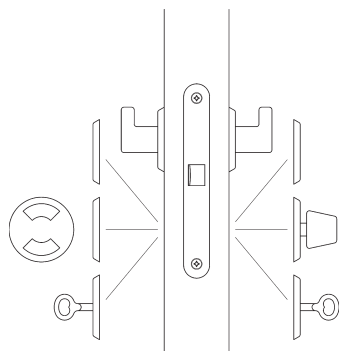
Lock handing can easily be changed by pulling out the latch bolt and turning it 180° clockwise.

The lock can also be equipped with DIN standard fittings. See page 41.

- Striker plate 0045, 0055, 0068, 0068B
Other striker plates see page 37–38
- Standard finish Fe/JME and Fe/Zn
- Additional finish Fe/CR, Fe/HCR, Ms/HA, Ms/KILA, Rt
- Fire resistance Yes
- Mortise standard SFS 5210
SS 81 73 82
Please see page 41



ABLOY® 2041

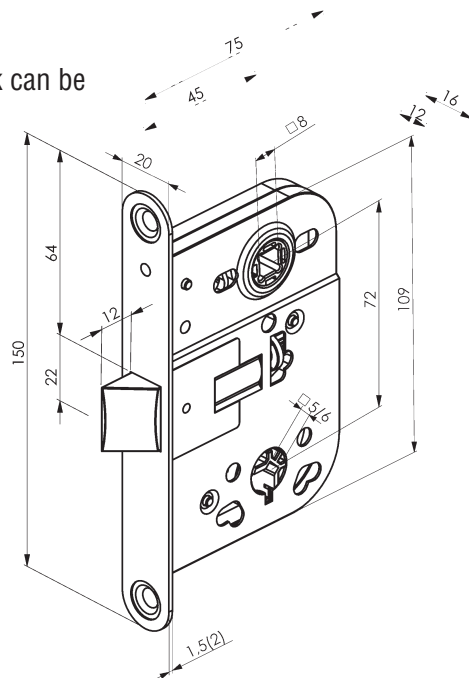


Lock for interior doors with steel latch bolt. The lock can be used with a lever handle only or with both a lever handle and a toilet thumbturn.

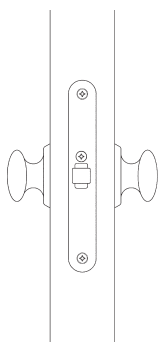
There is a version of the lock for 4 mm, 5 mm or 6 mm toilet spindle.

Lock handing can easily be changed by pulling out the latch bolt and turning it 180° clockwise.

Striker plate	0045, 0055, 0068, 0068B Other striker plates see page 37–38
Standard finish	Fe/JME and Fe/Zn
Additional finish	Fe/CR, Fe/HCR, Ms/HA, Ms/KILA, Rt
Fire resistance	Yes
Mortise standard	SFS 5210 SS 81 73 82 Please see page 41

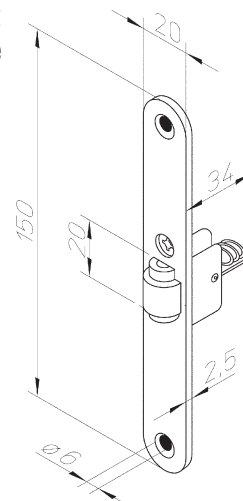


ABLOY® 4238

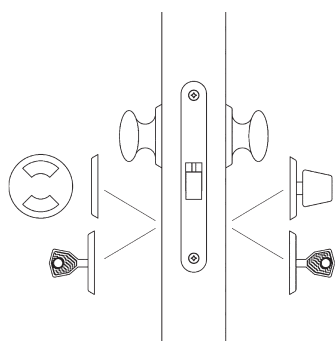


Symmetric roller latch. The roller latch protrusion can be adjusted by means of a screw in the front plate. The door must have a door pull. For reasons of safety, a special striker plate is used in conjunction with the roller latch.

Striker plate	0046, 0078
Finish	ZNALCU/JME
Fire resistance	–
Mortise standard	SFS 5210 SS 81 73 82 Please see page 41

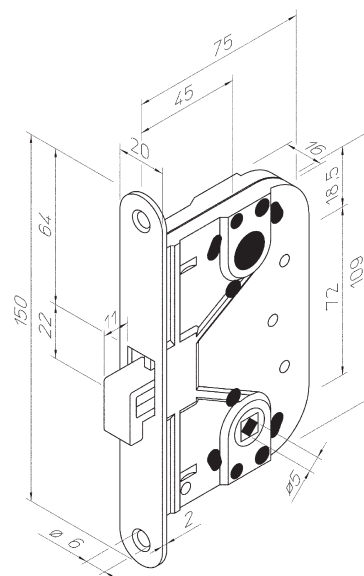


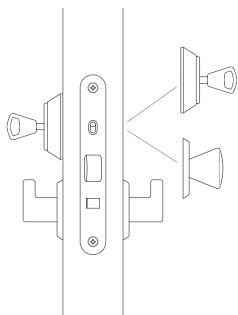
ABLOY® 4249



Lock case for lightweight sliding and folding doors. The hookbolt can be locked. Either by using a key or toilet thumbturn.

Striker plate	4662
Finish	Fe/JME
Fire resistance	–
Mortise standard	SFS 5210 SS 81 73 82 Please see page 41



ABLOY® 4570

Cylinder mortise lock with an automatically deadlocking latchbolt for interior doors. Deadlocking is controlled by a snib in the front plate.

Snib position:

UP = Deadlocking, latchbolt protrudes 20 mm. The lock can be opened only with a key or a thumbturn.

DOWN = Latchbolt protrudes 14 mm.

The lock can also be opened with lever handles.

Striker plate 0045,0055, 0068, 0068B
Other striker plates see page 37–38

Finish Fe/ZL

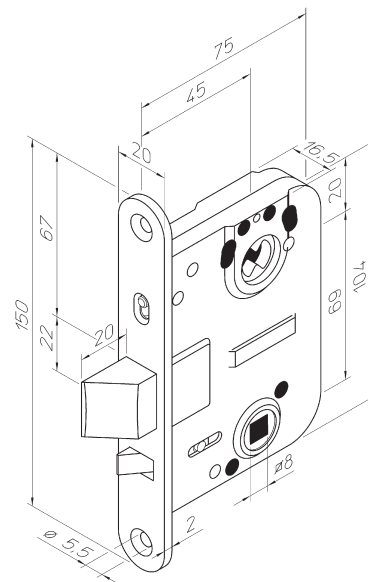
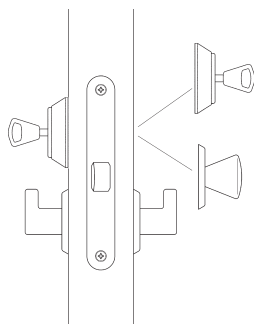
Cylinder ABLOY® D, N, SCAND

Fire resistance –

Mortise standard SFS 5210

SS 81 73 82

Please see page 41

**ABLOY® 9456**

Cylinder lock case for interior doors. A turn of the key or thumbturn clockwise throws the latchbolt 20 mm and deadlocks. The lock is opened by turning the key or thumbturn anticlockwise thereby allowing the latchbolt to protrude 14 mm for day mode. The door can then be opened using the lever handles.

Striker plate 0045,0055, 0068, 0068B
Other striker plates see page 37–38

Finish Fe/ZL

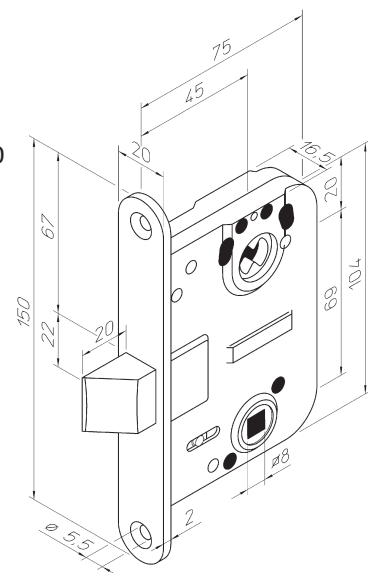
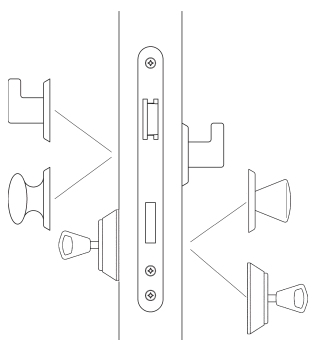
Cylinder ABLOY® D, N, SCAND

Fire resistance –

Mortise standard SFS 5210

SS 81 73 82

Please see page 41

**ABLOY® 4230**

Symmetric exterior door lock for DIN eurocylinder.

The handing of the lock can easily be changed by turning the latch 180°.

The latch is controlled by lever handles or a cylinder and the deadbolt the cylinder.

The deadbolt is protruding 20 mm.

Compatible with similar GOST norm products.

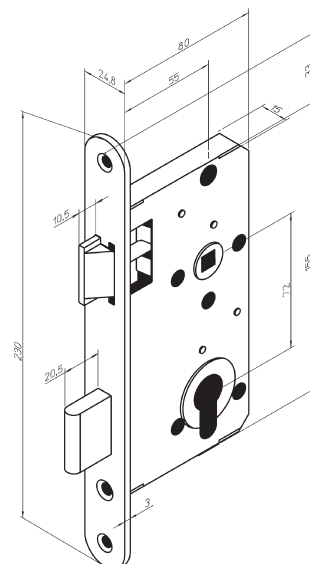
Striker plate 0029, 4667, 4669

Finish Fe/JME, Fe/ZL

Cylinder Euro DIN

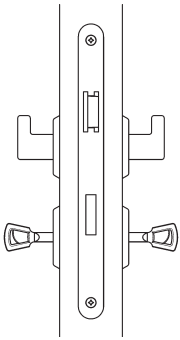
Fire resistance –

Mortise standard Please see page 44

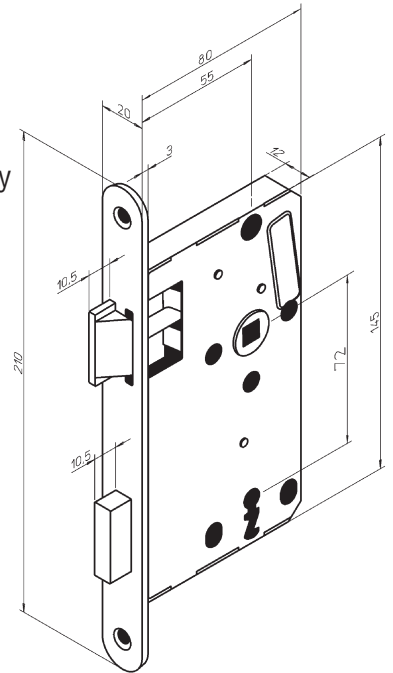


ABLOY® 4250

Symmetric lock for interior doors.
 The handing of the lock can easily be changed by turning the latch 180°.
 The latch is controlled by lever handles and the deadbolt by the key. The deadbolt is protruding 10 mm.

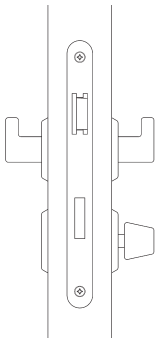


- Striker plate 0029, 4667, 4669
- Finish Fe/JME, Fe/ZL
- Fire resistance –
- Mortise standard Please see page 43

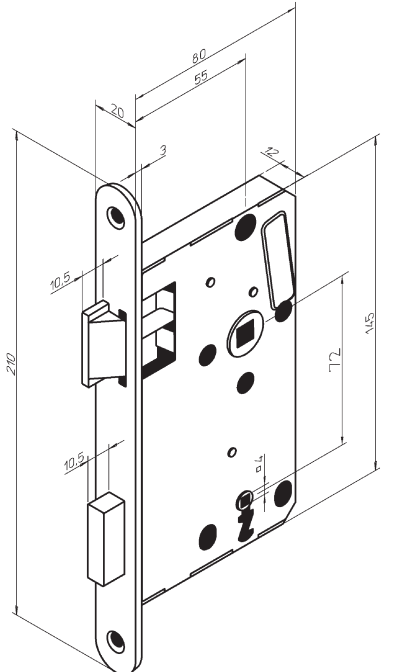


ABLOY® 4251

Symmetric lock for toilet doors. The handing of the lock can easily be changed by turning the latch 180°.
 The latch is controlled by lever handles and the deadbolt by a toilet thumbturn (4 mm spindle).
 The deadbolt is protruding 10 mm.

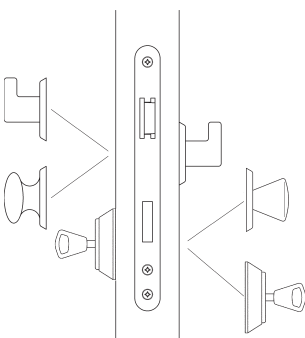


- Striker plate 0029, 4667, 4669
- Finish Fe/JME, Fe/ZL
- Fire resistance –
- Mortise standard Please see page 43

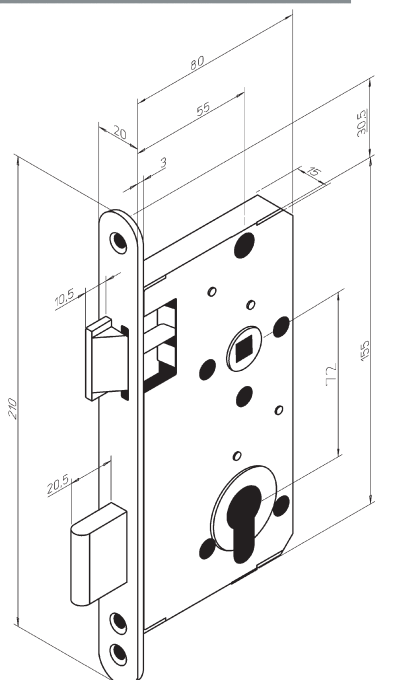


ABLOY® 4252

Symmetric interior door lock for DIN eurocylinder.
 The handing of the lock can easily be changed by turning the latch 180°.
 The latch is controlled by lever handles or a cylinder and the deadbolt by the cylinder.
 The deadbolt is protruding 20 mm.



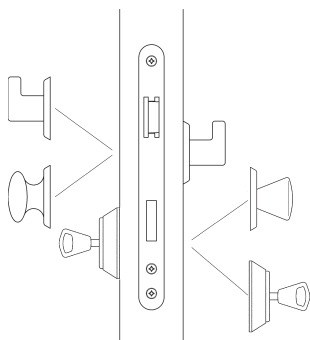
- Striker plate 0029, 4667, 4669
- Finish Fe/JME, Fe/ZL
- Cylinder Euro DIN
- Fire resistance –
- Mortise standard Please see page 43



ABLOY® 4262

Symmetric fire door lock for DIN eurocylinder.
The handing of the lock can easily be changed by turning the latch 180°.

The latch is controlled by lever handles or a cylinder and the deadbolt by the cylinder.
The deadbolt is protruding 20 mm.



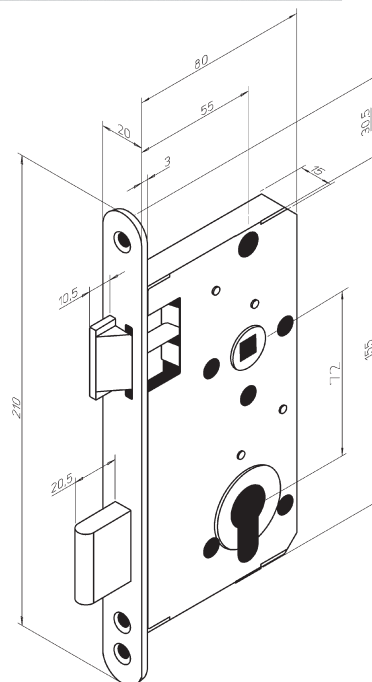
Striker plate 0029, 4667, 4669

Finish Fe/JME, Fe/ZL

Cylinder Euro DIN

Fire resistance Yes

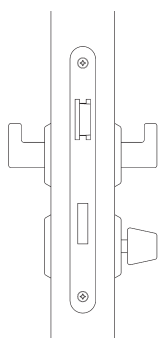
Mortise standard Please see page 43



ABLOY® 4271

Symmetric lock for toilet doors.
The handing of the lock can easily be changed by turning the latch 180°.

The latch is controlled by lever handles and the deadbolt by a toilet thumbturn (6 mm spindle).
The deadbolt is protruding 10 mm.

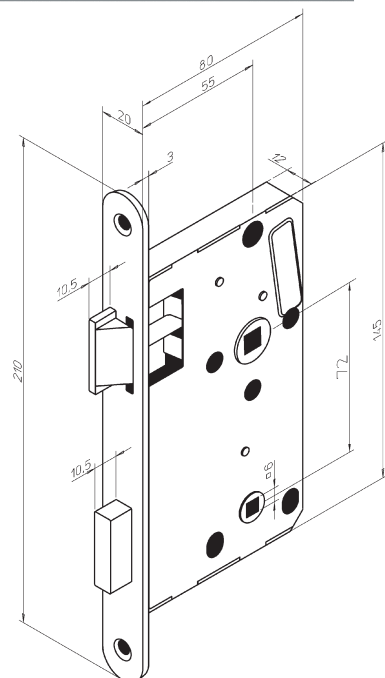


Striker plate 0029, 4667, 4669

Finish Fe/JME, Fe/ZL

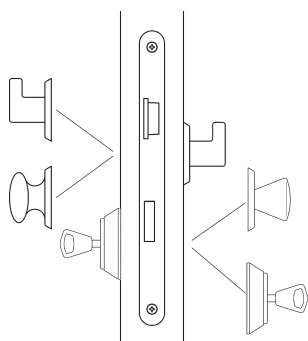
Fire resistance -

Mortise standard Please see page 43



ABLOY® 4282

DIN eurocylinder lock for fire doors.
Dimensions comply with the DIN 18251 standard.
The latch is controlled by lever handles or a cylinder and the deadbolt by the cylinder. The deadbolt is protruding 20 mm. The lock can be used with DIN escutcheons and long plates.



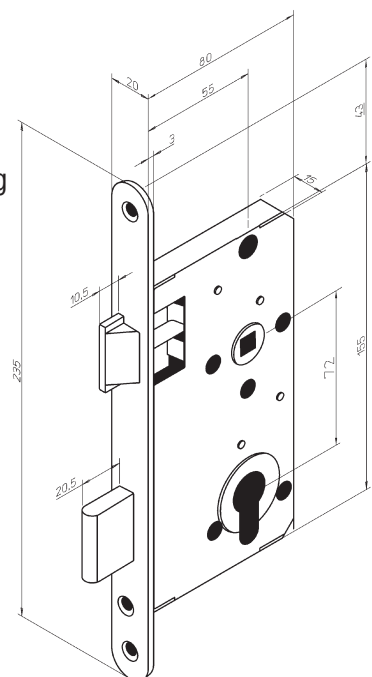
Striker plate 0029, 4667, 4669

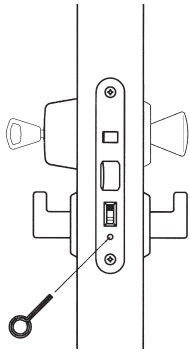
Finish Fe/JME, Fe/ZL

Cylinder Euro DIN

Fire resistance Yes

Mortise standard Please see page 43





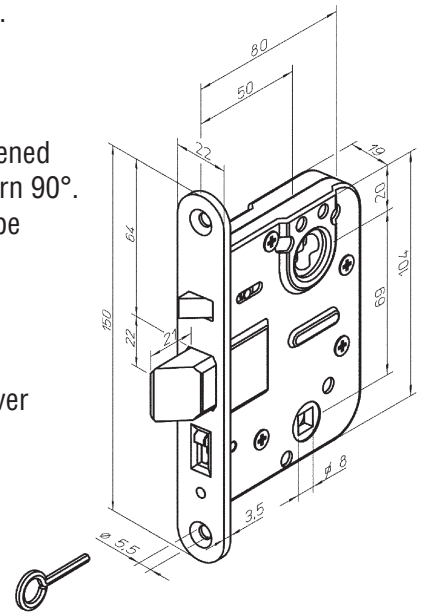
Lock case with an automatically deadlocking latchbolt. The lock must always be equipped with handles, as the latchbolt is retracted with the handles only. The deadlocking is controlled by a snib in the forend. When the snib is in deadlocking mode, the door is opened by turning the outside key 180° or the inside thumbturn 90°. The handles are then activated, and the latchbolt can be retracted.

Snib position:

UP = Deadlocking, latchbolt protrudes 21 mm. The lever handles are activated by the key or the thumbturn.

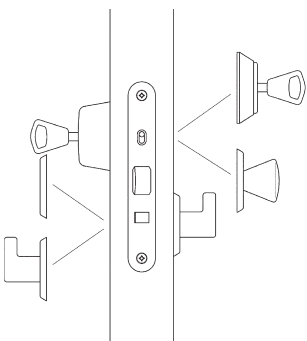
DOWN = Latchbolt protrudes 14 mm. The door is opened with the lever handles.

The lock case LC100 is fitted with a patented feature to prevent unauthorized use of the snib. The snib is locked to the deadlocking mode by turning a set screw, located below the snib, about two turns anticlockwise by a hexagonal key, until the screw stops and is opened by turning the screw clockwise. LC100X is the microswitch version of the lock. The switch changes its status when the bolt has protruded to 21 mm. Following striker plates are recommended to be used with a microswitch locking box: 4692, 4693.



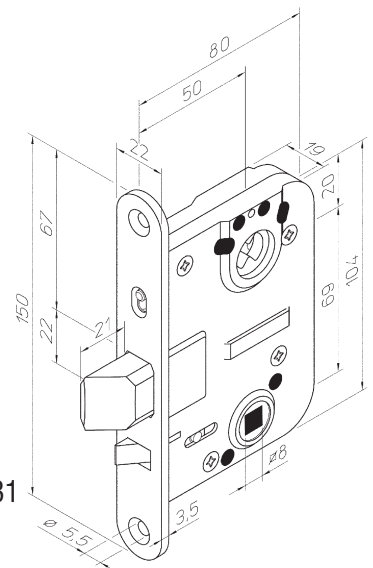
- Striker plate 4690, 4691, LP711, LP714, LP721, LP731
- Finish Fe/ZL
- Cylinder ABLOY® C, D, N
- Fire resistance Yes
- Mortise standard SFS 5209
Please see page 44

ABLOY® 4190

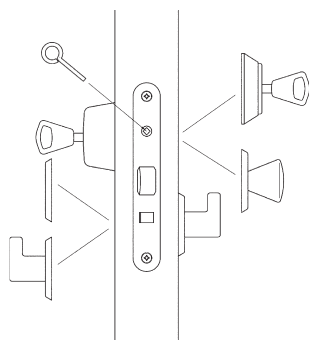


Lock case with an automatically deadlocking latchbolt. The deadlocking is controlled by a snib in the forend. Snib position: UP = Deadlocking, latchbolt protrudes 21 mm. The lock can be opened only with a key or a thumbturn. DOWN = Latchbolt protrudes 14 mm. The lock can also be opened with the lever handles. 4190X is the microswitch version of the lock. The switch changes its status when the latchbolt leaves its day locking position, i.e. the bolt protrudes 15 mm or more. Following striker plates are recommended to be used with a microswitch locking box: 4692, 4693.

- Striker plate 4690, 4691, LP711, LP714, LP721, LP731
- Finish Fe/ZL, Fe/YECRLQ
- Cylinder ABLOY® C, D, N
- Fire resistance Yes
- Mortise standard SFS 5209
Please see page 44



ABLOY® 4190T



Lock case with an automatically deadlocking latchbolt. The deadlocking function is controlled with a rotating snib, operated by a square key, in the forend.

Snib function:

TURN CLOCKWISE = Deadlocking, latchbolt protrudes 21 mm.

The lock can be opened only with a key or a thumbturn.

TURN ANTICLOCKWISE = Latchbolt protrudes 14 mm.

The lock can also be opened with the lever handles.

4190TX is the microswitch version of the lock. The switch changes its status when the latchbolt leaves its day locking position, i.e. the bolt protrudes 15 mm or more.

Following striker plates are recommended to be used with a microswitch locking box: 4692, 4693.

Striker plate 4690, 4691, LP711, LP714, LP721, LP731

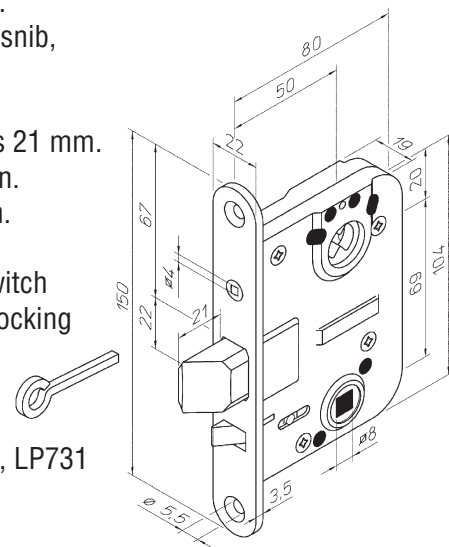
Finish Fe/ZL

Cylinder ABLOY® C, D, N

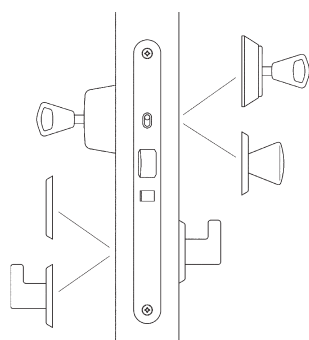
Fire resistance Yes

Mortise standard SFS 5209

Please see page 44



ABLOY® LC204



Lock case with an automatically deadlocking latchbolt. The deadlocking is controlled by a snib in the forend.

Snib position:

UP = Deadlocking, latchbolt protrudes 20 mm. The lock can be opened only with a key or a thumbturn.

DOWN = Latchbolt protrudes 14 mm. The lock can also be opened with the lever handles.

LC204X is the microswitch version of the lock. The switch changes its status when the latchbolt leaves its day locking position, i.e. the bolt protrudes 15 mm or more.

Following striker plates are recommended to be used with a microswitch locking box: 4692, 4693.

Striker plate 4690, 4691, LP711, LP714, LP721, LP731

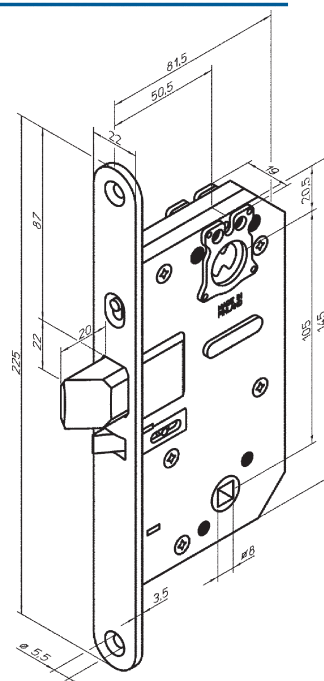
Finish Fe/ZL, Fe/YECRLQ

Cylinder ABLOY® C, D, N

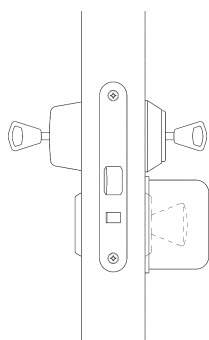
Fire resistance Yes

Mortise standard SFS 5208, SS 81 73 83

Please see page 44



ABLOY® 4193



Lock case for emergency exits. The latchbolt deadlocks automatically when the door is closed, protruding 21 mm.

The lock case is suitable for use with a double cylinder and an emergency exit thumbturn. The bolt is opened with either the key or the emergency thumbturn.

4193X is the microswitch version of the lock. The switch changes its status when the bolt has protruded to 15 mm or more. Following striker plates are recommended to be used with a microswitch locking box: 4692, 4693.

Striker plate 4690, 4691, LP711, LP714, LP721, LP731

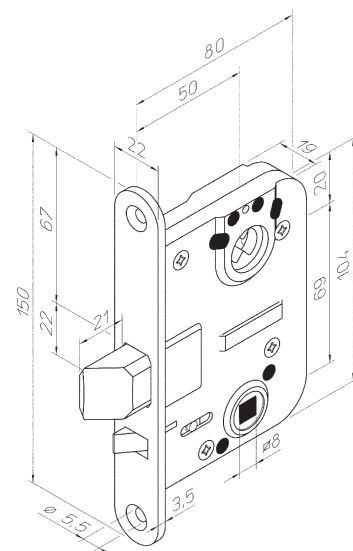
Finish Fe/ZL

Cylinder ABLOY® C, D, N

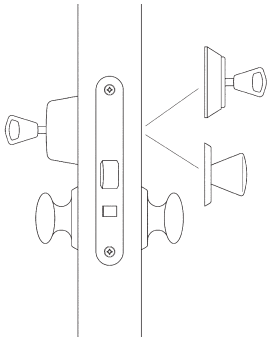
Fire resistance Yes

Mortise standard SFS 5209

Please see page 44



ABLOY® 4194

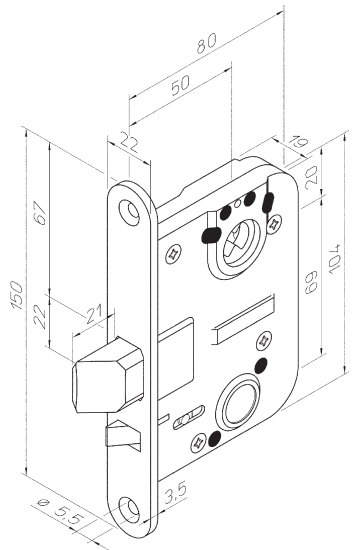


Lock case with an automatically deadlocking latchbolt. The latchbolt protrudes to 21 mm when the door is closed. The lock has no lever handle operation. The bolt is opened with either a key or a thumbturn.

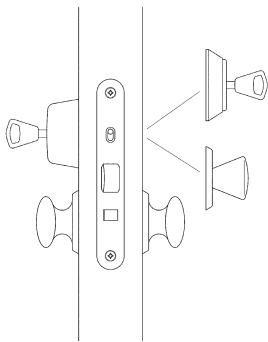
4194X is the microswitch version of the lock. The switch changes its status when the bolt has protruded to 15 mm or more.

Following striker plates are recommended to be used with a microswitch locking box: 4692, 4693.

Striker plate 4690, 4691, LP711, LP714, LP721, LP731
 Finish Fe/ZL
 Cylinder ABLOY® C, D, N
 Fire resistance Yes
 Mortise standard SFS 5209
 Please see page 44



ABLOY® 4195



Lock case with an automatically deadlocking latchbolt. The latchbolt can be retained inside the lock case. Deadlocking is controlled by a snib in the front plate. The lock has no lever handle operation.

Snib position:

UP = Deadlocking, latchbolt protrudes 21 mm. The lock can be opened only with a key or a thumbturn.

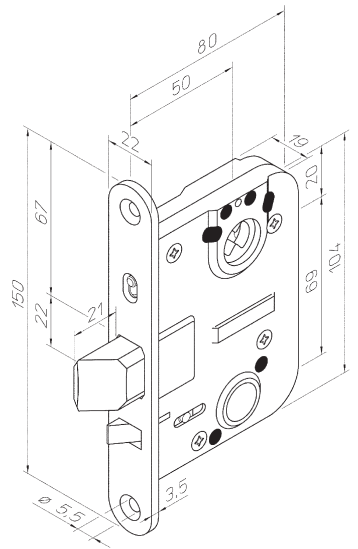
DOWN = Latchbolt is retained inside the lock case.

The door is kept closed by using a door closer.

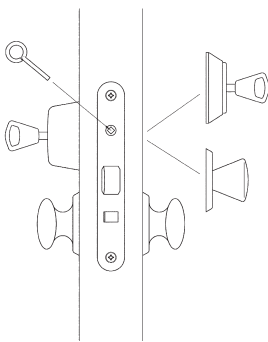
4195X is the microswitch version of the lock. The switch changes its status when the latchbolt leaves its day locking position, i.e. the bolt protrudes 15 mm or more.

Following striker plates are recommended to be used with a microswitch locking box: 4692, 4693.

Striker plate 4690, 4691, LP711, LP714, LP721, LP731
 Finish Fe/ZL, Fe/YECRLQ
 Cylinder ABLOY® C, D, N
 Fire resistance –
 Mortise standard SFS 5209 Please see page 44



ABLOY® 4195T



Lock case with an automatically deadlocking latchbolt. The latchbolt can be retained inside the lock case and deadlocking is controlled with a rotating snib, operated by a square key, in the forend. The lock has no lever handle function.

Snib function:

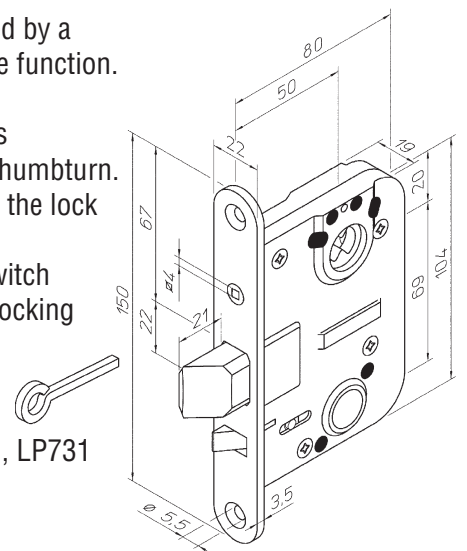
TURN CLOCKWISE = Deadlocking, latchbolt protrudes 21 mm. The lock can be opened only with a key or a thumbturn.

TURN ANTICLOCKWISE = Latchbolt is retained inside the lock case. The door is kept closed by using a door closer.

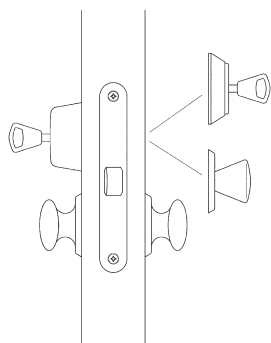
4195TX is the microswitch version of the lock. The switch changes its status when the latchbolt leaves its day locking position, i.e. the bolt protrudes 15 mm or more.

Following striker plates are recommended to be used with a microswitch locking box: 4692, 4693.

Striker plate 4690, 4691, LP711, LP714, LP721, LP731
 Finish Fe/ZL
 Cylinder ABLOY® C, D, N
 Fire resistance –
 Mortise standard SFS 5209
 Please see page 44



ABLOY® 4197



Lock case with a cylinder function for fire doors. The lock is opened by a key or a thumbturn. The non-deadlocking latchbolt protrudes 14 mm. The lock can also be used with electromechanical striker plates. Following striker plates are recommended to be used with a microswitch locking box: 4692, 4693

Striker plate 4690, 4691, LP711, LP714, LP721, LP731

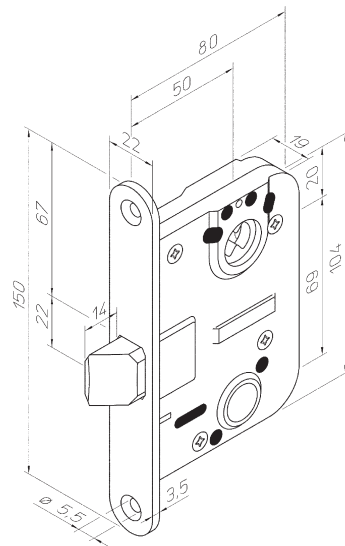
Finish Fe/ZL

Cylinder ABLOY® C, D, N

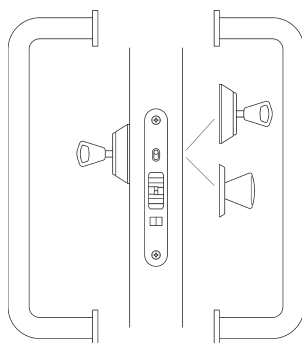
Fire resistance Yes

Mortise standard SFS 5209

Please see page 44



ABLOY® 4960



Lock case with an automatically deadlocking hookbolt for folding and sliding doors. The deadlocking is controlled by a snib in the forend.

Snib position:

UP = Deadlocking, when the door is closed.

The lock can be opened with a key or a thumbturn.

DOWN = Hookbolt is retained inside the lock case.

Striker plate 4662

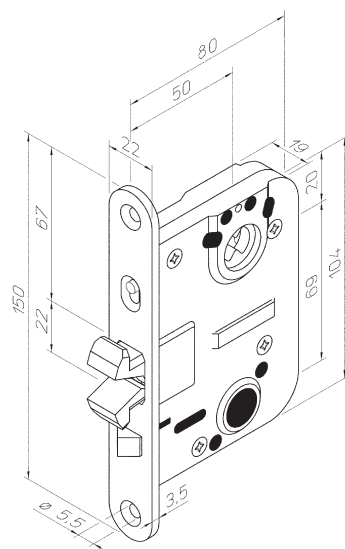
Finish Fe/ZL

Cylinder ABLOY® C, D, N

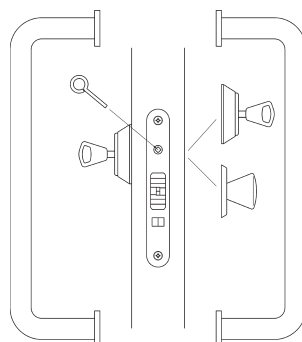
Fire resistance –

Mortise standard SFS 5209

Please see page 44



ABLOY® 4960T



Lock case with an automatically deadlocking hookbolt for folding and sliding doors. The deadlocking function is controlled with a rotating snib, operated by a square key, in the forend.

Snib function:

TURN CLOCKWISE

= Deadlocking, when the door is closed.

The lock can be opened with a key or a thumbturn.

TURN ANTICLOCKWISE

= Hookbolt is retained inside the lock case.

Striker plate 4662

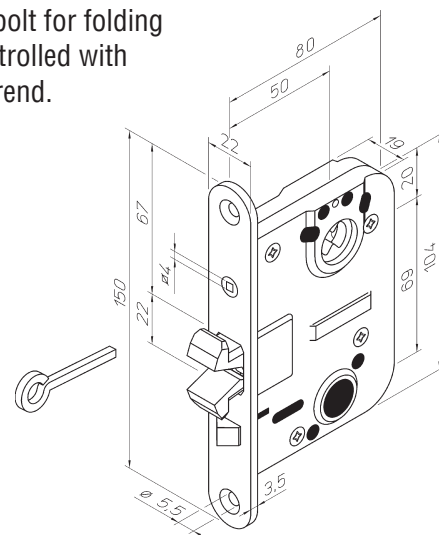
Finish Fe/ZL

Cylinder ABLOY® C, D, N

Fire resistance –

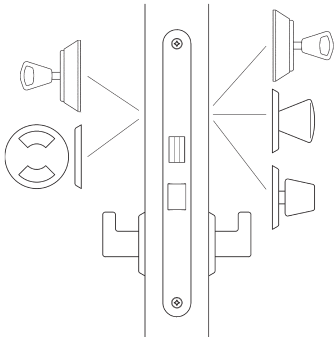
Mortise standard SFS 5209

Please see page 44

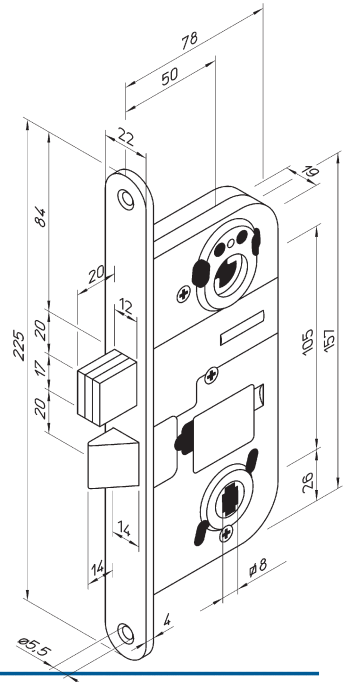


ABLOY® LC200

Lock case with a deadbolt protruding 20 mm and a latchbolt. The deadbolt is locked and retracted by turning the key or thumbturn 90°. A further 5° turn will retract the latchbolt as well. The latchbolt is retracted also by the lever handles. LC200X is the microswitch version of the lock. The switch changes it's status when the bolt has protruded to 20 mm.

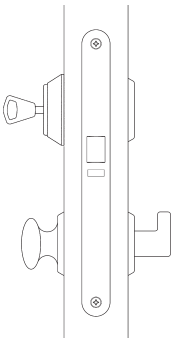


- Striker plate LP712, LP717, LP722, LP732, 0034, 0079
- Finish Fe/ZL
- Cylinder ABLOY® D, N, SCAND
- Fire resistance Yes
- Mortise standard SFS 5208
SS 81 73 83
Please see page 44

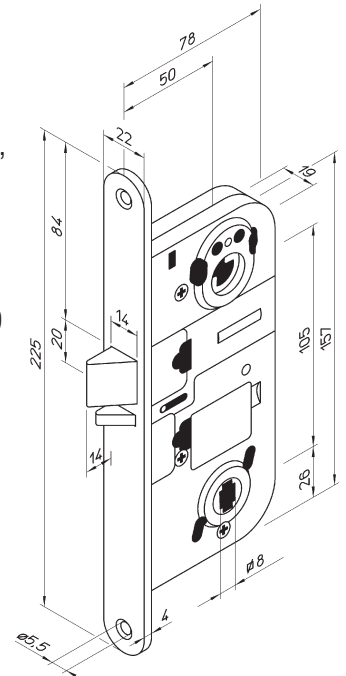


ABLOY® LC202

Lock case with an automatically deadlocking latchbolt and heavy duty springing. Latchbolt is retracted from the outside by turning the key 90°, or from the inside with the lever handle. LC202X is the microswitch version of the lock. The switch changes it's status when the latchbolt has deadlocked.

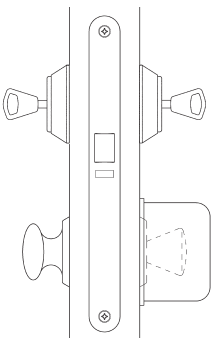


- Striker plate LP712, LP717, LP722, LP732, 0034, 0079
- Finish Fe/ZL
- Cylinder ABLOY® D, N, SCAND
- Fire resistance Yes
- Mortise standard SFS 5208
SS 81 73 83
Please see page 44

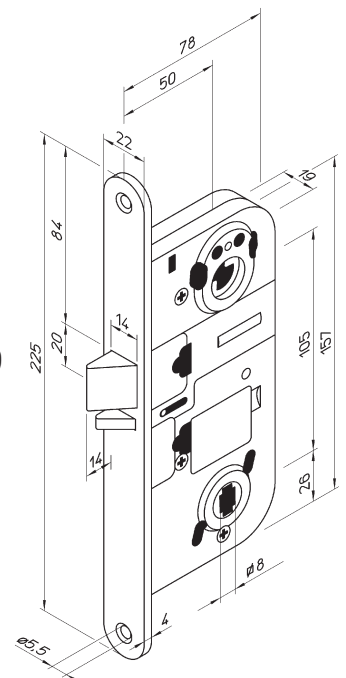


ABLOY® LC203

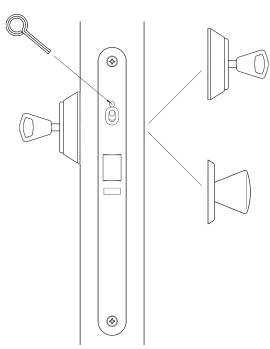
Lock case with an automatically deadlocking latchbolt for emergency exits. Latchbolt is retracted from the outside by turning the key 90°, or from the inside by the key or the emergency exit thumbturn. LC203X is the microswitch version of the lock. The switch changes it's status when the latchbolt has deadlocked.



- Striker plate LP712, LP717, LP722, LP732, 0034, 0079
- Finish Fe/ZL
- Cylinder ABLOY® D, N, SCAND
- Fire resistance Yes
- Mortise standard SFS 5208
SS 81 73 83
Please see page 44



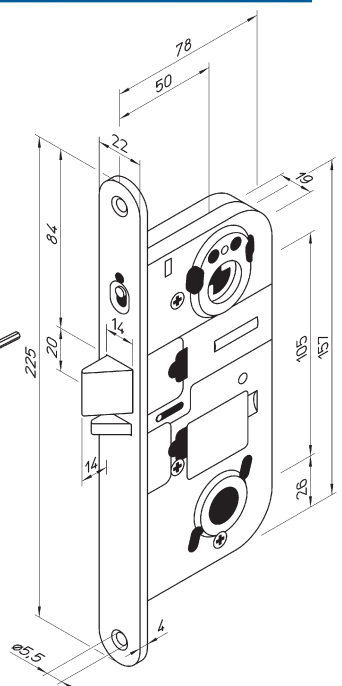
ABLOY® LC205



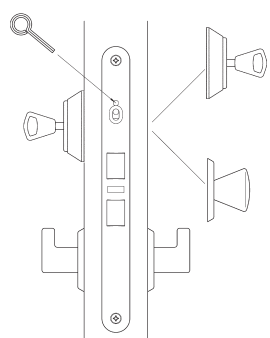
Lock case with an automatically deadlocking latchbolt. The latchbolt can be retained inside the lock case by sliding down the snib in the forend. The snib can be blocked in up or down position with a special key to prevent unauthorized usage. Latchbolt is retracted from either side by turning the key or thumbturn 90°.

The lock has no lever handle function. The door should be equipped with a door closer and door pull. LC205X is the microswitch version of the lock. The switch changes it's status when the latchbolt has deadlocked.

- Striker plate LP712, LP717, LP722, LP732, 0034, 0079
- Finish Fe/ZL
- Cylinder ABLOY® D, N, SCAND
- Fire resistance -
- Mortise standard SFS 5208
SS 81 73 83
Please see page 44



ABLOY® LC206

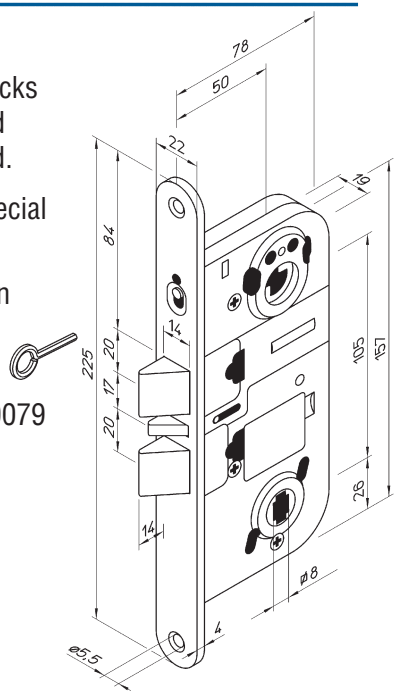


Lock case with two latchbolts. The upper latchbolt deadlocks automatically when the door is closed and can be retained inside the lock case by sliding down the snib in the forend.

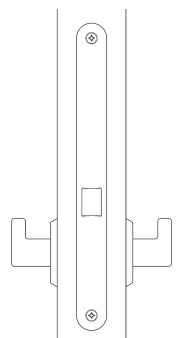
The snib can be blocked in up or down position with a special key to prevent unauthorized usage.

The latchbolts are opened by turning the key or thumbturn 90°. The lower latchbolt can also be opened by the lever handles.

- Striker plate LP712, LP717, LP722, LP732, 0034, 0079
- Finish Fe/ZL
- Cylinder ABLOY® D, N, SCAND
- Fire resistance Yes
- Mortise standard SFS 5208
SS 81 73 83
Please see page 44

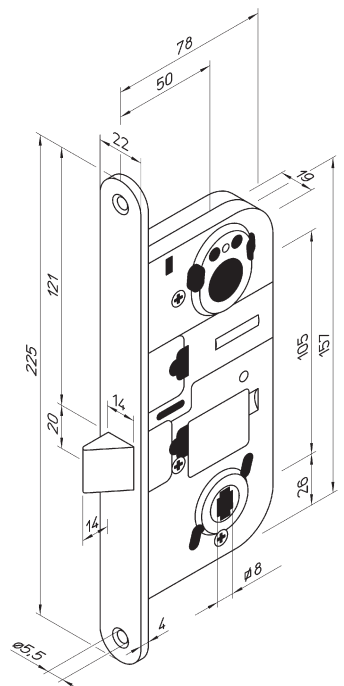


ABLOY® LC208

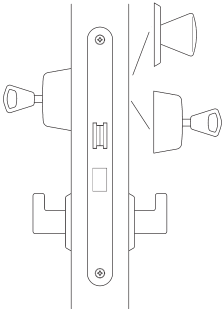


Mortise latch with lever handle function only.

- Striker plate LP712, LP717, LP722, LP732, 0034, 0079
- Finish Fe/ZL
- Fire resistance Yes
- Mortise standard SFS 5208
SS 81 73 83
Please see page 44



ABLOY® LC209



Security mortise lock (comparable with security grade 4 according to EN 12209) with a hardened bolt. The deadbolt has 20 mm bolt throw. The deadbolt is locked and retracted by turning the key 360° or a special thumbturn 180°.

The key can only be removed when the deadbolt is fully locked or retracted.

The latchbolt is retracted by the lever handles only.

LC209X is the microswitch version of the lock. The switch changes its status when deadbolt protrudes moves to 20 mm.

Striker plate LP710, LP712, LP717, LP722, LP732, 0079

Finish Fe/ZL, Fe/YECRLQ

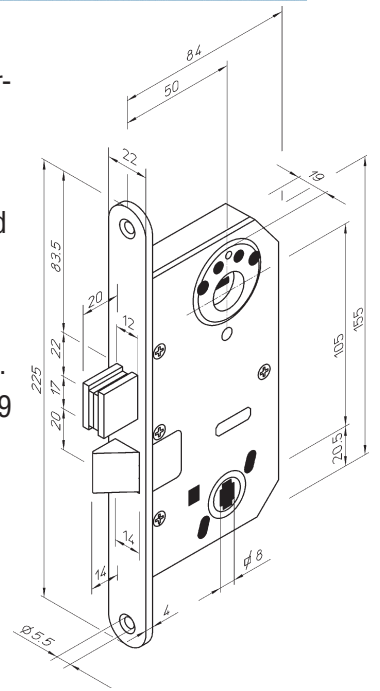
Cylinder ABLOY® C, D, N

Fire resistance Yes

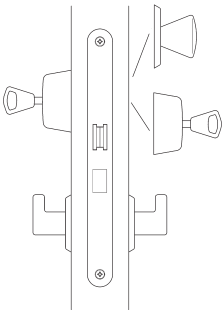
Mortise standard SFS 5208

SS 81 73 83

Please see page 44



ABLOY® LC209A



Security mortise lock (comparable with security grade 5 according to EN 12209) with a hardened bolt and drilling protection. The deadbolt has 20 mm bolt throw. The deadbolt is locked and retracted by turning the key 360° or a special thumbturn 180°.

The key can only be removed when the deadbolt is fully locked or retracted.

The latchbolt is retracted by the lever handles only.

LC209AX is the microswitch version of the lock. The switch changes its status when deadbolt moves to 20 mm.

Striker plate LP710, LP712, LP717, LP722, LP732, 0079

Finish Fe/ZL, Fe/YECRLQ

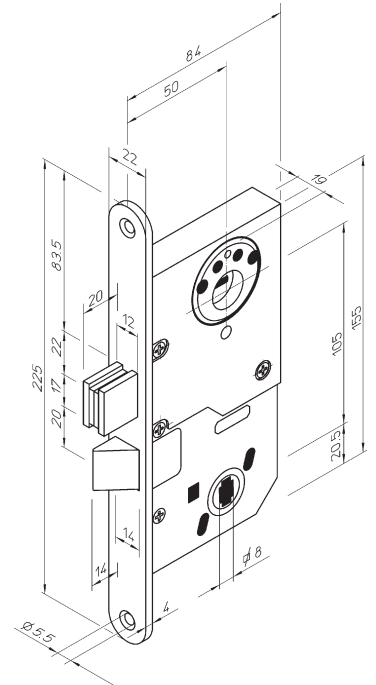
Cylinder ABLOY® C, D, N

Fire resistance Yes

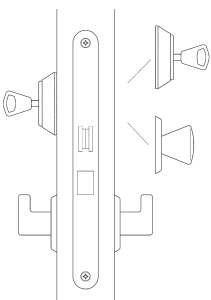
Mortise standard SFS 5208

SS 81 73 83

Please see page 44



ABLOY® LC210



Security mortise lock (comparable with security grade 5 according to EN 12209) with a hardened bolt and drilling protection. The deadbolt has 20 mm bolt throw. The deadbolt is locked and retracted by turning the key 360° or thumbturn 90°.

The key can only be removed when the deadbolt is fully locked or retracted.

The latchbolt is retracted by the lever handles only.

LC210X is the microswitch version of the lock. The switch changes its status when deadbolt protrudes moves to 20 mm.

Striker plate LP710, LP712, LP717, LP722, LP732, 0079

Finish Fe/ZL, Fe/YECRLQ

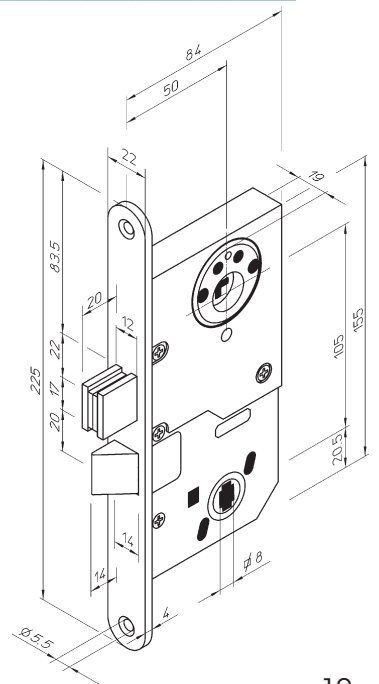
Cylinder ABLOY® D, N

Fire resistance Yes

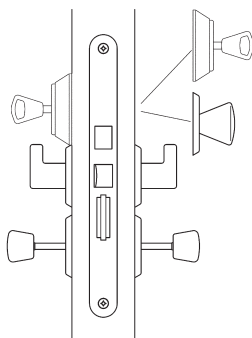
Mortise standard SFS 5208

SS 81 73 83

Please see page 44



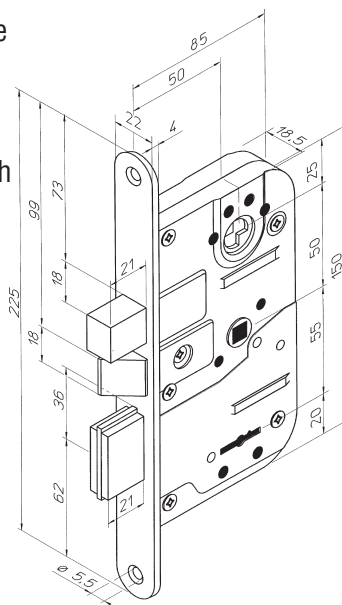
ABLOY® 451S



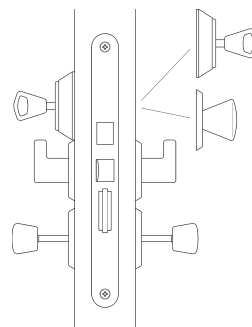
Security lock (grade 5 according to EN 12209) featuring two deadbolts and drilling protection. One is controlled by a double cylinder or a cylinder and a thumbturn combination. The other has an 8 lever mechanism giving over 100 000 different key combinations. The upper cylinder deadbolt protrudes 20 mm. The lower hardened deadbolt has also a 20 mm bolt throw with an intermediate locking position. The key can only be withdrawn when the deadbolt is fully locked or retracted. Centre latch enables the opening and closing of door by using lever handles.

451SX is the microswitch version of the lock. The switch changes it's status during the last ¼ turn of the key for lever mechanism to the locking direction.

Striker plate	LP710, 0079
Finish	Fe/ZL, Fe/JME
Cylinder	ABLOY® D, N, SCAND
Fire resistance	Yes
Mortise standard	Please see page 45



ABLOY® 451SMP



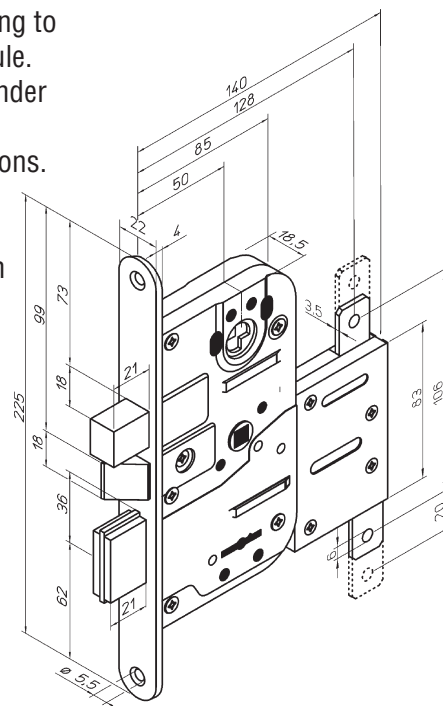
Security lock (comparable with security grade 4 according to EN 12209) featuring two deadbolts and multipoint module. One deadbolt is controlled by a double cylinder or a cylinder and a thumbturn combination. The other has an 8 lever mechanism giving over 100 000 different key combinations. The upper cylinder deadbolt protrudes 20 mm. The lower hardened deadbolt has also a 20 mm bolt throw with an intermediate locking position. The key can only be withdrawn when the deadbolt is fully locked or retracted. Centre latch enables the opening and closing of door by using lever handles.

Multipoint module provides several multipoint locking applications, please see page 57.

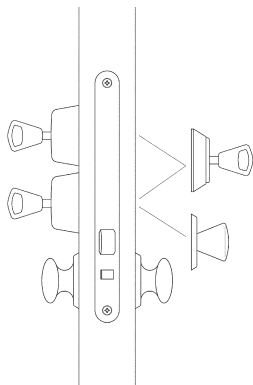
451SMPX is the microswitch version of the lock.

The switch changes it's status during the last ¼ turn of the key for lever mechanism to the locking direction.

Striker plate	LP710, 0079
Finish	Fe/ZL, Fe/JME
Cylinder	ABLOY® D, N, SCAND
Fire resistance	Yes
Mortise standard	Please see page 45



ABLOY® LC120



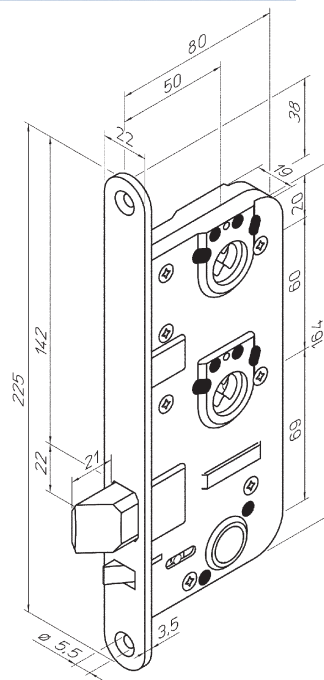
Double cylinder lock case with an automatically deadlocking latchbolt. The latchbolt protrudes 21 mm. The lock is opened with a key or a thumbturn.

The lock can be used in doors, which should be deadlocked always when they are closed.

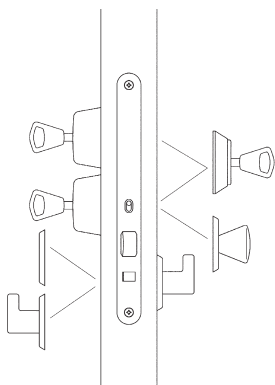
LC120X is the microswitch version of the lock. The switch changes it's status when the latchbolt protrudes 15 mm or more.

Striker plates to be used with a microswitch locking box: 4692, 4693.

Striker plate	4690, 4691, LP711, LP714, LP721, LP731
Finish	Fe/ZL
Cylinder	ABLOY® C, D, N
Fire resistance	Yes
Mortise standard	Please see page 46



ABLOY® LC121



Double cylinder lock case with an automatically deadlocking latchbolt. The deadlocking is controlled by a snib in the front plate.

Snib position:

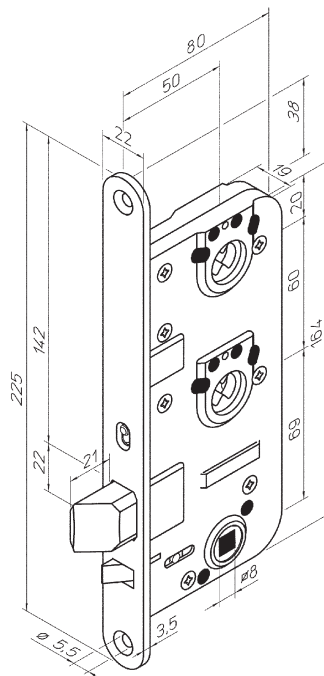
UP = Deadlocking, latchbolt protrudes 21 mm. The lock can be opened only with a key or a thumbturn.

DOWN = Latchbolt protrudes 14 mm.

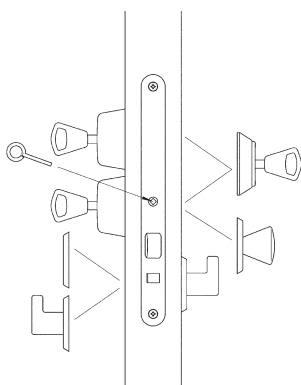
The lock can be opened also with lever handles.

LC121X is the microswitch version of the lock. The switch changes it's status when the latchbolt leaves its day locking position, i.e. the bolt protrudes 15 mm or more. Striker plates to be used with a microswitch locking box: 4692, 4693.

Striker plate	4690, 4691, LP711, LP714, LP721, LP731
Finish	Fe/ZL
Cylinder	ABLOY® C, D, N
Fire resistance	Yes
Mortise standard	Please see page 46



ABLOY® LC121T



Double cylinder lock case with an automatically deadlocking latchbolt. The deadlocking function is controlled with a rotating snib, operated by a square key, in the forend.

Snib function:

TURN CLOCKWISE = Deadlocking, latchbolt protrudes 21 mm.

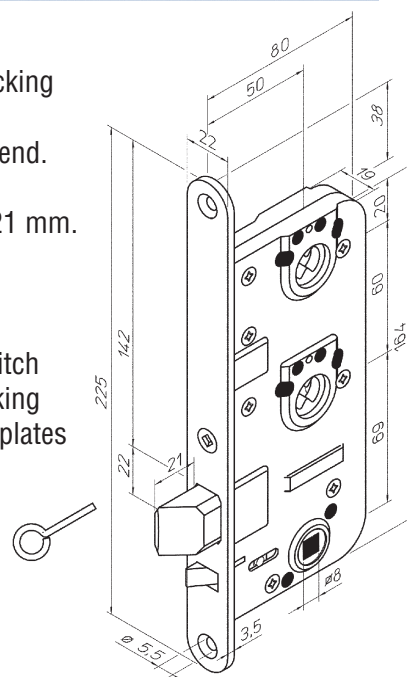
The lock can be opened only with a key or thumbturn.

TURN ANTICLOCKWISE = Latchbolt protrudes 14 mm.

The lock can be opened with a lever handle also.

LC121TX is the microswitch version of the lock. The switch changes it's status when the latchbolt leaves its day locking position, i.e. the bolt protrudes 15 mm or more. Striker plates to be used with a microswitch locking box: 4692, 4693.

Striker plate	4690, 4691, LP711, LP714, LP721, LP731
Finish	Fe/ZL
Cylinder	ABLOY® C, D, N
Fire resistance	Yes
Mortise standard	Please see page 46



ABLOY® LC122

Double cylinder lock case with an automatically deadlocking hookbolt for folding and sliding doors. The deadlocking is controlled by the snib in the forend.

Snib position:

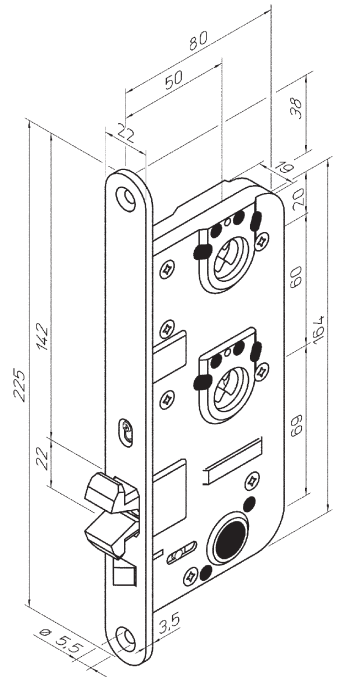
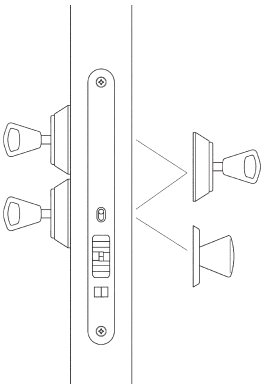
UP = Deadlocking, when the door is closed. The lock can be opened with a key or thumbturn.

DOWN = Hookbolt is retained in the lock case.

Striker plate 4662
 Finish Fe/ZL
 Cylinder ABLOY® C, D, N

Fire resistance –

Mortise standard Please see page 46



ABLOY® LC123

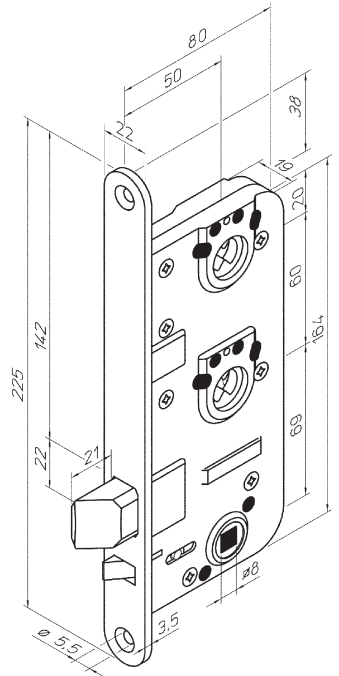
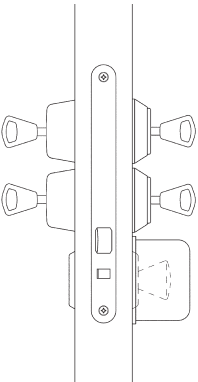
Double cylinder lock case with an automatically deadlocking latchbolt for emergency exit doors. Latchbolt protrudes 21 mm. The lock case has a double cylinder and an exit thumbturn. The lock can be opened with a key or an exit thumbturn. LC123X is the microswitch version of the lock. The switch changes it's status when the latchbolt protrudes 15 mm or more.

Striker plates to be used with a microswitch locking box: 4692, 4693.

Striker plate 4690, 4691, LP711, LP714, LP721, PL731
 Finish Fe/ZL
 Cylinder ABLOY® C, D, N

Fire resistance Yes

Mortise standard Please see page 46



ABLOY® LC125

Double cylinder lock case with an automatically deadlocking latchbolt. The latchbolt can be retained inside the lock case. The lock has no lever handle function.

The deadlocking is controlled by a snib in the forend.

Snib position:

UP = Deadlocking, latchbolt protrudes 21 mm. The lock can be opened with a key or thumbturn.

DOWN = Latchbolt is retained inside the lock case.

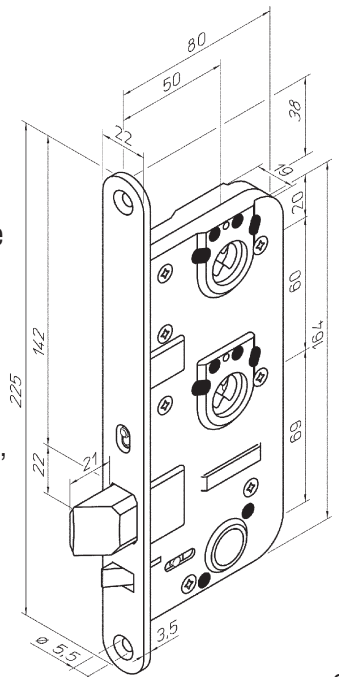
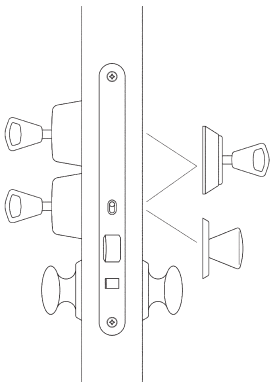
LC125X is the microswitch version of the lock. The switch changes it's status when the latchbolt protrudes 15 mm or more.

Striker plates to be used with a microswitch locking box: 4692, 4693.

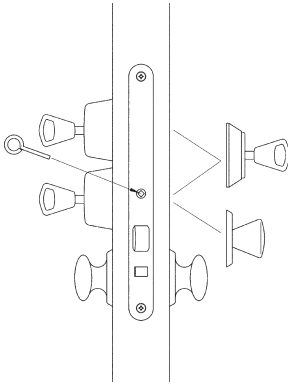
Striker plate 4690, 4691, LP711, LP714, LP721, LP731
 Finish Fe/ZL
 Cylinder ABLOY® C, D, N

Fire resistance –

Mortise standard Please see page 46



ABLOY® LC125T



Double cylinder lock case with an automatic deadlocking latchbolt. The latchbolt can be retained inside the lock case. The deadlocking function is controlled with a rotating snib, operated by a square key, in the forend.

Snib function:

TURN CLOCKWISE = Deadlocking, latchbolt protrudes 21 mm. The lock can be opened only with a key or thumbturn.

TURN ANTICLOCKWISE = Latchbolt is retained inside the lock case.

LC125TX is the microswitch version of the lock. The switch changes it's status when the latchbolt leaves its day locking position, i.e. the bolt protrudes 15 mm or more. Striker plates to be used with a microswitch locking box: 4692, 4693.

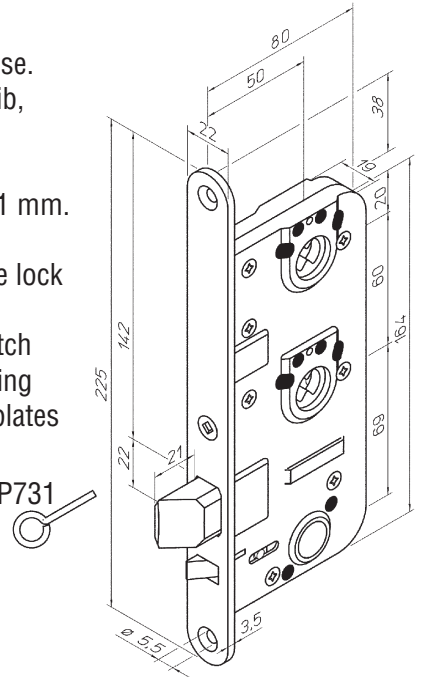
Striker plate 4690, 4691, LP711, LP714, LP721, LP731

Finish Fe/ZL

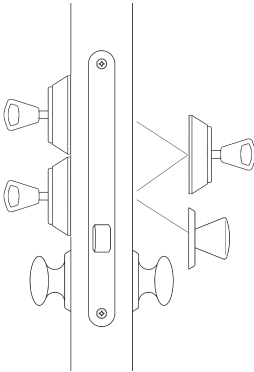
Cylinder ABLOY® C, D, N

Fire resistance -

Mortise standard Please see page 46



ABLOY® LC127



Double cylinder lock case for fire doors. The lock has a cylinder function only and is opened with a key or thumbturn. The latchbolt protrudes 14 mm. The lock can be used with electromechanical striker plate also. Striker plates to be used with a microswitch locking box: 4692, 4693.

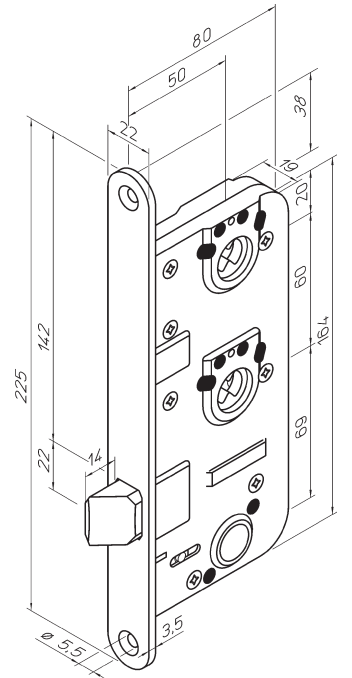
Striker plate 4690, 4691, LP711, LP714, LP721, LP731

Finish Fe/ZL

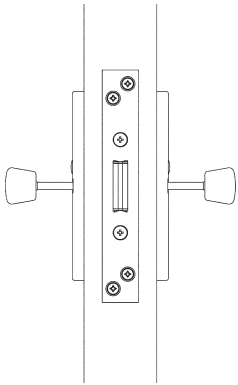
Cylinder ABLOY® C, D, N

Fire resistance Yes

Mortise standard Please see page 46



ABLOY® SL900



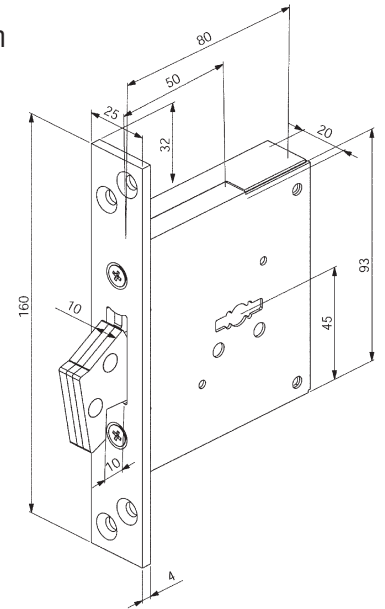
Security lock (security grade 7 according to EN 12209) with more than 1 000 000 key combinations.
 The lock is equipped with a picking protection and a hardened hook bolt, which is locked by turning the key 360°. The key can only be removed when the deadbolt is fully locked or retracted.
 The deadbolt protrudes 23 mm.
 SL900X is the microswitch version of the lock.
 The switch changes its status when the bolt is fully protruded.

Striker plate LP775, LP776

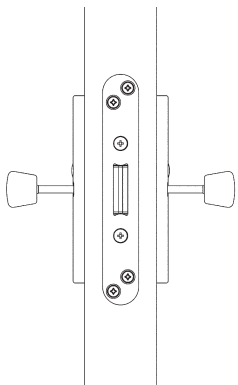
Finish Fe/ZL

Fire resistance –

Mortise standard Please see page 46



ABLOY® SL901



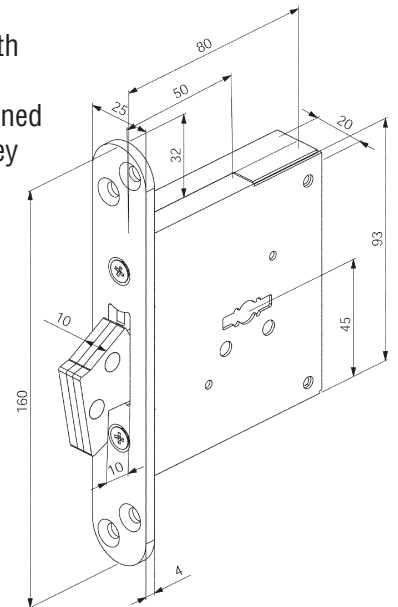
Security lock (security grade 7 according to EN 12209) with more than 1 000 000 key combinations.
 The lock is equipped with a picking protection and a hardened hook bolt, which is locked by turning the key 360°. The key can only be removed when the deadbolt is fully locked or retracted.
 The deadbolt protrudes 23 mm.
 SL901X is the microswitch version of the lock.
 The switch changes the status when the bolt is fully protruded.

Striker plate LP777, LP778

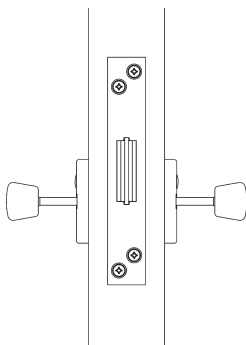
Finish Fe/ZL

Fire resistance –

Mortise standard Please see page 46



ABLOY® SL905



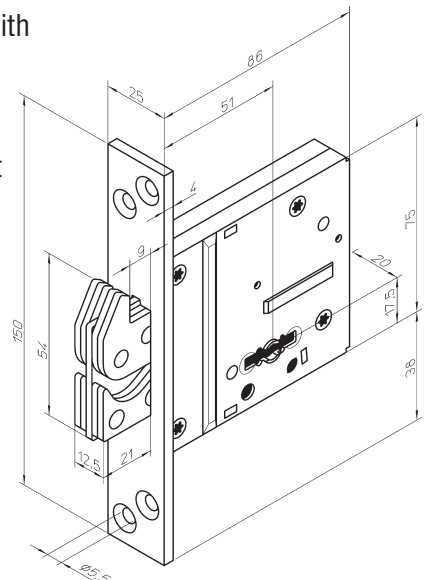
Security lock (security grade 7 according to EN 12209) with more than 1 000 000 key combinations.
 The lock is equipped with a hardened hook bolt, which is locked by turning the key 360°. The patented key can only be removed when the deadbolt is fully locked or retracted.
 The hookbolt protrudes 20 mm.
 The lock can be easily installed into the same mortise as ABLOY® 428 security lock.
 SL905X is the microswitch version of the lock.
 The switch changes the status during the last ¼ turn of the key to the locking direction.

Striker plate LP780, LP81

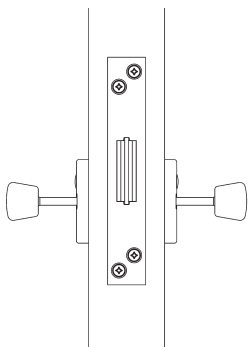
Finish Fe/ZL

Fire resistance –

Mortise standard Please see page 47



ABLOY® SL905MP



Security lock (security grade 7 according to EN 12209) with more than 1 000 000 key combinations with multipoint module.

The lock is equipped with a hardened hook bolt, which is locked by turning the key 360°.

The patented key can only be removed when the deadbolt is fully locked or retracted.

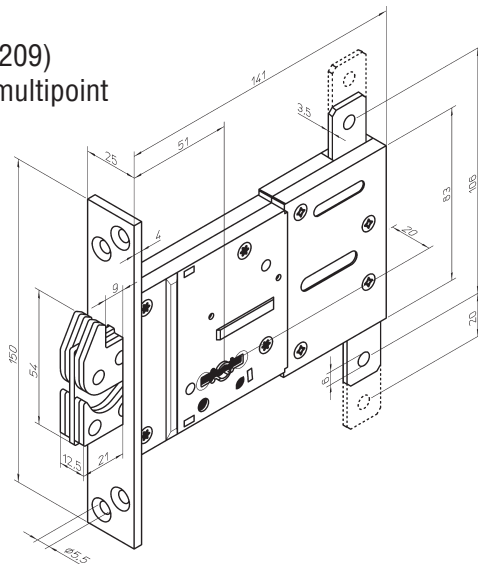
The hookbolt protrudes 20 mm.

Multipoint module provides several multipoint locking applications, please see page 57.

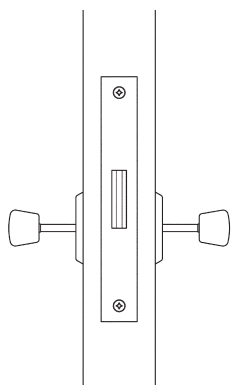
SL905MPX is the microswitch version of the lock.

The switch changes the status during the last ¼ turn of the key to the locking direction.

Striker plate	LP780, LP81
Finish	Fe/ZL
Fire resistance	–
Mortise standard	Please see page 47



ABLOY® 428



Security lock (comparable with security grade 4 according to EN 12209) with more than 100 000 different key combinations. The key can only be removed when the deadbolt is fully locked or retracted.

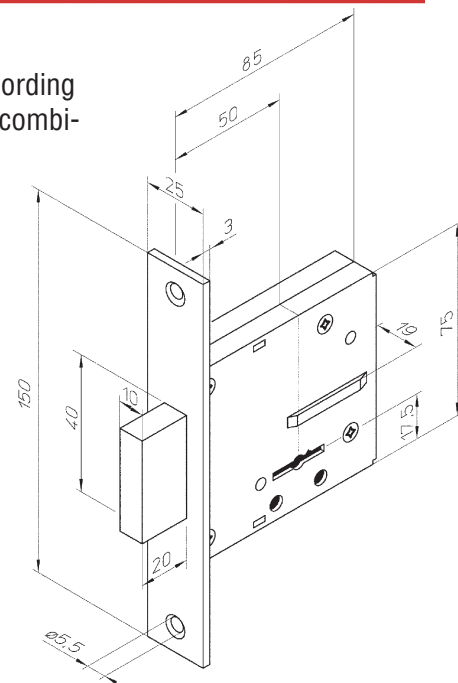
The deadbolt protrudes 20 mm.

The lock is able to be keyed alike with 2928 lock.

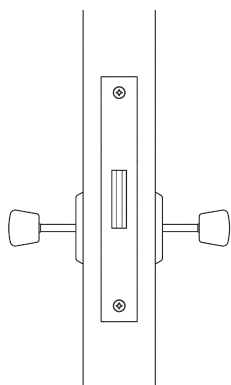
428X is the microswitch version of the lock.

The switch changes the status during the last ¼ turn of the key to the locking direction.

Striker plate	0036, 0065
Finish	Fe/ZL
Fire resistance	–
Mortise standard	Please see page 47



ABLOY® 428MP



Security lock (comparable with security grade 4 according to EN 12209) with more than 100 000 different key combinations combined with multipoint module. The key can only be removed when the deadbolt is fully locked or retracted.

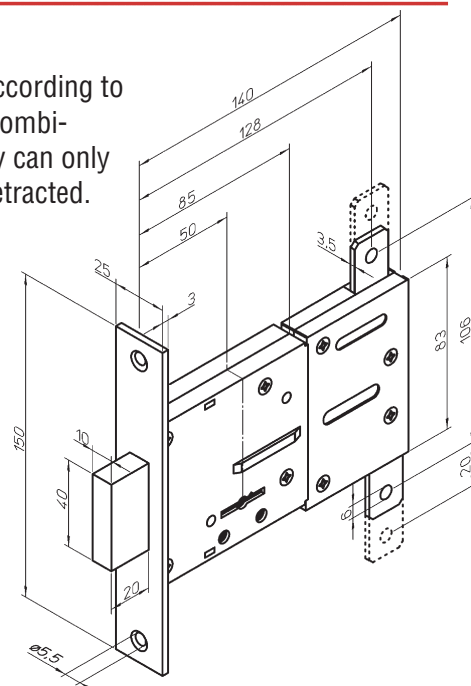
The deadbolt protrudes 20 mm.

Multipoint modul provides several multipoint locking applications, please see page 57.

428MPX is the microswitch version of the lock.

The switch changes the status during the last ¼ turn of the key to the locking direction.

Striker plate	0036, 0065
Finish	Fe/ZL
Fire resistance	–
Mortise standard	Please see page 47



ABLOY® 2928

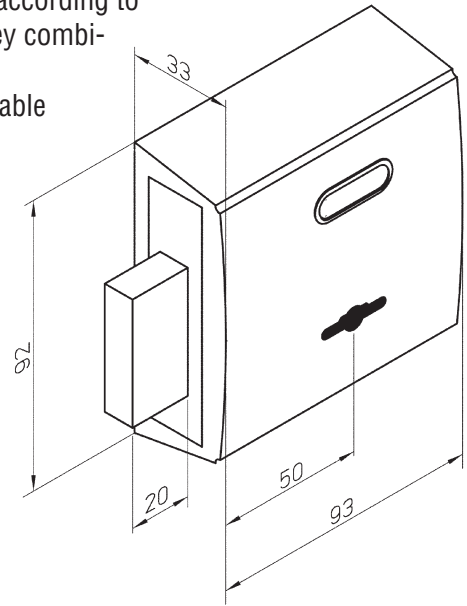
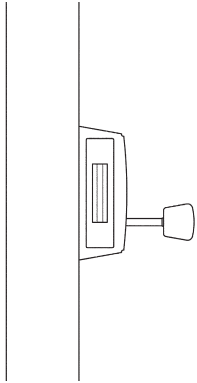
Security lock (comparable with security grade 4 according to EN 12209) for homes with more than 100 000 key combinations.

The lock is surface mounted and particularly suitable for doors unable to use a standard mortise lock.

The key can only be removed when the deadbolt is fully locked or retracted.

The deadbolt protrudes 20 mm.

The lock is able to be keyed alike with 428 lock.



Striker plate 0036

Finish PA/BLACK
PA/WHITE

Fire resistance –

Mortise standard –

ABLOY® 4181

Security lock case (comparable with security grade 5 according to EN 12209) with hardened bolt and drilling protection. The key can only be removed when the deadbolt is fully locked or retracted.

4181X is the microswitch version of the lock. The switch changes its status when deadbolt moves to 20 mm.

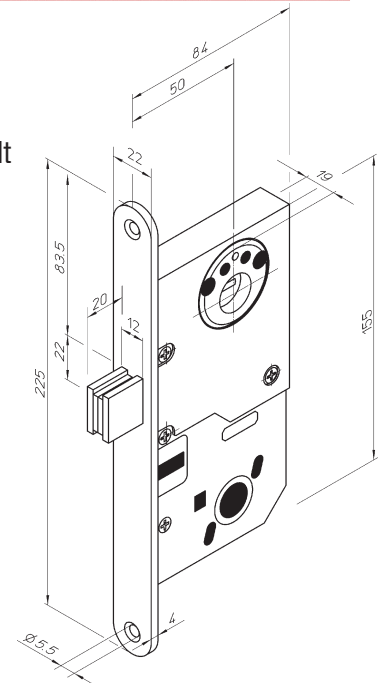
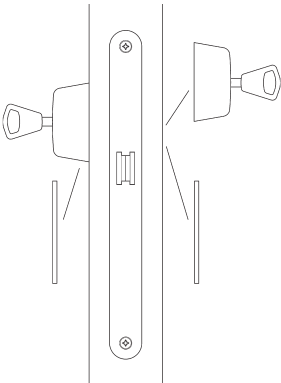
Striker plate 4690, 4691, LP710, LP711,
LP714, LP721, LP731

Finish Fe/ZL

Cylinder ABLOY® C, D, N

Fire resistance –

Mortise standard SFS 5208
SS 81 73 83
Please see page 44



ABLOY® LC211

Security mortise lock case (comparable with security grade 5 according to EN 12209) with hardened deadbolt and drilling protection.

The deadbolt has a 20 mm bolt throw. The deadbolt is locked and retracted by turning the key or thumbturn 360°. The key can only be removed when the deadbolt is fully locked or retracted.

LC211X is the microswitch version of the lock. The switch changes its status when deadbolt moves to 20 mm.

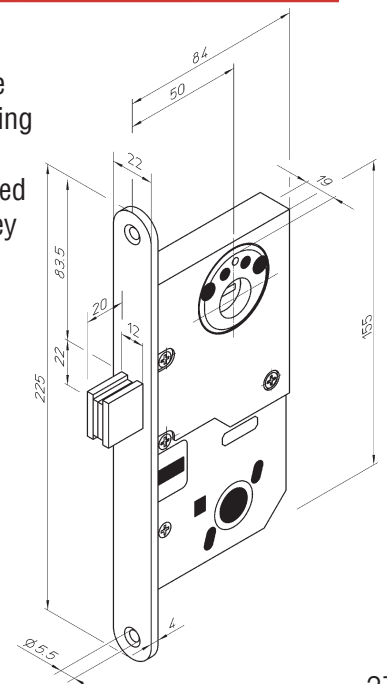
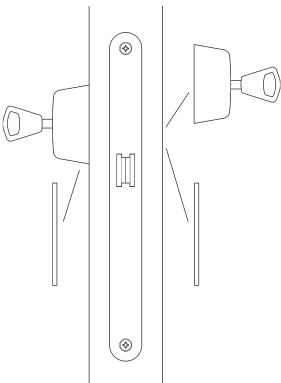
Striker plate 4690, 4691, LP710, LP712, LP717,
LP722, LP732

Finish Fe/ZL, Fe/YECRLQ

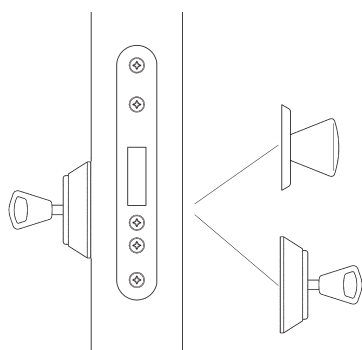
Cylinder ABLOY® D, N

Fire resistance –

Mortise standard SFS 5208
SS 81 73 83
Please see page 44



ABLOY® 4232



Security lock (comparable with security grade 4 according to EN 12209). The hardened hookbolt with intermediate locking position is locked and retracted by turning the key 360°. The deadbolt protrudes 23 mm.

The lock can be used with DIN standard fittings. Drilling protection 404252, raising the security grade to 5, is available as an optional accessory. 4232X is the microswitch version of the lock. The switch changes the status during the last key throw to the locking direction.

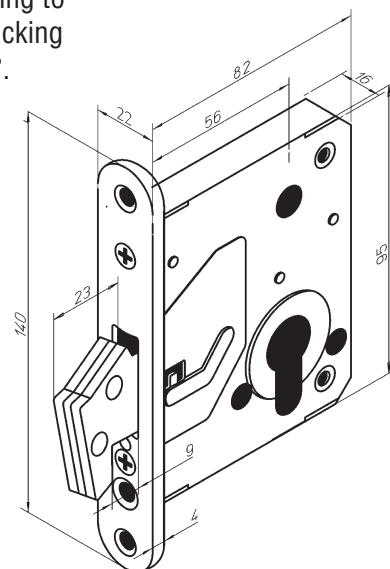
Striker plate 0036, 0065

Finish Fe/ZL

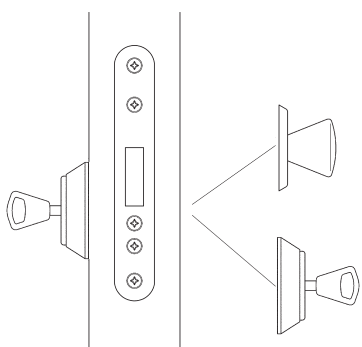
Cylinder Euro DIN

Fire resistance –

Mortise standard Please see page 47



ABLOY® 4232MP



Security lock (comparable with security grade 4 according to EN 12209) combined with multipoint module. The hardened hookbolt with intermediate locking position is locked and retracted by turning the key 360°. The deadbolt protrudes 23 mm. Multipoint module provides several multipoint locking applications, please see page 57.

The lock can be used with DIN standard fittings. Drilling protection 404252, raising the security grade to 5, is available as an optional accessory.

4232MPX is the microswitch version of the lock.

The switch changes the status during the last key throw to the locking direction.

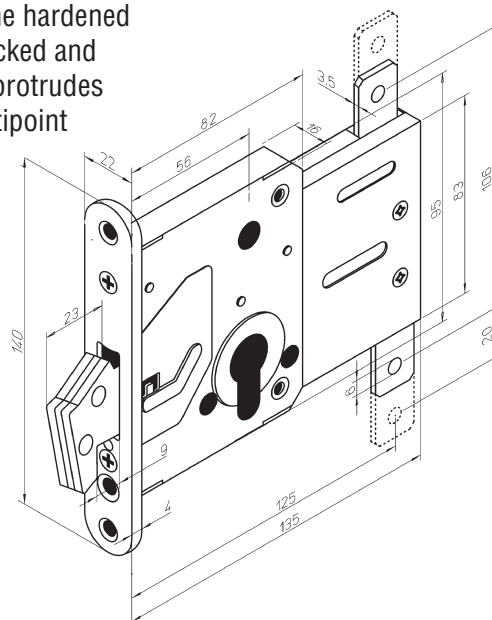
Striker plate 0036, 0065

Finish Fe/ZL

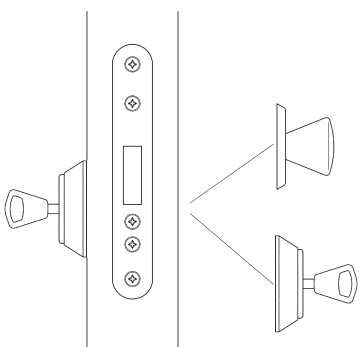
Cylinder Euro DIN

Fire resistance –

Mortise standard Please see page 47



ABLOY® 4233



Security lock (comparable with security grade 4 according to EN 12209). The hardened hookbolt with intermediate locking position is locked and retracted by turning the key 360°. The deadbolt protrudes 23 mm.

The lock can be used with DIN standard fittings. Drilling protection 404252, raising the security grade to 5, is available as an optional accessory. 4233X is the microswitch version of the lock. The switch changes the status during the last key throw to the locking direction.

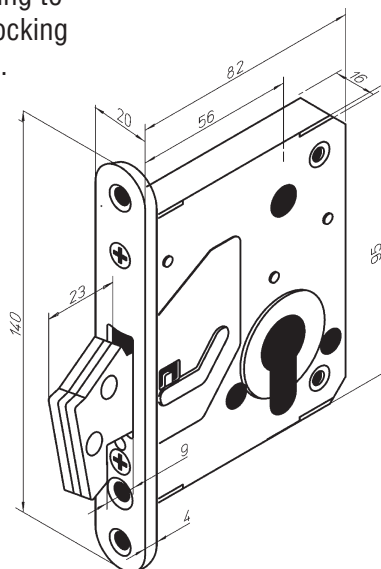
Striker plate 0036, 0065

Finish Fe/ZL

Cylinder Euro DIN

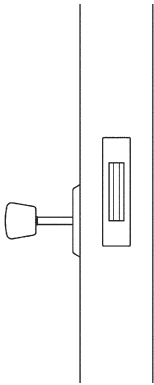
Fire resistance –

Mortise standard Please see page 47

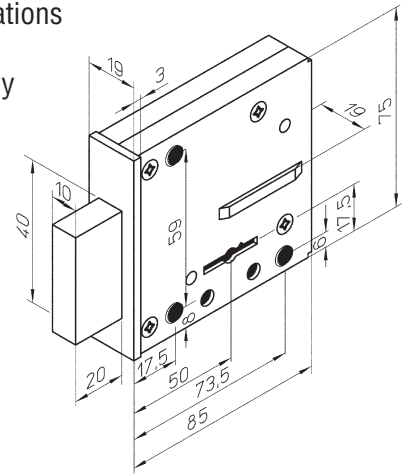


ABLOY® 2925

Lock case approved according to standards EN 1300 and SS 3492 for firearm cabinets and safes. The lock has more than 500 000 different key combinations and a patented picking protection mechanism. The key can only be removed when the deadbolt is fully locked. The deadbolt protrudes 20 mm. 2925 is fixed through the case.

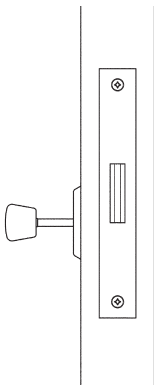


- Striker plate –
- Finish Fe/ZN
- Fire resistance –
- Mortise –

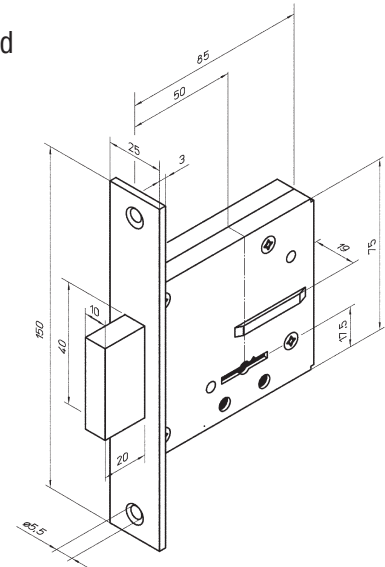


ABLOY® 2926

Lock case approved according to standards EN 1300 and SS 3492 for firearm cabinets and safes. The lock has more than 500 000 different key combinations and a patented picking protection mechanism. The key can only be removed when the deadbolt is fully locked. The deadbolt protrudes 20 mm. 2926 is fixed through the forend.

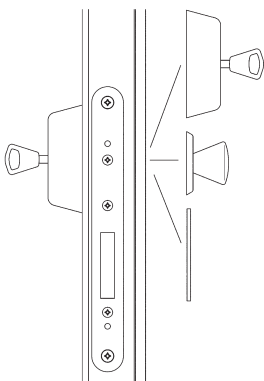


- Striker plate –
- Finish Fe/ZN
- Fire resistance –
- Mortise standard –

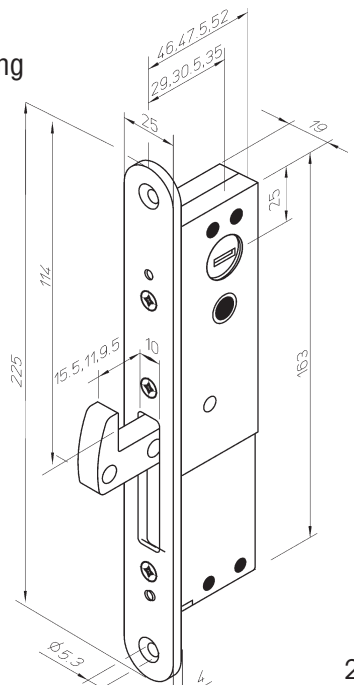


ABLOY® LC306

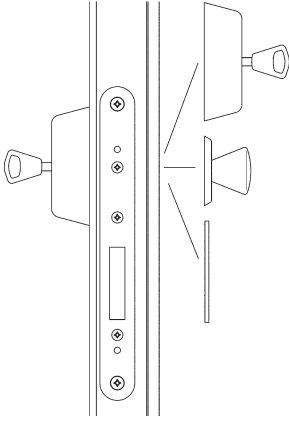
Security lock case (comparable with security grade 5 according to EN 12209) for narrow profile doors. Operates with key from either side with a double cylinder or from outside with a cylinder and inside with a special thumb-turn or from one side only with a single cylinder. The key can only be removed when the hardened hookbolt is fully locked or retracted. LC306X is the microswitch version of the lock. The switch changes the status when the hookbolt moves from unlocked to locked position.



- Striker plate 4655, LP707
- Finish Fe/ZL
- Cylinder ABLOY® C, D, N
- Fire resistance –
- Mortise standard Please see page 48



ABLOY® LC306H



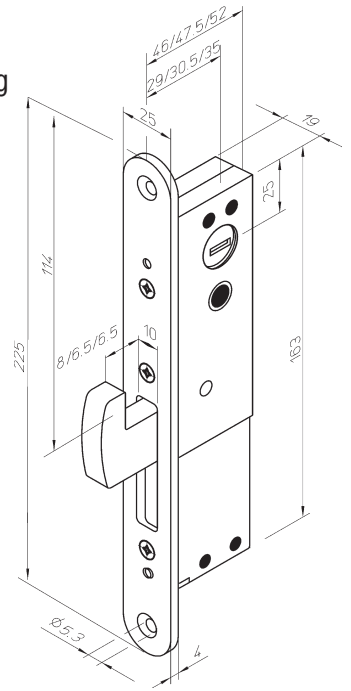
Security lock case (comparable with security grade 5 according to EN 12209) with hookbolt, reinforced against pulling loads for narrow profile sliding doors.

Operates with key from either side with a double cylinder or from outside with a cylinder and inside with a special thumbturn or from one side only with a single cylinder.

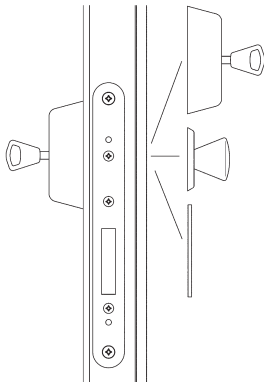
The key can only be removed when the hardened hookbolt is fully locked or retracted.

LC306HX is the microswitch version of the lock. The switch changes the status when the hookbolt moves from unlocked to locked position.

Striker plate	LP708
Finish	Fe/ZL
Cylinder	ABLOY® C, D, N
Fire resistance	–
Mortise standard	Please see page 48



ABLOY® LC307



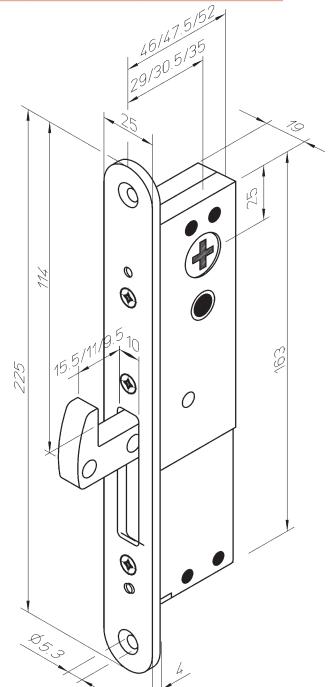
Security lock case (comparable with security grade 5 according to EN 12209) for narrow profile doors.

Operates with key from either side with a double cylinder or from outside with a cylinder and inside with a thumbturn or from one side only with a single cylinder.

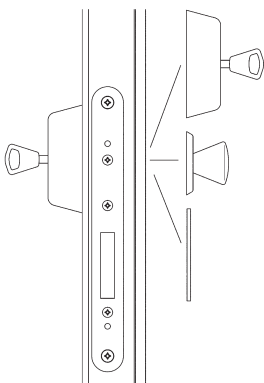
The key can only be removed when the hardened hookbolt is fully locked or retracted.

LC307X is the microswitch version of the lock. The switch changes the status when the hookbolt moves from unlocked to locked position.

Striker plate	4655, LP707
Finish	Fe/ZL
Cylinder	ABLOY® D, N, SCAND
Fire resistance	–
Mortise standard	Please see page 48



ABLOY® LC307H



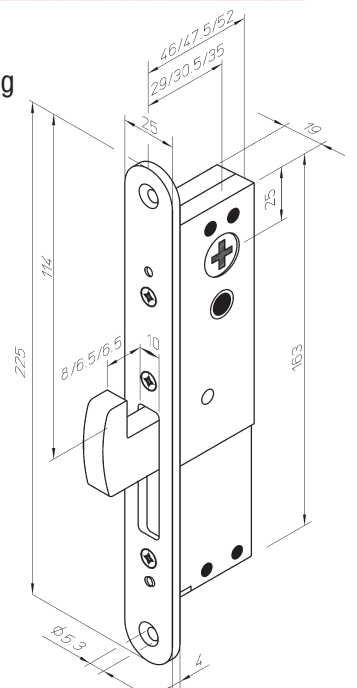
Security lock case (comparable with security grade 5 according to EN 12209) with hookbolt, reinforced against pulling loads for narrow profile sliding doors.

Operates with key from either side with a double cylinder or from outside with a cylinder and inside with a thumbturn or from one side only with a single cylinder.

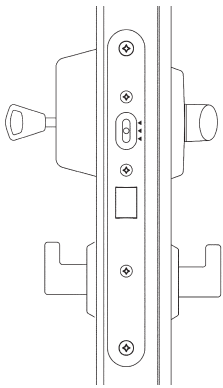
The key can only be removed when the hardened hookbolt is fully locked or retracted.

LC307HX is the microswitch version of the lock. The switch changes the status when the hookbolt moves from unlocked to locked position.

Striker plate	LP708
Finish	Fe/ZL
Cylinder	ABLOY® D, N, SCAND
Fire resistance	–
Mortise standard	Please see page 48



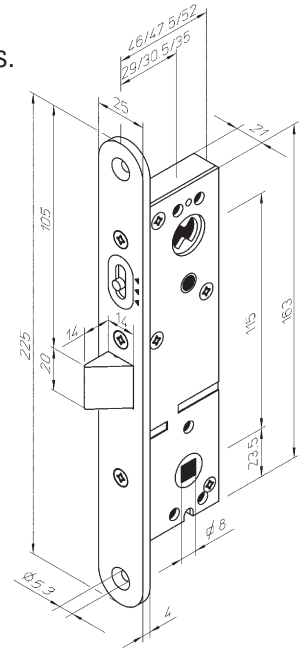
ABLOY® LC300



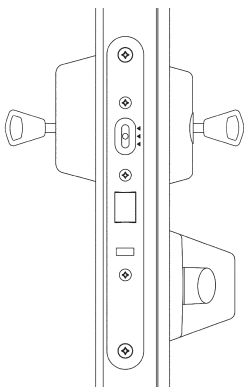
Non-deadlocking mortise lock for narrow profile entrance doors. The lock is opened by a key or a thumbturn (or handles if in use).

Can be used with electromechanical striker plate. The sliding button is locked in the MIDDLE position. LC300X is the microswitch version of the lock. The switch changes its status when the latchbolt protrudes 9 mm or more.

Striker plate	4613, 4614
Finish	Fe/ZL
Cylinder	ABLOY® C, D, N, SCAND
Fire resistance	Yes
Mortise standard	Please see page 48



ABLOY® LC301

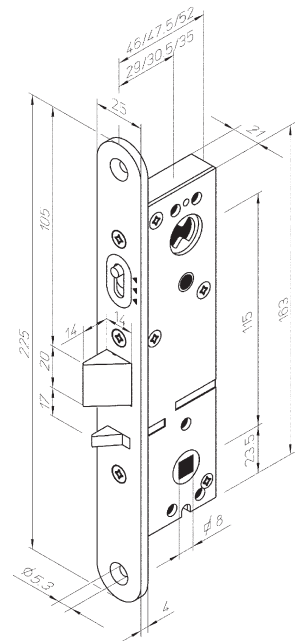


Automatically deadlocking lock for narrow profile emergency exit doors. The lock can be opened either with a key (outside and inside) or by using an emergency thumbturn (sliding snib in UP position).

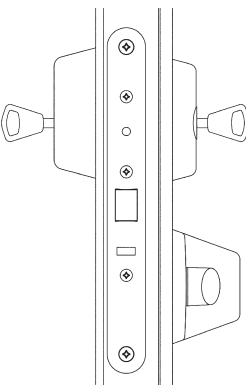
Latchbolt can be retained inside the lock case (sliding snib in DOWN position).

Sliding snib is released only when turning the key. LC301X is the microswitch version of the lock. The switch changes its status when the latchbolt protrudes 9 mm or more.

Striker plate	4613, 4614
Finish	Fe/ZL
Cylinder	ABLOY® C, D, N, SCAND
Fire resistance	–
Mortise standard	Please see page 48



ABLOY® LC301F



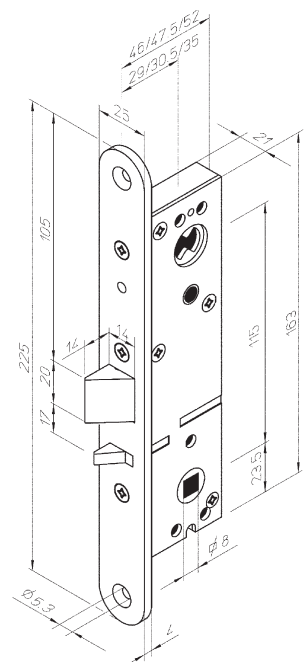
Automatically deadlocking lock for fire resisting narrow profile emergency exit doors.

The lock can be opened either with a key (outside and inside) or by using an emergency thumbturn.

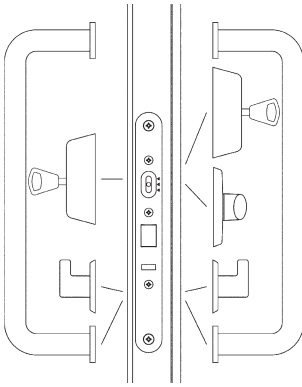
There is no sliding snib. Automatic deadlocking when the door is closed.

LC301FX is the microswitch version of the lock. The switch changes its status when the latchbolt protrudes 9 mm or more.

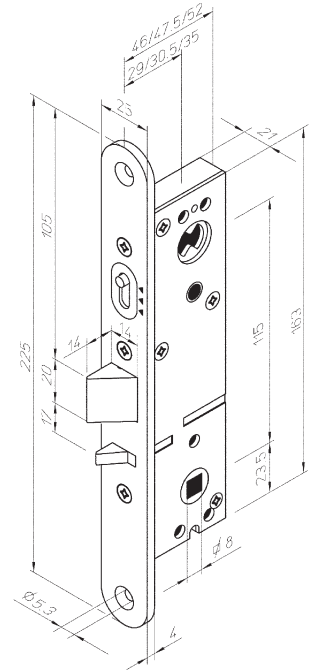
Striker plate	4613, 4614
Finish	Fe/ZL
Cylinder	ABLOY® C, D, N, SCAND
Fire resistance	Yes
Mortise standard	Please see page 48



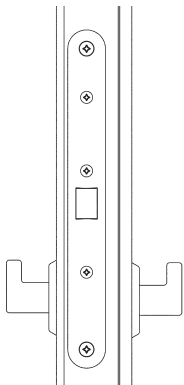
ABLOY® LC302



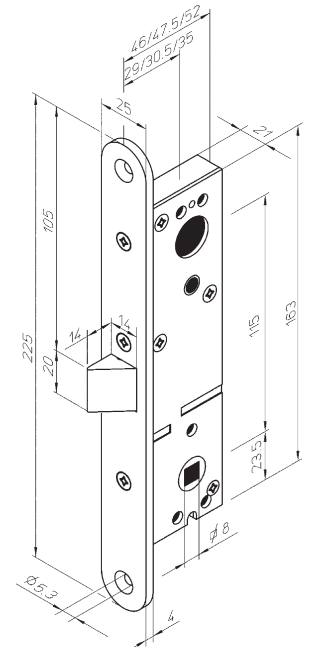
Automatically deadlocking lock for narrow profile doors. Function is determined by sliding snib on forend:
 UP position = automatic deadlocking. Opened by a key from either side, or by a thumbturn from inside.
 MIDDLE position = lock is latched and operates also with handles.
 DOWN position = latchbolt is retained inside the lock case. Sliding snib is released only when turning the key (or thumbturn).
 LC302X is the microswitch version of the lock. The switch changes it's status when the latchbolt protrudes 9 mm or more.
 Striker plate 4613, 4614
 Finish Fe/ZL
 Cylinder ABLOY® C, D, N, SCAND
 Fire resistance –
 Mortise standard Please see page 48



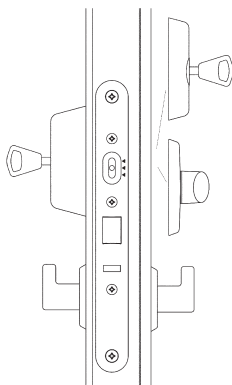
ABLOY® LC303



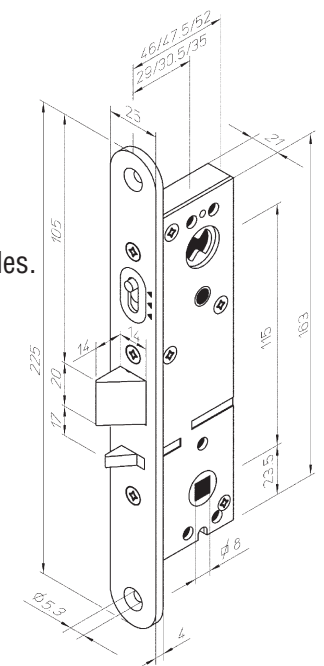
Mortise latch for narrow profile doors with lever handle function only.
 Striker plate 4613, 4614
 Finish Fe/ZL
 Fire resistance Yes
 Mortise standard Please see page 48



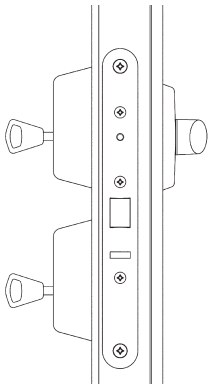
ABLOY® LC305



Automatically deadlocking lock for narrow profile doors. Primarily for doors which must always be latched (e.g. fire doors) and where deadlocking is needed. Function is determined by a sliding snib on forend:
 UP position = automatic deadlocking. Operates by a key (or a thumbturn) from either side.
 MIDDLE position = lock is latched and operates also with handles.
 DOWN position = not in use.
 Sliding snib is released only when turning the key (or thumbturn).
 LC305X is the microswitch version of the lock. The switch changes it's status when the latchbolt protrudes 9 mm or more.
 Striker plate 4613, 4614
 Finish Fe/ZL
 Cylinder ABLOY® C, D, N, SCAND
 Fire resistance Yes
 Mortise standard Please see page 48

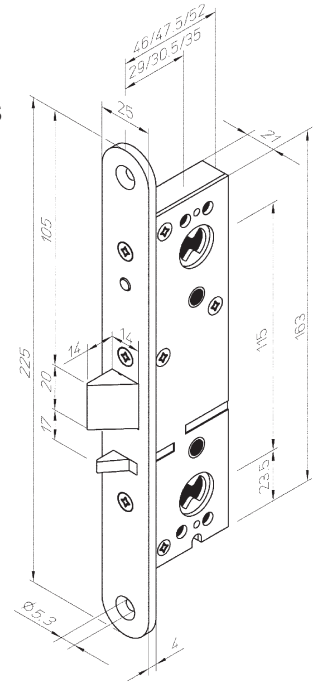


ABLOY® LC130

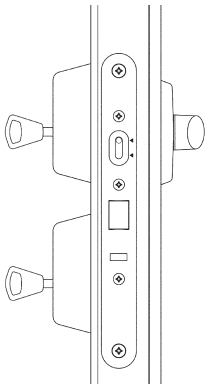


Double cylinder lock case with an automatic deadlocking for narrow profile doors. Automatic deadlocking when the door is closed. The lock is opened with a key or a thumbturn. The cylinder and thumbturn which is used more is recommended to be installed higher up. The lock can be fitted with a thumbturn and/or a one sided or a double sided cylinder. The lower cylinder is installed upside down due to the construction of the lock. LC130X is the microswitch version of the lock. The switch changes it's status when the latchbolt protrudes 9 mm or more.

- Striker plate 4613, 4614
- Finish Fe/ZL
- Cylinder ABLOY® C, D, N, SCAND
- Fire resistance Yes
- Mortise standard Please see page 49



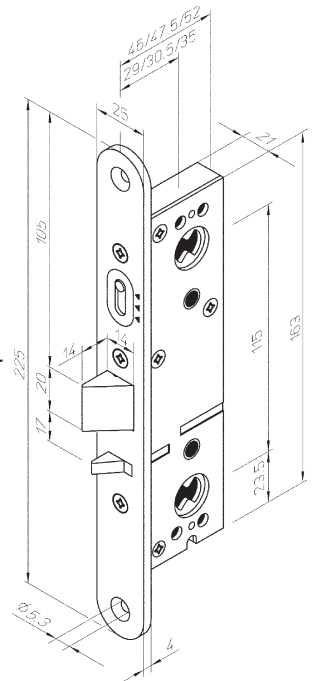
ABLOY® LC131



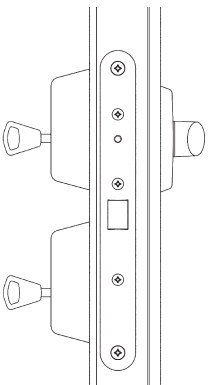
Double cylinder lock case with an automatic deadlocking for narrow profile doors equipped with a door closer. Function is determined by sliding button on forend: UP/MIDDLE position = automatic deadlocking. Operates by a key or a thumbturn.

DOWN position = latchbolt is retained inside the lock case. Sliding snib is released only when turning the key (or thumbturn). The cylinder and thumbturn which is used more is recommended to be installed higher up. The lock can be fitted with a thumbturn and/or a one sided and a double sided cylinder. The lower cylinder is installed upside down due to the construction of the lock. LC131X is the microswitch version of the lock. The switch changes it's status when the latchbolt protrudes 9 mm or more.

- Striker plate 4613, 4614
- Finish Fe/ZL
- Cylinder ABLOY® C, D, N, SCAND
- Fire resistance –
- Mortise standard Please see page 49

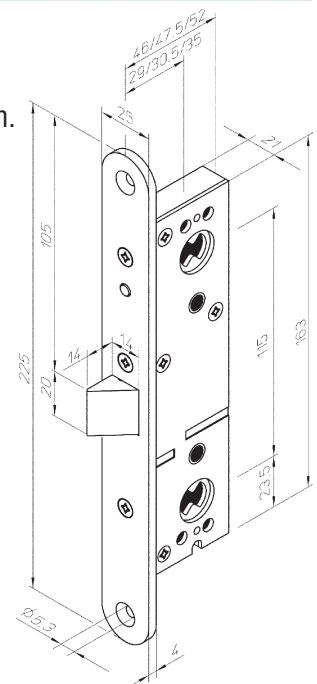


ABLOY® LC132



Double cylinder lock case, which is latching always when closing the door. The lock is opened with a key or a thumbturn. The lock can be used with electromechanical striker plate. The cylinder and thumbturn which is used more is recommended to be installed higher up. The locks can be equipped with a thumbturn and/or a one sided or a double sided cylinder. The lower cylinder is installed upside down due to the construction of the lock. LC132X is the microswitch version of the lock. The switch changes it's status when the latchbolt protrudes 9 mm or more.

- Striker plate 4613, 4614
- Finish Fe/ZL
- Cylinder ABLOY® C, D, N, SCAND
- Fire resistance Yes
- Mortise standard Please see page 49



ABLOY® 2050 installation box

Surface mounted ABLOY® 2050 installation box is specially designed to be used on glass doors or other door constructions where normal mortice installation is not possible.

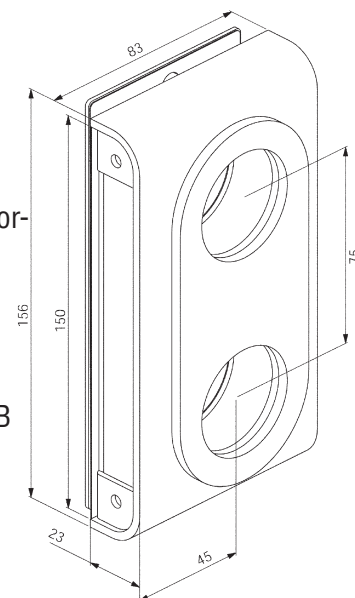
All ABLOY® interior door locks (e.g. ABLOY® 2011, ABLOY® 2014 or ABLOY® 4260) made to fit in a mortice prepared according to standard SFS 5210 can be installed in this box. The delivery includes an installation box in two parts, insulating films to protect the glass, backing plate and installation parts.

Striker plate for wooden door frame 0045, 0055, 0068, 0068B

Striker plate for double door or glass screen 0050

Finish Fe/JME, Fe/JHA and Fe/CR

Drilling scheme please see page 49



ABLOY® 2051 installation box

Surface mounted ABLOY® 2051 installation box is specially designed to be used on glass doors, gates or other door constructions where normal mortice installation is not possible. All ABLOY®-lock cases (e.g. ABLOY® 4190 series, excl. 4291) made to fit in a mortice prepared according to standard SFS 5209 can be installed in this box. The delivery includes an installation box in two parts, insulating films to protect the glass, backing plate and installation parts.

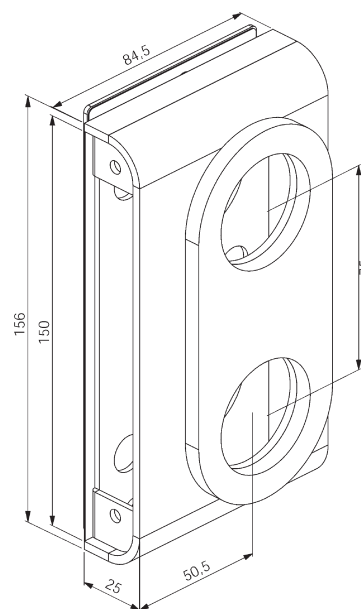
Striker plate for wooden door frame
4690, 4691, LP711, LP714, LP721, LP731

Striker plate for double door or glass screen 0051

Striker plate for double door or glass screen with
ABLOY® 4960, 0052

Finish Fe/JME, Fe/JHA and Fe/CR

Drilling scheme please see page 49

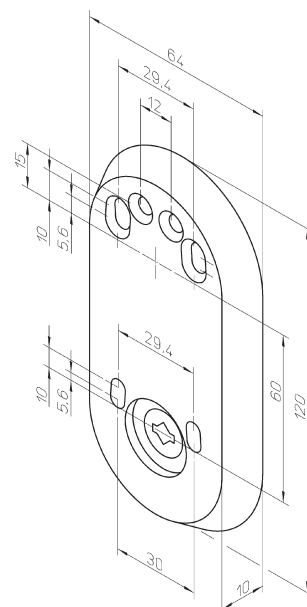


Transfer device ABLOY® 518

The surface mounted ABLOY® 518 transfer device can be used to combine two different key or cylinder systems and it can easily be installed also on existing locks of different types.

The device can be used to combine
ABLOY® C, D, N with ABLOY® C, D, N
ABLOY® C, D, N with SCAND cylinders or
SCAND with SCAND

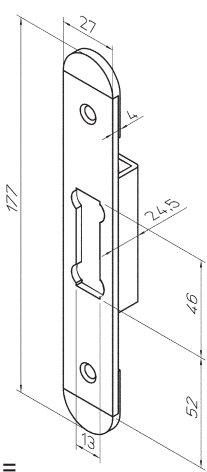
NB. Fittings to be ordered separately



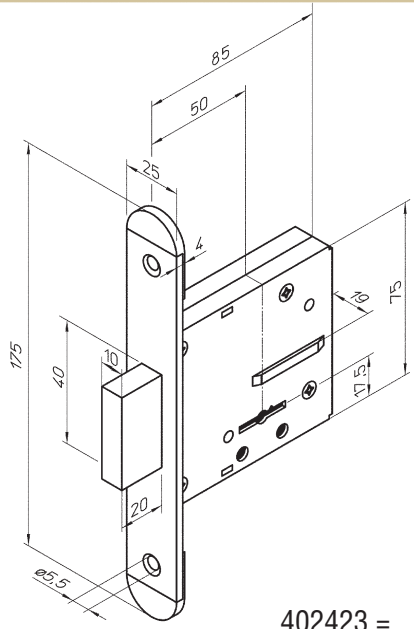
Rounding pieces

When the mortise is made by a drill, router or milling machine the tooling traces can be covered by rounding pieces.

Finish = ABS/CR



402424 =
For striker plate ABLOY®0036



402423 =
For lock ABLOY®428

Escutcheons

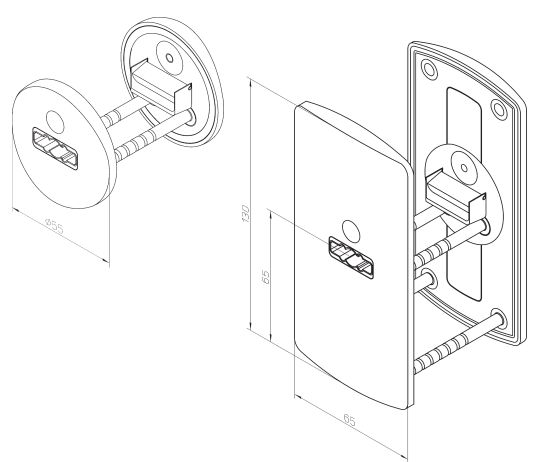
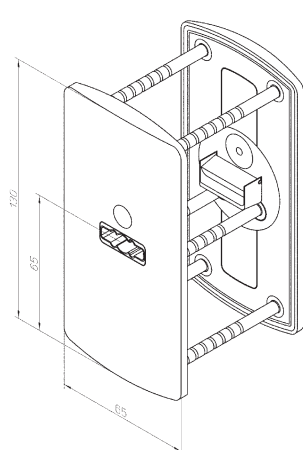
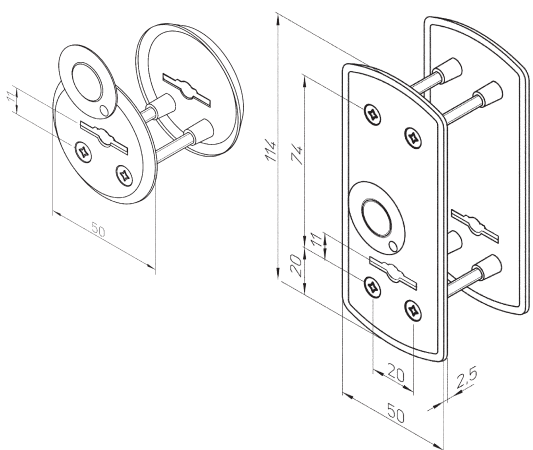
113
Finish
Ms/CR
Ms/HA

7677
Finish
Fe/CR

960
Finish
Ms/CR, Ms/HCR
and Ms/KILA

961
Finish
Ms/CR, Ms/HCR
and Ms/KILA

962
Finish
Ms/CR, Ms/HCR
and Ms/KILA

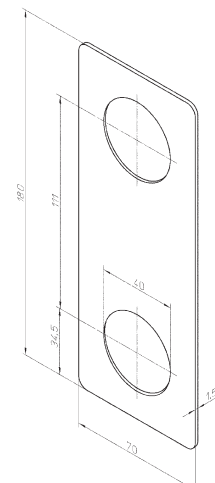
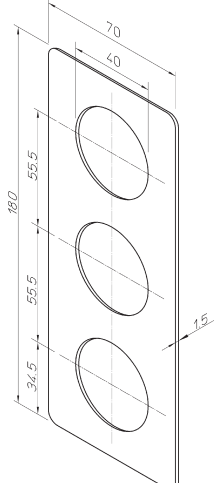
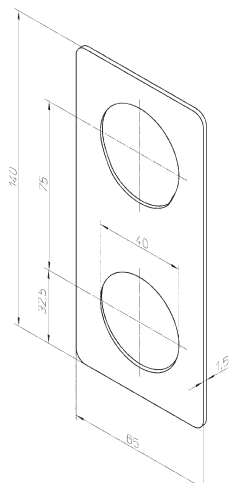


Cover plates

023
Finish
Ms/CR
Ms/HA

024
Finish
Ms/CR
Ms/HA

025
Finish
Ms/CR
Ms/HA



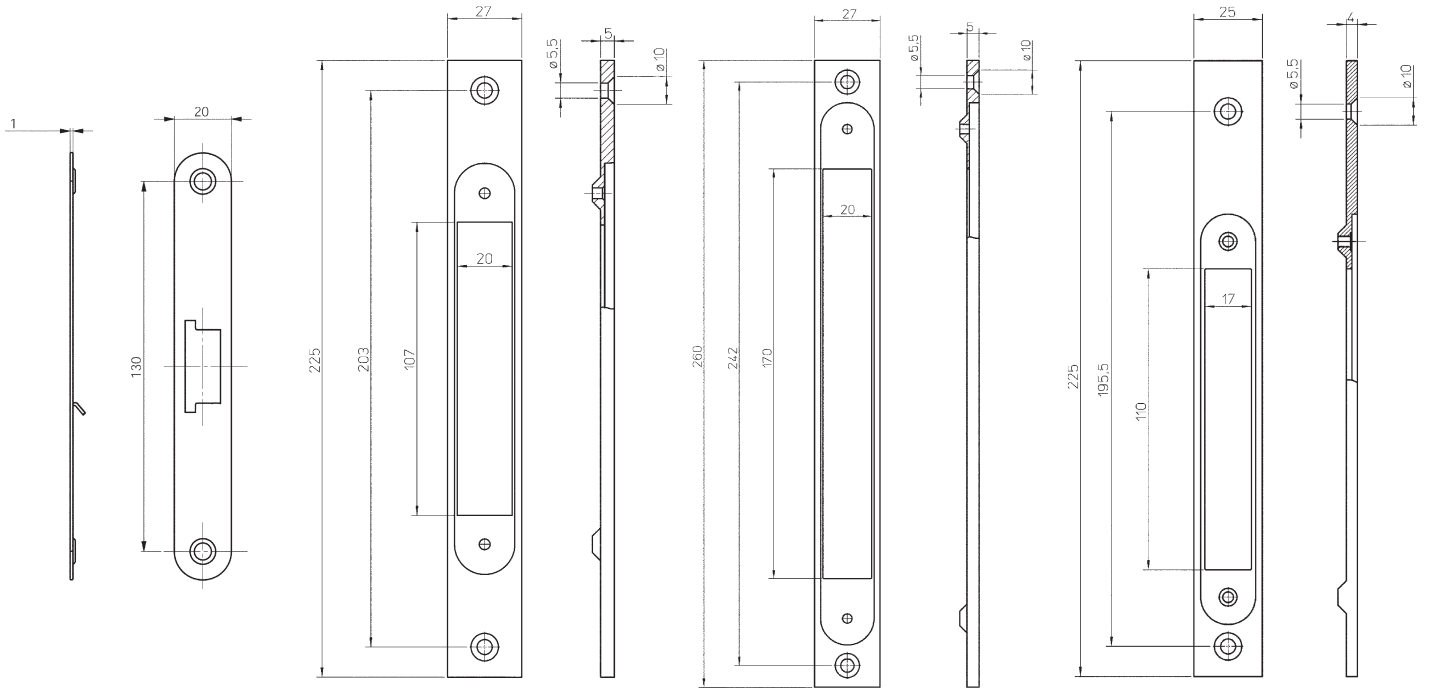
Cover front plates

7640
Finish
Fe/CR, Fe/HCR
Ms/HA, Ms/KI, Rt

7690
Finish
Zn/CR

7691
Finish
Al/CR

7694
Finish
Zn/CR



Keys

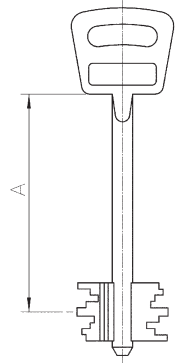
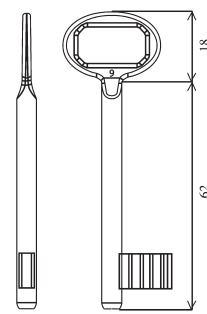
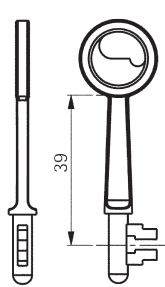
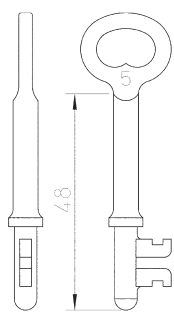
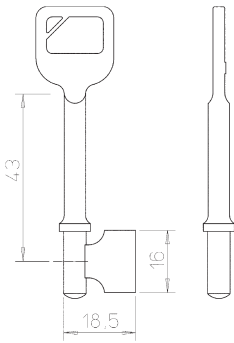
2011
Length 43, 72 mm

2014
Length 48, 68 mm

2024, 2040
Length 39 mm

4250
Length 62 mm

**428, 2928, 2925,
2926, 451S**
Length 43, 53, 69 mm

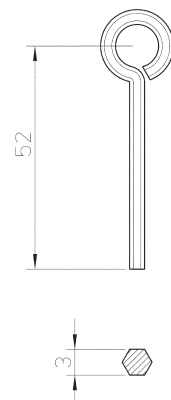
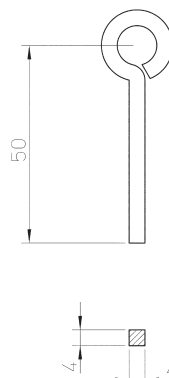
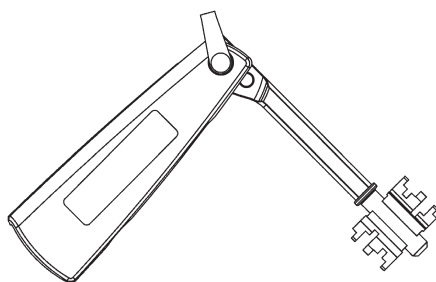
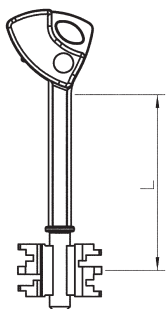


SL900, SL901, SL905
Length 47, 60 mm

Folding key
SL900, SL901, SL905
Length 47 mm

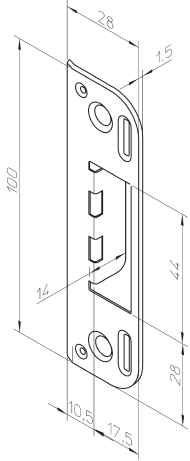
Square key

Hexagonal key

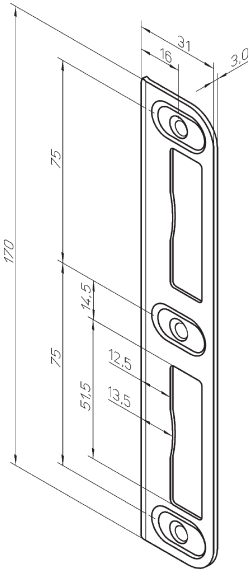


Striker plates

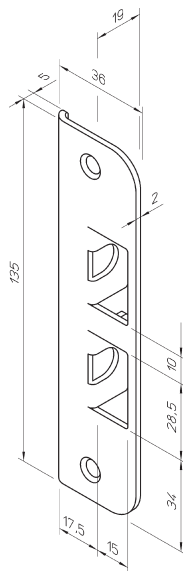
0028



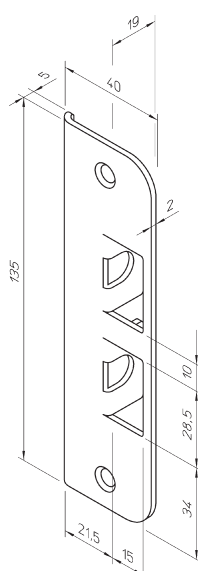
0029



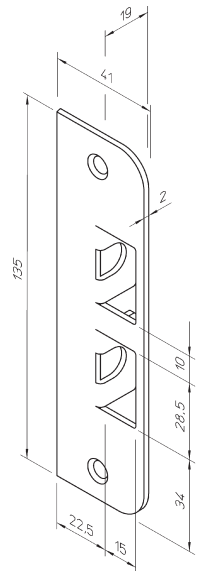
0031/36



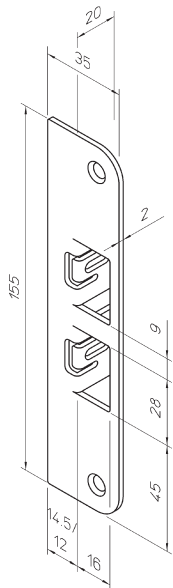
0031/40



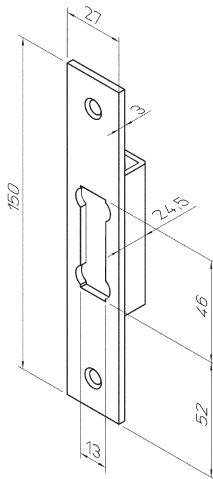
0031/41



0034, 0034/12

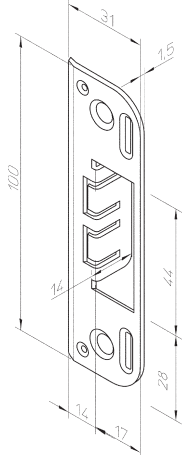


0036

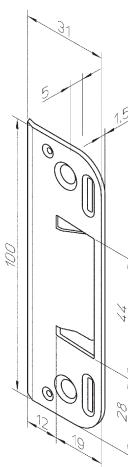


Mortise please see page 53

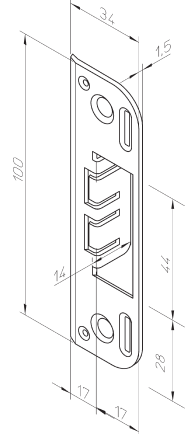
0045



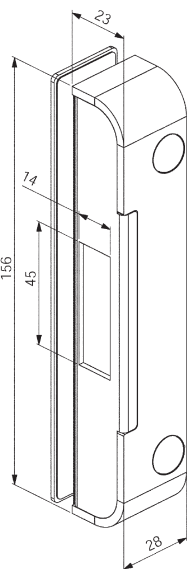
0046



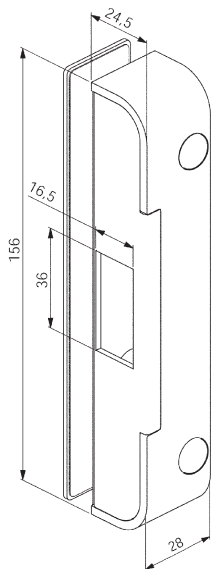
0049



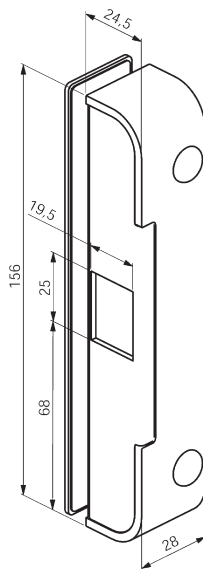
0050



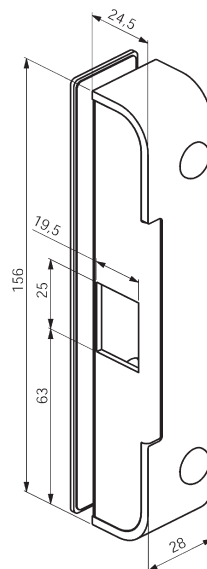
0051



0052 left

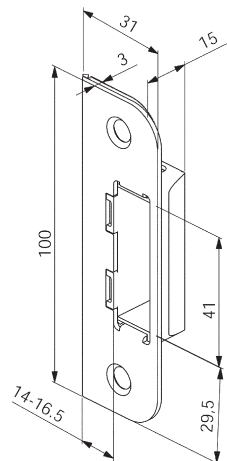


0052 right



0055, 0055I, 0055M

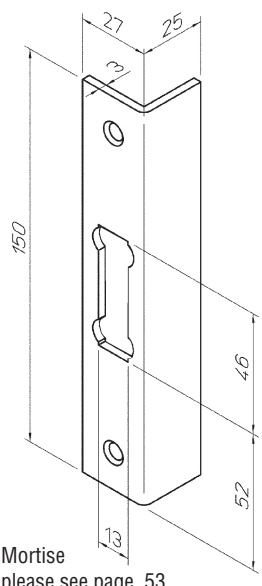
The striker plate has a 2.5 mm adjustment by which the function of the door can be optimized.



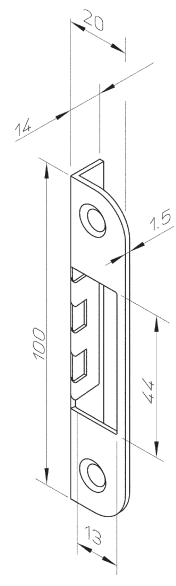
0050, 0051, 0052 mortise please see page 50

Striker plates

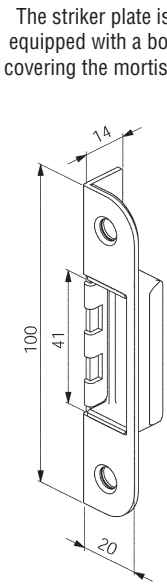
0065



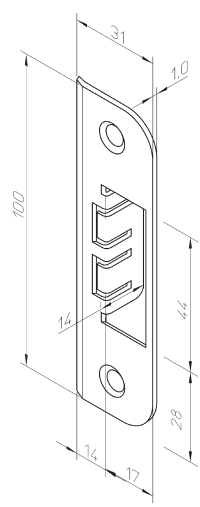
0068



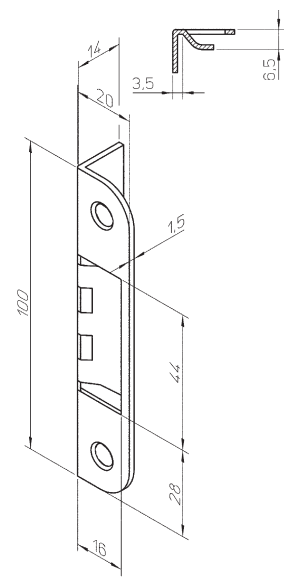
0068B



0070



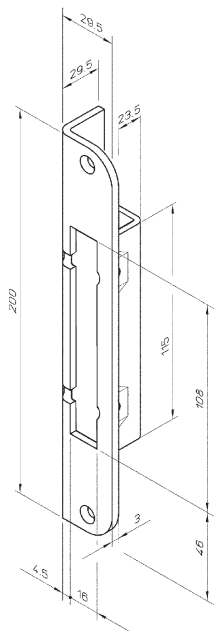
0078



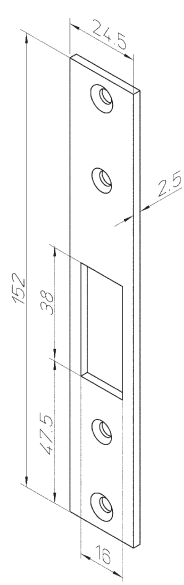
The striker plate is equipped with a box covering the mortise.

Mortise please see page 53

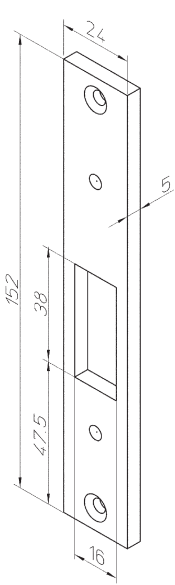
0079



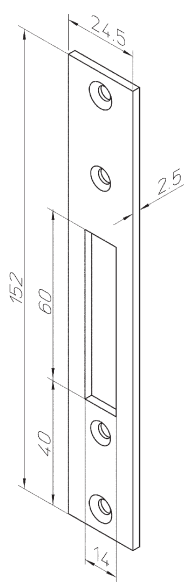
4613



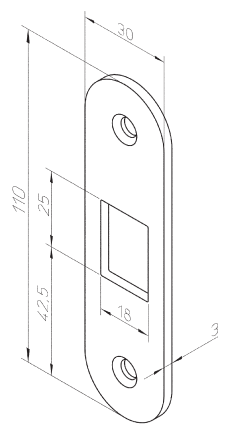
4614



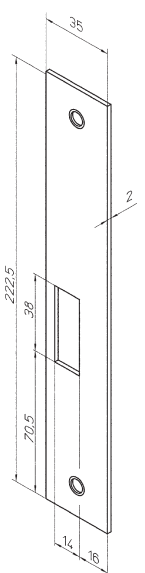
4655



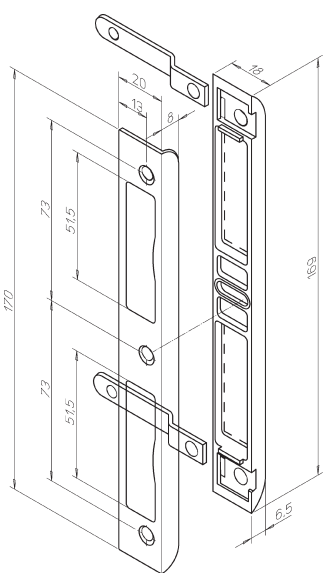
4662



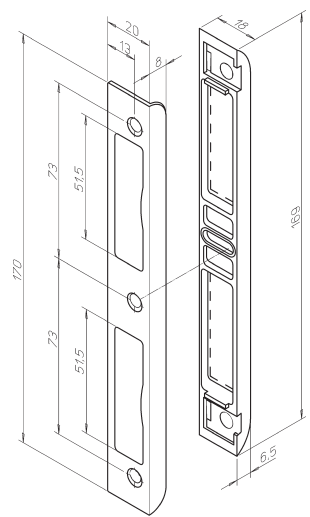
4666



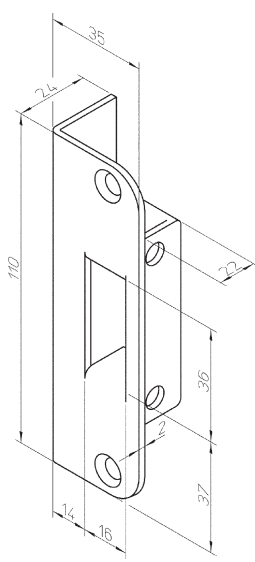
4667



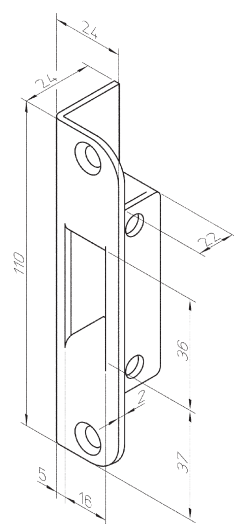
4669



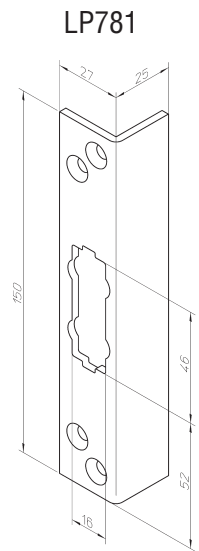
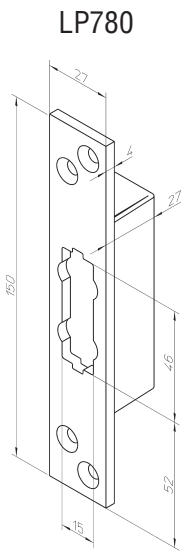
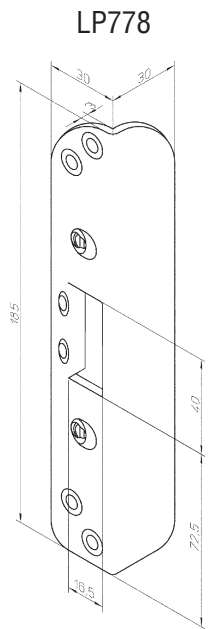
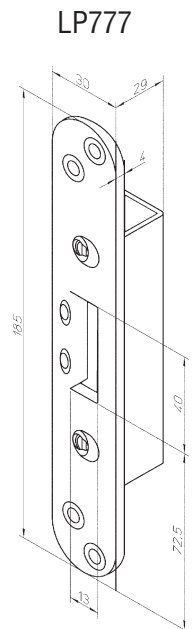
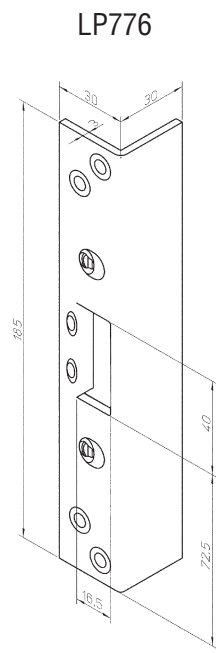
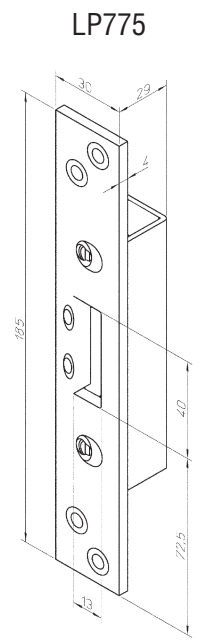
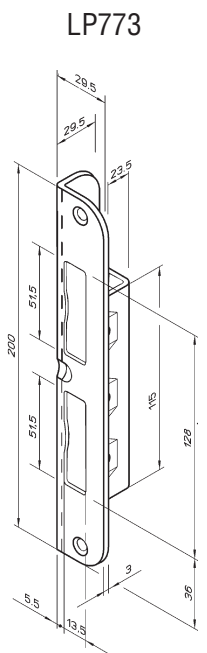
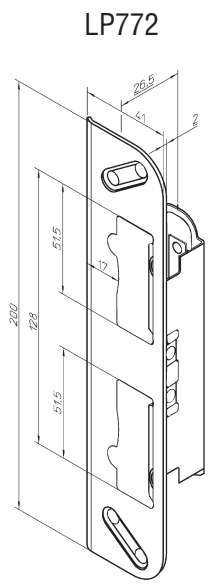
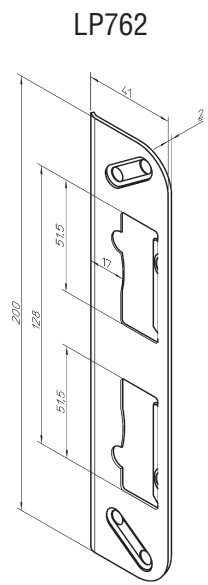
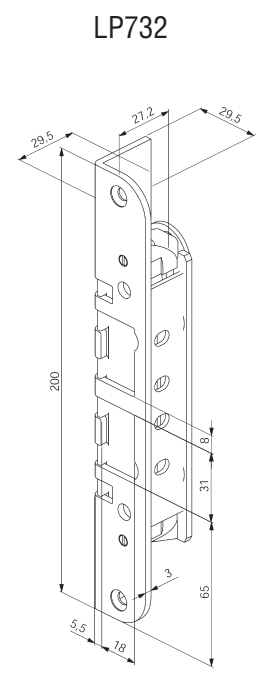
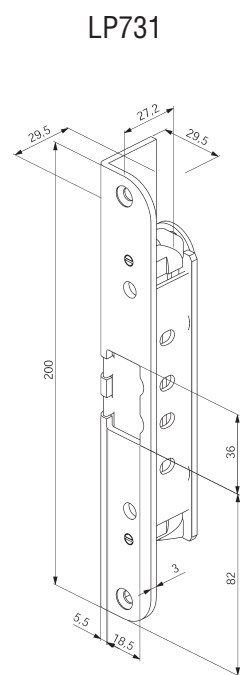
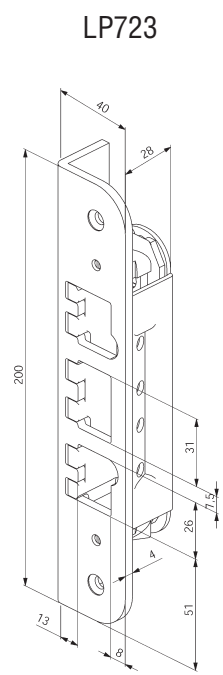
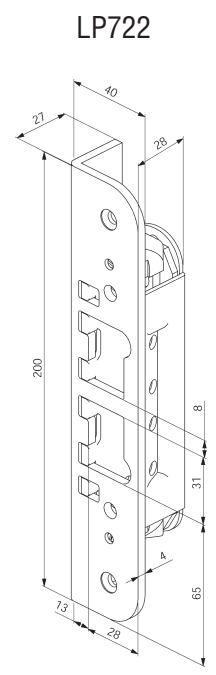
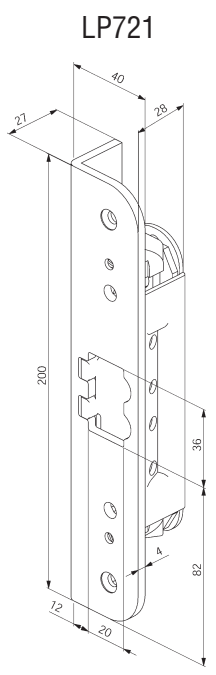
4690



4691



Striker plates

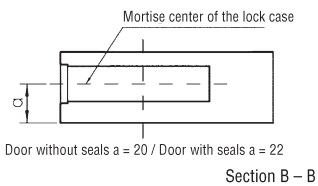
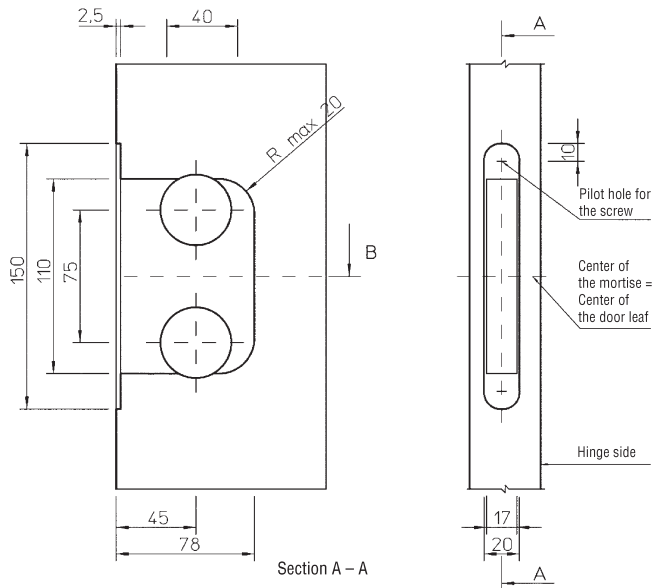


LP 775 and LP777 mortise please see page 51

LP 776, LP778, LP780 and LP781 mortise please see page 52

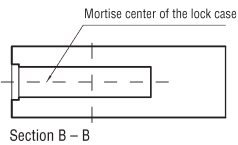
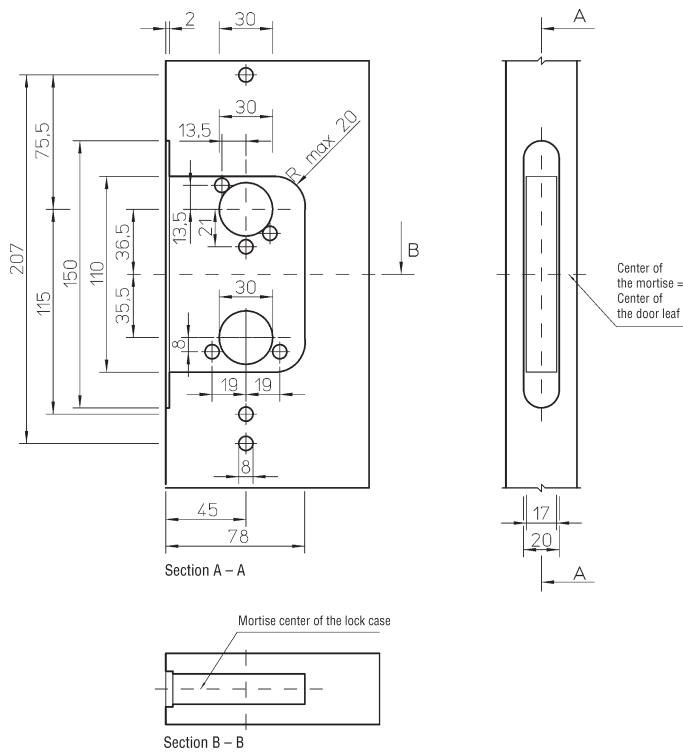
Locks for interior doors

SFS 5210
 SS 81 73 82
 2011, 2014, 2016, 2020, 2024, 2025, 2040, 2041,
 4238, 4249, 4260, 4570, 9456



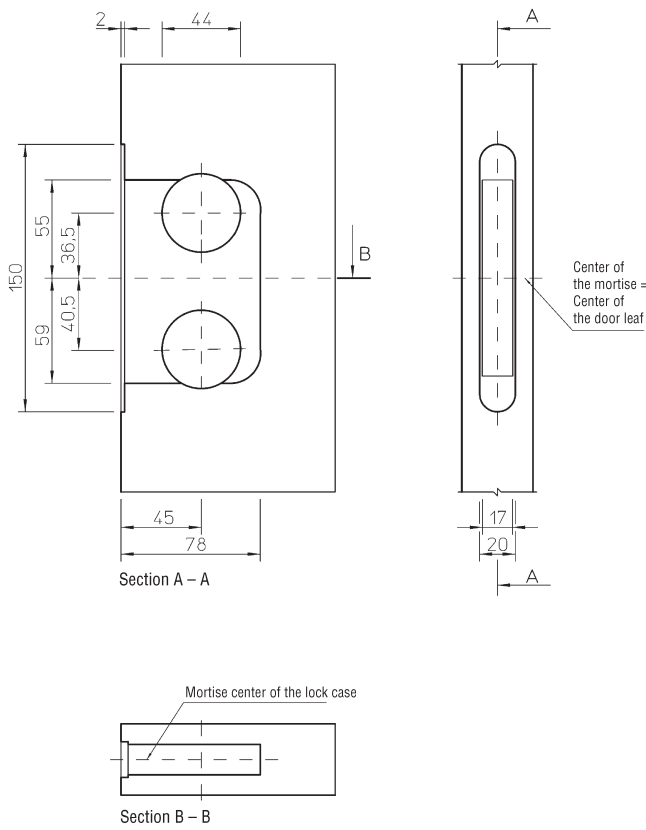
When 7640 cover plate is used with locks 2024 and 2025 it is recommended to make the mortise for the forend 3 mm deep.

2011, 2014, 2040 with DIN fittings

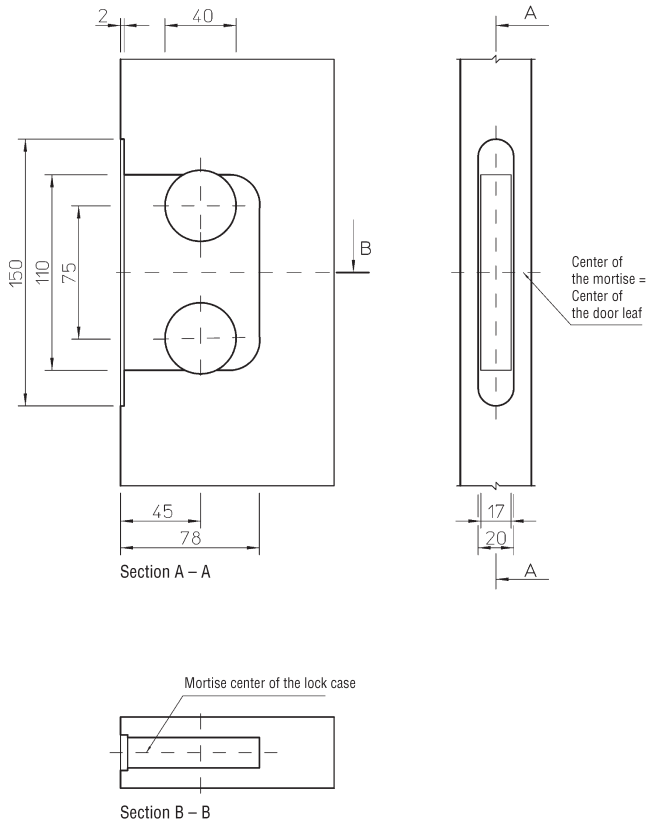


Locks for interior doors

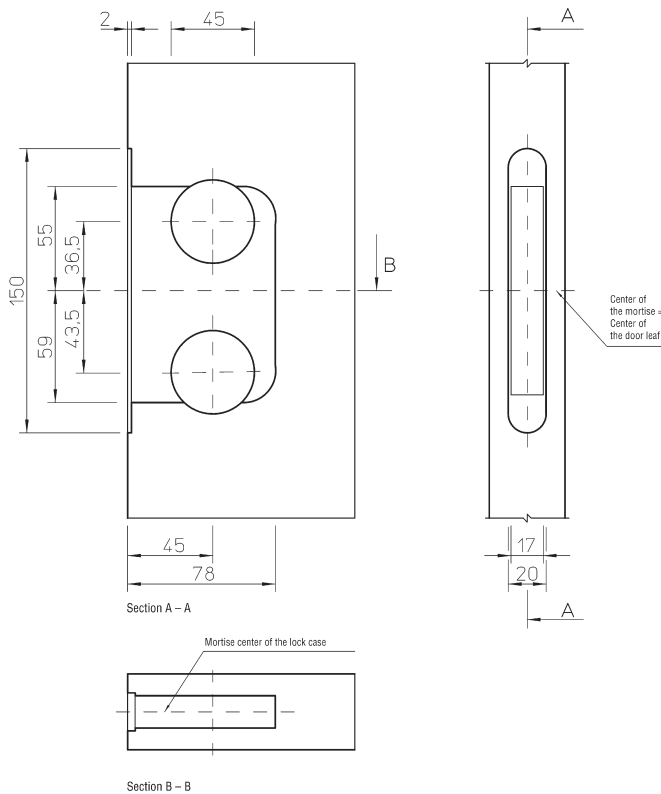
2018, 2019 with ABLOY® 001PZ fittings



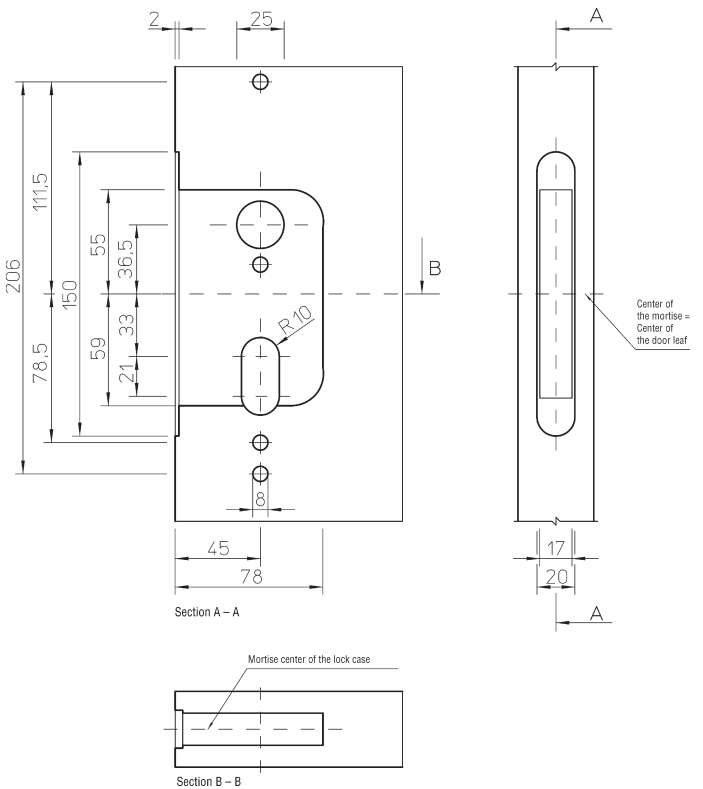
2018, 2019 with normal standard fittings



2018, 2019 with ABLOY® 004PZ fittings

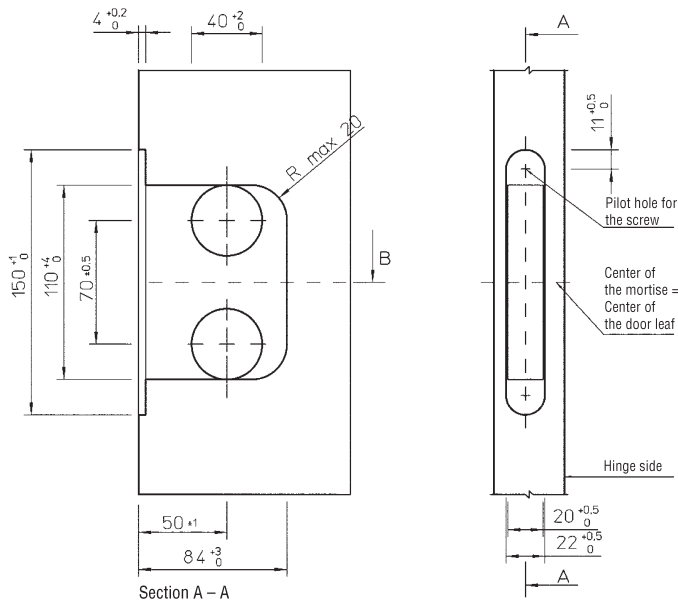


2018, 2019 with ABLOY® 010PZ fittings

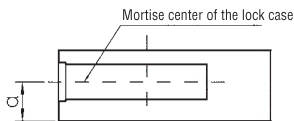


Locks for interior doors

4291

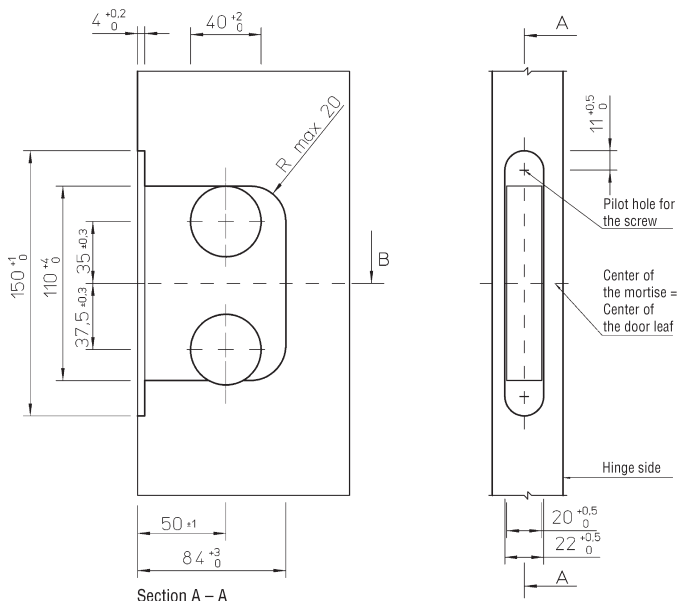


Section A - A

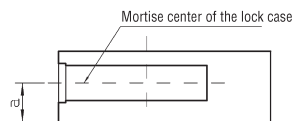


Door without seals a = 20 +0,5 / Door with seals a = 22 +0,5
Section B - B

4291 asymmetrical mortise



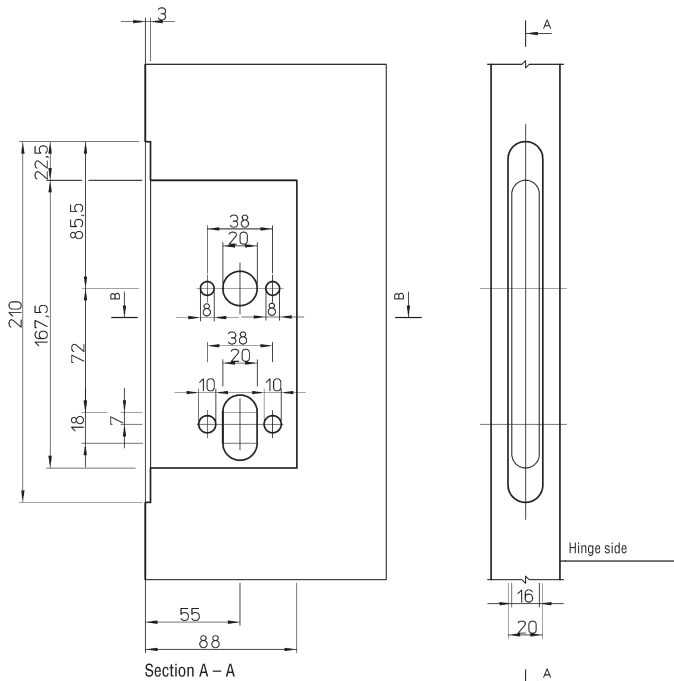
Section A - A



Door without seals a = 20 +0,5 / Door with seals a = 22 +0,5
Section B - B

The mortise must be asymmetrical if a separate additional lever handle spring is used.

4250, 4251, 4252, 4262, 4271

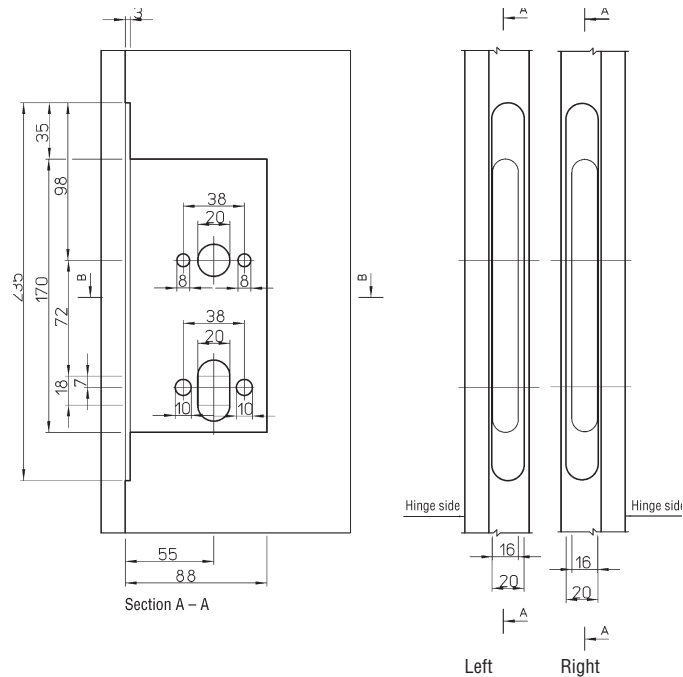


Section A - A

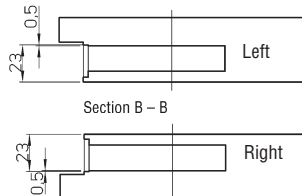


Section B - B

4282



Section A - A



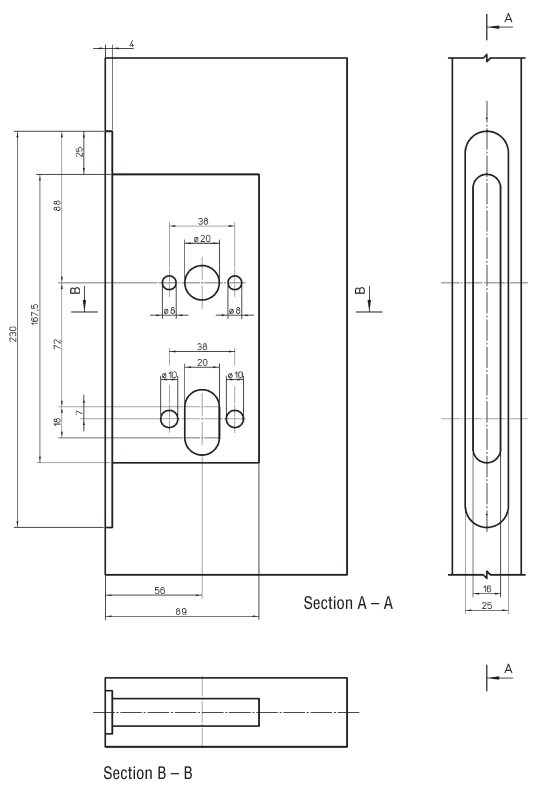
Section B - B

Leikkaus B - B

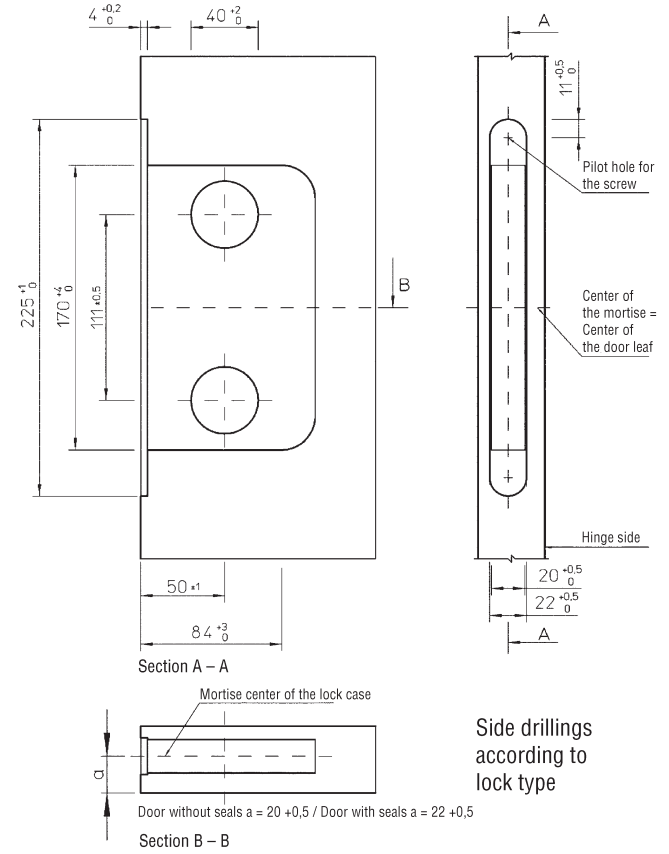
The mortise measures are normative.

Lock cases for wooden / steel doors

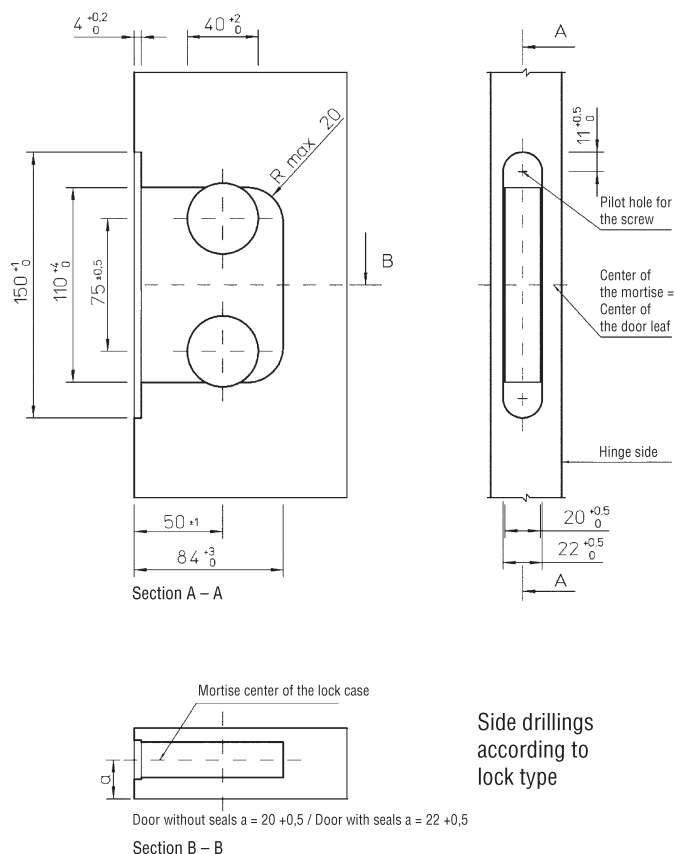
4230



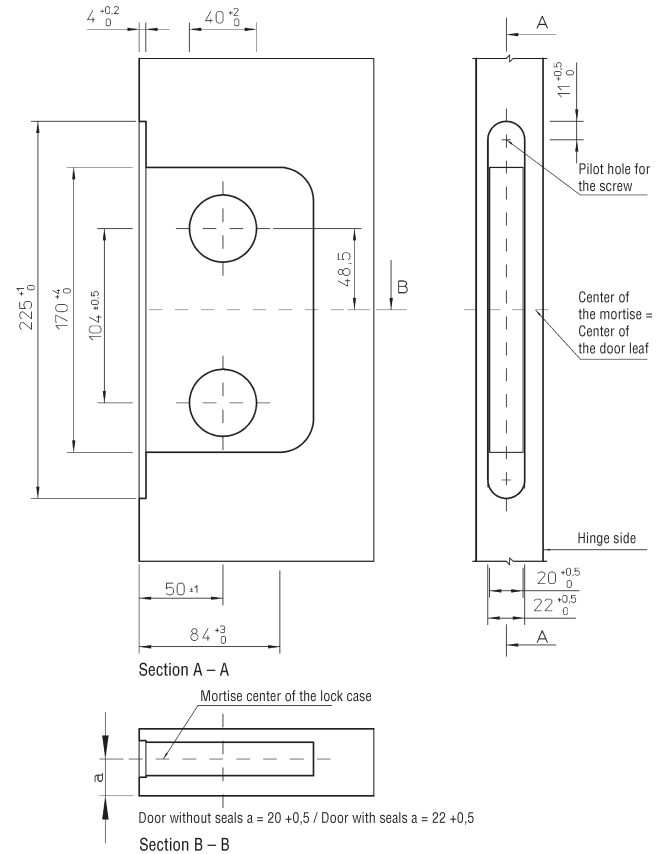
SFS 5208, SS 81 73 83
LC200, LC202, LC203, LC204, LC205, LC206, LC208,
LC209, LC209A, LC210, LC211, 4181, 4865



SFS 5209
LC100, 4190, 4190T, 4193, 4194, 4195, 4195T,
4197, 4290, 4960, 4960T

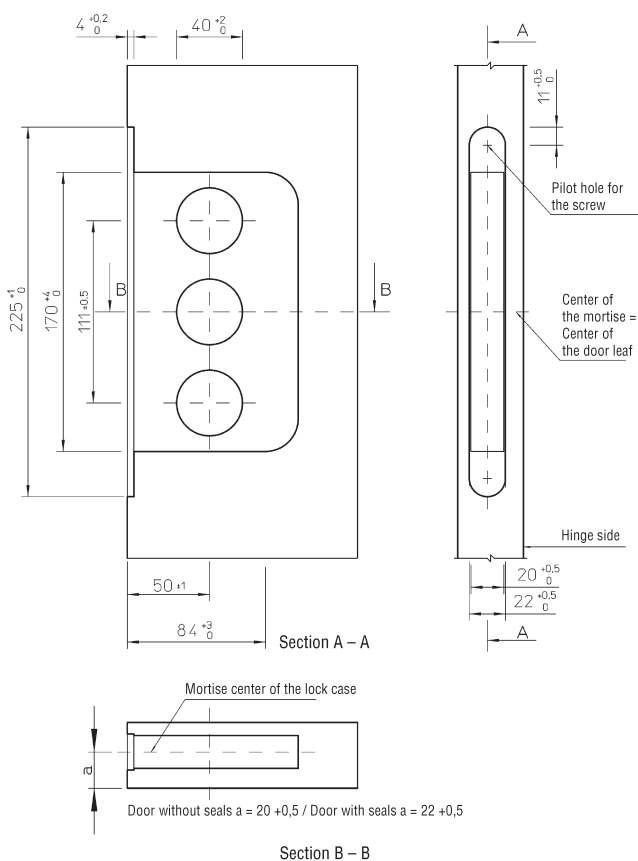


ABLOY® LC200 with wc fittings

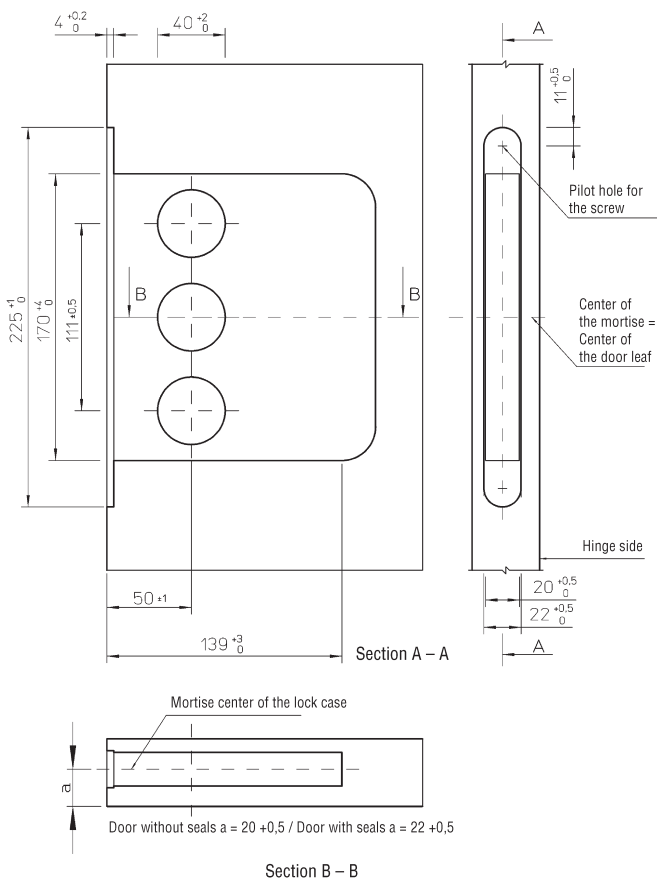


Lock cases for wooden / steel doors

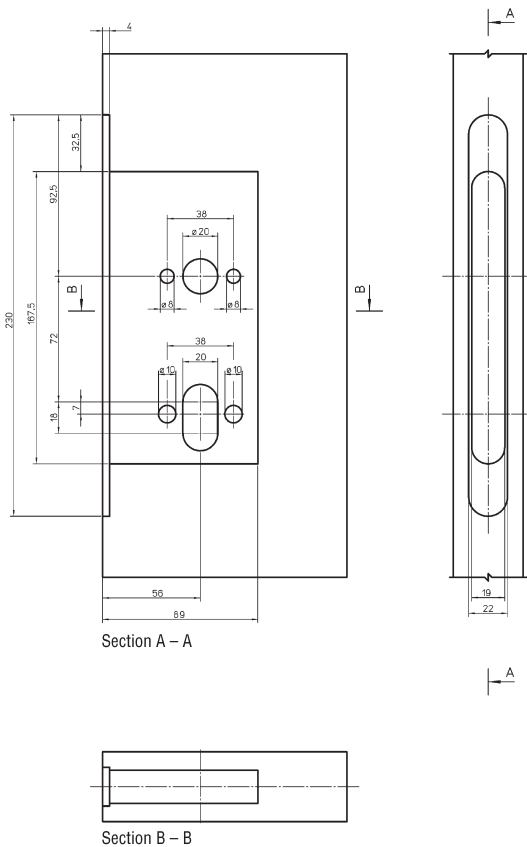
451S



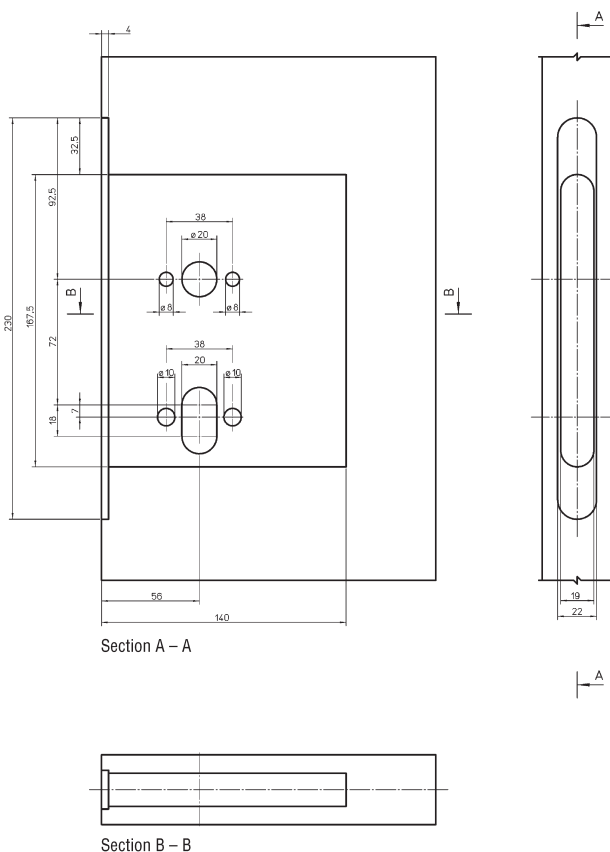
451SMP



4272



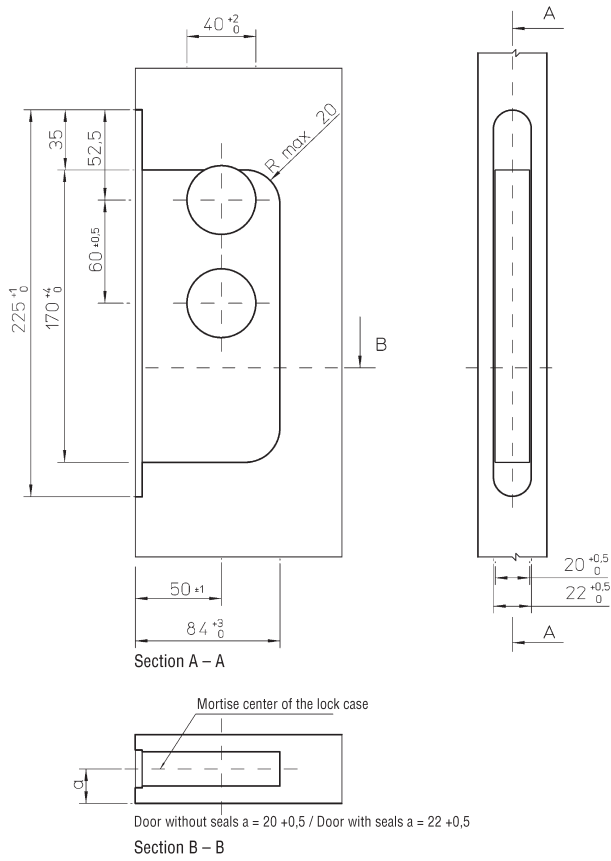
4272MP



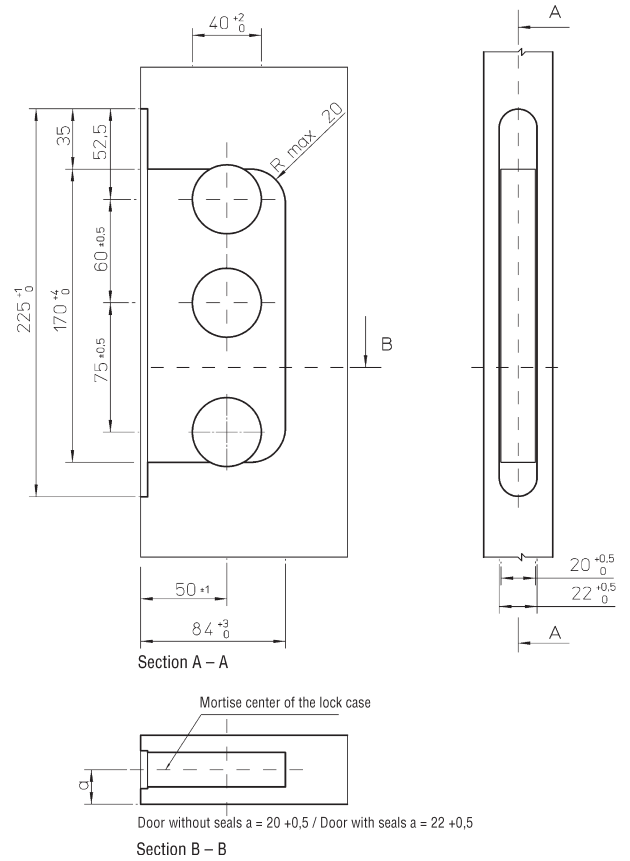
The mortise measures are normative.

Double cylinder lock cases for wooden / steel doors

LC120, LC122, LC125, LC125T, LC127

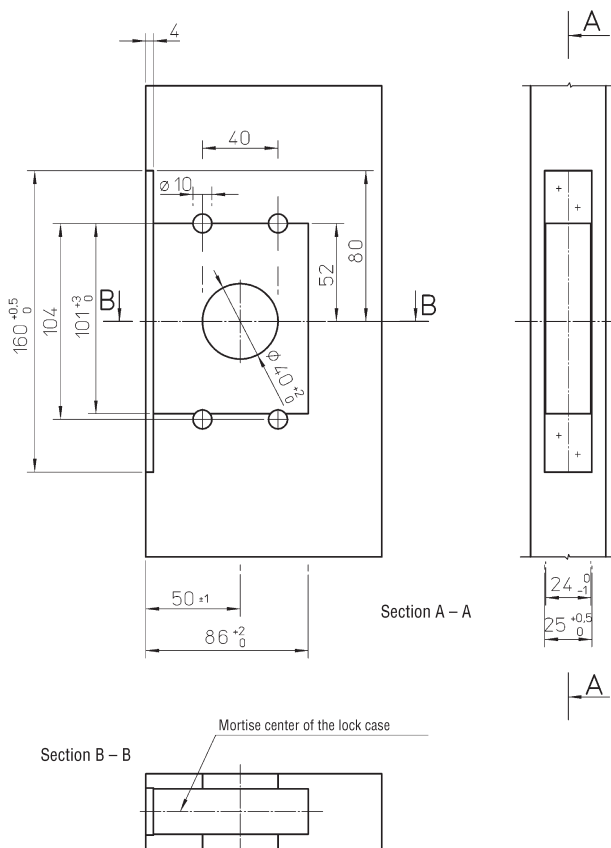


LC121, LC121T, LC123

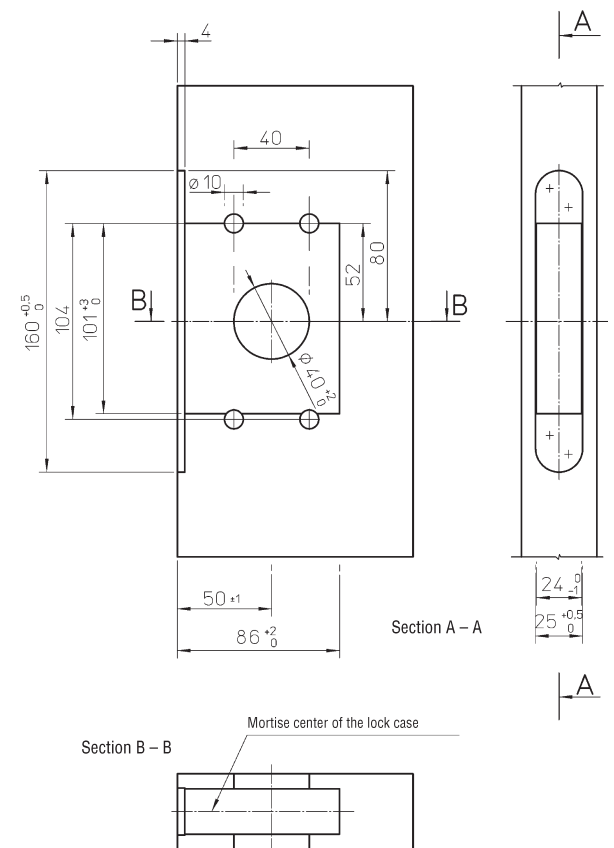


Security and additional locks for wooden/steel doors

SL900

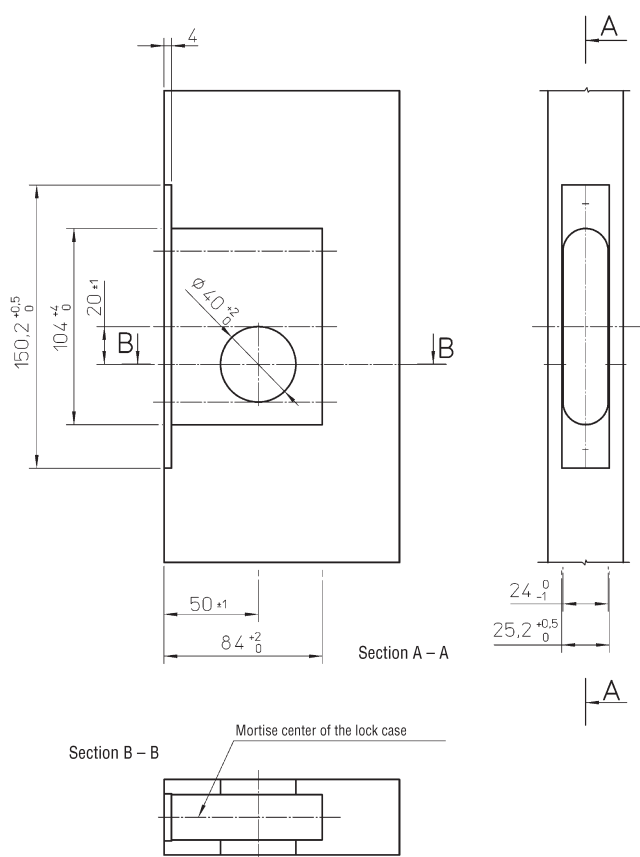


SL901

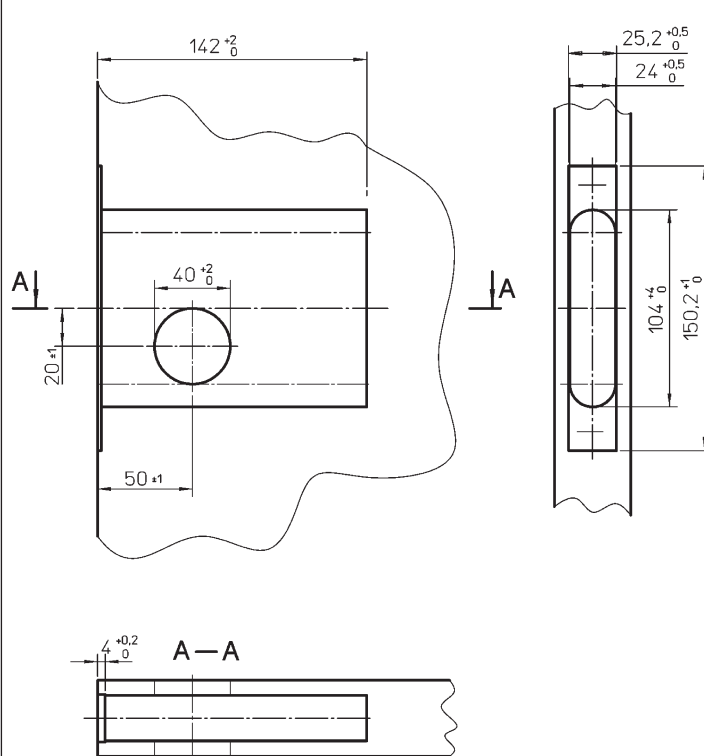


Security and additional locks for wooden/steel doors

428, SL905

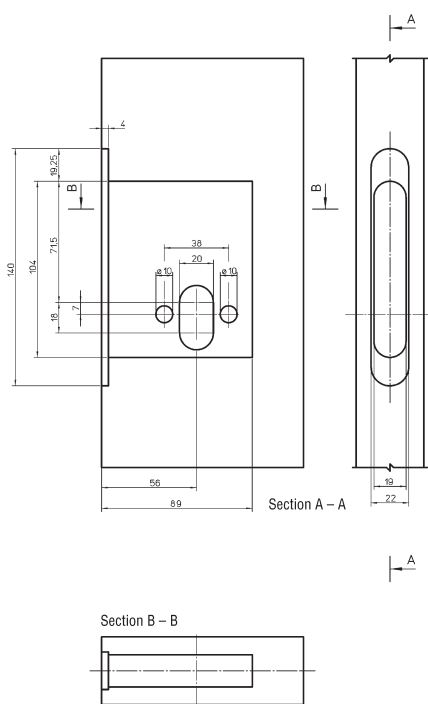


428MP, SL905MP

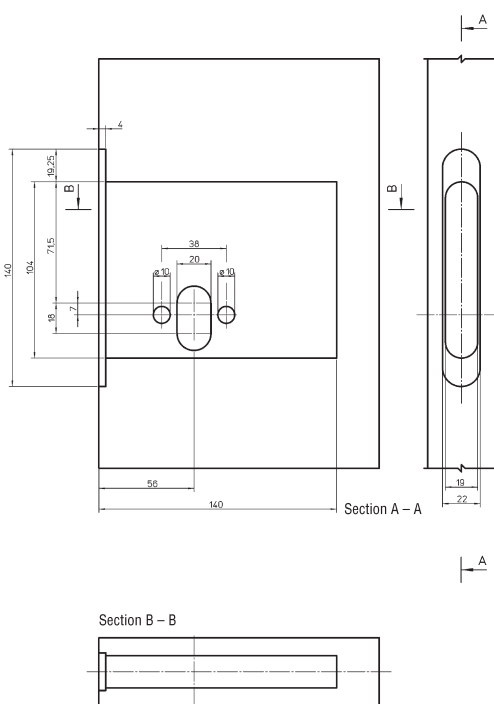


Security and additional locks for wooden/steel doors

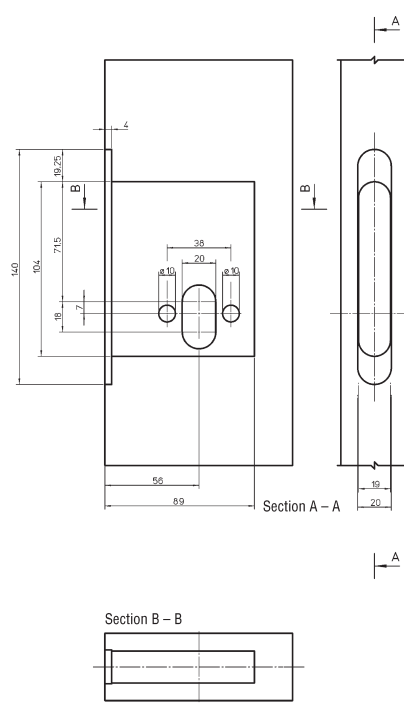
4232



4232MP



4233



Mortises

Security locks for narrow profile doors

LC306, LC306H, LC307, LC307H

Please check drilling scheme dimensions with actual dimensions on lock.

OUTSIDE **INSIDE** **OUTSIDE** **INSIDE** **FRONT** **FRAME**

ME200
ME216

ME201
ME202
ME214
ME215
ME217
ME219

LC306: -6H, -7, -7H / 30,5 C=26,5
LC306: -6H, -7, -7H / 35 C=31
Tolerances +0,5/-0

ME200: LC306 / 4655, (+8400) / CY064
ME201: LC306 / 4655, (+8400) / CY063
ME202: LC306 / 4655, (+8400) / CY065
ME219: LC306 / 4655, (+8400) / CY069 (inner doors only)

ME214: LC307 / 4655, (+8400) / CY044
ME215: LC307 / 4655, (+8400) / CY045
ME216: LC307 / 4655, (+8400) / CY046
ME217: LC307 / 4655, (+8400) / CY043

Lock cases for narrow profile doors

LC300, LC301, LC301F,
LC302, LC303, LC305

Please check drilling scheme dimensions with actual dimensions on lock.

OUTSIDE **INSIDE** **FRONT** **FRAME**

LC300, -1, -2, -3, -5 / 30,5 C=26,5
LC300, -1, -2, -3, -5 / 35 C=31
Tolerances +0,5/-0

2139 / LC302 / 4613, 4614 (+8400) / CY067
2239, ME204 / LC301 / 4613, 4614 (+8400) / CY067, CY044*
2338, ME206 / LC302 / 4613, 4614 (+8400) / CY067, CY044*
2339, ME208 / LC302 / 4613, 4614 (+8400) / CY068
2537, ME205 / LC302 / 4613, 4614 (+8400) / CY066, CY014*
2538, ME203 / LC300 / 4613, 4614 (+8400) / CY066, CY014*
2539, ME210 / LC305 / 4613, 4614 (+8400) / CY066, CY014*

ME207 / LC302 / 4613, 4614 (+8400) / CY047, CY045* / Handle, pull**
ME209 / LC303 / 4613, 4614 (+8400)
ME211 / LC305 / 4613, 4614 (+8400) / CY067, CY044*
ME212 / LC305 / 4613, 4614 (+8400) / CY047, CY045*
ME213 / LC305 / 4613, 4614 (+8400) / CY068
ME218 / LC301 / 4613, 4614 (+8400) / CY047, CY045*
LC303 / 4613, 4614 (+8400)

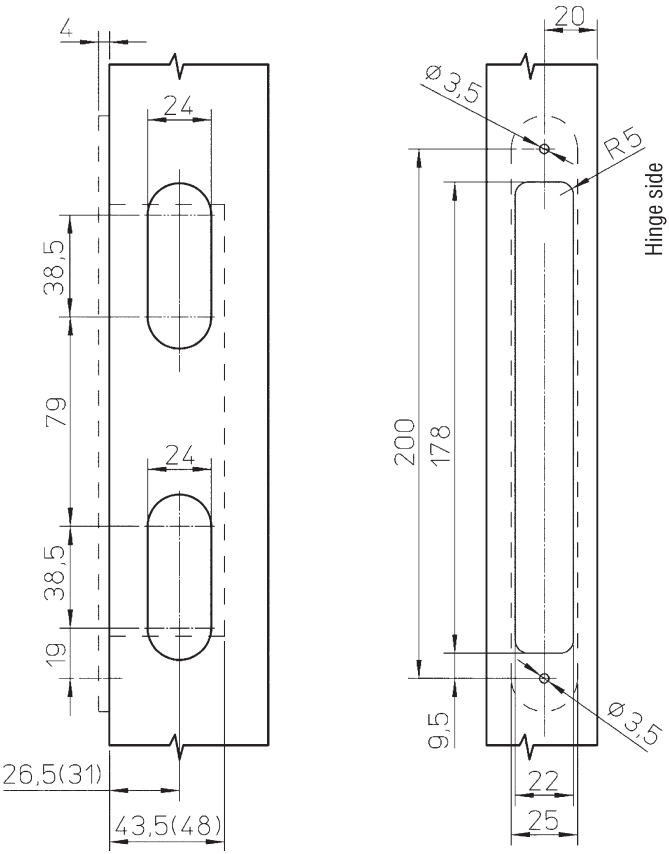
* Hardened outside cylinder ring ** See ABLOY Architectural hardware range

48

The mortise measures are normative.

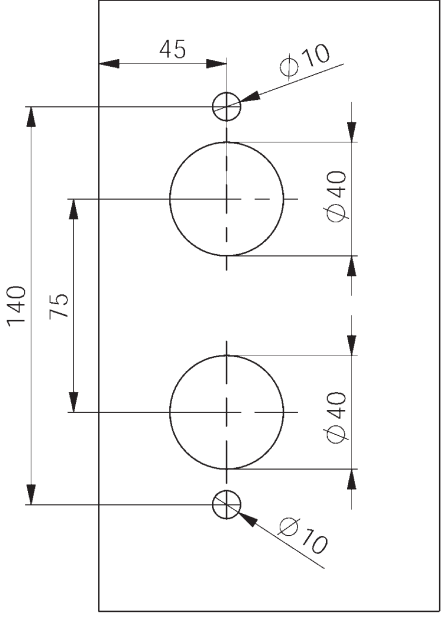
Double cylinder lock cases for narrow profile doors

LC130, LC131, LC132

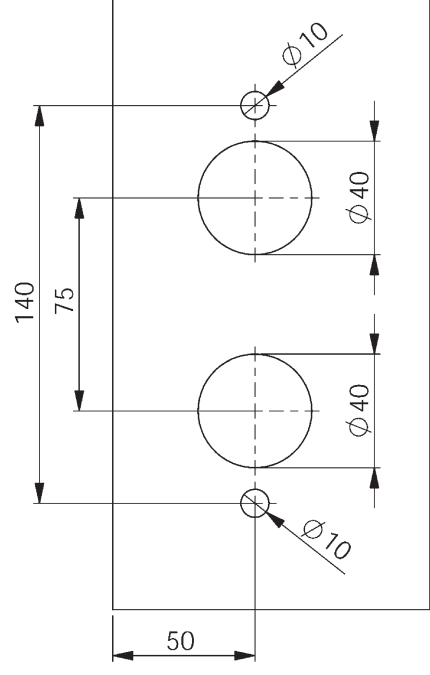


Installation accessories

2050



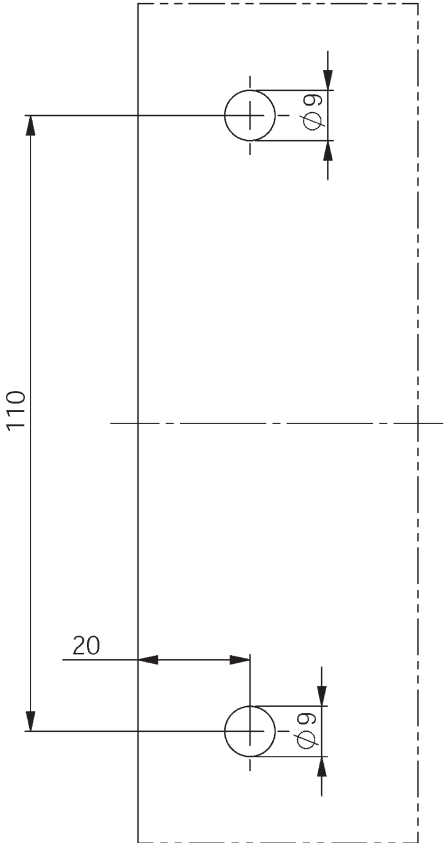
2051



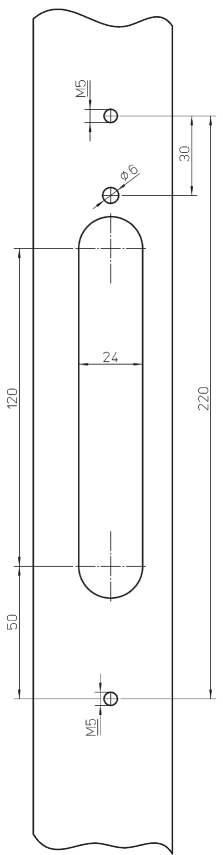
The mortise measures are normative.

Striker plates

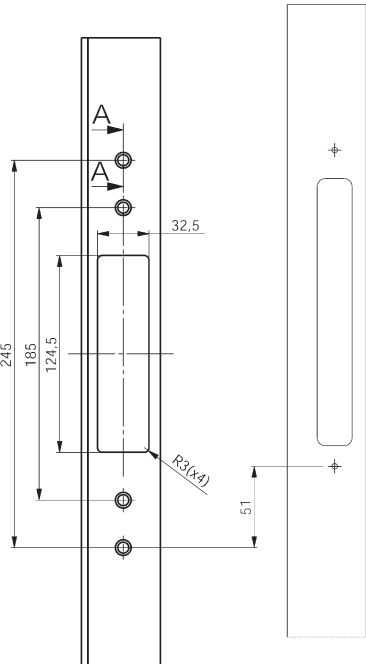
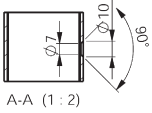
0050, 0051, 0052



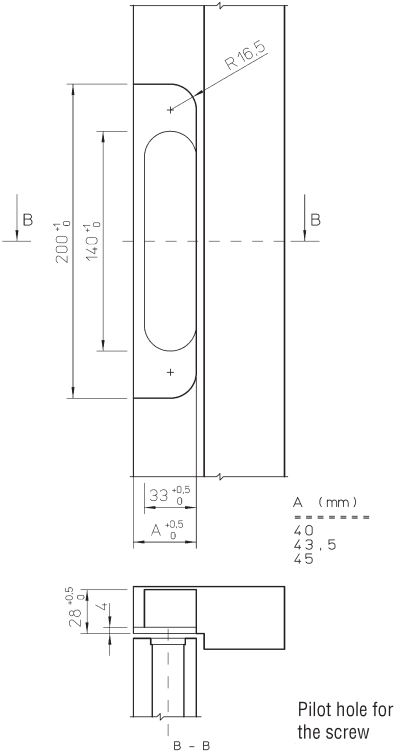
LP707



LP708

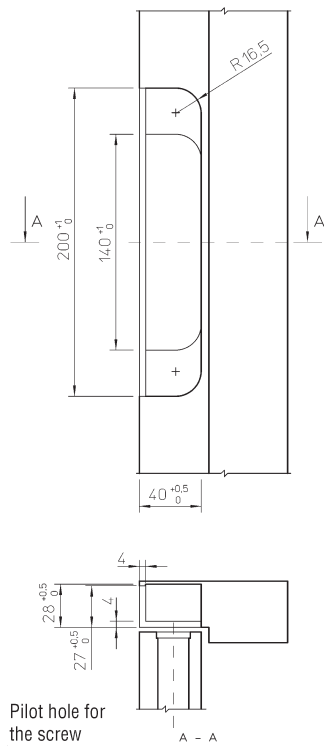


LP710, LP711, LP712, LP713, LP714, LP717, LP718, LP719, LP719I

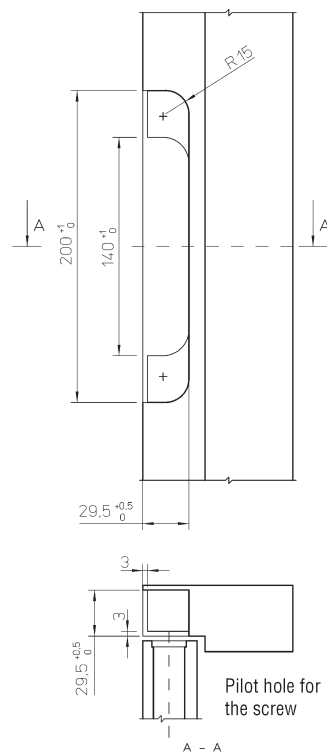


Striker plates

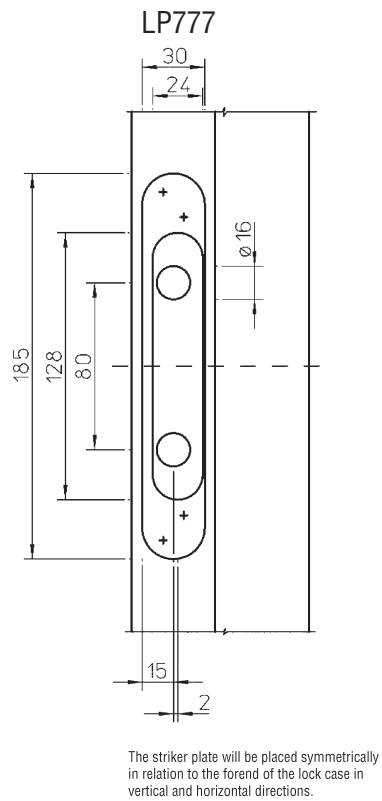
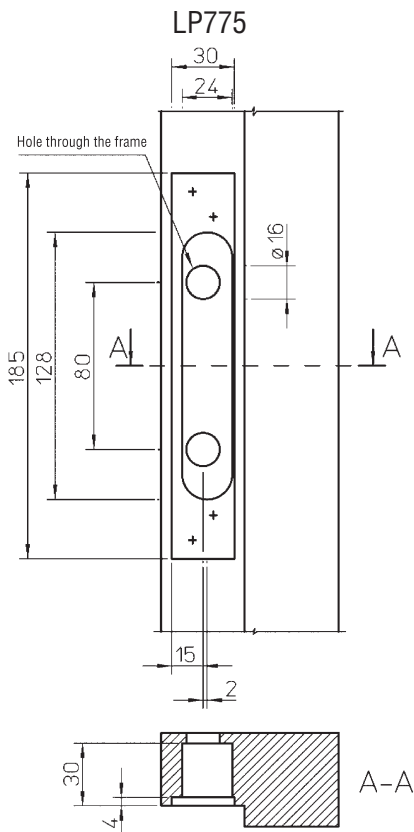
LP721, LP722, LP723



LP731, LP732



LP775, LP777

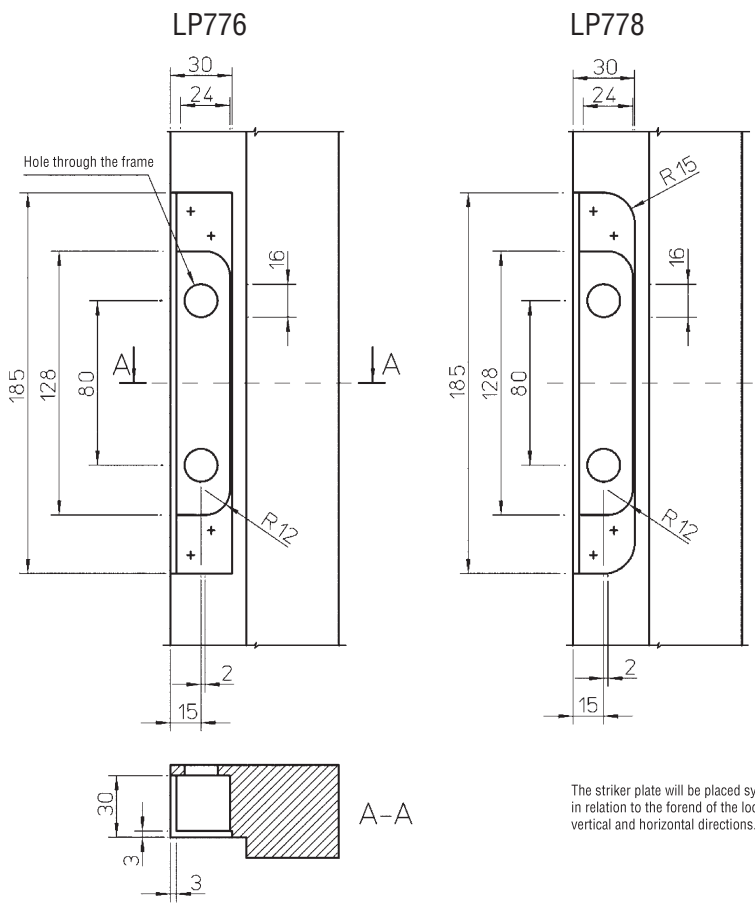


The striker plate will be placed symmetrically in relation to the forend of the lock case in vertical and horizontal directions.

The mortise measures are normative.

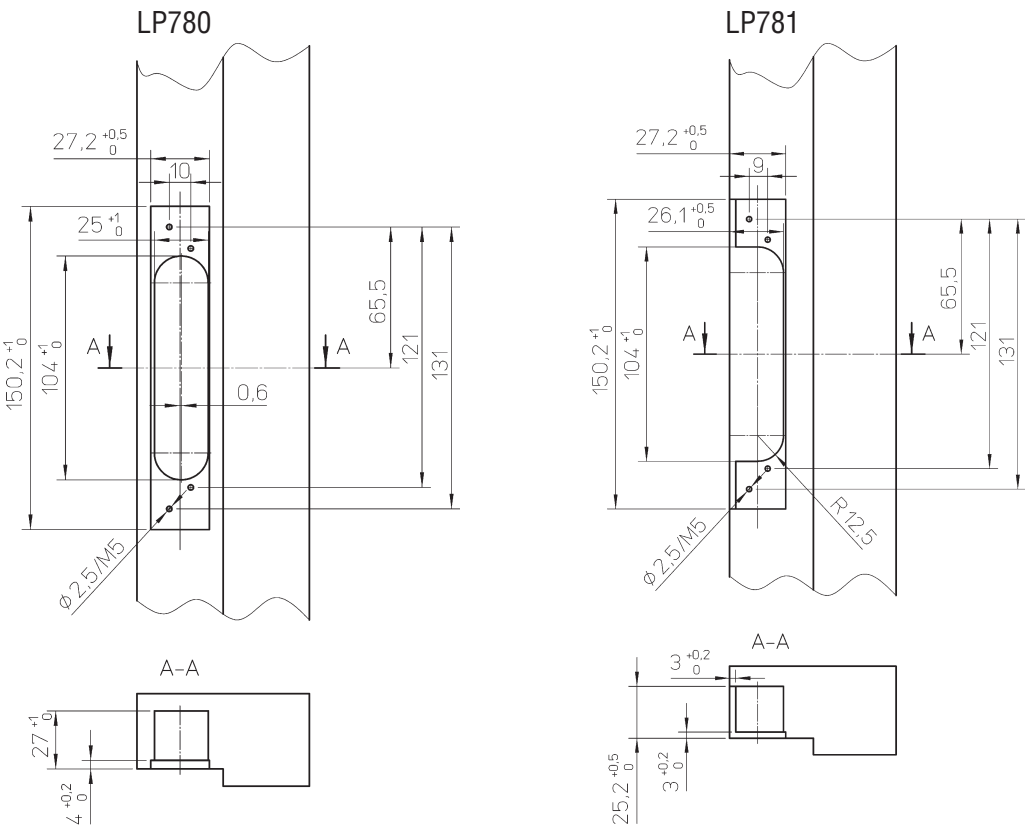
Striker plates

LP776, LP778



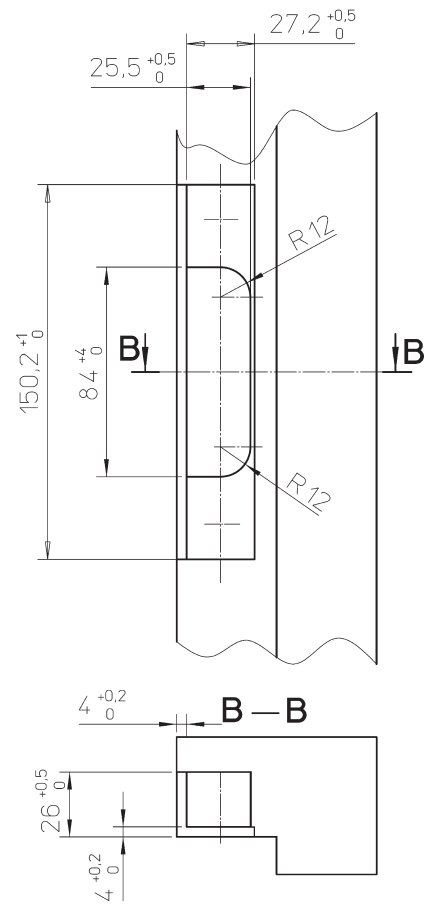
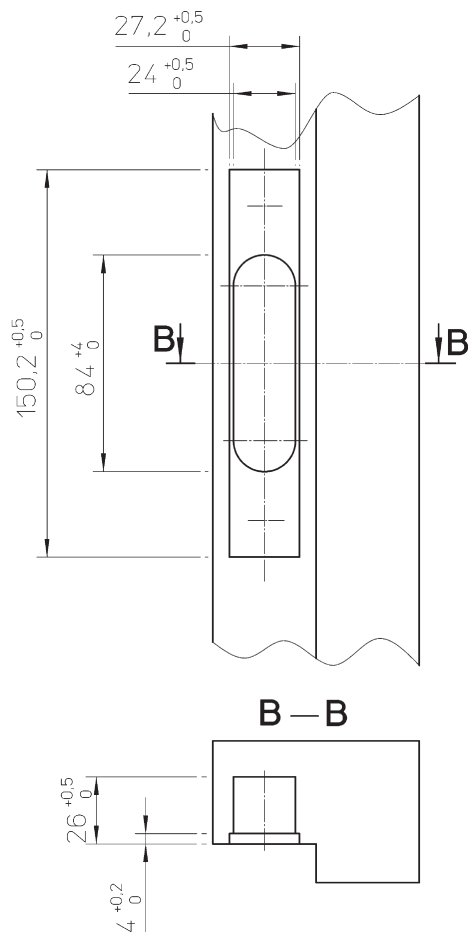
The striker plate will be placed symmetrically in relation to the forend of the lock case in vertical and horizontal directions.

LP780, LP781

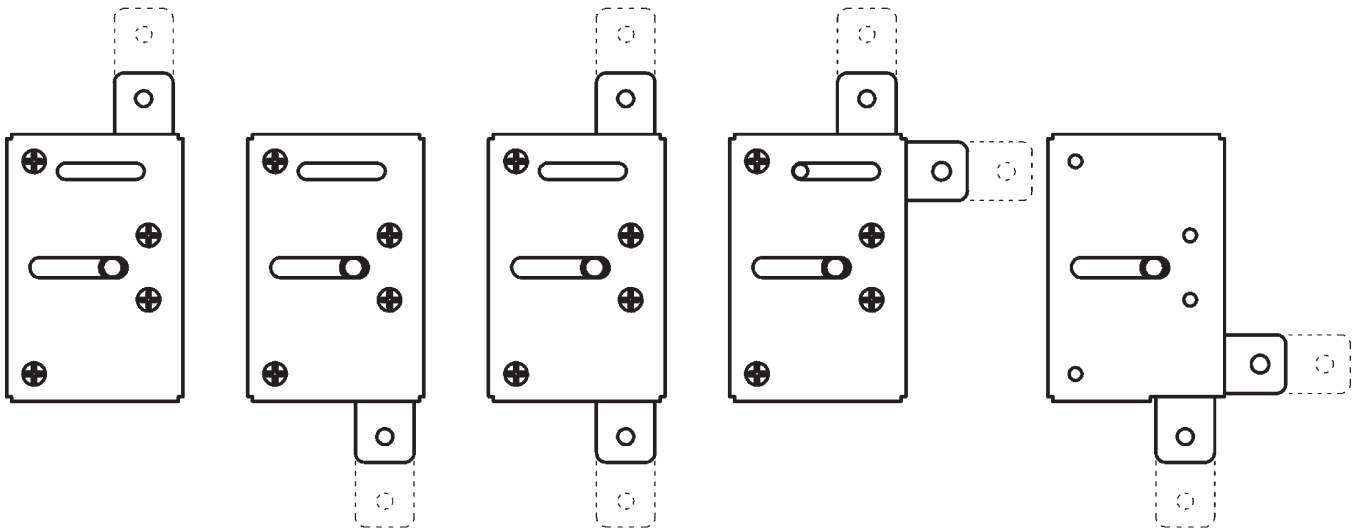


The striker plate will be placed symmetrically in relation to the forend of the lock case in vertical and horizontal directions.

The striker plate will be placed symmetrically in relation to the forend of the lock case in vertical and horizontal directions.



Multipoint locking applications





www.abloy.com

Björkboda Lås Oy Ab
25860 BJÖRKBODA, Finland
Tel. + 358 20 599 4402
+ 358 20 599 4436
Fax + 358 20 599 4249
+ 358 20 599 4117

