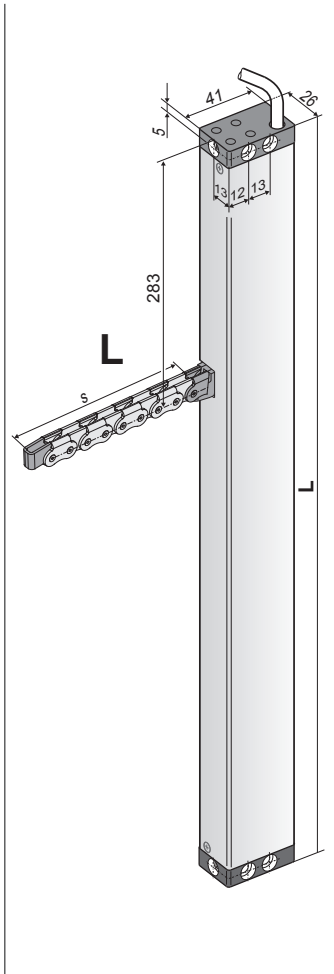




- Application: natural ventilation
- Internal Intelligent Control Electronics S12
- Parallel connection up to 8 drives in one group
- Z-Version: Programmable feedback limit position „OPEN“ and „CLOSE“ (max. 24 V, 500 mA)

Options

- Programmable synchronised run (max. 4 drives) and special functions



TECHNICAL DATA

U_N Rated voltage 230V AC (50 Hz)

I_N Rated current 0,13 A

I_A Cut-off current 0,2 A

P_N Rated power 30 W

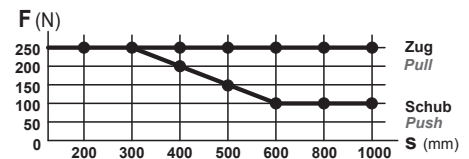
ED Duty cycle 30 % (ON: 3 min/OFF: 7 min.)

Protection rating IP 32

Ambient temperature range -5 °C ... +75 °C

F_Z Pulling force max. 250 N

F_A Pushing force



s > 600 mm only for pulling application

F_H Pullout force 1.800 N (fastening depended)

Chain Stainless steel, without protruding rivet heads. Simple connection to casement brackets. Small bending radii allow maximum opening angles of small windows.

Connecting cable non-halogen, grey 6 x 0,75 mm², ~ 3 m

v Speed 8,0 mm/s 8,0 mm/s

s Stroke 50 – 1000 mm (± 5 %)

L Length see order data

Sound pressure level A ≤ 70 dB (A)

ORDER DATA							
s [mm]	L [mm]	Version	Finish	PU/pcs.	Part.-No.		
200	475	KS2 200 S12 230V L	E6/C-0	1	494120		
		KS2 200 S12 230V L Z	E6/C-0	1	494123		
300	520	KS2 300 S12 230V L	E6/C-0	1	494130		
		KS2 300 S12 230V L Z	E6/C-0	1	494133		
400	570	KS2 400 S12 230V L	E6/C-0	1	494140		
		KS2 400 S12 230V L Z	E6/C-0	1	494143		
500	685	KS2 500 S12 230V L	E6/C-0	1	494150		
		KS2 500 S12 230V L Z	E6/C-0	1	494153		
600	685	KS2 600 S12 230V L	E6/C-0	1	494160		
		KS2 600 S12 230V L Z	E6/C-0	1	494163		
800	765	KS2 800 S12 230V L	E6/C-0	1	494180		
		KS2 800 S12 230V L Z	E6/C-0	1	494183		

OPTIONS							
Special model				PU/pcs.	Part.-No.		
Drive housing painted/powder coated in other RAL colours							
Lump sum for coating					516030		
Specify at order stage:				1 – 20	516004		
				21 – 50	516004		
				51 – 100	516004		
				up 101	516004		
Extra length connecting cable:							
5 m – non-halogen, grey – 6 x 0,75 mm ²					501164		
10 m – non-halogen, grey – 6 x 0,75 mm ²					501166		
Microprocessor programming S12							
Programming synchronised multi-drive systems 230V S12					495588		
Electronic stroke reduction 230V S12					495590		
Programming drives 24V / 230V S12					524180		