

STEP

När det
måste fungera.



STEP
40
PRELOAD

Standard electric strike with preload technology

STEP 40 Preload sets a new and higher standard for day locking with normal security requirements. The famous STEP quality, preload technology, and the small dimensions make STEP 40 Preload the obvious choice.

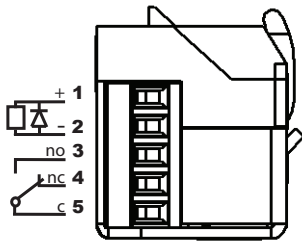
Operational reliability that works for real

The Preload range combines minimal dimensions with standout performance for doors with normal security requirements. The electric strike has very high operational reliability and has been tested for high opening frequency.

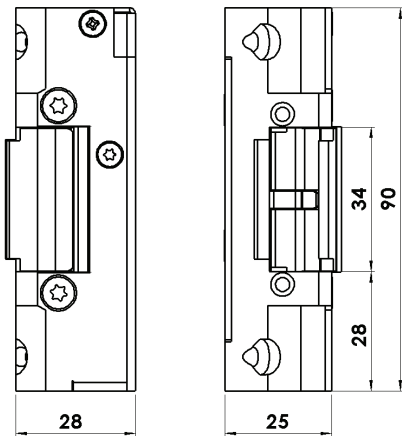
STEP 40 Preload can be adjusted so that the electric strike function can easily be selected and changed during installation. The electric strike can quickly be changed from the fail secure to fail safe function for greater flexibility and lower handling costs.

Aesthetic assembly

There is a large selection of faceplates available for STEP 40 Preload in stainless steel, ensuring each door works optimally. With its small dimensions, the electric strike requires only minor adjustments to fit into the opening for the door frame's standard strike.



Connection takes place using a screw terminal block. Built-in protector diode.



Minimal dimensions allow the electric strike to fit into the frame easily.



According to the Scandinavian standard, the door lock must be a single or double latch lock.

Preload – A unique preload technology

STEP 40 Preload a preload technology that offers the following benefits:

- Sealing strips and pressure differences – The preload function ensures that the door can always be unlocked even if the door lock is exerting tension against the electric strike.
- Automatic door control – The preload function, combined with the quick unlocking feature means that the door can be opened quickly without a risk of getting stuck.
- Emergency exit door - The preload function ensures that the fire alarm can release the lock, even if there is pressure against the door from a crowd, sealing strips, pressure differences or warped doors.

Technical data

Power consumption

Fail secure/Fail safe function	
24V DC \pm 10%	12V DC \pm 10%
110mAh / max 300mA	220mAh / max 600mA

Article number

ST40	Fail secure function 24V DC
ST40-12	Fail secure function 12V DC
ST400	Fail secure function 24V DC incl. bolt contact
ST400-12	Fail secure function 12V DC incl. bolt contact
ST41	Fail safe function 24V DC
ST41-12	Fail safe function 12V DC
ST401	Fail safe function 24V DC incl. bolt contact
ST401-12	Fail safe function 12V DC incl. bolt contact
ST45	Adjustable fail secure-fail safe function 24V DC
ST45-12	Adjustable fail secure-fail safe function 12V DC
ST405	Adjustable fail secure-fail safe function 24V DC incl. bolt contact
ST405-12	Adjustable fail secure-fail safe function 12V DC incl. bolt contact

- Micro switch single pole alternating, Max. 30V DC, 1A
- Built-in protector diode
- Built-in indication for detecting that the door is closed/open (bolt contact).
- Breaking strength 900 kN (900 kg)
- Guaranteed to open even with preload in fail secure and fail safe function
- Anti-hammer secure
- Adjustable to fit right and left doors

Suitable lockcases

Single and double latch locks in the Connect range

Single and double latch locks in the Modular range

Single and double latch locks in the Smalprofil range

STEP
40
PRELOAD