

ABLOY® KEY CYLINDER PLATFORMS

Inspired technology, unbeatable performance. Flexibility and security combine in Abloy's comprehensive range of sleek and effective door cylinders.



Uniclass L41818
CI/SfB (31.59) Xt7

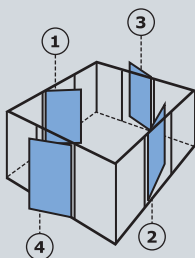
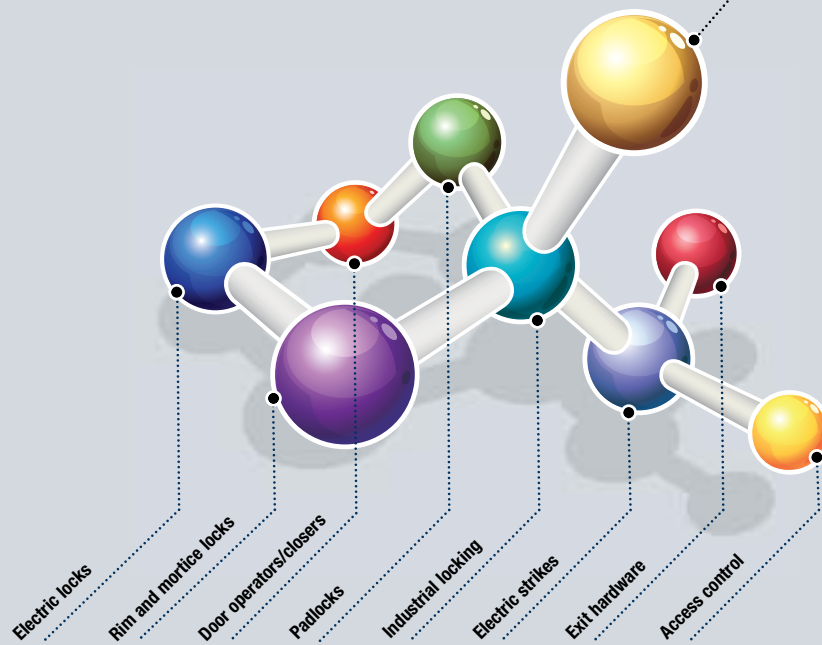
VERSION: AUGUST-11

Integrated door control solutions... it's in our DNA

ABLOY® door cylinders are at the core of many locking solutions protecting vital assets in the UK and we are pleased to welcome you to this catalogue of our products.

Our door cylinders are just part of Abloy UK's total service, with a wide range of products and capabilities that integrate perfectly - like our molecular diagram below - to provide a complete door security and functionality solution. There is a catalogue for every category below or you can find our products online at www.abloy.co.uk.

To gain advice or expertise with planning, specification and implementation of any door solution, call us on +44(0)1902 364500.



Handing

The correct hand of a door can be selected using this diagram. Standing inside the box looking out, choose your door hand from 1 to 4, determined by the hinge side and if the door opens inwards or outwards.



The key flag logo confirms that Abloy products have a Finnish origin

Finnish-made ABLOY® products are known worldwide for their high quality and performance; globally ABLOY® is the leader in high quality locking solutions. You can be confident that the products in this catalogue have been manufactured in Finland to the highest standards.

Choice... security... functionality

Abloy door cylinders

Whether you want to install a brand new locking system or integrate new components within an existing system, ABLOY® door cylinders provide a stylish and functional solution. Available in a wide range of types, including Euro Profile, UK Oval, Scandinavian Oval and Finnish Round, each door cylinder is built using Abloy's cutting edge technology and is suitable

For use in a variety of settings, from rim and mortice to electric lockcases, or even as retrofit in existing lockcases.

Abloy's Protec and Novel two-way operation makes them suitable for use with existing lockcases.

All ABLOY® door cylinders can be adapted for varying security levels and are suitable for use within a master key hierarchy, as well as being keyed alike or supplied with individual keys.

No matter what the application, we can offer a range of door cylinders to suit your needs, with selected cylinders meeting EN1303 standards.

EN1303

Under BS EN1303:2005 Abloy cylinders achieve the highest ratings possible, standard cylinders rating Grade 6 for Key Security and Level 1 for attack resistance with our hardened cylinders achieving Grade 6 for Key Security and Level 2 for attack resistance.



Which cylinder is best for you?

The chart shows Abloy's cylinders placed in relation to their functionality and security level



Protec

This two way mechanism incorporates all the latest technology and is fully patented in the UK and Ireland until 2019.

- A virtually pickproof mechanism that's impossible to manipulate
- Exceptionally smooth key entry and operation
- Thin, light but incredibly strong key
- Extensive master keying possibilities
- Can be master keyed and keyed alike with cylinders, cam and furniture locks as well as padlocks.
- Choice of security levels

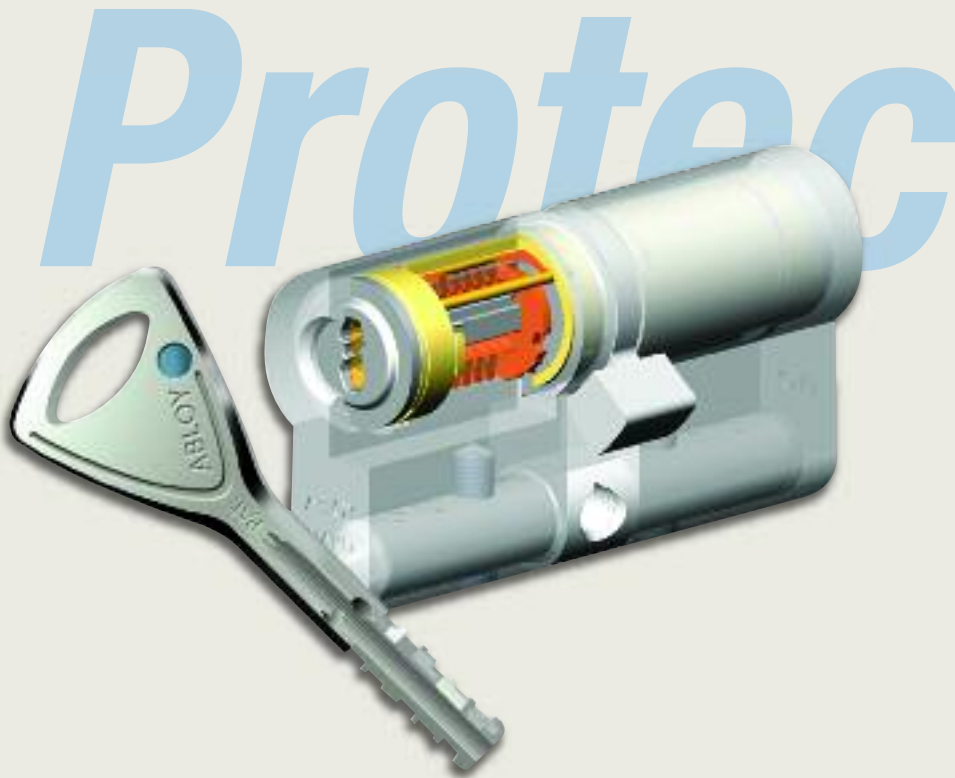
Protec



Product Statement

All ABLOY® cylinders use a rotating disc principle and are therefore immune to the practice of "bumping".

This technique involves the manipulation of the pins inside the lock and, as ABLOY® cylinders do not use pins, this technique is totally ineffective.



Locks available with Protec mechanisms



To order a Protec mechanism, add /PT after the part number

Sentry

The latest one way mechanism dedicated to padlocks, cam and furniture locks operating with a strict key registration system, ensure that keys cannot be cut without the correct authorisation.

Recommended as an upgrade to the earlier CLASSIC, HIGH PROFILE and EXEC systems,

SENTRY has considerable advantages over its predecessors.

- A bump proof mechanism
- A smoother more reliable operation
- 365 million different combinations and master keying possibilities

- A large symmetrical double sided key makes key entry much easier
- A patent in the UK and Ireland on the mechanism and key until 2027 ensures against the unauthorised copying of keys

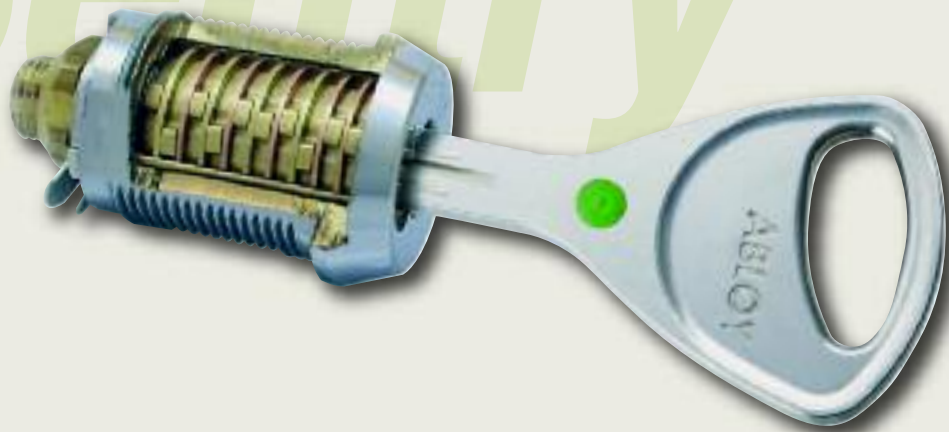
Product Statement

All ABLOY® cylinders use a rotating disc principle and are therefore immune to the practice of "bumping".

This technique involves the manipulation of the pins inside the lock and, as ABLOY® cylinders do not use pins, this technique is totally ineffective.



Sentry



Locks available with Sentry mechanisms



Available from October '11

To order a Sentry mechanism, add /SY after the part number



Novel

Novel is a new 2-way cylinder mechanism from ABLOY® designed to provide cost effective security - but retain the renowned ABLOY® strength and quality known the world over.

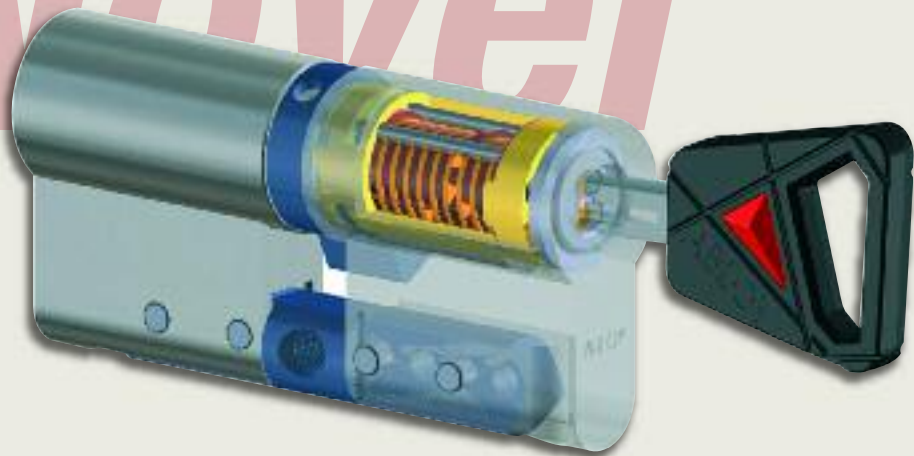
- Patented cylinder and key structure in the UK and Ireland until 2027
- Patented feature is AWS, Anti-Wear-System. AWS is an arrangement in the cylinder and key, which minimizes the effect of wear to the cylinder operation

- Two-way operation of cylinder
- Controlled key duplication
- Plastic key bow with new design
- Range includes all common door cylinders, plus a smaller range of padlocks

Product Statement

All ABLOY® cylinders use a rotating disc principle and are therefore immune to the practice of "bumping".

This technique involves the manipulation of the pins inside the lock and, as ABLOY® cylinders do not use pins, this technique is totally ineffective.



Locks available with Novel mechanisms



Available from August '11

To order a Novel mechanism, add /NL after the part number



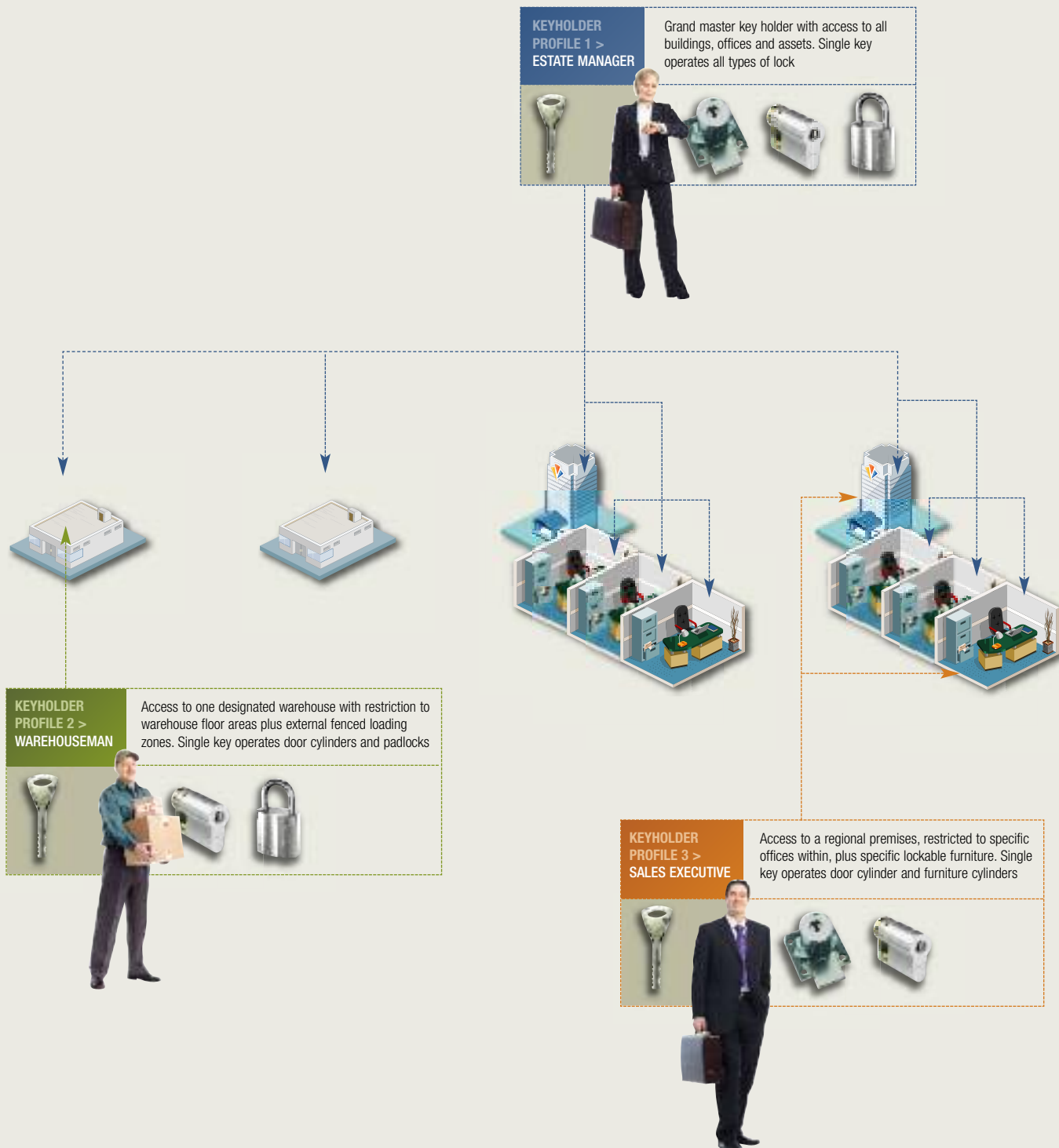


Master key solutions through Abloy cylinder mechanisms

ABLOY® key mechanisms are particularly suited to master key suites, providing keyholding simplicity to often complex requirements. The simplest solution is a master key system with all locks operated by individual keys and an overriding master key operating all locks. Our solutions also encompass highly sophisticated key architecture, providing multi-level restriction with multiple master keys operating

across many sites, overridden by a single grand master key.

A snapshot within a typical master key solution is illustrated below, with the level of key access dictated by seniority of position in the organisation as well as by access requirements.



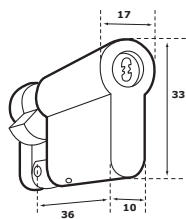
All euro profile cylinders meet EN1303 and are supplied with Protec/Novel mechanisms

▼
CY326

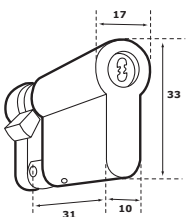
Single cylinder
Grade 6, level 1

▼
CY336

Single cylinder (hardened steel)
Grade 6, level 2



CY326/CY336



CY321/CY331†

▼
CY321

Single cylinder
Grade 6, level 1

▼
CY331

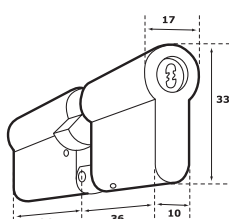
Single cylinder (hardened steel)
Grade 6, level 2

▼
***CY327**

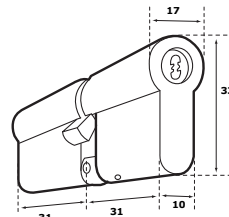
Double cylinder
Grade 6, level 1

▼
***CY337**

Double cylinder (hardened steel outside)
Grade 6, level 2



CY327/CY337



CY322/CY332†

▼
***CY322**

Double cylinder
Grade 6, level 1

▼
***CY332**

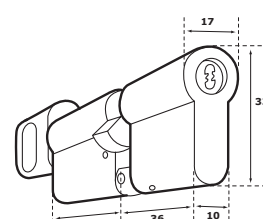
Double cylinder (hardened steel outside)
Grade 6, level 2

▼
CY328

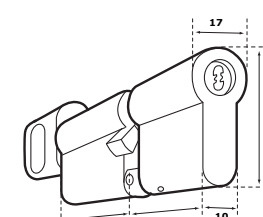
Single cylinder/thumbturn
Grade 6, level 1

▼
CY338

Single cylinder/ thumbturn (hardened steel)
Grade 6, level 2



CY328/CY338



CY323/CY333†

▼
CY323

Single cylinder/thumbturn
Grade 6, level 1

▼
CY333

Single cylinder/thumbturn (hardened steel)
Grade 6, level 2

EXTENSION COMPONENTS	CY326	CY336	CY321	CY331
	CY327	CY337	CY322	CY332
	CY328	CY338	CY323	CY333

(5mm increments)
41-86mm

• •

(10mm increments)
86-130mm

•• ••

• Standard •• Special Order

MATERIALS/FINISHES	CY321	CY326	CY331	CY336
	CY322	CY327	CY332	CY337
	CY323	CY328	CY333	CY338

Housing & Plug:
Brass
Steel

• •

Finish:

Satin Chrome
Bright Chrome
Brass

• • • •
•• •• • •
• •

• Standard •• Special Order

*supplied with emergency function as standard

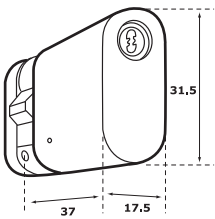
†Notes on cylinder length:

- For the hardened steel variant, add 1mm
- For the Novel variant, add 1mm

All UK oval cylinders meet EN1303 and are supplied with Protec/Novel mechanisms

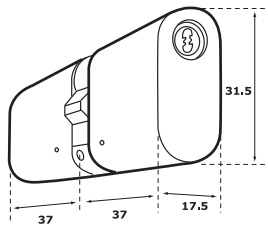
▼
CY310

Single cylinder
Grade 6, level 1



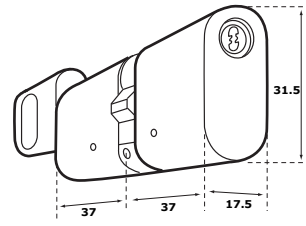
▼
CY311

Double cylinder
Grade 6, level 1



▼
CY312

Single cylinder/thumbturn
Grade 6, level 1



MATERIALS/FINISHES	CY310 CY311 CY312
--------------------	-------------------------

Housing & Plug:

- Brass •
- Steel •

Finish:

- Satin Chrome •
- Bright Chrome ••
- Brass •

- Standard
- Special Order

EXTENSION COMPONENTS	CY310 CY311 CY312
----------------------	-------------------------

(5mm increments)
42-62mm
over 62mm

-
-

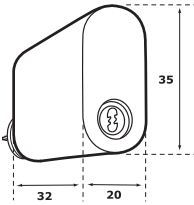
- Standard
- Special Order

Scandinavian oval cylinders meet EN1303 and are supplied with Protec/Novel mechanisms



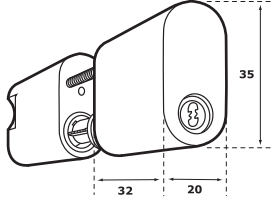
CY201

Single cylinder
Grade 6, level 1



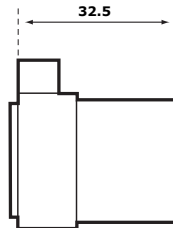
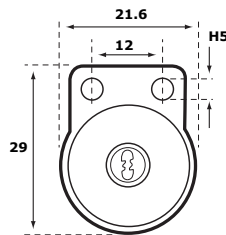
CY202

Double cylinder
Grade 6, level 1



CY055

Single cylinder, outside.
For use with automatic deadlocks



CY057

Single cylinder, outside.
For use with key operated deadlocks



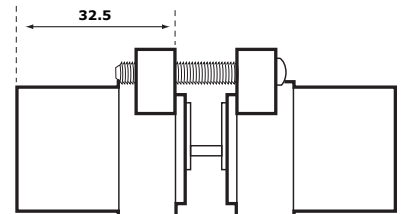
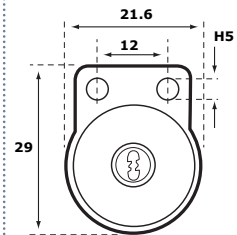
CY058

Single cylinder, inside.
For use with key operated deadlocks



CY059

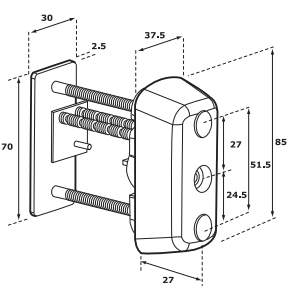
Double cylinder
For use with automatic or key operated deadlocks



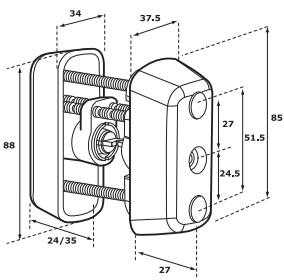
N.B. Use these codes only for ordering replacement cylinders

For cylinders complete with necessary fittings see pages 11, 12 and 13

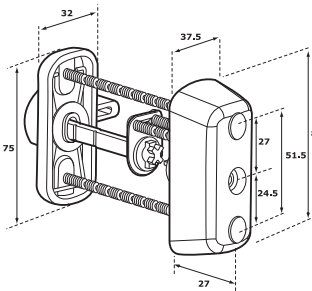
▼
CY063
Outside cylinder
Cylinder included



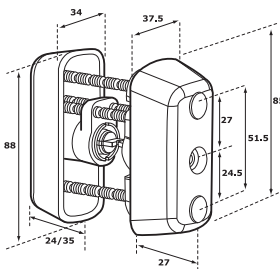
▼
CY065
Double cylinder
Cylinders included



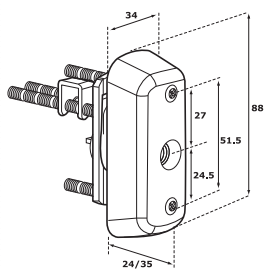
▼
CY066
Cylinder and thumbturn
Cylinder included



▼
CY067
Double cylinder
Cylinders included



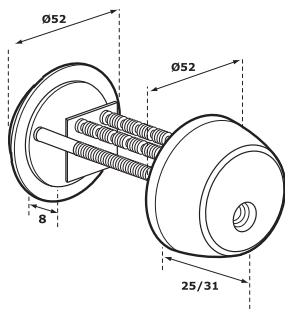
▼
CY068
Inside cylinder
Cylinder included



Finnish Round cylinders and fittings are supplied with Protec/Novel mechanisms

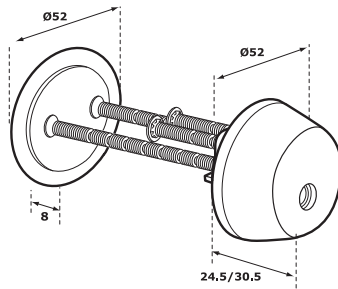
▼ CY060

Outside cylinder
Cylinder included



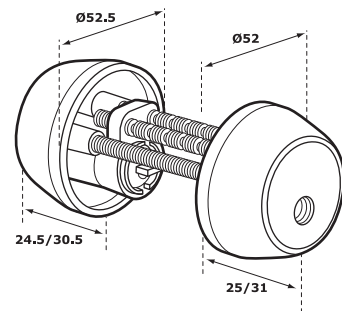
▼ CY016/plate 1

Outside cylinder with
blanking plate
Cylinder included



▼ CY062

Double cylinder
Cylinders included



	CY001 CY002 CY016/ plate 1	CY066 CY067 CY068	CY060 CY062 CY063 CY065	CY055 CY056 CY057 CY058 CY059
MATERIALS & FINISHES				
Housing & Plug:				
Brass	•	•		•
Finish:				
Satin chrome	••	••		••
Bright chrome	••	••		••
Brass	••	••		••
Cylinder ring:				
Brass	•	n/a	n/a	n/a
Case hardened steel	•	•	•	n/a
Steel (not hardened)		n/a	•	n/a

SCANDINAVIAN OVAL AND FINNISH CYLINDER COMPATIBILITY

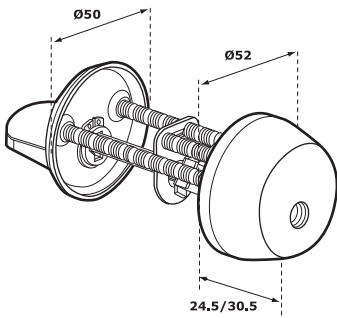
LOCKCASE	CY001	CY002	CY016/ plate 1	CY060	CY062	CY063	CY065	CY066	CY067	CY068	CY201 6407
4190/5/7	•	•	•								
4193				•							
4960	•	•	•								
4922								•	•	•	
4921									•		
4956						•	•				
4181				•	•						



CY001

Cylinder and thumbturn

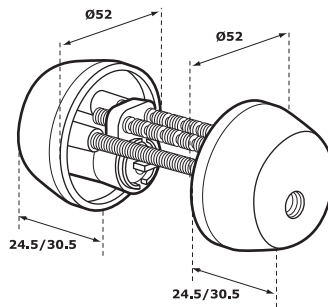
Cylinder included



CY002

Double cylinder

Cylinders included



**COMPONENTS
MECHANISMS**

CY001, CY002, CY016/plate1,
CY055, CY056, CY057, CY058,
CY059, CY060, CY062, CY063,
CY066, CY067, CY068

Extension components:

Spacer 1 •

Mechanisms:

NOVEL (N) •
PROTEC (PT) •

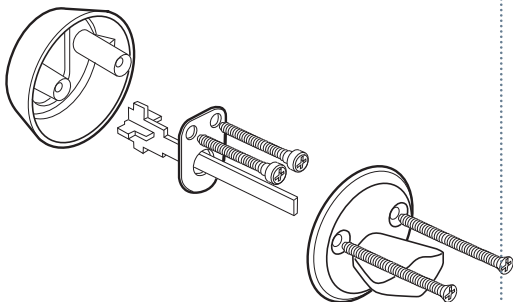
- standard
- special order

Finnish round cylinders and fittings are supplied with Protec/Novel mechanisms



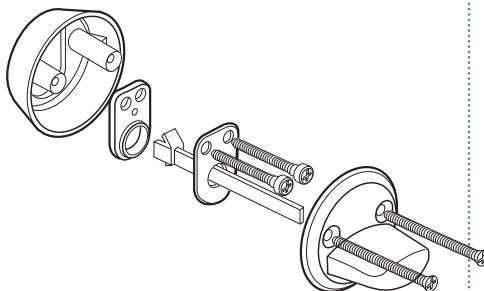
6401

Cylinder not included
Single with turn (ASSA).
For use with CY201



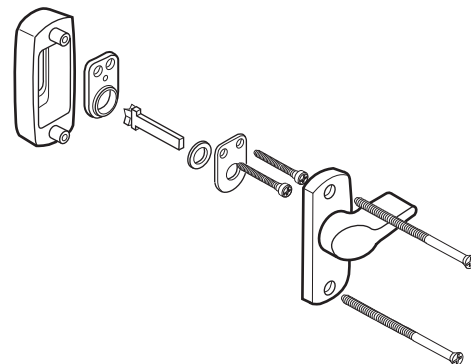
6407

Cylinder not included
Single with turn (ABLOY).
For use with CY201



6411

Cylinder not included
Single with turn (narrow stile).
For use with CY201



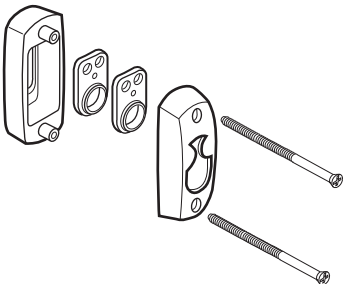
MATERIALS/FINISHES	CY201 CY202	6411 6407 6412	6401
Housing & plug:			
Brass	••	n/a	n/a
Finish:			
Satin chrome	••	n/a	•
Bright chrome	•	•	n/a
Brass	•	n/a	n/a

- standard
- special order

Use extension component 6177 with Scandinavian oval cylinders

**6412**

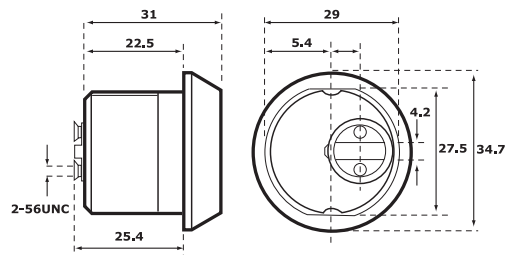
Cylinder not included
Double (narrow stile).
For use with CY202

**CY404/2****CY402/2**

CY404/2 Grade 6, level 1
CY402/2 Grade 6, level 2
(hardened steel)
Double cylinder
Includes: spring loaded rose (SCP
only) and Adams Rite cam

**CY404****CY402**

CY404 Grade 6, level 1
CY402 Grade 6, level 2 (hardened
steel)
Single cylinder
Includes: spring loaded rose (SCP only)
and Adams Rite cam

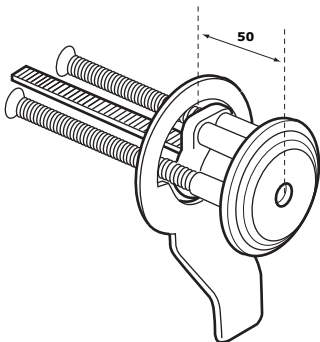


All rim cylinders are supplied with Protec/Novel mechanisms



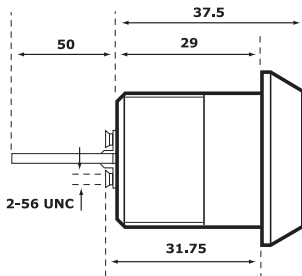
CY053

Standard for ABLOY



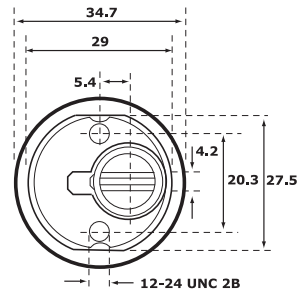
CY405

Meets EN1103
Grade 6, level 1



CY403

Meets EN1103
CY403 Grade 6, level 2 (hardened steel)
Replacement Yale type 1109.
Includes: Yale cam, trim ring and tailpiece



CYLINDER MECHANISMS	CY404 CY404/2 CY402 CY402/2	CY405 CY403	5150 CY053	5150/I CY054
NOVEL (N)	•		•	
PROTEC (PT)	•	•	•	•

MATERIALS AND FINISHES	CY404 CY404/2	CY402 CY402/2 CY403	CY405	5150 5150/I	CY053	CY054
Housing & plug:						
Brass	•		•	•	•	
Steel		•				•
Finish:						
Satin chrome	•	•	•	••	••	••
Bright chrome	••	••	••	•	•	•
Brass	••	••	•	•	••	••

• Standard
•• Special order

RIM COMPATIBILITY	CY053	5150
RI001	•	•
RI002	•	•
RI003	•	•
RI009		•

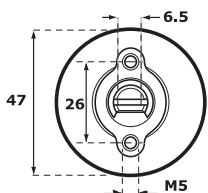
• Standard
•• Special order

5150

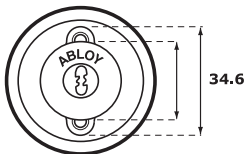
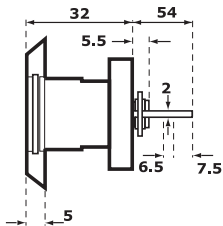
Replacement
ABLOY type



5150



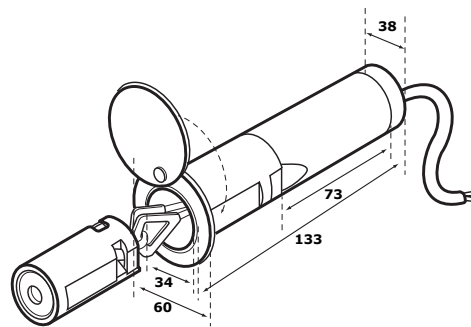
5150/I

**DNK302**

Key deposit with
collar and dust
plate
(PROTEC only)

**DNK303**

Key deposit with
collar, dust plate
and microswitch
(PROTEC only)

**General**

Key deposits are commonly used for storing master keys or pass keys for public or commercial buildings, such as apartment complexes, office buildings and factories. Utility companies and fire departments may also find key deposits useful for keeping route keys secure.

Features

Enables employees to access designated areas only.

Allows for the convenience of only having to carry one key which can operate thousands of key deposits.

Material

Cylinder housing: Hardened steel

Key deposit housing: Steel

Cylinder plug: Brass

Discs and washers: Tin bronze

Number of discs: 11

Finish

Key deposit housing: Zinc plated

Cylinder housing: Satin chrome

A state of the art learning resource for the security industry.

Welcome to our Academy - a new facility for training and understanding of ASSA ABLOY products and all aspects of door locking and function.

We recognise that the high performance of our products can only be realised by the abilities of the people who install them. We have developed the ASSA ABLOY Academy to provide training of the highest

standard, and the Academy brand is recognised as a mark of excellence and accreditation. This gives reassurance to clients of your competence and specialist product understanding.

There is an Academy course designed to provide training in the use of ABLOY® cylinder mechanisms, including master key strategy. To find out more or to

receive our Academy prospectus, simply contact us by any of the following:

Phone: +44(0)1902 364500

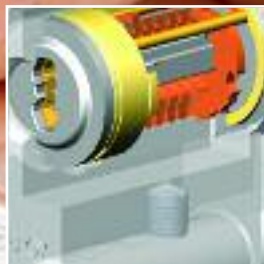
Email: academy@abloy.co.uk

or contact your Sales Account Manager.



WORKSHOP

Workshop-based courses provide specific product training with realistic set up and applications



CLASSROOM

Classroom-based courses give theoretical, strategic and legislative knowledge relating to door security and function

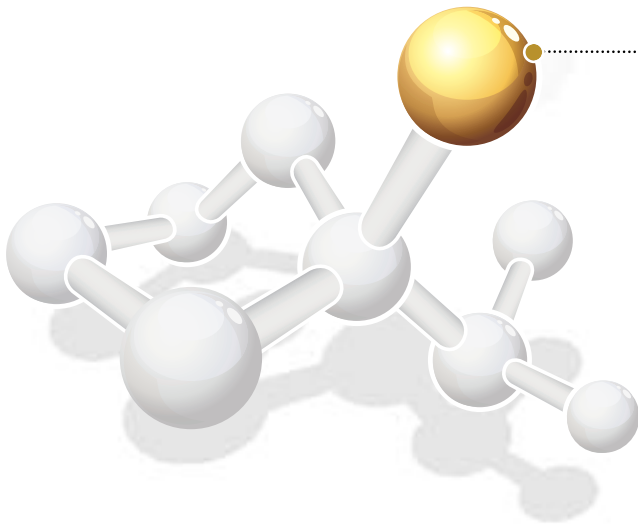
Abloy UK
School Street
Willenhall, West Midlands
WV13 3PW

Phone +44(0)1902 364500
Fax +44(0)1902 364501
Email sales@abloy.co.uk
www.abloy.co.uk

Direct line - Sales Office
0845 071 3844 (UK only)
Direct line - Customer Services
0845 071 3855 (UK only)
Calls charged at local network rates

From product supply through to planned and implemented door control solutions... it's in our DNA

We are the UK's leading experts on door locking and functionality. Our product range, including door cylinders, connects like the molecular diagram below, to form complete, secure, compliant and lasting solutions trusted by organisations around the UK and Ireland for whom compromise is not an option.



Product supply >

Simply order the products you need from our friendly and knowledgeable staff

Expertise >

Helpful advice when you need it from our door control specialists

Planning and specification >

For larger projects, call on us for full service assessment and planning of your needs, from fire exiting and compliance to master key strategies

Due to a continuous programme of development, Abloy UK reserves the right to make alterations without notice. For technical reasons connected with colour reproduction the colours shown may vary slightly from those of the product. All dimensions provided within this catalogue are approximate and for guidance only.

E. & O. E. For terms and conditions of sale, please refer to the current price list.

Abloy UK markets high quality products and accessories for security applications. Our customer base provides solutions to a broad spectrum of public and private organisations throughout the UK and Ireland.

