

ARCHITECTURAL DESIGN

ABLOY® DOOR PULLS



IDEAS AND INNOVATIONS

- Finnish design

The design consists of the product's look, feel, and comfort of use, and, above all, its functionality. It involves understanding of needs, innovation, and the best of traditions. We want to make everyday life smoother and more secure for you.

The ABLOY PULLS bring all kinds of styles to the living environment: modern, traditional, youthful – whatever you desire. The creative solutions in the small details give the final touch to the well-considered whole.

Contents

Surface finishes	3
ABLOY® PRESTO	4
ABLOY® PARLAMENT	5
ABLOY® ERGO	6
ABLOY® FORMA	7
ABLOY® INOXI	8-9
Other pulls	10
Rod and knob pulls	11
ABLOY® MINI HANDLE	12
ABLOY® EXIT	13
Tips for selection and placement of the pulls	14
Installation alternatives and selection chart	15

SURFACE FINISHES

Dragon chrome

Stainless steel

Satin

Polished brass

Chrome

Silver-anodised

Graphite
(RAL790-M)



Aluminium
grey (RAL9006)



Black (RAL9005)



White (RAL9010)



Antimicrobial **ABLOY® ACTIVE**

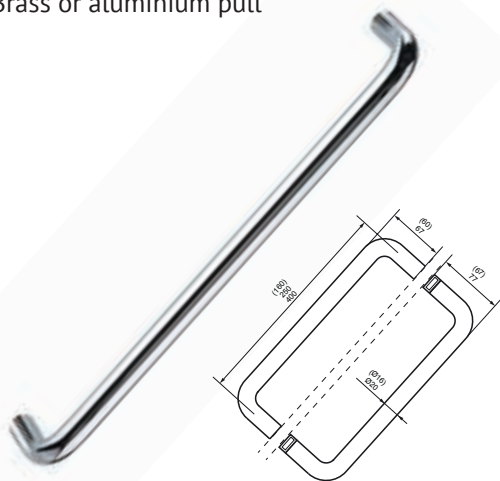
ACTIVE-coating now on
all painted door pulls!

ABLOY ACTIVE kills 99% of the
most common bacteria in 24 hours
and is also effective in combating
MRSA.

The products in this brochure are
available in all RAL colour chart
shades to special order.

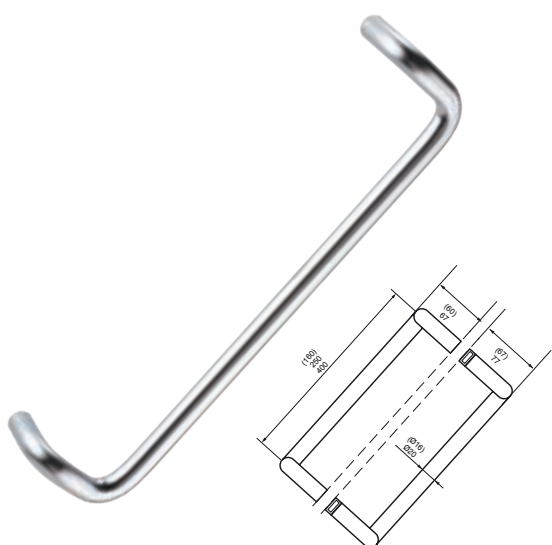
ABLOY® PRESTO 137

Brass or aluminium pull



ABLOY® PRESTO 138

Brass or aluminium pull



ABLOY® PRESTO and PARLAMENT PULLS

are produced from durable brass rod material. The pulls are intended for applications that require resistance to wear, and they are well suited to public buildings and shopping centres.

The variety of installation methods and placement alternatives help to create a new look in the door environment. The collection includes very subdued models that can be used to create a harmonious feel to the site. PRESTO pulls are available in aluminium versions as well.



ABLOY® PARLAMENT 210

Brass pull

A customized pull – length can be freely specified between 200 and 1,100 mm.

The surfaces of the various parts of the pull can be finished as specified in the chart below.



ABLOY® PARLAMENT 216

Brass pull



ABLOY® PARLAMENT 220

Brass pull



ABLOY® PARLAMENT customized pulls

The PARLAMENT pulls can be designed for the whole width of the door or with a specific assembly (for example, the PARLAMENT 230-240 models). In planning of the pull, the following things must be considered:

- The basic model of the pull (refer to the special order forms for the models)
- The overall dimension of the pull (attachment intervals)
- The length of the lower part of the pull
- Surface finishes for various parts
- The handing of the pull, if a pull with handing has been selected



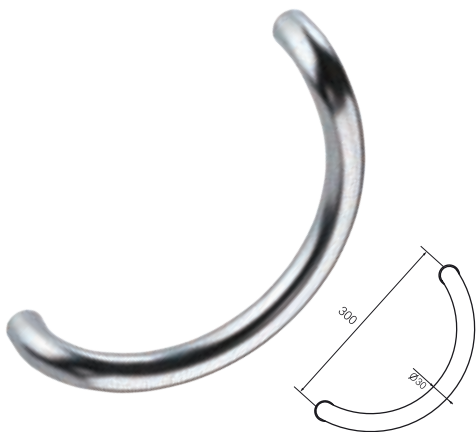
ABLOY PARLAMENT pulls are available as standard and customized products; for the latter, the handle and pull body parts can be ordered with different dimensions. There are several surface finish alternatives available, and a separate document for the ordering of the customized pulls can be found on our Web site, www.abloy.com

	Body	Handle part	Support plate
Polished brass	*	*	*
Chrome	*	*	*
Satin	*	*	*
Painted		*	*

ABLOY® ERGO 325



ABLOY® ERGO 326



ABLOY® ERGO and FORM

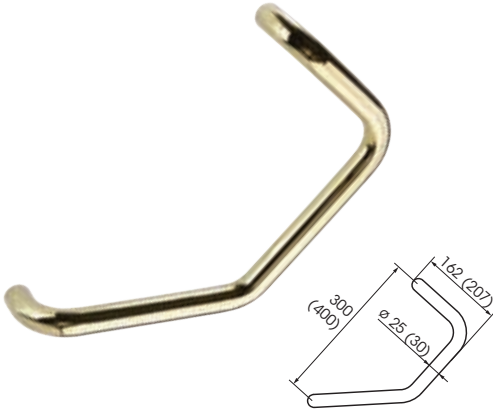
feature a bolder design that can be used to highlight carefully selected entities and to create stylish solutions. These pulls are made of durable brass. Suitable applications for pulls include office buildings and public properties.



A PULLS

ABLOY® FORMA 340

Note! The handing must be specified when ordering the K-pull



ABLOY® FORMA 343

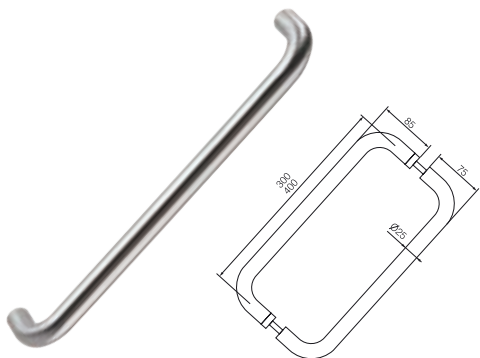




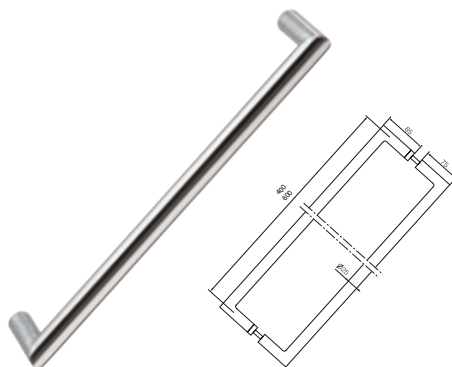
ABLOY® INOXI pull collection's
clear-cut products and simplified design create a modern solution in the door
environment. INOXI pulls have been made of stainless steel. In order to maintain
a consistent style, INOXI series offers handles for both internal and external
doors.



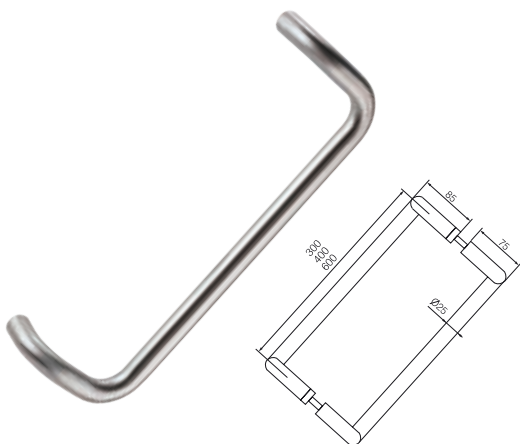
ABLOY® INOXI 137



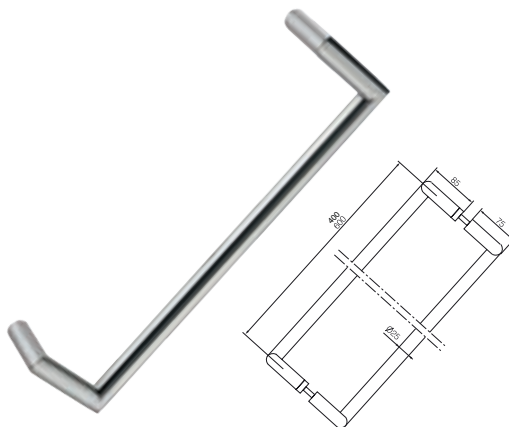
ABLOY® INOXI 137s



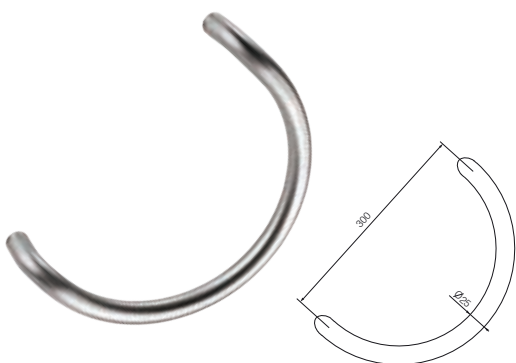
ABLOY® INOXI 138



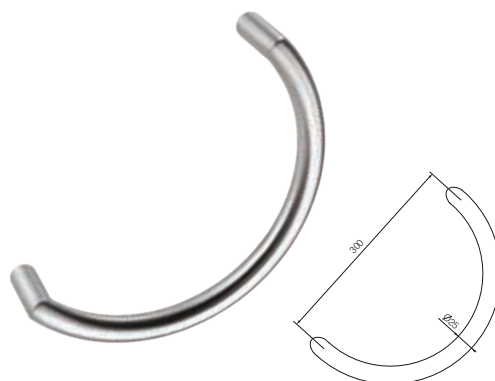
ABLOY® INOXI 138s



ABLOY® INOXI 291

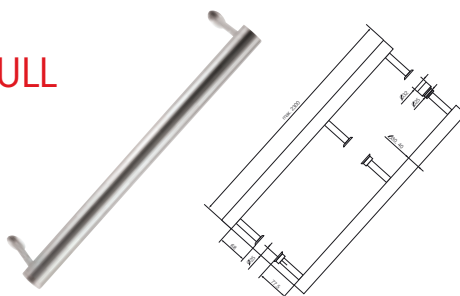


ABLOY® INOXI 291s



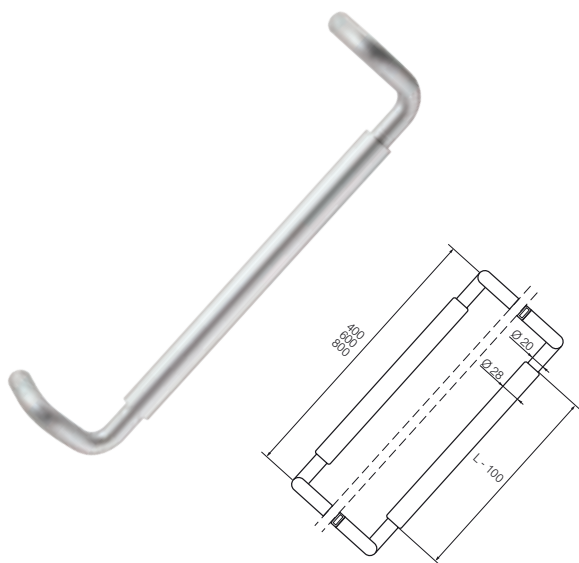
ABLOY® 750 CUSTOMIZED PULL

Can be dimensioned in accordance with the door, with the recommended maximum length being 2,300 mm. A separate order form for customized products is available on our Web site, www.abloy.com



ABLOY® DP148

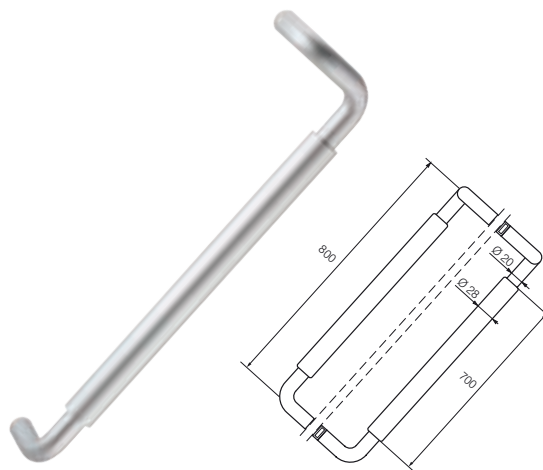
Aluminium pull



ABLOY® DP1475 PULL

Aluminium pull

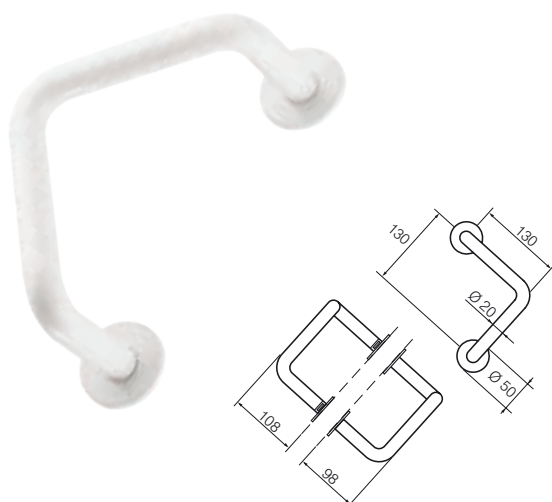
Special versions are available for models DP148 and DP1475, for which the shape of the pull body and end pieces and the total length (max.: 1,200 mm) can be freely defined. With use as a support railing, support plates (DP039-41) are recommended.



ABLOY® DP136 ELBOW PULL

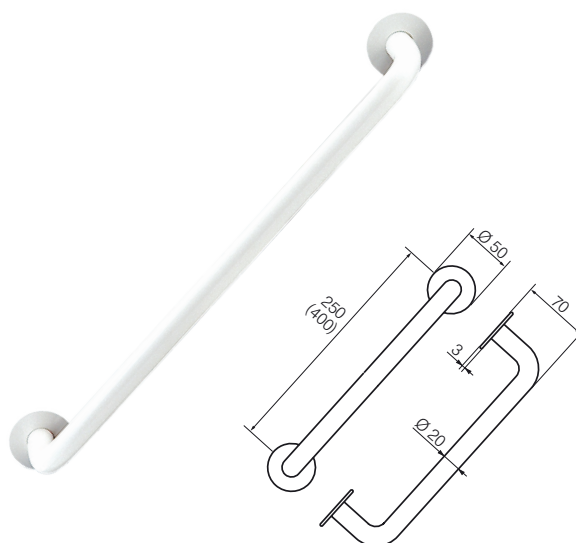
Aluminium pull

The characteristics of the elbow pull are best emphasised when it is used in hospitals.



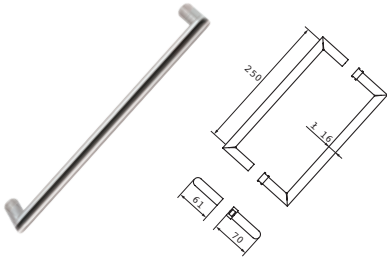
ABLOY® DP139 SUPPORT PULL

Aluminium pull



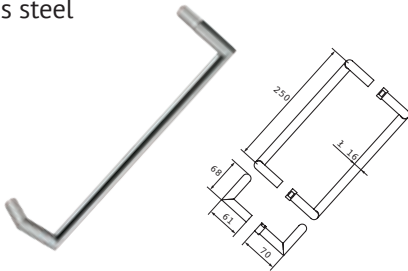
ABLOY® INOXI DP132

Available length: 266 mm
Stainless steel



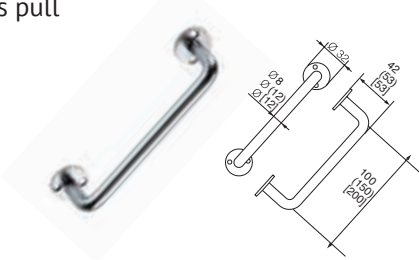
ABLOY® INOXI DP133

Available length: 266 mm
Stainless steel



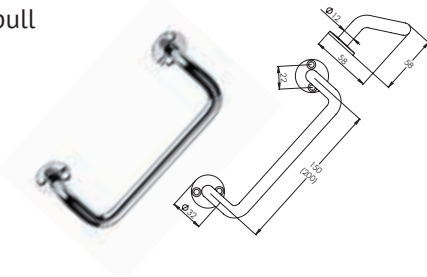
ABLOY® DP130

Available lengths: 108, 162, 212 mm
Brass pull



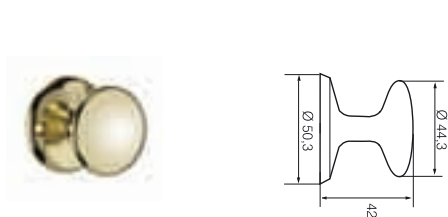
ABLOY® DP131

Available lengths: 162, 212 mm
Brass pull



ABLOY® DP116R

Brass pull



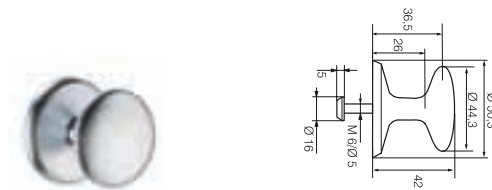
ABLOY® DP118LK

Brass pull



ABLOY® DP117K

Brass pull



THE MOST TYPICAL

applications for rodpulls are metallic gates and warehouse doors equipped with surface locks.

THE KNOB PULLS

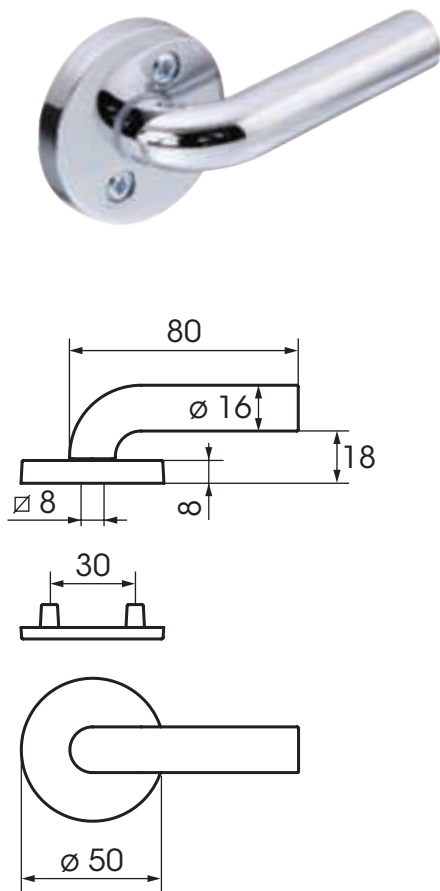
are well suited to use with regular and sliding doors. The most common applications include the staircase doors of blocks of flats and the doors of commercial premises.



ABLOY® 3-16XS MINI HANDLE

Designed for pull-operated lock cases, this new mini handle stands out from the collection in its size. It offers classic style and provides the designer with freedom of choice for cases in which pulls are used on both sides of the door. The small, subdued handle, adapted from the ABLOY PRESTO collection, is at its best when you want to facilitate the opening of doors. This handle is practical in particular with pull-operated lock cases and access control. The handle material is durable brass, and its design is sufficiently subdued to highlight other elements of architecture.

- Also available as a profile door handle



ABLOY® EXIT

Push pads and panic bars for emergency exit solutions

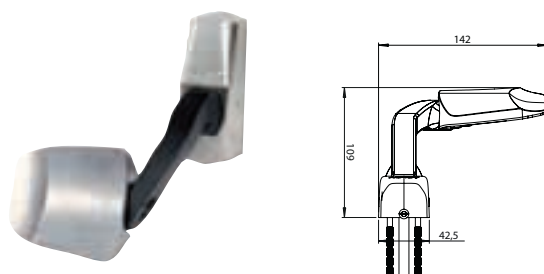
The European standards EN 1125 and EN 179 apply to the locking and fitting solutions of panic and emergency exit doors in buildings. All ABLOY EXIT products meet the requirements of the standards, and all solutions combining multiple door environment products comply with these standards. ABLOY EXIT push pads and panic bars can be used with either mechanical or electro-mechanical lock cases.



ABLOY® PUSH PADS

PPE001 for solid and profile doors. The outside lever handle must always be selected separately. PPE002 for solid doors, PPE003 for profile doors including an external anti-burglar plate.

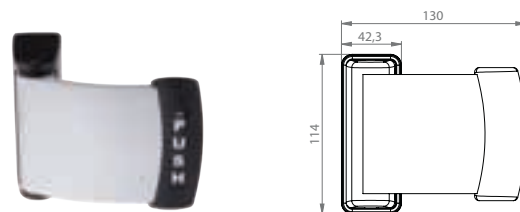
Push pad's surface finish in satin
Surface finishes for the push pad fittings
Chrome, satin, and brushed nickel



PPE004

Suitable for use in the staircase doors of buildings in place of a turning knob. Used with lock cases EL402 and EL502. Available as a separate product or in combination with a cylinder.

Made of aluminium



ABLOY® PANIC BAR

PBE001 for solid and profile doors. The outside lever handle must be selected separately.

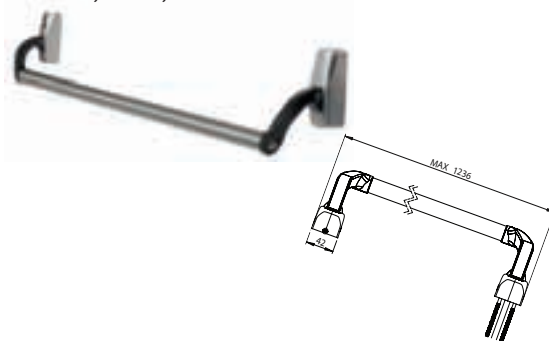
PBE002 for solid doors.

Includes an external anti-burglar plate.

PBE003 for profile doors.

Includes an external anti-burglar plate.

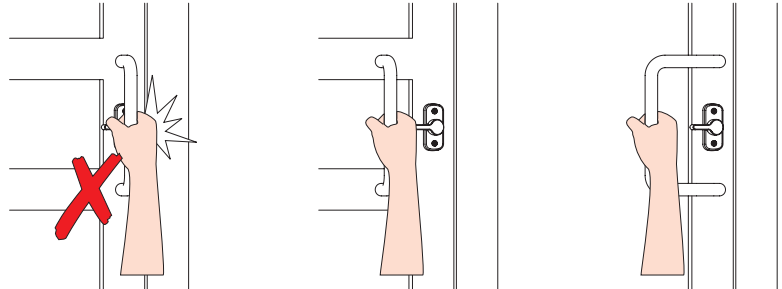
The panic bar rail surface finish is Rt satin, and the rail's standard length is 1,150 mm. Surface finishes: Chrome, satin, and brushed nickel



TIPS FOR THE SELECTION AND PLACEMENT OF DOOR PULLS

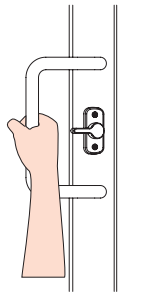
KEEPING THE HANDS UNHARMED

The pull must be attached far enough from the door frame. This ensures that hands won't get hurt when using the door.



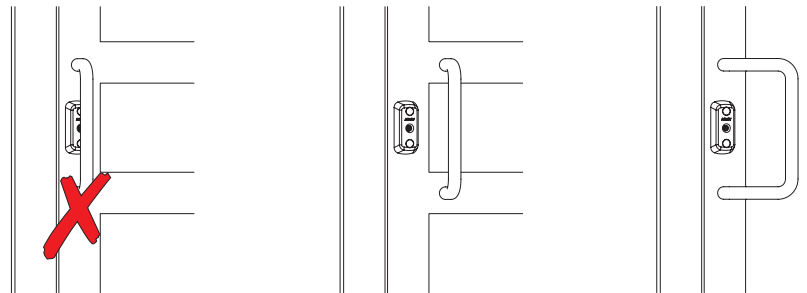
SPECIAL REQUIREMENTS FOR MOTORISED LOCKS

The motorised locks always require a pull height of at least 400 mm. The lock case must be placed between the drillings of the pull without going through the lock. This is to ensure that the lock case does not become damaged during the installation of the pull.



SMOOTH AND EASY KEY USE

The pull must be attached far enough from the cylinder. If sufficient distance cannot be reached with a straight pull, a bent pull should be selected for the site. This enables smooth, hassle-free use of the key cylinder.



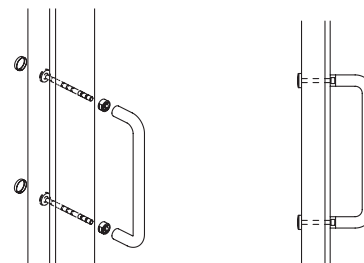
STYLISH PULL INSTALLATION

The attachment parts of a one-sided pull can be hidden with cover plates. The cover plate is always the same shade as the pull. Available for all pull thicknesses.

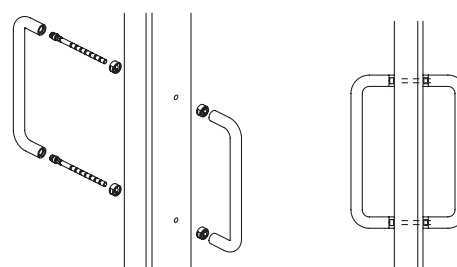


INSTALLATION OPTIONS

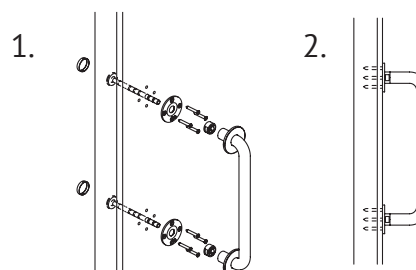
Through fixing of a one-sided pull (K)
Distance of the cover plate from the door surface: 8 mm



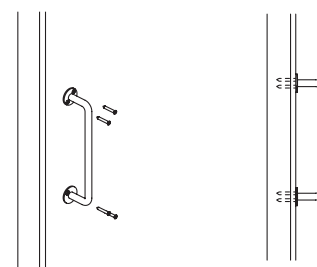
Through fixing of a pull pair (LK)



1. Through fixing of one-sided pull with support plate
2. Surface fixing of one-sided pull with support plate



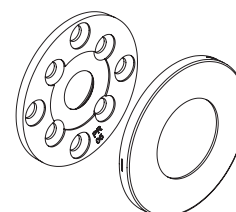
Surface installation of a wire pull with a screw (R)



ABLOY® SUPPORT PLATES DP039-041

Available with several surface finish options. The surface fitting of the support plate is always the same shade as the pull when in the same delivery as the pull. An exception to this is the pulls made of stainless steel that have surface fittings with a satin finish. Recommended for use especially with wooden doors.

- For DP039 20 mm pull body
- For DP040 25 mm pull body
- For DP041 30 mm pull body



SELECTION CHART

PULL TYPE	SURFACE FINISH				Silver-anodised	Stainless steel	White	Black	Silver grey	Graphite	LENGTH (mm)	100	150	160	200	250	300	400	500	600	800	1000	Customized order	
	Polished brass	Chrome	Dragon Chrome	Satin																				
PRESTO 137	x	x	x	x	x		x	x	x	x				x		x		x						
PRESTO 138	x	x	x	x	x		x	x	x	x				x		x		x						
PARLAMENT 210	x	x	x	x			x	x	x	x					x		x	x	x	x	x	x	x	*)
PARLAMENT 216	x	x	x	x			x	x	x	x							x	x	x	x	x	x	x	*)
PARLAMENT 220	x	x	x	x			x	x	x	x					x		x	x	x	x	x	x	x	*)
ERGO 325	x	x	x	x			x	x	x	x						x	x							
ERGO 326	x	x	x	x			x	x	x	x						x	x							
FORMA 340	x	x	x	x			x	x	x	x							x	x						
FORMA 343	x	x	x	x			x	x	x	x							x	x						
INOXI 132						x										x								
INOXI 133						x										x								
INOXI 137						x											x	x						
INOXI 137s						x												x		x				
INOXI 138						x											x	x		x				
INOXI 138s						x												x		x				
INOXI 291						x											x							
INOXI 291s						x											x							
INOXI 750						x																		x
DP 148					x		x	x	x	x								x		x	x			*)
DP 136 ELBOW PULL					x		x	x	x	x														
DP 1475					x		x	x	x	x											x			*)
DP 139 SUPPORT PULL					x		x	x	x	x						x		x						
DP 130 ROD PULL	x	x	x	x			x	x	x	x	x	x	x	x										
DP 131 ROD PULL	x	x	x	x			x	x	x	x			x	x										
DP 116R	x	x	x	x																				
DP 117K	x	x	x	x																				
DP118LK	x	x	x	x																				
PARLAMENT 230-240			x				x	x	x	x														x

*) Available with special dimensions.

SELECTION CHART



ABLOY® DOOR PULLS

ARCHITECTURAL DESIGN



ABLOY secures people, property, and business operations on land, at sea, and in the air – in all circumstances.

ASSA ABLOY is the global leader in door opening solutions, dedicated to satisfying end-user needs for security, safety and convenience.

MANUFACTURER:

Abloy Oy

Wahlforssinkatu 20
P.O. Box 108
FI-80101 Joensuu | Finland
Tel. +358 20 599 2501
WWW.ABLOY.COM



An ASSA ABLOY Group brand **ASSA ABLOY**