



ABLOY® EXIT

*Functional and technical
descriptions
Single and double leaf doors*

ABLOY® EXIT - EXIT PRODUCTS

It is time to take the exit safety standards to a new level.

Door environment safety is often perceived as the possibility to lock the doors and restrict entrance. Personal safety includes also the possibility to exit, and for that end, there must be a safe exit for all situations in the building. The exit routes must be clear, accessible and safe for large groups of people, too.



ABLOY® EXIT solution combines solid product know-how and extensive expertise in the field of personal safety. The solution is built on tested and certified **ABLOY® EXIT** products, complying with the latest lock industry standards. Exit safety is defined in standards EN 179 and EN 1125 according to which individual exit products should be tested a complete unit operating in the door environment.

Besides certified products, we provide you with top industry experts and comprehensive training. We offer designing background information for experts in various fields and solutions to support decision making. We train our distribution channel network continuously to ensure that you have the top industry expertise at your service.

By selecting Abloy, you can rely on a nationwide network of **ABLOY®**-authorised locksmiths. This means that you have a professional product installation and maintenance service, original **ABLOY®** products and our extensive guarantee at your disposal.

ABLOY® EXIT PRODUCT FEATURES

ABLOY® EXIT products are used in exit doors which are in passage or in entrances.

ABLOY® EXIT product range meets the requirements of the European EN 179 and EN 1125 standards.

MATERIALS

The lock case and bolt are made of steel (Fe).
The cylinder housing and plug are made of brass.
Handle material according to the architectural hardware range.
Panic bar arms are made of aluminium, the horizontal bar is made of stainless steel and the mounting plates are made of brass.

SURFACE FINISHES

The lock case is zinc plated steel (Fe/ZL) or chromed (CR).
Cylinder housing and plug: chromed (CR), satin chromed (HCR), polished brass (Ms/Ki), brushed nickel (HN), brushed brass (M).
Handle finishes according to the architectural hardware range.

HANDING OF THE DOOR, OR DETERMINING THE SWING DIRECTION

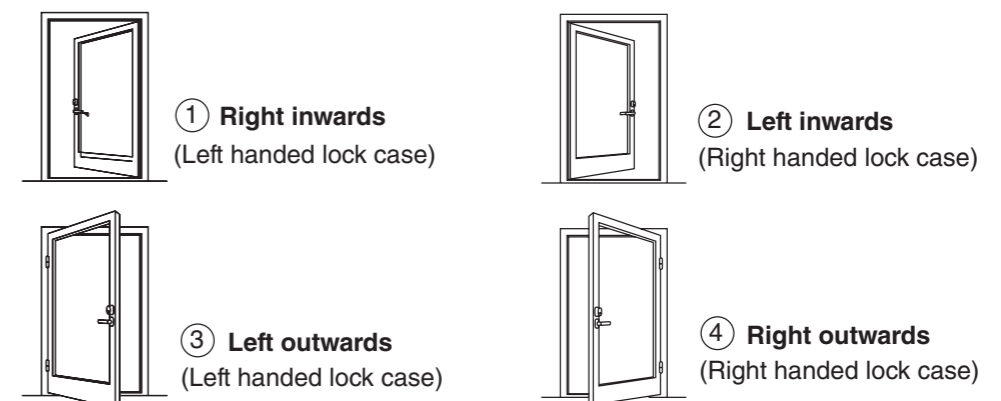




TABLE OF CONTENTS

GENERAL INFORMATION

CONCEPTUAL FIGURES: double leaf door

SINGLE LEAF ACTIVE DOOR - WOODEN/METAL DOOR MECHANICAL LOCK CASES

Handle controlled lock case LE180

Product information	8
Product examples	9

Push/pull function lock case LE184

Product information	10
Product examples	11

Push/pull function lock case LE185

Product information	12
Product examples	13

DOUBLE LEAF ACTIVE DOOR - WOODEN/METAL DOOR MECHANICAL LOCK CASES

Handle controlled lock case LE181

Product information	14
Product examples	15

Push/pull function lock case LE183

Product information	16
Product examples	17

Push/pull function lock case LE186

Product information	18
Product examples	19

SINGLE AND DOUBLE LEAF ACTIVE DOOR - NARROW STILE DOOR MECHANICAL LOCK CASES

Handle controlled lock case LE310

Product information	20
Product examples	21

Push/pull function lock case LE314

Product information	22
Product examples	23

Push/pull function lock case LE315

Product information	24
Product examples	25

SINGLE LEAF ACTIVE DOOR - WOODEN/METAL DOOR SOLENOID LOCK CASES

Handle controlled solenoid lock cases EL581, PE580

Product information	26
Product examples	27

DOUBLE LEAF ACTIVE DOOR - WOODEN/METAL DOOR SOLENOID LOCK CASES

Handle controlled solenoid lock cases EL580

Product information	28
Product examples	29

SINGLE LEAF ACTIVE DOOR - WOODEN/METAL DOOR MOTOR LOCK CASES

Push/pull function motor lock cases EL593, PE590

Product information	30
Product examples	31

DOUBLE LEAF ACTIVE DOOR - WOODEN/METAL DOOR MOTOR LOCK CASES

Push/pull function motor lock cases PE592

Product information	32
Product examples	33

SINGLE LEAF ACTIVE DOOR - WOODEN/METAL DOOR SOLENOID LOCK CASES

Push/pull function solenoid lock cases EL502

Product information	34
Product examples	35

SINGLE AND DOUBLE LEAF ACTIVE DOOR - NARROW STILE DOOR SOLENOID LOCK CASES

Handle controlled solenoid lock cases EL480

Product information	36
Product examples	37

SINGLE AND DOUBLE LEAF ACTIVE DOOR - NARROW STILE DOOR MOTOR LOCK CASES

Push/pull function motor lock cases EL490

Product information	38
Product examples	39

SINGLE LEAF ACTIVE DOOR - NARROW STILE DOOR SOLENOID LOCK CASES

Push/pull function solenoid lock cases EL402

Product information	40
Product examples	41

PASSIVE WOODEN/METAL DOOR

Handle controlled mechanical passive wooden/metal door

Product information	42
Product examples (active door, mechanical)	43
Product examples (active door, electromechanical EL580 or PE592)	43

Passive wooden/metal door with swing door automatics

Product information	44
Product examples (active door, electromechanical PE592)	45

PASSIVE NARROW STILE DOOR

Handle controlled mechanical passive narrow stile door

Product information	46
Product examples (active door, mechanical)	47
Product examples (active door, electromechanical EL480 or EL490)	47

Passive narrow stile door with swing door automatics

Product information	48
Product examples (active door, electromechanical EL490)	49

STRIKER PLATES

ABLOY® EXIT: DIMENSIONAL PRODUCT DRAWINGS - HANDLES	52
---	----

ABLOY® EXIT: DIMENSIONAL PRODUCT DRAWINGS - PANIC BARS AND CYLINDER-PUSH PAD	58
--	----

DIMENSIONAL CYLINDER DRAWINGS

ABLOY® EXIT: dimensional passive door product drawings	60
--	----

ELECTRIC LOCK ACCESSORIES	62
---------------------------	----

ABLOY® EXIT: MAINTENANCE, TESTING AND INSTALLATION OF PRODUCTS	65
--	----

ABLOY® EXIT: PRODUCT SELECTION CHART	66
--------------------------------------	----

ABLOY® EXIT: Product code symbols



Product code hardware solution that fulfils requirements for fire rated door, i.e., the bolt is thrown when the door is closed.



Product code hardware solution that meets the requirements of the European EN 179 standard.



The product code lock case belongs to the one-sized lock case range.



Product code hardware solution that meets the requirements of the European EN 1125 standard.

The lock case meets the requirements of the European exit product standards EN 179 and EN 1125, as well as the lock case standard EN 12209 and EN14846.

ABLOY® EXIT: Features common to the solution



MECHANICAL DURABILITY
Tested up to 200,000 cycles.



Product code hardware solution that fulfils requirements for exit door.



CORROSION RESISTANCE AND ENVIRONMENTAL CONDITIONS
Tested for demanding environments.

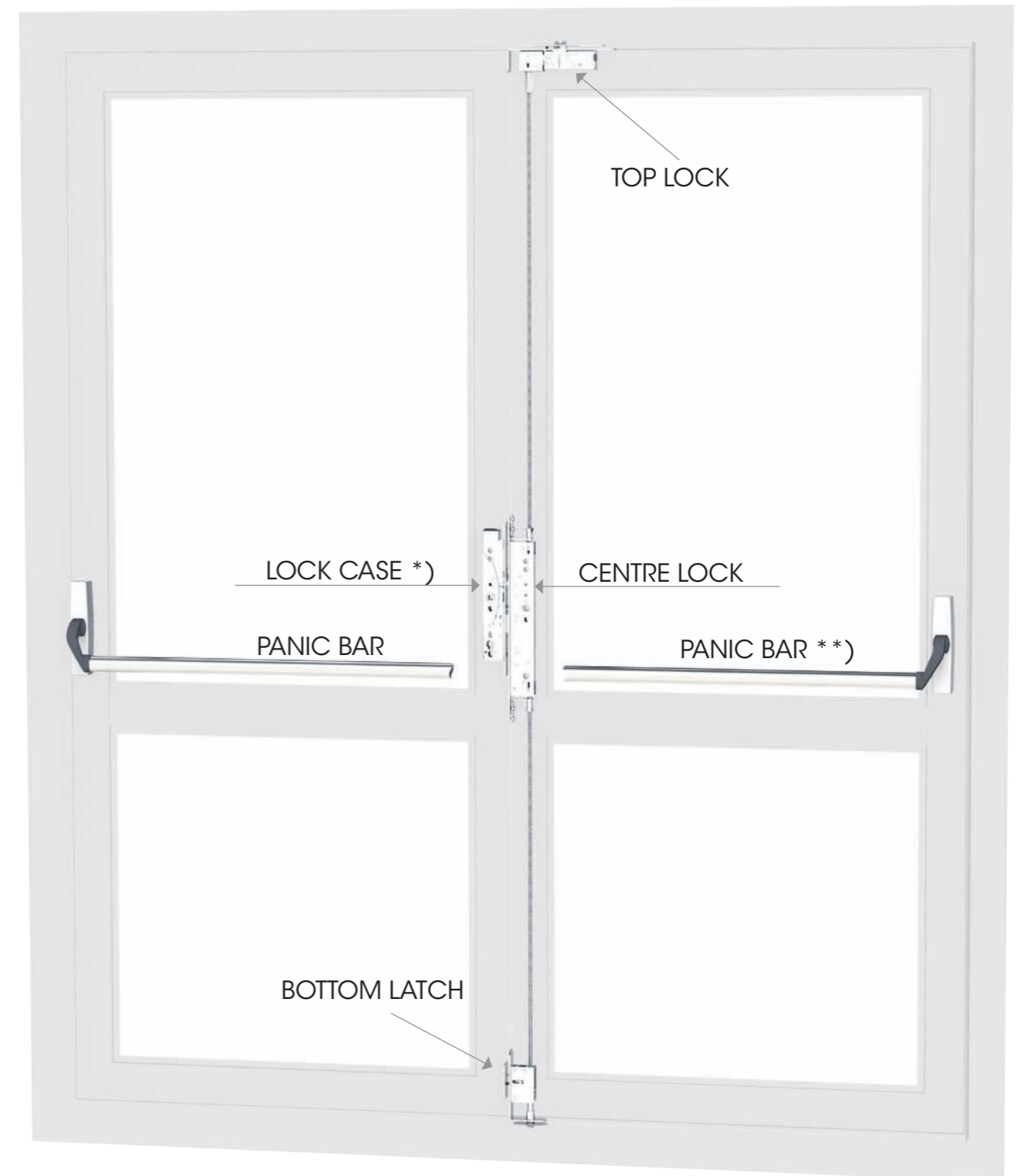


CE MARKING
The product meets the safety, environment and consumer protection requirements set by the European Union.

DOUBLE LEAF DOOR CONCEPTUAL FIGURE

ACTIVE DOOR

PASSIVE DOOR



*) WITH DOUBLE LEAF DOORS, STRIKER PLATE IS NOT REQUIRED FOR ACTIVE DOOR LOCK CASES

**) PANIC BAR, PUSH PAD OR HANDLE

HANDLE CONTROLLED LOCK CASE LE180 FOR SINGLE LEAF WOODEN/METAL DOOR

Application

The handle controlled exit lock case **ABLOY®** LE180 is recommended to be used in exit doors.

EN 179 - EMERGENCY EXIT

- EXIT BY HANDLE

EN 1125 - PANIC EXIT

- EXIT BY PANIC BAR

Door operation

Handle controlled **ABLOY®** EXIT lock case with automatic deadlocking latch bolt.

The lock can always be opened from the inside by handle or panic bar.

Suitable for fire rated doors.

Lock case functions can be selected with the forend snib.

To use the snib, the key must be turned in the cylinder.

UPPER SNIB POSITION =

Deadlocking (locked position), bolt out 17 mm

The lock can be opened from the outside by key only (from the cylinder), and from the inside anytime by handle or panic bar.

LOWER SNIB POSITION =

Day use (open position), bolt out 14 mm

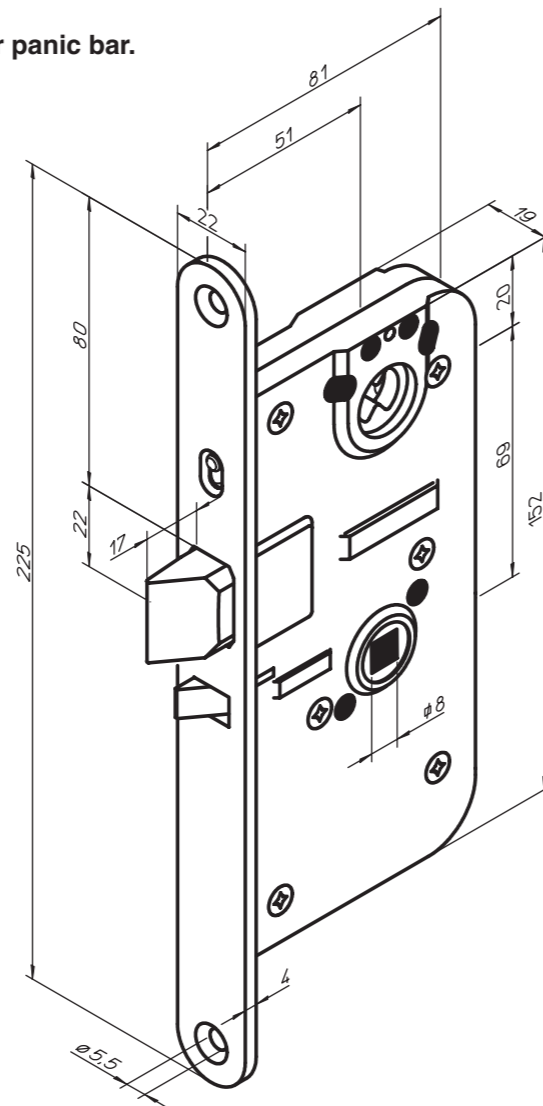
The lock can be opened from the outside by handle, and from the inside anytime by handle or panic bar.

LE180X is the microswitch version of the lock.

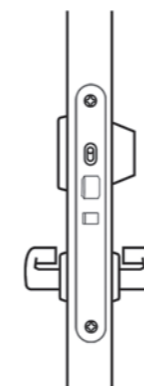
Striker plates

Adjustable striker plates LP711, LP714, LP721, LP731

Metal door striker plates EA307, EA308, 4613, 4614



LOCKS FOR EXIT DOOR SOLUTIONS



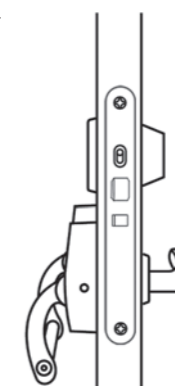
EN 179

EXAMPLE 1

- lock case LE180
- single cylinder CY037
- **ABLOY®** EXIT -handle set for wooden/metal door



In the locked position, the lock can be opened from the outside by key and handle, **from the inside always by handle**. In the open position, the lock can be opened from either side by handle.



EN 1125

EXAMPLE 2

- lock case LE180
- single cylinder CY037
- **ABLOY®** EXIT panic bar PBE001
- wooden/metal door outside single handle from
- **ABLOY®** product range



In the locked position, the lock can be opened from the outside by key and handle, **from the inside always by panic bar**. In the open position, the lock can be opened from the outside by handle and from the inside by panic bar.

PUSH/PULL FUNCTION LOCK CASE LE184 FOR SINGLE LEAF WOODEN/METAL DOOR

Application

The push/pull function exit door lock case **ABLOY®** LE184 is recommended to be used in exit or emergency exit doors which are in passage or in entrances.

EN 179 - EMERGENCY EXIT

- EXIT BY HANDLE

EN 1125 - PANIC EXIT

- EXIT BY PANIC BAR

Door operation

Push/pull function **ABLOY®** EXIT lock case with automatic deadlocking latch bolt.

The lock can always be opened from the inside by handle or panic bar.

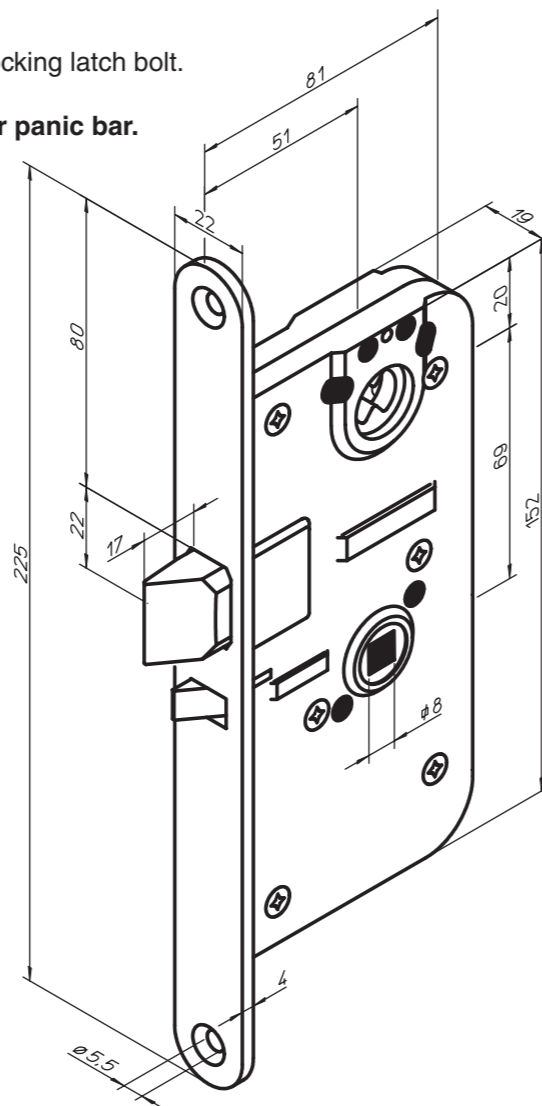
Suitable for fire rated doors.

The lock is deadlocked (locked position) always when the door is closed.

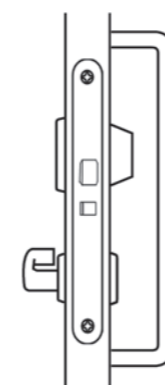
LE184X is the microswitch version of the lock.

Striker plates

Adjustable striker plates LP711, LP714, LP721, LP731
Metal door striker plates EA307, EA308, 4613, 4614



LOCKS FOR EXIT DOOR SOLUTIONS



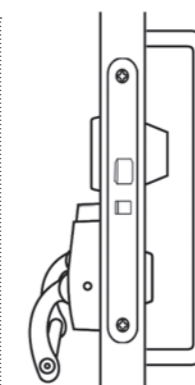
EN 179

EXAMPLE 1

- lock case LE184
- single cylinder CY037
- **ABLOY®** EXIT single handle for wooden/metal door
- door pull from **ABLOY®** product range



From the outside, the lock can be opened by key and door pull, **from the inside always by handle.**



EN 1125

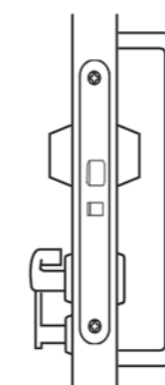
EXAMPLE 2

- lock case LE184
- single cylinder CY037
- **ABLOY®** EXIT panic bar PBE002
- door pull from **ABLOY®** product range



From the outside, the lock can be opened by key and door pull, **from the inside always by panic bar.**

LOCKS FOR EMERGENCY EXIT DOOR SOLUTIONS



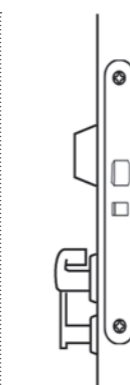
EN 179

EXAMPLE 1

- lock case LE184
- double cylinder CY002
- **ABLOY®** EXIT single handle for wooden/metal door
- **ABLOY®** EXIT seal EH900 - door pull from **ABLOY®** product range



The lock can be opened from the outside by key and door pull, from the inside by key. **In an emergency situation, the lock can always be opened from the inside by handle after breaking the seal.**



EN 179

EXAMPLE 2

- lock case LE184
- inside cylinder CY021
- **ABLOY®** EXIT single handle for wooden/metal door
- **ABLOY®** EXIT seal EH900



The lock can be opened from the inside by key. **In an emergency situation, the lock can always be opened from the inside by handle after breaking the seal.**

PUSH/PULL FUNCTION LOCK CASE LE185 FOR SINGLE LEAF WOODEN/METAL DOOR

Application

The push/pull function exit door lock case **ABLOY®** LE185 is recommended to be used in exit doors which are in passage or in entrances.

EN 179 - EMERGENCY EXIT

- EXIT BY HANDLE

EN 1125 - PANIC EXIT

- EXIT BY PANIC BAR

Door operation

Push/pull function **ABLOY®** EXIT lock case with automatic deadlocking.

The lock can always be opened from the inside by handle or panic bar.

Not suitable for fire rated doors.

Lock case functions can be selected with the forend snib.

To use the snib, the key must be turned in the cylinder.

UPPER SNIB POSITION =

Deadlocking (locked position), bolt out 17 mm
The lock can be opened from the outside by key only (from the cylinder) and from the inside anytime by handle or panic bar.

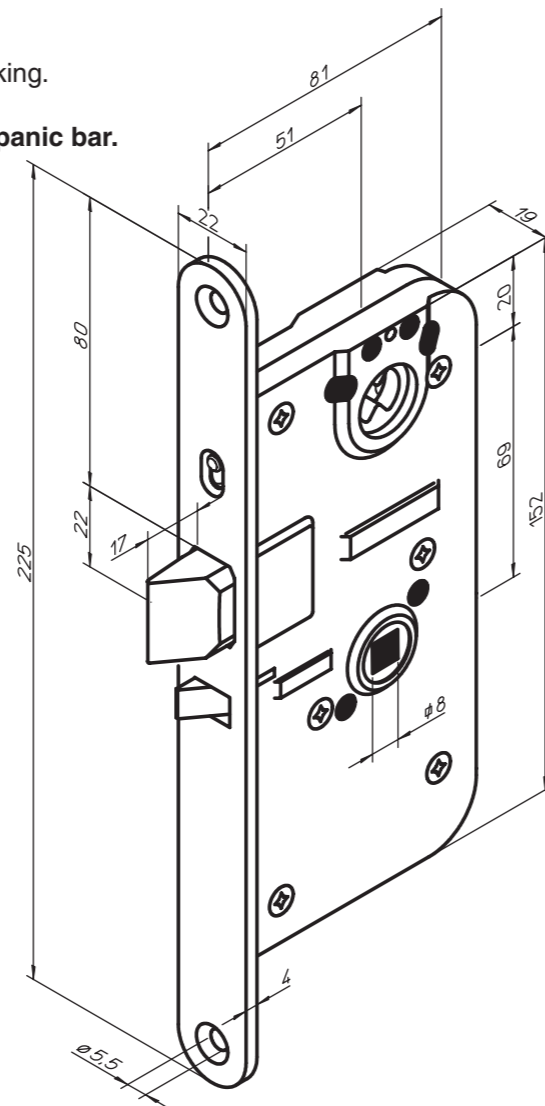
LOWER SNIB POSITION =

Day use (open position), the bolt is locked inside the lock case, and the lock can be opened from the outside by door pull and from the inside anytime by handle or panic bar.

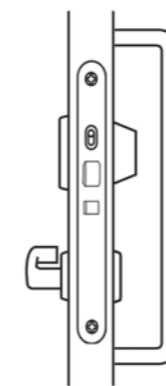
LE185X is the microswitch version of the lock.

Striker plates

Adjustable striker plates LP711, LP714, LP721, LP731
Metal door striker plates EA307, EA308, 4613, 4614



LOCKS FOR EXIT DOOR SOLUTIONS



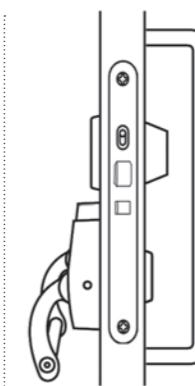
EN 179

EXAMPLE 1

- lock case LE185
- single cylinder CY037
- **ABLOY®** EXIT single handle for wooden/metal door
- door pull from **ABLOY®** product range



In the locked position, the lock can be opened from the outside by key and door pull, **from the inside always by handle**. In the open position, the lock can be opened from the outside by door pull and from the inside by handle.



EN 1125

EXAMPLE 2

- lock case LE185
- single cylinder CY037
- **ABLOY®** EXIT panic bar PBE002
- door pull from **ABLOY®** product range



In the locked position, the lock can be opened from the outside by key and door pull, **from the inside always by panic bar**. In the open position, the lock can be opened from the outside by door pull and from the inside by panic bar.

HANDLE CONTROLLED LOCK CASE LE181 FOR DOUBLE LEAF WOODEN/METAL DOOR

OPTIONS FOR PASSIVE DOOR LEAF PRODUCTS WITH THE LOCK CASE

ACTIVE DOOR	PASSIVE DOOR	PRODUCT CODE
Mechanical locking	Mechanical locking	PE911

Application

The handle controlled exit lock case **ABLOY®** LE181 is recommended to be used in exit doors which are in passage or in entrances.

EN 179 - EMERGENCY EXIT

- EXIT BY HANDLE

EN 1125 - PANIC EXIT

- EXIT BY PANIC BAR

Suitable for fire rated doors.

LE181x is the microswitch version of the lock.

Door operation

Handle controlled **ABLOY®** EXIT lock case with automatic deadlocking latch bolt.

The lock can always be opened from the inside by handle or panic bar.

Lock case functions can be selected with the forend snib.
To use the snib, the key must be turned in the cylinder.

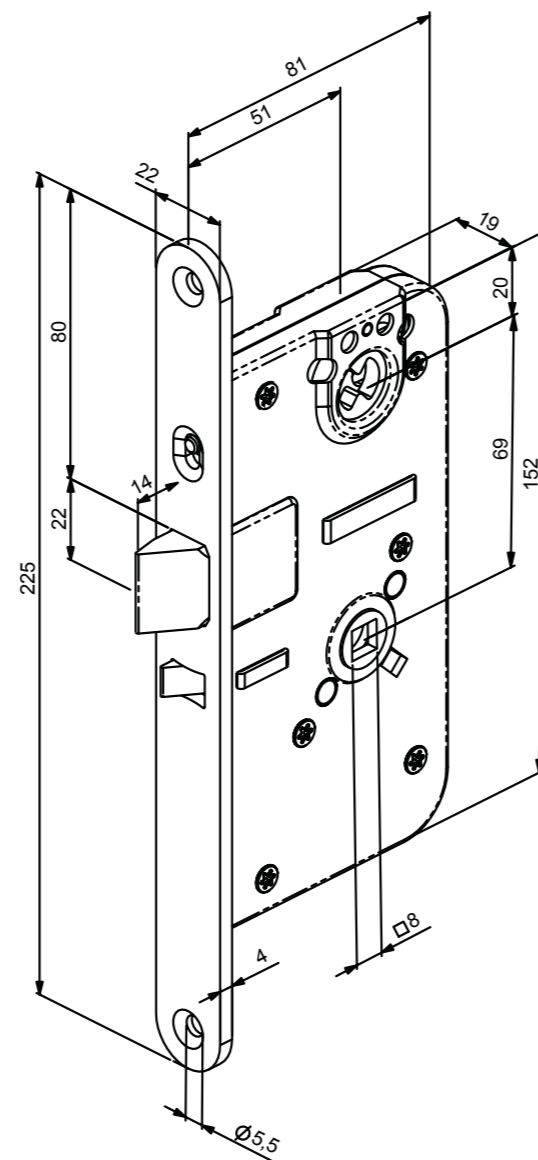
UPPER SNIB POSITION =

Deadlocking (locked position), bolt out 14 mm
The lock can be opened from the outside by key only (from the cylinder) and from the inside anytime by handle, push pad or panic bar.

LOWER SNIB POSITION =

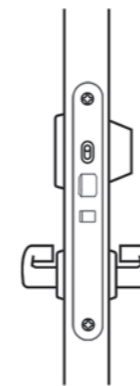
Day use (open position), bolt out 14 mm
The lock can be opened from the outside by handle and from the inside anytime by handle, or panic bar.

Strike plate is not needed in double door solutions.



LOCKS FOR EXIT DOOR SOLUTIONS

EN 179



EXAMPLE 1

- lock case LE181
- single cylinder CY037
- **ABLOY®** EXIT handle set for wooden/metal door



In the locked position, the lock can be opened from the outside by key and handle, **from the inside always by handle**. In the open position, the lock can be opened from either side by handle.

EN 1125



EXAMPLE 2

- lock case LE181
- single cylinder CY037
- **ABLOY®** EXIT panic bar PBE001
- wooden/metal door outside single handle from **ABLOY®** product range



In the locked position, the lock can be opened from the outside by key and handle, **from the inside always by panic bar**. In the open position, the lock can be opened from the outside by handle and from the inside by panic bar.

PUSH/PULL FUNCTION LOCK CASE LE183 FOR DOUBLE LEAF WOODEN/METAL DOOR

OPTIONS FOR PASSIVE DOOR LEAF PRODUCTS WITH THE LOCK CASE

ACTIVE DOOR	PASSIVE DOOR	PRODUCT CODE
Mechanical locking	Mechanical locking	PE911

Application

The push/pull function exit door lock case **ABLOY®** LE183 is recommended to be used in exit or emergency exit doors which are in passage or in entrances.

EN 179 - EMERGENCY EXIT

- EXIT BY HANDLE OR PUSH PAD

EN 1125 - PANIC EXIT

- EXIT BY PANIC BAR

Suitable for fire rated doors.

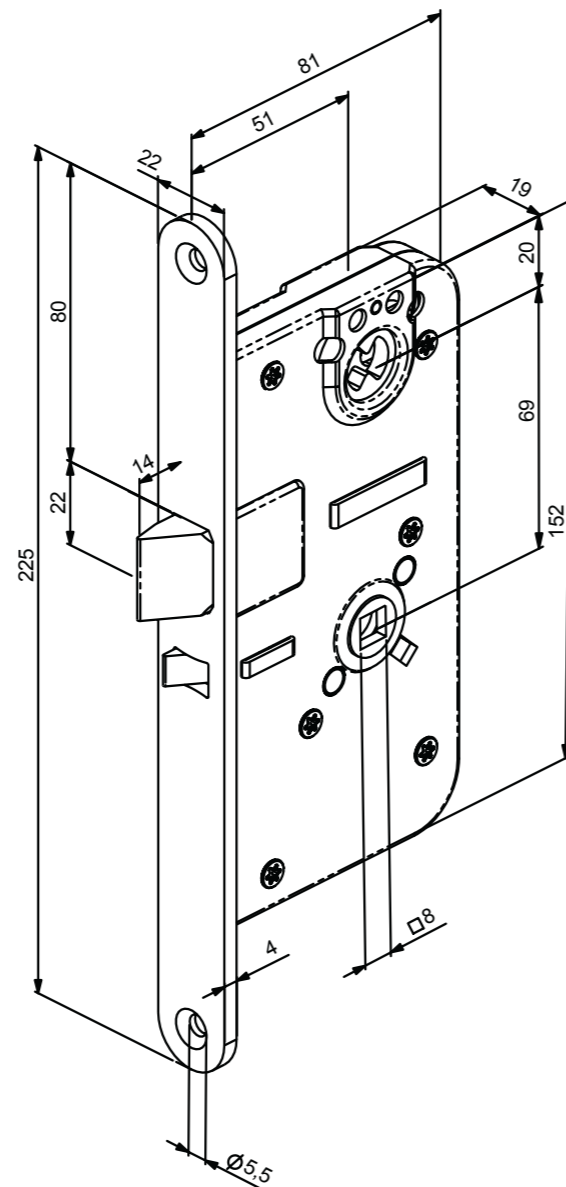
LE183x is the microswitch version of the lock.

Door operation

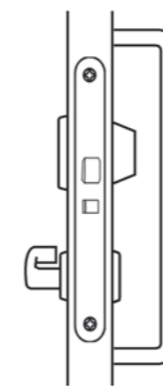
Push/pull function **ABLOY®** EXIT lock case with automatic deadlocking latch bolt. The lock is deadlocked always when the door is closed.

The lock can always be opened from the inside by handle or panic bar.

Strike plate is not needed in double door solutions.



LOCKS FOR EXIT DOOR SOLUTIONS



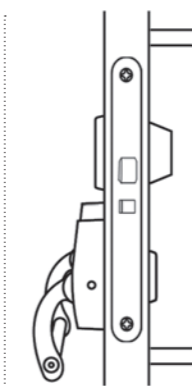
EN 179

EXAMPLE 1

- lock case LE183
- single cylinder CY037
- **ABLOY®** EXIT single handle for wooden/metal door
- door pull from **ABLOY®** product range



From the outside, the lock can be opened by key and door pull, **from the inside always by handle.**



EN 1125

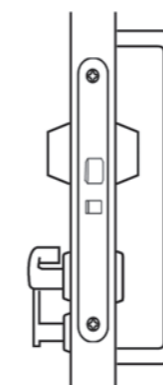
EXAMPLE 2

- lock case LE183
- single cylinder CY037
- **ABLOY®** EXIT panic bar PBE002
- door pull from **ABLOY®** product range



From the outside, the lock can be opened by key and door pull, **from the inside always by panic bar.**

LOCKS FOR EMERGENCY EXIT DOOR SOLUTIONS



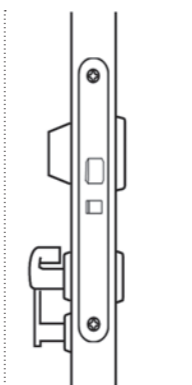
EN 179

EXAMPLE 1

- lock case LE183
- double cylinder CY002
- **ABLOY®** EXIT single handle for wooden/metal door
- **ABLOY®** EXIT seal EH900
- door pull from **ABLOY®** product range



The lock can be opened from the outside by key and door pull, from the inside by key. **In an emergency situation, the lock can always be opened from the inside by handle after breaking the seal.**



EN 179

EXAMPLE 2

- lock case LE183
- inside cylinder CY021
- **ABLOY®** EXIT single handle for wooden/metal door
- **ABLOY®** EXIT seal EH900



The lock can be opened from the inside by key. **In an emergency situation, the lock can always be opened from the inside by handle after breaking the seal.**

PUSH/PULL FUNCTION LOCK CASE LE186 FOR DOUBLE LEAF WOODEN/METAL DOOR

OPTIONS FOR PASSIVE DOOR LEAF PRODUCTS WITH THE LOCK CASE

ACTIVE DOOR	PASSIVE DOOR	PRODUCT CODE
Mechanical locking	Mechanical locking	PE911

Application

The push/pull function exit door lock case **ABLOY®** LE186 is recommended to be used in exit doors which are in passage or in entrances.

EN 179 - EMERGENCY EXIT

- EXIT BY HANDLE

EN 1125 - PANIC EXIT

- EXIT BY PANIC BAR

Not suitable for fire rated doors.

LE186x is the microswitch version of the lock.

Door operation

Push/pull function
ABLOY® EXIT lock case with automatic deadlocking.

The lock can always be opened from the inside by handle or panic bar.

Lock case functions can be selected with the forend snib.
To use the snib, the key must be turned in the cylinder.

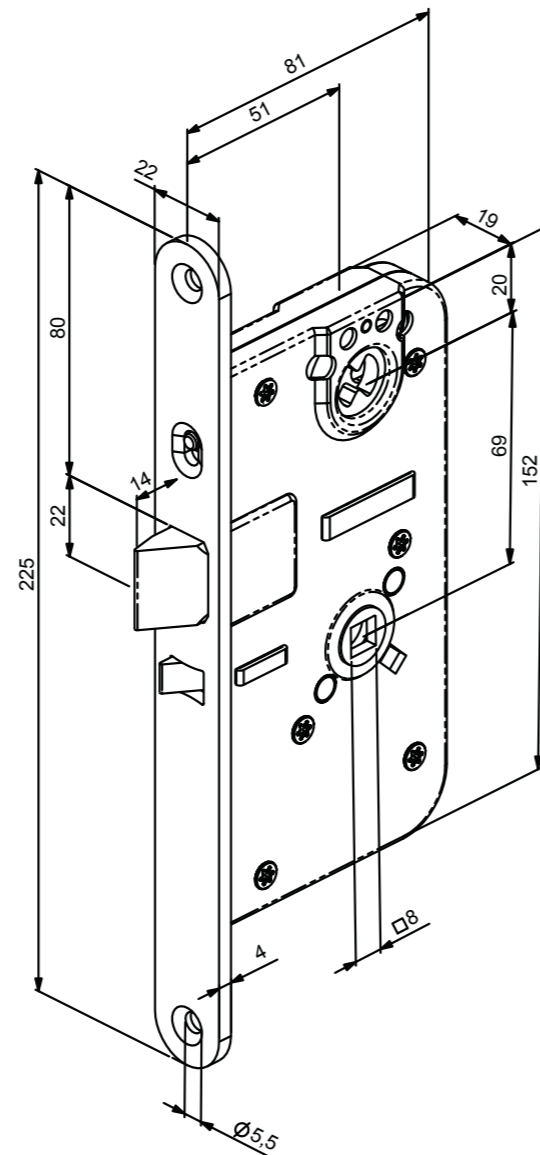
UPPER SNIB POSITION =

Deadlocking (locked position), bolt out 14 mm
The lock can be opened from the outside by key only (from the cylinder) and from the inside anytime by handle, or panic bar.

LOWER SNIB POSITION =

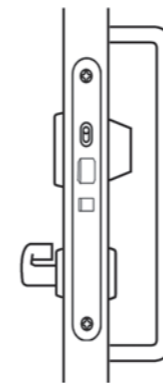
Day use (open position), the bolt is locked inside the lock case, and the lock can be opened from the outside by door pull and from the inside anytime by handle, or panic bar.

Strike plate is not needed in double door solutions.



LOCKS FOR EXIT DOOR SOLUTIONS

EN 179



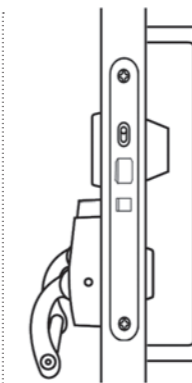
EXAMPLE 1

- lock case LE186
- single cylinder CY037
- **ABLOY®** EXIT single handle for wooden/metal door
- door pull from **ABLOY®** product range



In the locked position, the lock can be opened from the outside by key and door pull, **from the inside always by handle**. In the open position, the lock can be opened from the outside by door pull and from the inside by handle.

EN 1125



EXAMPLE 2

- lock case LE186
- single cylinder CY037
- **ABLOY®** EXIT panic bar PBE002
- door pull from **ABLOY®** product range



In the locked position, the lock can be opened from the outside by key and door pull, **from the inside always by panic bar**. In the open position, the lock can be opened from the outside by door pull and from the inside by panic bar.

HANDLE CONTROLLED LOCK CASE LE310 FOR SINGLE AND DOUBLE LEAF NARROW STILE DOOR

OPTIONS FOR PASSIVE DOOR LEAF PRODUCTS WITH THE LOCK CASE

ACTIVE DOOR	PASSIVE DOOR	PRODUCT CODE
Mechanical locking	Mechanical locking	PE901

Application

The handle controlled exit lock case **ABLOY®** LE310 is recommended to be used in exit doors which are in passage or in entrances.

EN 179 - EMERGENCY EXIT

- EXIT BY HANDLE

EN 1125 - PANIC EXIT

- EXIT BY PANIC BAR

Door operation

Handle controlled **ABLOY®** EXIT lock case with automatic deadlocking latch bolt.

The lock can always be opened from the inside by handle or panic bar.

Suitable for fire rated doors.

Lock case functions can be selected with the forend snib.

To use the snib, the key must be turned in the cylinder.

UPPER SNIB POSITION =

Deadlocking (locked position), bolt out 14 mm
The lock can be opened from the outside by key only (from the cylinder) and from the inside anytime by handle or panic bar.

LOWER SNIB POSITION =

Day use (open position)
The lock can be opened from the outside by handle and from the inside anytime by handle or panic bar.

LE310X is the microswitch version of the lock.

Striker plates

Single leaf doors: LP702, LP703
Strike plate is not needed in double door solutions.

LOCKS FOR EXIT DOOR SOLUTIONS



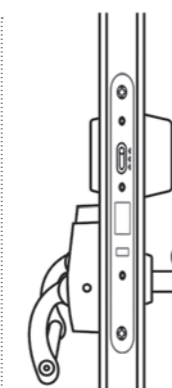
EN 179

EXAMPLE 1

- lock case LE310
- single cylinder CY063
- **ABLOY®** EXIT handle set for narrow stile door



In the locked position, the lock can be opened from the outside by key and handle, **from the inside always by handle**. In the open position, the lock can be opened from either side by handle.



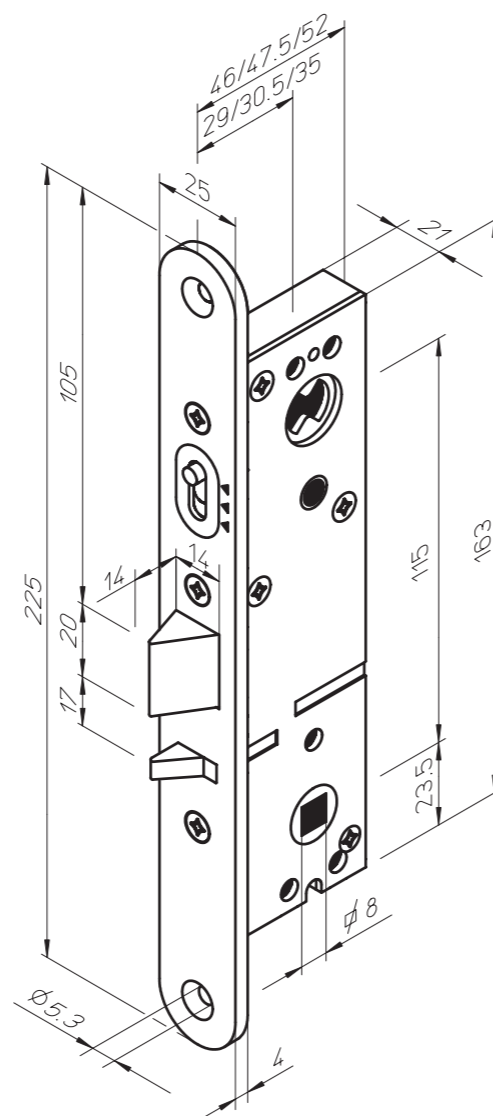
EN 1125

EXAMPLE 2

- lock case LE310
- single cylinder CY063
- **ABLOY®** EXIT panic bar PBE001
- narrow stile door outside single handle from **ABLOY®** product range



In the locked position, the lock can be opened from the outside by key and handle, **from the inside always by panic bar**. In the open position, the lock can be opened from the outside by handle and from the inside by panic bar.



PUSH/PULL FUNCTION LOCK CASE LE314 FOR SINGLE AND DOUBLE LEAF NARROW STILE DOOR

OPTIONS FOR PASSIVE DOOR LEAF PRODUCTS WITH THE LOCK CASE

ACTIVE DOOR	PASSIVE DOOR	PRODUCT CODE
Mechanical locking	Mechanical locking	PE901

Application

The push/pull function exit door lock case **ABLOY®** LE314 is recommended to be used in exit or emergency exit doors which are in passage or in entrances.

EN 179 - EMERGENCY EXIT
• EXIT BY HANDLE

EN 1125 - PANIC EXIT
• EXIT BY PANIC BAR

Door operation

Push/pull function
ABLOY® EXIT lock case with automatic deadlocking latch bolt.

The lock can always be opened from the inside by handle or panic bar.

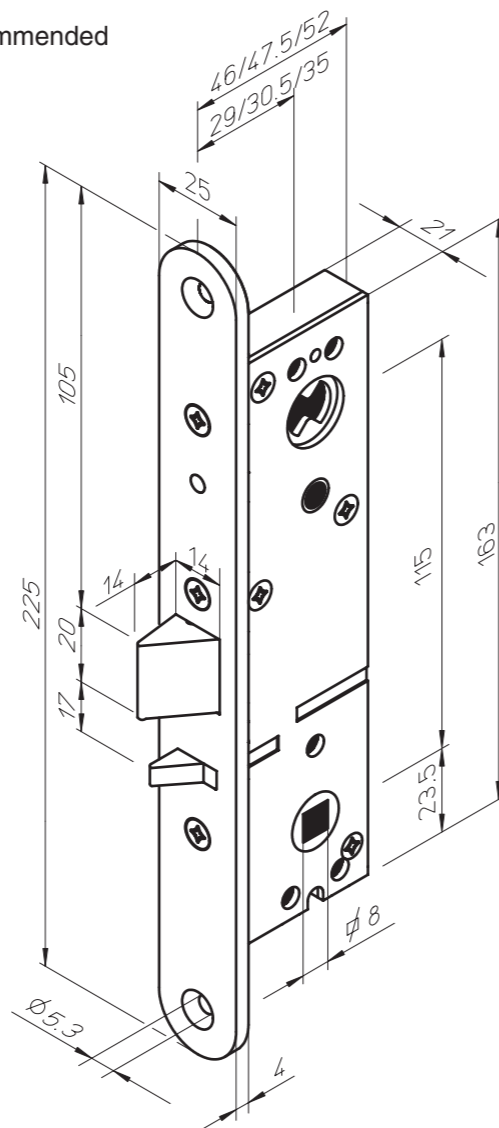
Suitable for fire rated doors.

The lock is deadlocked (locked position) always when the door is closed.

LE314X is the microswitch version of the lock.

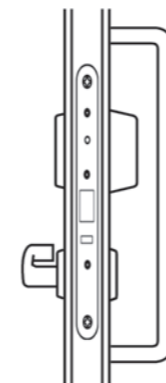
Striker plates

Single leaf doors: LP702, LP703
Strike plate is not needed in double door solutions.



LOCKS FOR EXIT DOOR SOLUTIONS

EN 179



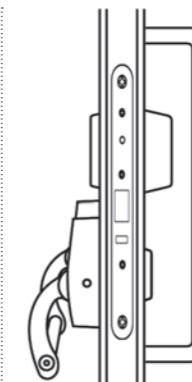
EXAMPLE 1

- lock case LE314
- single cylinder CY063
- **ABLOY®** EXIT single handle for narrow stile door
- door pull from **ABLOY®** product range



From the outside, the lock can be opened by key and door pull, **from the inside always by handle.**

EN 1125



EXAMPLE 2

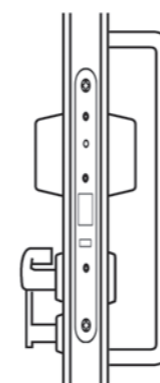
- lock case LE314
- single cylinder CY063
- **ABLOY®** EXIT panic bar PBE003
- door pull from **ABLOY®** product range



From the outside, the lock can be opened by key and door pull, **from the inside always by panic bar.**

LOCKS FOR EMERGENCY EXIT DOOR SOLUTIONS

EN 179



EXAMPLE 1

- lock case LE314
- double cylinder CY065
- **ABLOY®** EXIT single handle for narrow stile door
- **ABLOY®** EXIT seal EH900
- door pull from **ABLOY®** product range



The lock can be opened from the outside by key and door pull, from the inside by key.
In an emergency situation, the lock can always be opened from the inside by handle after breaking the seal.

EN 179



EXAMPLE 2

- lock case LE314
- inside cylinder CY064
- **ABLOY®** EXIT single handle for narrow stile door
- **ABLOY®** EXIT seal EH900



The lock can be opened from the inside by key.
In an emergency situation, the lock can always be opened from the inside by handle after breaking the seal.

PUSH/PULL FUNCTION LOCK CASE LE315 FOR SINGLE AND DOUBLE LEAF NARROW STILE DOOR

OPTIONS FOR PASSIVE DOOR LEAF PRODUCTS WITH THE LOCK CASE

ACTIVE DOOR	PASSIVE DOOR	PRODUCT CODE
Mechanical locking	Mechanical locking	PE901

Application

The push/pull function exit door lock case **ABLOY®** LE315 is recommended to be used in exit doors which are in passage or in entrances.

EN 179 - EMERGENCY EXIT

- EXIT BY HANDLE

EN 1125 - PANIC EXIT

- EXIT BY PANIC BAR

Door operation

Push/pull function
ABLOY® EXIT lock case with automatic deadlocking.

The lock can always be opened from the inside by handle or panic bar.

Not suitable for fire rated doors.

Lock case functions can be selected with the forend snib.

To use the snib, the key must be turned in the cylinder.

UPPER SNIB POSITION =

Deadlocking (locked position), bolt out 14 mm
The lock can be opened from the outside by key only (from the cylinder) and from the inside anytime by handle or panic bar.

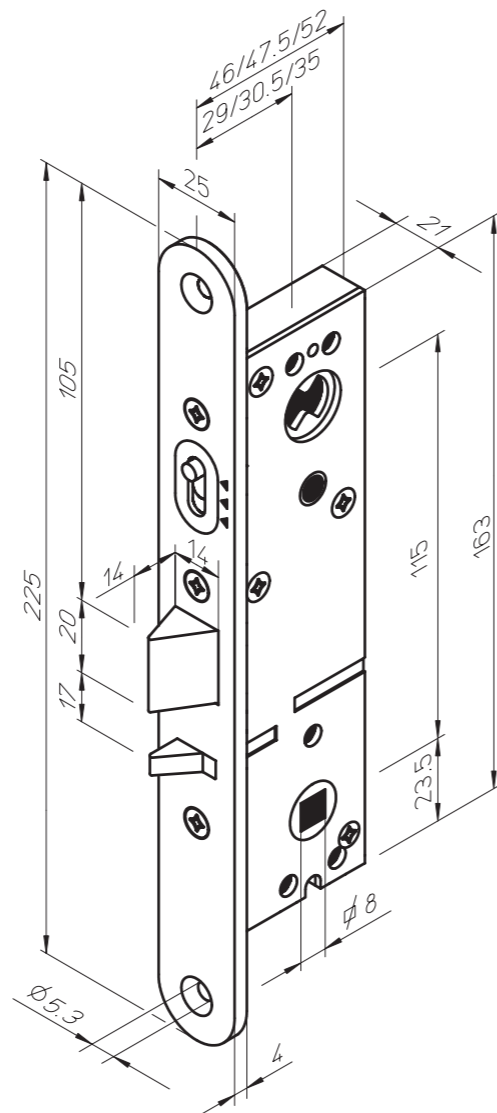
LOWER SNIB POSITION =

Day use (open position): the bolt is locked inside the lock case so that the lock can be opened from the outside by door pull and from the inside anytime by handle or panic bar.

LE315X is the microswitch version of the lock.

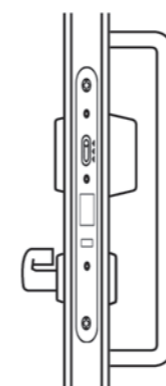
Striker plates

Single leaf doors: LP702, LP703
Strike plate is not needed in double door solutions.



LOCKS FOR EXIT DOOR SOLUTIONS

EN 179



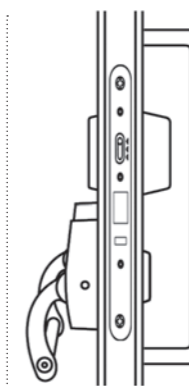
EXAMPLE 1

- lock case LE315
- single cylinder CY063
- **ABLOY®** EXIT single handle for narrow stile door
- door pull from **ABLOY®** product range



In the locked position, the lock can be opened from the outside by key and door pull, **from the inside always by handle**. In the open position, the lock can be opened from the outside by door pull and from the inside by handle.

EN 1125



EXAMPLE 2

- lock case LE315
- single cylinder CY063
- **ABLOY®** EXIT panic bar PBE003
- door pull from **ABLOY®** product range



In the locked position, the lock can be opened from the outside by key and door pull, **from the inside always by panic bar**. In the open position, the lock can be opened from the outside by door pull and from the inside by panic bar.

HANDLE CONTROLLED LOCK CASES FOR SINGLE LEAF DOORS

Applications

Handle controlled solenoid locks **ABLOY**® EL581 and PE580 are recommended to be used in the exit routes with medium or low traffic doors.

EN 179 - EMERGENCY EXIT

- EXIT BY HANDLE

EN 1125 - PANIC EXIT

- EXIT BY PANIC BAR

Door operation

When electric control is on, the lock can be opened by outside handle.

HANDLE OPERATION => EL580: Outside handle is electrically controlled, lock can always be opened from inside by exit handle (split spindle).

PANIC BAR=> PE580: Outside handle is electrically controlled, lock can always be opened from inside by panic bar (split spindle)

Suitable for fire rated doors.

Not suitable to be used with swing door automatics.

Settable functions:

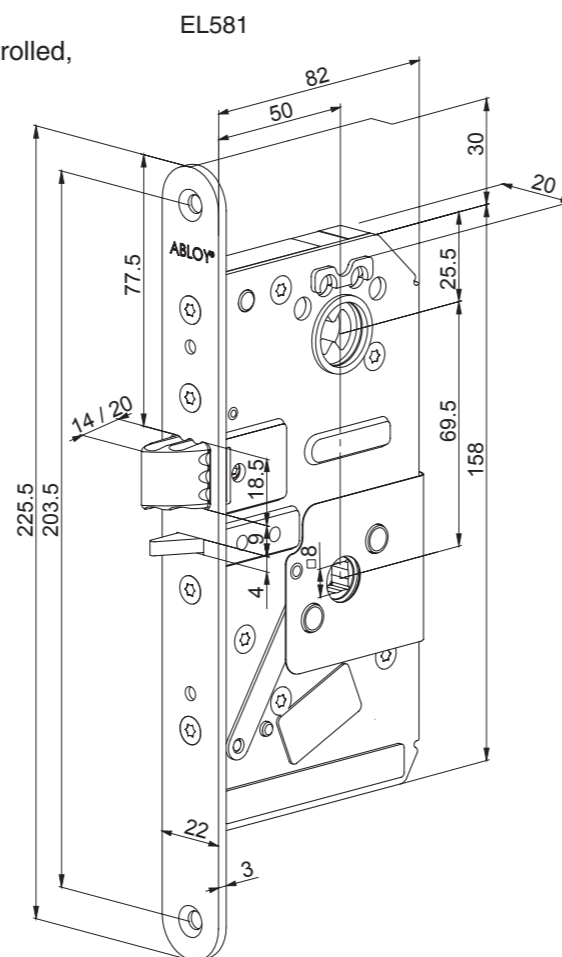
- handing
- bolt throw: 14 mm (fire doors) / 20 mm (only EL581)
- electrical function: fail secure / fail safe
- side of the exit handle / panic bar

Operation voltage: 12 - 24 V DC
Maximum current: 550 mA (12 V) 270 mA (24 V)
Operation temperature: -20° C - +60° C
Backset: 50 mm

Strike plates

Single doors:
Adjustable strike plates LP711, LP714, LP721, LP732
Strike plates for metal doors:

EN179; EA307, EA308
EN1125; LP702, LP703



ELECTRIC LOCKS FOR EXIT SOLUTIONS

EN 179

EXAMPLE 1

- lock case EL581
- Single cylinder CY037
- **ABLOY**® EXIT handles for wooden or metal doors

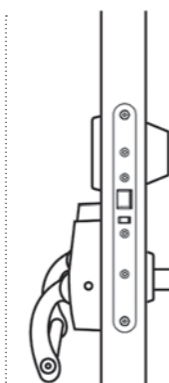


When electric control is on, the lock can be opened by outside handle. The lock can always be opened from the outside by key, and from **the inside by exit handle**.

EN 1125

EXAMPLE 2

- lock case PE580
- single cylinder CY037
- **ABLOY**® EXIT panic bar PBE001
- single handle for wooden or metal doors from **ABLOY**® product range



When electric control is on, the lock can be opened by outside handle. The lock can always be opened from the outside by key, and from **the inside by panic bar**.

HANDLE CONTROLLED LOCK CASES FOR DOUBLE LEAF DOORS

OPTIONS FOR PASSIVE DOOR LEAF PRODUCTS WITH EL580

ACTIVE DOOR	PASSIVE DOOR	PRODUCT CODE (incl. top and centre lock, bottom latch)
Electric locking	Mechanical locking	EXH/P/B910
Electric locking	Electrically controlled (does not confirm EN179)	PE912

Applications

Handle controlled solenoid lock case **ABLOY® EL580** is recommended to be used in exit routes with medium or low traffic.

EN 179 - EMERGENCY EXIT

- EXIT BY HANDLE

EN 1125 - PANIC EXIT

- EXIT BY PANIC BAR

Door operation

When electric control is on, the lock can be opened by outside handle.

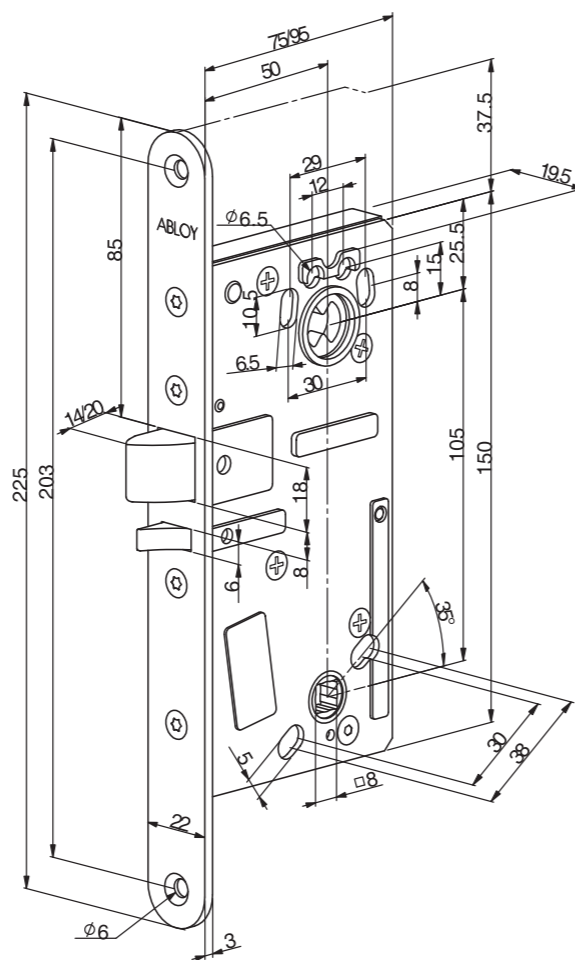
HANDLE AND PANIC BAR => EL580: Outside handle is electrically controlled, lock can always be opened from inside by exit handle or panic bar (split spindle).

Suitable for fire rated doors.
Not suitable to be used with swing door automatics.

Settable functions:

- handing
- bolt throw: 14 mm (fire doors) / 20 mm
- electrical function: fail secure / fail safe
- side of the exit handle / panic bar

Operation voltage: 12 - 24 V DC
Maximum current: 550 mA (12 V) 270 mA (24 V)
Operation temperature: -20° C - +60° C
Backset: 50 mm



ELECTRIC LOCKS FOR EXIT SOLUTIONS

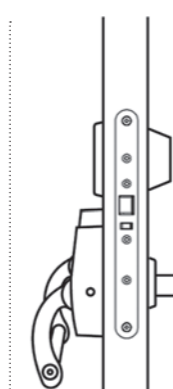


EXAMPLE 1

- lock case EL580
- single cylinder CY037
- **ABLOY® EXIT** handles for wooden or metal doors



When electric control is on, the lock can be opened from outside by handle. The lock can always be opened from the outside by key and from **the inside by exit handle.**



EN 1125

EXAMPLE 2

- lock case EL580
- single cylinder CY037
- **ABLOY® EXIT** panic bar PBE001
- single handle for wooden or metal doors from ABLOY product range



When electric control is on, the lock can be opened from outside by handle. The lock can always be opened from the outside by key and from **the inside by panic bar.**

MOTOR LOCKS FOR SINGLE WOODEN/METAL DOORS

Applications

EL593 and PE590 motor locks are recommended to be used in high traffic exit doors where push / pull function or door automatics are needed.

EN 179 - EMERGENCY EXIT

- EXIT BY HANDLE

EN 1125 - PANIC EXIT

- EXIT BY PANIC BAR

Door operation

When electric control is on, the door can be opened by pushing or pulling.

The door can always be opened by using inside handle or panic bar.

- Handle use is possible also in 2-way access controlled doors. To enable 2-way access control the inside handle needs to be disengaged by electrical control. This function does not meet EN179 demands!

- 2-way access controlled exit doors must always be approved by local authorities.
- Panic bar is not suitable in 2-way access controlled doors.

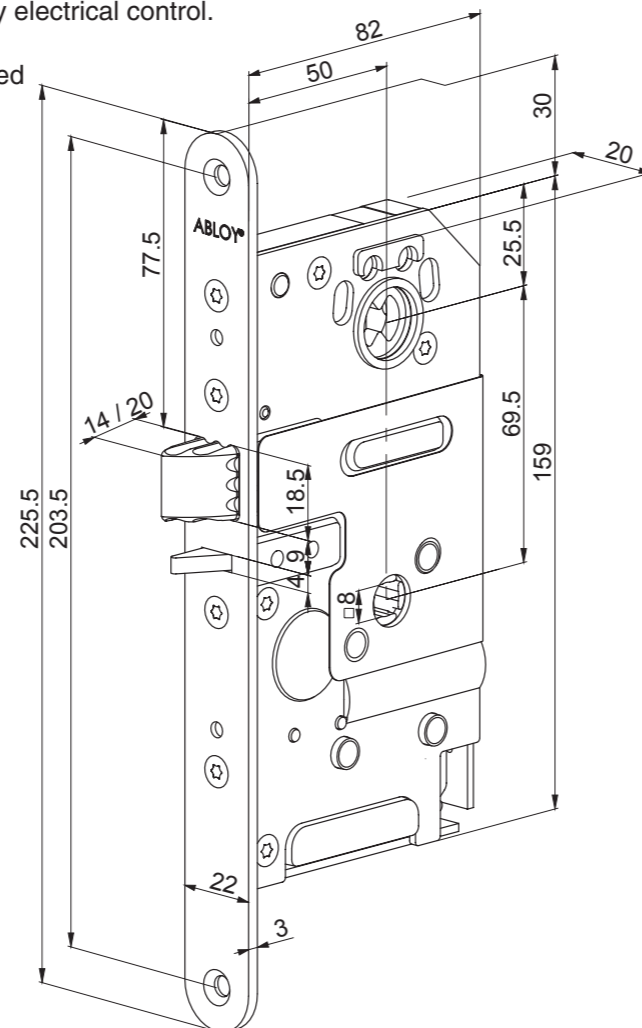
Suitable for fire rated doors.

Suitable to be used with swing door automatics

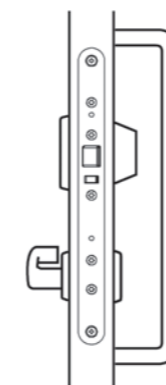
Operation voltage: 12 - 24 V DC
Maximum current: 700 mA (12 V) 1700 mA (24 V)
Operation temperature: -20° C - +60° C
Backset: 50 mm

Strike plates

Adjustable strike plates LP712, LP722, LP732
Strike plates for metal doors
EA307, EA308, 4613, 4614



ELECTRIC LOCKS FOR EXIT SOLUTIONS



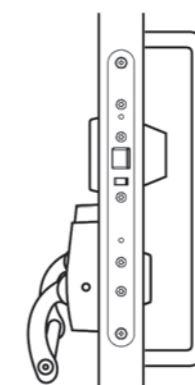
EN 179

EXAMPLE 1

- lock case EL593
- single cylinder CY037
- **ABLOY**® EXIT single handle for wooden or metal doors
- Door pull from **ABLOY** product range



When electric control is on, the lock can be opened from outside by door pull. The lock can always be opened from the outside by key and from **the inside by exit handle.**



EN 1125

EXAMPLE 2

- lock case EL593
- single cylinder CY037
- **ABLOY**® EXIT panic bar PBE002
- door pull from **ABLOY** product range



When electric control is on, the lock can be opened from outside by door pull. The lock can always be opened from the outside by key and from **the inside by panic bar.**

MOTOR LOCK FOR DOUBLE LEAF WOODEN / METAL DOORS

OPTIONS FOR PASSIVE DOOR LEAF PRODUCTS WITH PE592

ACTIVE DOOR	PASSIVE DOOR	PRODUCT CODE (incl. top and centre lock, bottom latch)
Electric locking	Mechanical locking	PE910
Electric locking	Electric locking / swing door operator	PE913

Applications

PE592 motor locks is recommended to be used in high traffic exit doors where push / pull function or door automatics is needed.

EN 179 - EMERGENCY EXIT

- EXIT BY HANDLE

EN 1125 - PANIC EXIT

- EXIT BY PANIC BAR

Suitable for fire rated doors.
Suitable to be used with swing door automatics.

Door operation

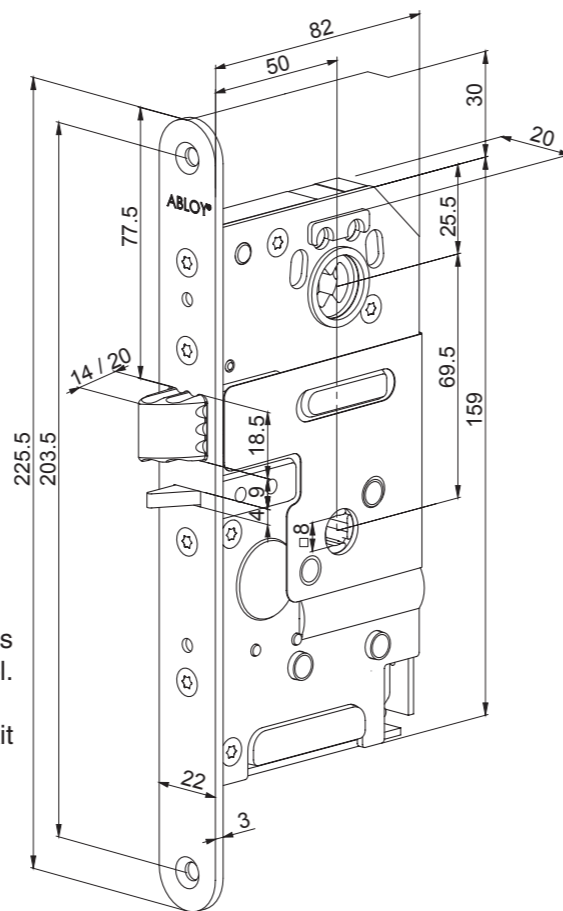
Door can be opened pushing / pulling, when electrical control is on.

Settable functions:
- handing

- Inside handle or panic bar opens the door always
- Handle use is possible in 2-way access controlled doors. Handle needs to be disengaged by electrical control to enable 2-way access control. This function does not meet EN179 demands!
- Local authorities must always approve 2-way access controlled exit doors.
- Panic bar is not suitable in 2-way access controlled doors.

Operation voltage: 12 - 24 V DC
Maximum current: 700 mA (12 V) 1700 mA (24 V)
Operation temperature: -20° C - +60° C
Backset: 50 mm

Strike plate is not needed in double door solutions.

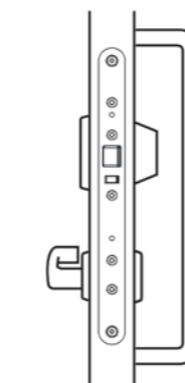


ELECTRIC LOCKS FOR EXIT SOLUTIONS

EN 179

EXAMPLE 1

- lock case PE592
- single cylinder CY037
- **ABLOY®** EXIT single handle for wooden or metal doors
- door pull from ABLOY product range

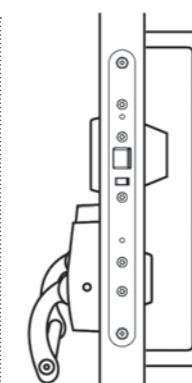


When electric control is on, the lock can be opened from outside by door pull. The lock can always be opened from the outside by key and from **the inside by exit handle.**

EN 1125

EXAMPLE 2

- lock case PE592
- single cylinder CY037
- **ABLOY®** EXIT panic bar PBE002
- door pull from ABLOY product range



When electric control is on, the lock can be opened from outside by door pull. The lock can always be opened from the outside by key and from **the inside by panic bar.**

PUSH/ PULL FUNCTION LOCK CASE FOR SINGLE WOODEN/METAL DOORS

Applications

The double action bolt structure of **ABLOY® EL502** enables quick and easy opening by pushing or pulling. EL502 is recommended to be used in medium or low traffic exit doors. Can also be used in swinging doors.

EN 179 - EMERGENCY EXIT
• EXIT BY PUSH PAD
 (push pad - cylinder)

Door operation

When electric control is on, the door can be opened by pushing or pulling. The lock can always be opened from the inside by push pad.

Not suitable for fire rated doors.
Not recommended to be used in doors with seal force.
Suitable to be used with swing door automatics in light weight doors.

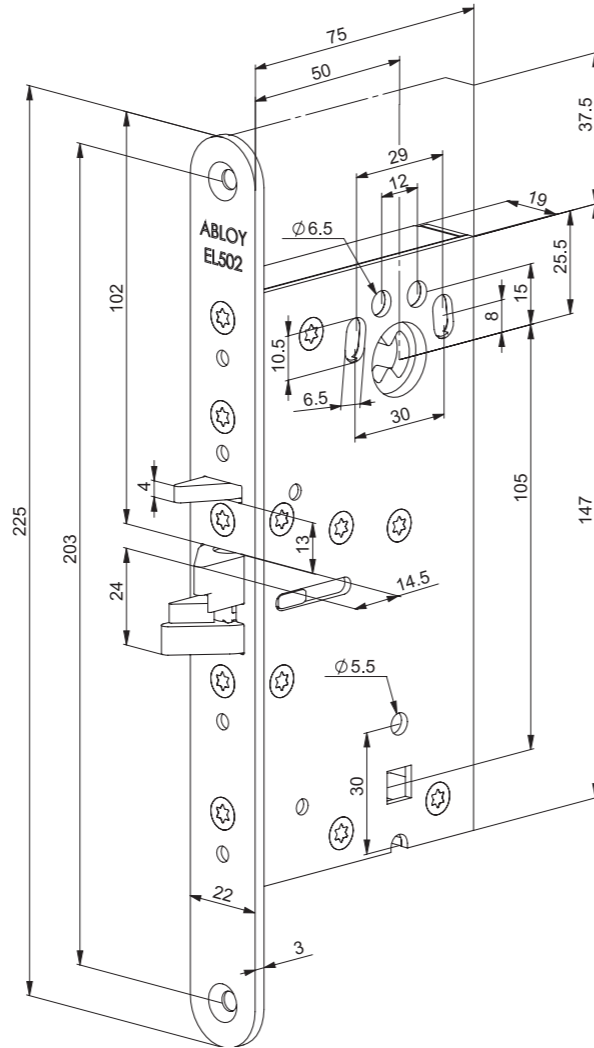
Settable functions:

- Non-handed, symmetrical trigger bolt
- Electrical function: fail secure or fail safe

Operation voltage: 12 - 24 V DC
 Maximum current: 550 mA (12 V) 270 mA (24 V)
 Operation temperature: -20° C - +60° C
 Backset: 50 mm

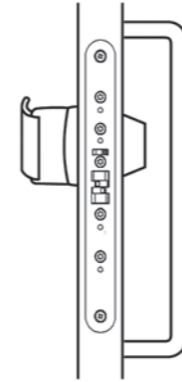
Strike plates

Adjustable strike plates LP711, LP714, LP721
 Strike plates for metal doors EA307, EA308, 4613, 4614



ELECTRIC LOCKS FOR EXIT SOLUTIONS

EN 179



EXAMPLE 1

- lock case EL502
- **ABLOY®** EXIT cylinder - push pad CY077
- door pull from ABLOY product range



When electric control is on, the door can be opened by pushing or pulling. The lock can always be opened from the outside by key, and from **the inside by push pad.**

HANDLE CONTROLLED LOCK CASE FOR SINGLE AND DOUBLE LEAF NARROW STILE DOORS

ELECTRIC LOCKS FOR EXIT SOLUTIONS

OPTIONS FOR PASSIVE DOOR LEAF PRODUCTS WITH EL480

ACTIVE DOOR	PASSIVE DOOR	PRODUCT CODE (incl. top and centre lock, bottom latch)
Electric locking	Mechanical locking	PE900
Electric locking	Electrically controlled (does not confirm EN179)	PE902

Applications

Handle controlled solenoid lock case **ABLOY®** EL480 is recommended to be used in exit routes with medium or low traffic

- EN 179 - EMERGENCY EXIT**
- EXIT BY HANDLE

- EN 1125 - PANIC EXIT**
- EXIT BY PANIC BAR

Door operation

Outside handle is electrically controlled, lock can always be opened from inside by exit handle or panic bar (split spindle).

Suitable for fire rated doors.
Not suitable to be used with swing door automatics.

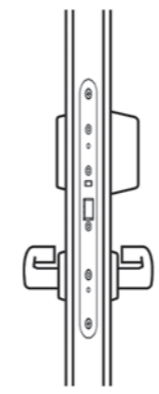
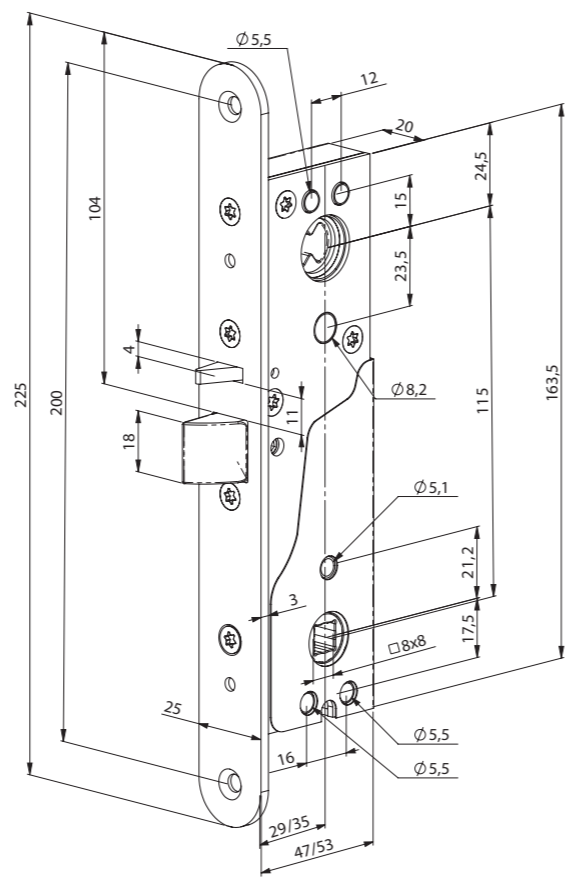
- Settable functions:
- handing
 - electrical function: fail secure / fail safe
 - side of the exit handle / panic bar

Operation voltage: 12 - 24 V DC
 Maximum current: 550 mA (12 V) 270 mA (24 V)
 Operation temperature: -20° C - +60° C
 Backset: 29 mm, 35 mm

Strike plates

Single doors: EN179; EA307, EA308
 EN1125; LP702, LP703

Strike plate is not needed in double door solutions.



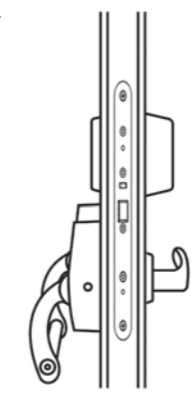
EN 179

EXAMPLE 1

- lock case EL480
- single cylinder CY063
- **ABLOY®** EXIT handle for narrow stile doors



When electric control is on, the lock can be opened from outside by handle. The lock can always be opened from the outside by key and from **the inside by exit handle.**



EN 1125

EXAMPLE 2

- lock case EL480
- single cylinder CY063
- **ABLOY®** EXIT panic bar PBE001
- single handle for narrow stile doors from **ABLOY** product range



When electric control is on, the lock can be opened by outside handle. The lock can always be opened from the outside by key and from **the inside by panic bar.**

MOTOR LOCK CASE FOR SINGLE AND DOUBLE LEAF NARROW STILE DOORS

OPTIONS FOR PASSIVE DOOR LEAF PRODUCTS WITH EL490

ACTIVE DOOR	PASSIVE DOOR	PRODUCT CODE (incl. top and centre lock, bottom latch)
Electric locking	Mechanical locking	PE900
Electric locking	Electric locking / Swing door operator	PE903

Applications

ABLOY® EL490 motor lock is recommended to be used in high traffic exit doors where push / pull function or door automatics are needed.

EN 179 - EMERGENCY EXIT

- EXIT BY HANDLE

EN 1125 - PANIC EXIT

- EXIT BY PANIC BAR

Door operation

When electric control is on, the door can be opened by pushing or pulling.

- Inside handle or panic bar opens the door always
- Handle use is possible in 2-way access controlled doors. Handle needs to be disengaged by electrical control to enable 2-way access control. This function does not meet EN179 demands!
 - Local authorities must always approve 2-way access controlled exit doors.
 - Panic bar is not suitable in 2-way access controlled doors.

Suitable for fire rated doors.
Suitable to be used with swing door automatics.

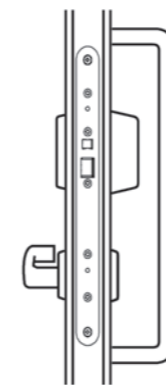
Operation voltage: 12 - 24 V DC
 Maximum current: 700 mA (12 V) 1700 mA (24 V)
 Operation temperature: -20° C - +60° C
 Backset: 29 mm, 35 mm

Strike plates

Single doors: EN179; EA307, EA308
 EN1125; LP702, LP703

Strike plate is not needed in double door solutions.

ELECTRIC LOCKS FOR EXIT SOLUTIONS



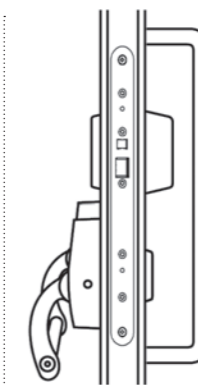
EN 179

EXAMPLE 1

- lock case EL490
- single cylinder CY063
- ABLOY® EXIT single handle for narrow stile doors
- Door pull from ABLOY product range



When electric control is on, the lock can be opened from outside by door pull. The lock can always be opened from the outside by key and from **the inside by exit handle.**



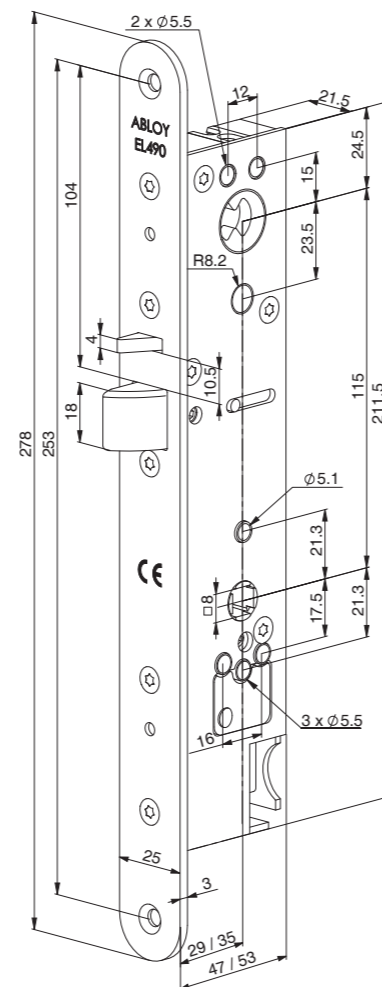
EN 1125

EXAMPLE 2

- lock case EL490
- single cylinder CY063
- ABLOY® EXIT panic bar PBE003
- door pull from ABLOY product range



When electric control is on, the lock can be opened from outside by door pull. The lock can always be opened from the outside by key and from **the inside by panic bar.**



PUSH / PULL FUNCTION LOCK CASE FOR SINGLE NARROW STILE DOORS

Applications

The double action bolt structure of **ABLOY**® EL402 enables quick and easy opening by pushing or pulling. EL402 is recommended to be used in medium or low traffic exit doors. Can also be used in swinging doors.

EN 179 - EMERGENCY EXIT

- EXIT BY PUSH PAD
(push pad - cylinder)

Door operation

When electric control is on, the door can be opened by pushing or pulling. The lock can always be opened from the inside by push pad.

Not suitable for fire rated doors.
Not recommended to be used in doors with seal force.
**Suitable to be used with swing door
automatics in light weight doors.**

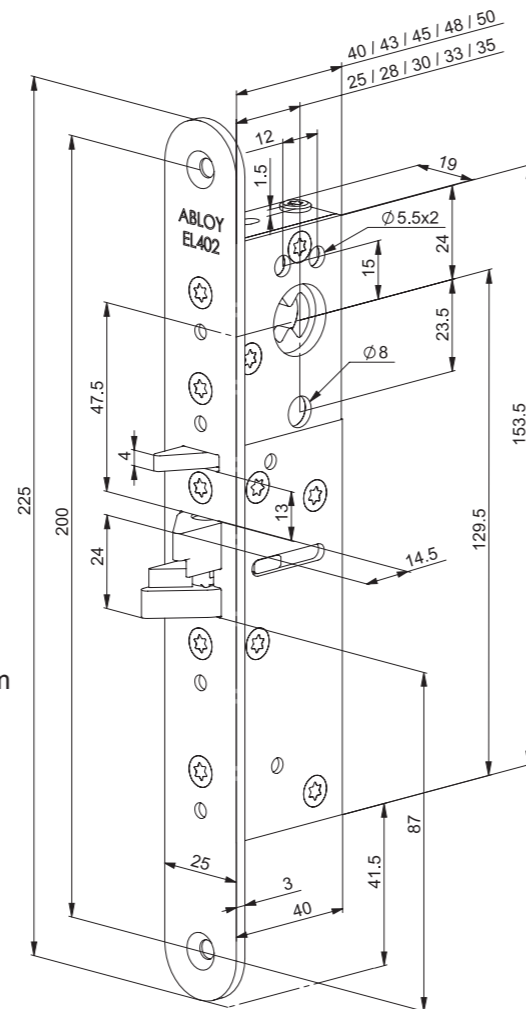
Settable functions:

- Adjustable backset
- Non-handed, symmetrical trigger bolt
- Electrical function: fail secure or fail safe

Operation voltage: 12 - 24 V DC
Maximum current: 550 mA (12 V) 270 mA (24 V)
Operation temperature: -20° C - +60° C
Backset: 25 mm, 28 mm, 30 mm, 33 mm, 35 mm

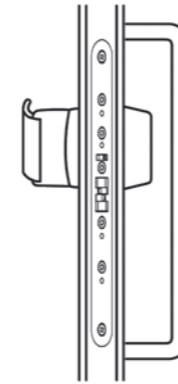
Strike plates

EA307, EA308, 4613, 4614



ELECTRIC LOCKS FOR EXIT SOLUTIONS

EN 179



EXAMPLE 1

- lock case EL402
- **ABLOY**® EXIT cylinder - push pad CY080
- door pull from ABLOY product range



When electric control is on, the door can be opened by pushing or pulling. The lock can always be opened from the outside by key, and from **the inside by push pad.**

HANDLE OPERATED MECHANICAL WOODEN/ METAL PASSIVE DOOR

Lock case for active door

- The following lock cases can be used in active door :
- Mechanical lock case LE181, LE183 or LE186
 - Electric lock EL580 or PE592 (with exit handle / panic bar)

Options for passive door leaf products.

PASSIVE DOOR	ACTIVE DOOR	PRODUCT CODE (incl. top and centre lock, bottom latch)
Mechanical locking	Mechanical locking	PE911
Mechanical locking	Electric locking	PE910

Applications

Minimum width of passive door is 500 mm. Solutions are used in wooden or metal passive door leaf. Passive door solution can be used together with:

- mechanical locking in active door
- 1-way access controlled electromechanical locking in active door.

The passive door can always be opened from inside by exit handle or panic bar

- EN 179 - EMERGENCY EXIT**
- EXIT BY HANDLE

- EN 1125 - PANIC EXIT**
- EXIT BY PANIC BAR

Mechanical passive door solution

Mechanical passive door solution consists from three locking devices: bottom latch, top lock and centre lock.

PE911 includes:

- bottom latch LE980
- top lock LE981
- centre lock LE982


PE910 includes:

- bottom latch LE980
- top lock LE981
- centre lock LE953

Strike plate for top lock

- EA307, EA308. 4613 or 4614

MECHANICAL PASSIVE DOOR




EN 179
MECHANICAL LOCKING IN ACTIVE DOOR

EXAMPLE 1

- PE911
- **ABLOY**® EXIT single handle for wooden or metal doors
- **ABLOY**® EXIT seal EH900 when required



Passive door can always be opened by inside handle. **If there is an EXIT seal, it will break when handle is used = emergency exit.**




EN 1125
MECHANICAL LOCKING IN ACTIVE DOOR

EXAMPLE 2

- PE911
- **ABLOY**® EXIT panic bar PBE002



Passive door can always be opened by panic bar.



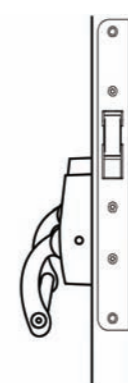
EN 179
ELECTRIC LOCKING IN ACTIVE DOOR

EXAMPLE 3

- PE910
- **ABLOY**® EXIT single handle for wooden or metal doors
- **ABLOY**® EXIT seal EH900 when required



Passive door can always be opened by inside handle. **If there is an EXIT seal, it will break when handle is used = emergency exit.**



EN 1125
ELECTRIC LOCKING IN ACTIVE DOOR

EXAMPLE 4

- PE910
- **ABLOY**® EXIT panic bar PBE002



Passive door can always be opened by panic bar.

ELECTRIC PASSIVE DOOR SOLUTION FOR SWING DOOR AUTOMATICS , WOODEN/METAL DOORS

Lock case for active door

Compatible motor lock PE592 with exit handle or panic bar.

Options for passive door leaf products.

PASSIVE DOOR	ACTIVE DOOR	PRODUCT CODE (incl. top and centre lock, bottom latch)
Electric locking	Electric locking	PE913

Applications

Minimum width of passive door is 500 mm.

Solutions are used in wooden or metal passive door leaf.

Passive door solution can be used together with:

- 1-way access controlled or time controlled doors
- electrical locking in active door, swing door automatics opens both doors.

The passive door can always be opened by exit handle or panic bar.

Electric passive door solution

Electric passive door solution consists from three locking devices: bottom latch, top lock and centre lock.

PE913 includes:

- bottom latch LE980
- top lock PE951
- centre lock LE953

Strike plate for top lock

- EA307, EA308. 4613 or 4614

ELECTRIC PASSIVE DOOR WITH SWING DOOR AUTOMATICS

EN 179



ELECTRIC LOCKING IN ACTIVE DOOR

EXAMPLE 1

- PE913
- **ABLOY**® EXIT single handle for wooden or metal doors



OPEN / DAY USE (Lock is open)

Both door leaves open automatically for example by radars, both for entrance and exit.

Both door leaves can always be opened by exit handle for safe exit.

LOCKED / NIGHT USE

The active door opens only for example by card reader. Card reader or other authorization can open also both doors automatically.

Both door leaves can always be opened by exit handle for safe exit.

When choosing impulse and safety devices to swing door automatics, the safety and functionality of door environment has to be taken into account.

EN 1125



ELECTRIC LOCKING IN ACTIVE DOOR

EXAMPLE 2

- PE913
- **ABLOY**® EXIT panic bar PBE002



OPEN / DAY USE (Lock is open)

Both door leaves opens automatically for example by radars, both for entrance and exit.

Both door leaves can always be opened by panic bar for safe exit.

LOCKED / NIGHT USE

The active door opens for example by card reader. Card reader or other authorization can open also both doors automatically. Both door leaves can always be opened by panic bar for safe exit.

When choosing impulse and safety devices to swing door automatics, the safety and functionality of door environment has to be taken into account.

Lock case for active door

- The following lock cases are compatible :
- Mechanical lock case LE310, LE314 or LE315
 - Electric lock EL480 or EL490 (with exit handle or panic bar)

Options for passive door leaf products.

PASSIVE DOOR	ACTIVE DOOR	PRODUCT CODE (incl. top and centre lock, bottom latch)
Mechanical locking	Mechanical locking	PE901
Mechanical locking	Electric locking	PE900

Applications

Minimum width of passive door is 500 mm.
Solutions are used in narrow stile passive door leaf.
Passive door solution can be used together with:

- mechanical locking in active door
- electromechanical 1-way access control in active door

The passive door can always be opened by exit handle or panic bar.

Mechanical passive door solution

Mechanical passive door solution consists from three locking devices: bottom latch, top lock and centre lock. PE901 includes:

- bottom latch LE930
- top lock LE931
- centre lock LE932

PE900 includes:

- bottom latch LE930
- top lock LE931
- centre lock LE943

Strike plate for top lock



- EA307, EA308, 4613 or 4614

EN 179

MECHANICAL LOCKING IN ACTIVE DOOR

EXAMPLE 1

- PE901
- **ABLOY®** EXIT single handle for narrow stile doors
- **ABLOY®** EXIT seal EH900 when required

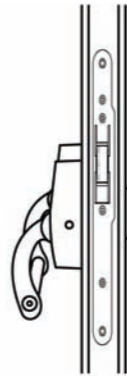

Passive door can always be opened by inside handle. **If there is an EXIT seal, it will break when handle is used = emergency exit.**

EN 1125

MECHANICAL LOCKING IN ACTIVE DOOR

EXAMPLE 2

- PE901
- **ABLOY®** EXIT panic bar PBE003



Passive door can always be opened by panic bar.

EN 179

ELECTRIC LOCKING IN ACTIVE DOOR

EXAMPLE 3

- PE900
- **ABLOY®** EXIT single handle for narrow stile doors
- **ABLOY®** EXIT seal EH900 when required



Passive door can always be opened by inside handle. **If there is an EXIT seal, it will break when handle is used = emergency exit.**

EN 1125

ELECTRIC LOCKING IN ACTIVE DOOR

EXAMPLE 4

- PE900
- **ABLOY®** EXIT panic bar PBE0033

Passive door can always be opened by panic bar.

ELECTRIC PASSIVE DOOR SOLUTION FOR SWING DOOR AUTOMATICS , NARROW STILE DOORS

Lock case for active door

Compatible motor lock EL490 with exit handle or panic bar.

Options for passive door leaf products.

PASSIVE DOOR	ACTIVE DOOR	PRODUCT CODE (incl. top and centre lock, bottom latch)
Electric locking	Electric locking	PE903

Applications

Minimum width of passive door is 500 mm.
 Solutions are used in narrow stile passive door leaf with high traffic.
 Passive door solution can be used together with:
 - electrical locking in active door
 - swing door automatics opens both doors
 The passive door can always be opened by exit handle or panic bar.
 The passive door leaf is primarily used in emergency and panic situations.

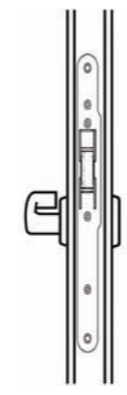
Electric passive door solution

Electric passive door solution consists from three locking devices: bottom latch, top lock and centre lock.
 PE903 includes:
 - bottom latch LE930
 - top lock PE941
 - centre lock LE943

Strike plate for top lock
 - EA307, EA308. 4613 or 4614

ELECTRIC PASSIVE DOOR WITH SWING DOOR AUTOMATICS

EN 179



ELECTRIC LOCKING IN ACTIVE DOOR

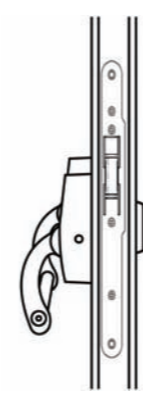
EXAMPLE 1

- PE903
- **ABLOY**® EXIT single handle for narrow stile doors
- **ABLOY**® EXIT seal EH900 when required



OPEN / DAY USE (Lock is open)
 Both door leaves open automatically for example by radars, both for entrance and exit.
 Both door leaves can always be opened by exit handle for safe exit.
LOCKED / NIGHT USE
 The active door opens only for example by card reader. Card reader or other authorization can open also both doors automatically.
 Both door leaves can always be opened by exit handle for safe exit.
 When choosing impulse and safety devices to swing door automatics, the safety and functionality of door environment has to be taken into account.

EN 1125



ELECTRIC LOCKING IN ACTIVE DOOR

EXAMPLE 2

- PE903
- **ABLOY**® EXIT panic bar PBE003

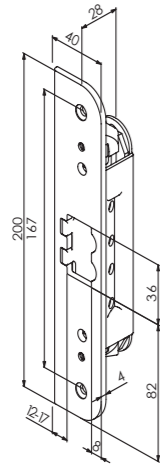


OPEN / DAY USE (Lock is open)
 Both door leaves opens automatically for example by radars, both for entrance and exit.
 Both door leaves can always be opened by panic bar for safe exit.
LOCKED / NIGHT USE
 The active door opens for example by card reader. Card reader or other authorization can open also both doors automatically. Both door leaves can always be opened by panic bar for safe exit. When choosing impulse and safety devices to swing door automatics, the safety and functionality of door environment has to be taken into account.

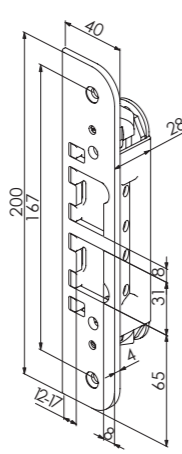
STRIKER PLATES

FLUSH DOORS

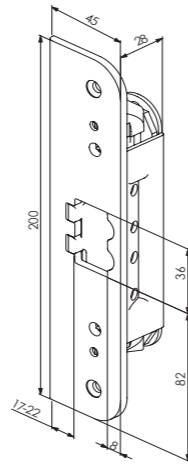
LP711



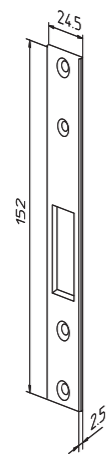
LP712



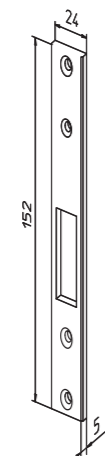
LP714



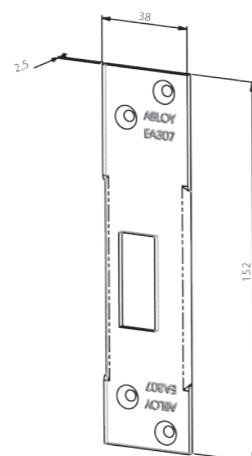
4613



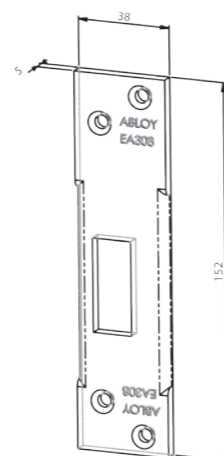
4614



EA307

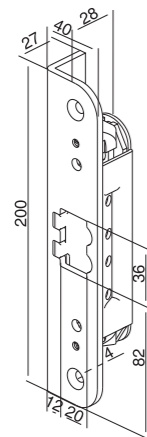


EA308

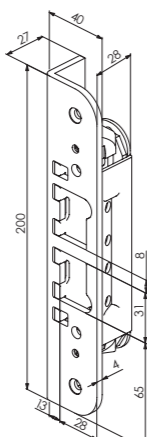


REBATED DOORS

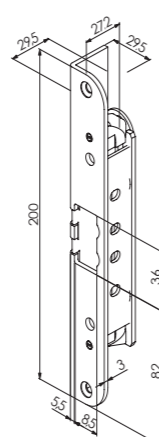
LP721



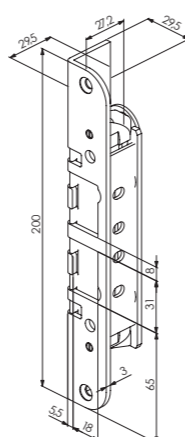
LP722



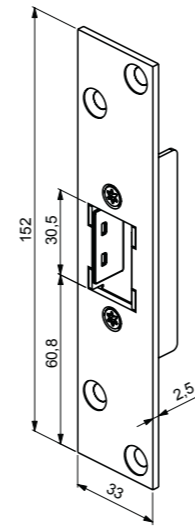
LP731



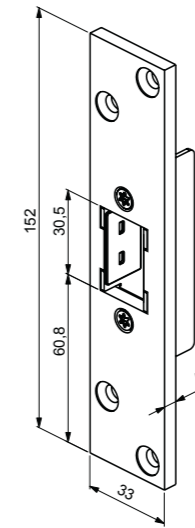
LP732



LP702

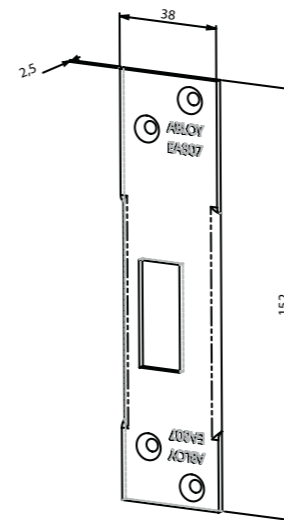


LP703

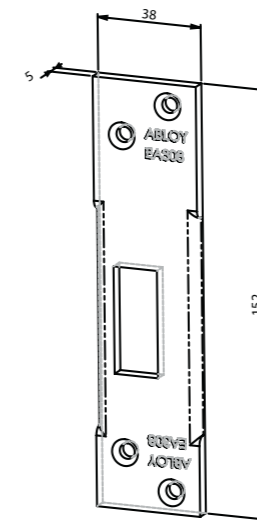


STRIKER PLATES FOR PASSIVE DOOR TOP LOCK

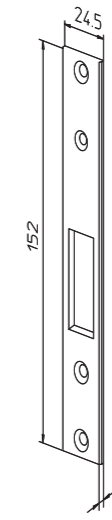
EA307



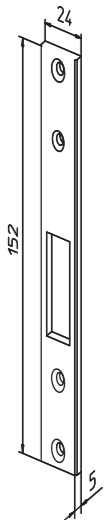
EA308



4613



4614



Surely you know that the...
BRASS AND ALUMINIUM HANDLES

- are available in various surface finishes (the brochure includes standard products only)
- are available with **ABLOY®** ACTIVE surface finishes.

ABLOY® EXIT HANDLE SETS FOR WOODEN/METAL DOOR

Product	Product number	Dimensional drawing	Surface finish Please check availability from Abloy's Architectural Hardware customer service
INOXI 3-19/032 (return spring + split spindle) door thickness 44-61 mm	EH070		
INOXI 3-19K/032 (return spring + split spindle) door thickness 44-61 mm	EH073		
PRESTO 3-20/032 (return spring + split spindle) door thickness 44-61 mm	EH060		
STRATO 13/032 O right (return spring + split spindle) door thickness 44-61 mm	EH013		
STRATO 13/032 V left (return spring + split spindle) door thickness 44-61 mm	EH013		
FORUM EXIT 4/032 (return spring + split spindle) door thickness 44-61 mm	EH004		
POLAR EXIT 6/032 (return spring + split spindle) door thickness 44-61 mm	EH006		

ABLOY® EXIT INSIDE SINGLE HANDLES WITH OUTSIDE SECURITY
PLATE FOR WOODEN/METAL DOOR

Product	Product number	Dimensional drawing	Surface finish Please check availability from Abloy's Architectural Hardware customer service
Single handle INOXI 3-19/030 (return spring + spindle) door thickness 50-65 mm	EH070		
Single handle INOXI 3-19K/030 (return spring + spindle) door thickness 50-65 mm	EH073		
Single handle PRESTO 3-20/030 (return spring + spindle) door thickness 50-65 mm	EH060		
Single handle STRATO 13/030 O right (return spring + spindle) door thickness 50-65 mm	EH013		
Single handle STRATO 13/030 V left (return spring + spindle) door thickness 50-65 mm	EH013		
Single handle FORUM EXIT 4/030 (return spring + spindle) door thickness 50-65 mm	EH004		
Single handle POLAR EXIT 6/030 (return spring + spindle) door thickness 50-65 mm	EH006		

ABLOY® EXIT HANDLE SETS FOR NARROW STILE DOOR

Product	Product number	Dimensional drawing	Surface finish Please check availability from Abloy's Architectural Hardware customer service
INOXI 3-19/0650 (return spring + split spindle) door thickness 38-54 mm	EH070		
INOXI 3-19K/0650 (return spring + split spindle) door thickness 38-54 mm	EH073		
PRESTO 3-20/0650 (return spring + split spindle) door thickness 38-54 mm	EH060		
STRATO 13/0650 O right (return spring + split spindle) door thickness 38-54 mm	EH013		
STRATO 13/0650 V left (return spring + split spindle) door thickness 38-54 mm	EH013		
FORUM EXIT 4/0650 (return spring + split spindle) door thickness 38-54	EH004		
POLAR EXIT 6/0650 (return spring + split spindle) door thickness 38-54 mm	EH006		

ABLOY® EXIT SINGLE HANDLES WITH OUTSIDE SECURITY PLATE FOR NARROW STILE DOOR

Product	Product number	Dimensional drawing	Surface finish Please check availability from Abloy's Architectural Hardware customer service
Single handle INOXI 3-19/0630 (return spring + spindle) door thickness 45-60 mm	EH070		
Single handle INOXI 3-19K/0630 (return spring + spindle) door thickness 45-60 mm	EH073		
Single handle PRESTO 3-20/0630 (return spring + spindle) door thickness 45-60 mm	EH060		
Single handle STRATO 13/0630 O right (return spring + spindle) door thickness 45-60 mm	EH013		
Single handle STRATO 13/0630 V left (return spring + spindle) door thickness 45-60 mm	EH013		
Single handle FORUM EXIT 4/0630 (return spring + spindle) door thickness 45-60	EH004		
Single handle POLAR EXIT 6/0630 (return spring + spindle) door thickness 45-60 mm	EH006		

WOODEN/METAL DOOR OUTSIDE HANDLES,
USED WITH EXIT PANIC BAR PB001

Product	Product number	Dimensional drawing	Surface finish Please check availability from Abloy's Architectural Hardware customer service
Single handle PRESTO 3-20/0321 EN 179	DH060		
Single handle INOXI 3-19/0321 EN 179	DH070		
Single handle INOXI 3-19k/0321 EN 179	DH073		
Single handle PARLAMENT 2/0321	DH002		
Single handle PARLAMENT 22/0321	DH022		
Single handle FORUM 4/0321	DH004		
Single handle POLAR 6/0321	DH006		
Single handle PRESTO 3-16/0321	DH050		

NARROW STILE DOOR OUTSIDE HANDLES,
USED WITH EXIT PANIC BAR PB001

Product	Product number	Dimensional drawing	Surface finish Please check availability from Abloy's Architectural Hardware customer service
Single handle PRESTO 3-20/0651 EN 179	DH060		
Single handle INOXI 3-19/0651 EN 179	DH070		
Single handle INOXI 3-19k/0651 EN 179	DH073		
Single handle PARLAMENT 2/0651	DH002		
Single handle PARLAMENT 22/0651	DH022		
Single handle FORUM 4/0651	DH004		
Single handle POLAR 6/0651	DH006		
Single handle PRESTO 3-16/0651	DH050		

PUSH PADS

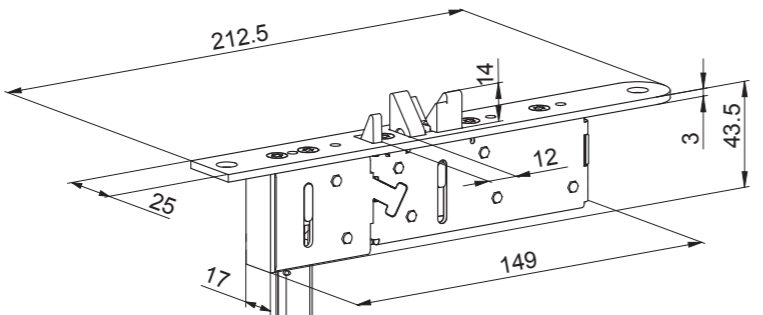
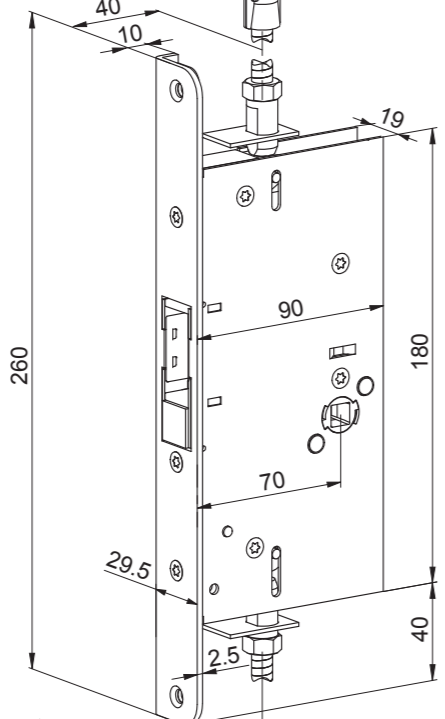
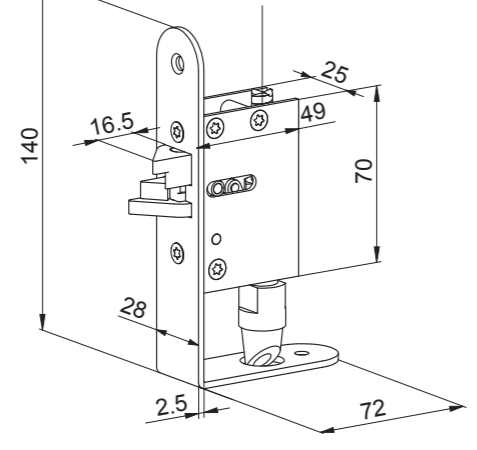
Product	Dimensional drawing
Cylinder-push pad CY077 and CY080	

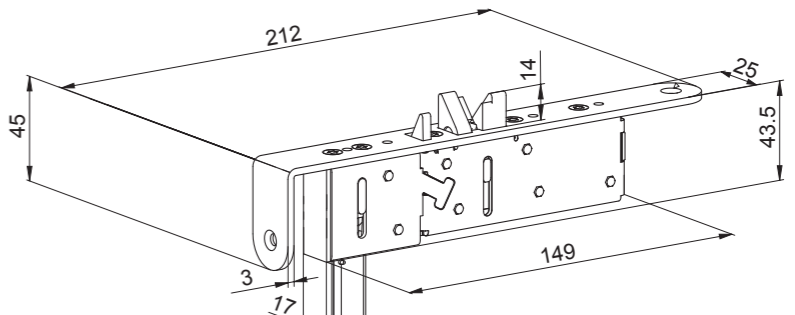
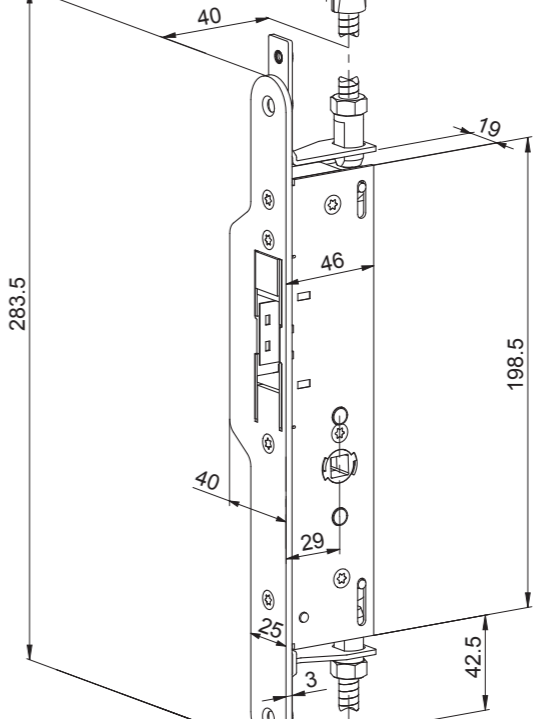
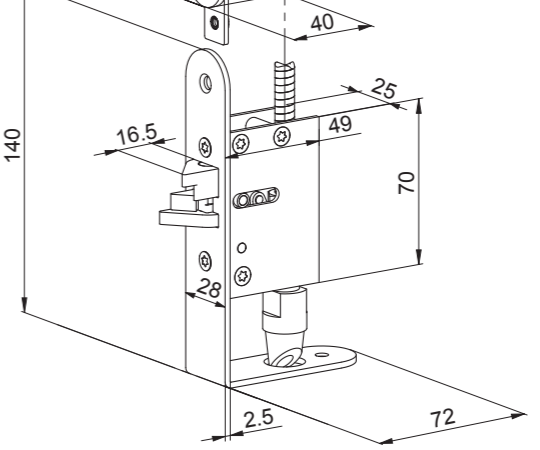
PANIC BAR AND SEAL

Product	Dimensional drawing
Panic bar PBE001, PBE002 PBE003	
Seal EH900 Note: Repla- cement seal EH901	

CYLINDERS

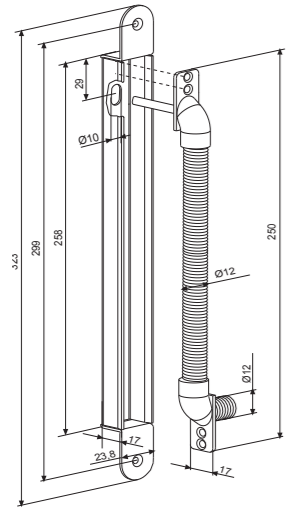
WOODEN/METAL DOOR	NARROW STILE DOOR
CY037 	CY063
CY002 	CY065
CY021 	CY064

Product	Dimensional Drawing
<p>Product codes for passive wooden/metal door</p>	
<p>TOP LOCK LE981 PE951</p>	
<p>CENTRE LOCK LE982 LE953</p>	
<p>BOTTOM LATCH LE980</p>	

Product	Dimensional Drawing
<p>Product codes for passive wooden/metal door</p>	
<p>TOP LOCK LE931 PE941</p>	
<p>CENTRE LOCK LE932 LE943</p>	
<p>BOTTOM LATCH LE930</p>	

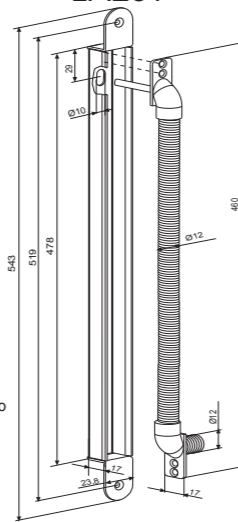
LEAD COVERS

EA280



Maximum opening angle 120°

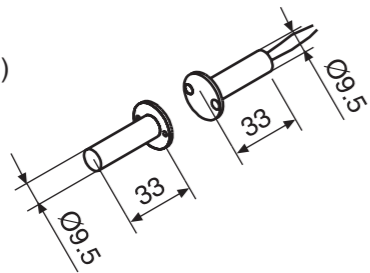
EA281



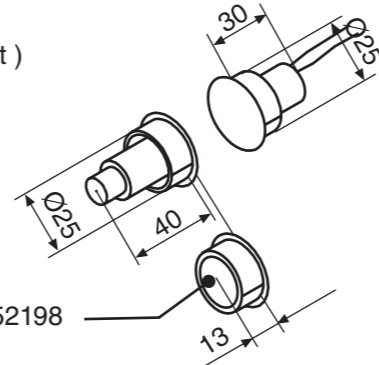
Maximum opening angle 180°.
Used always if the distance from the hinge pin to the door frame is more than 20 mm.

MAGNETIC CONTACTS

Wooden doors:
EA501 (closing contact)
EA503 (double change-over contact)



Steel doors:
EA502 (closing contact)
EA500 (double change-over contact)



Flat magnet 952198

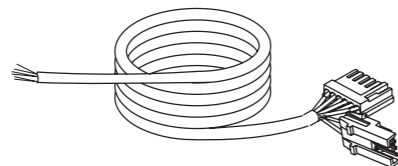
EXTENSION CABLES

ABLOY® extension cables guarantee lock durability up to 200,000 cycles. The cables have been tested for fire rated doors also.

- 18 x 0.14 mm²
- Operating temperature range: -20° C...+60° C

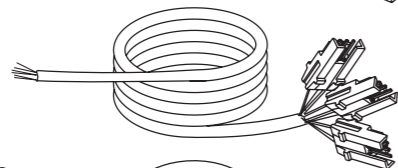
For locks EL480, EL580, EL581

- ABLOY® EA210 (6 m)
- ABLOY® EA220 (10 m)



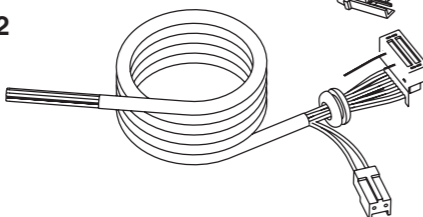
For locks EL402, EL502

- ABLOY® EA211 (6 m)
- ABLOY® EA221 (10 m)

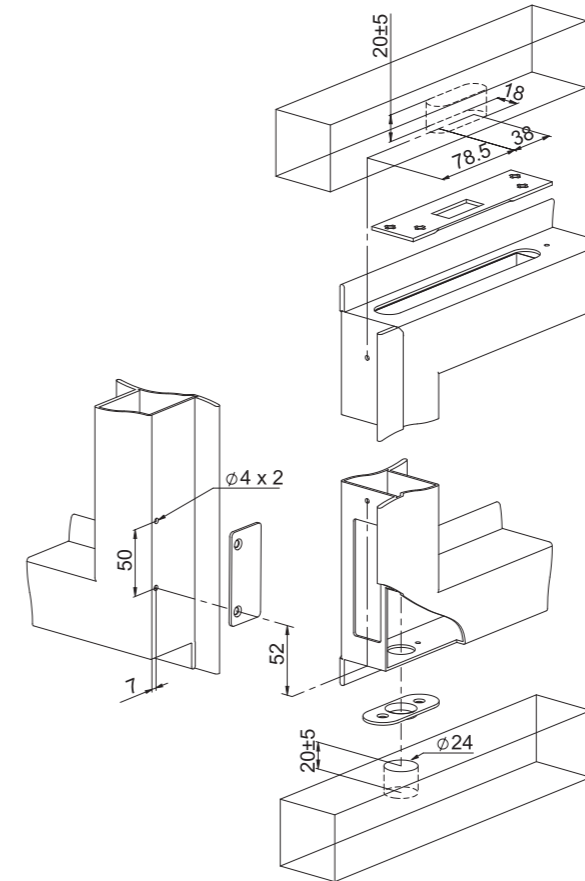


For locks EL490, EL593, PE590, PE592

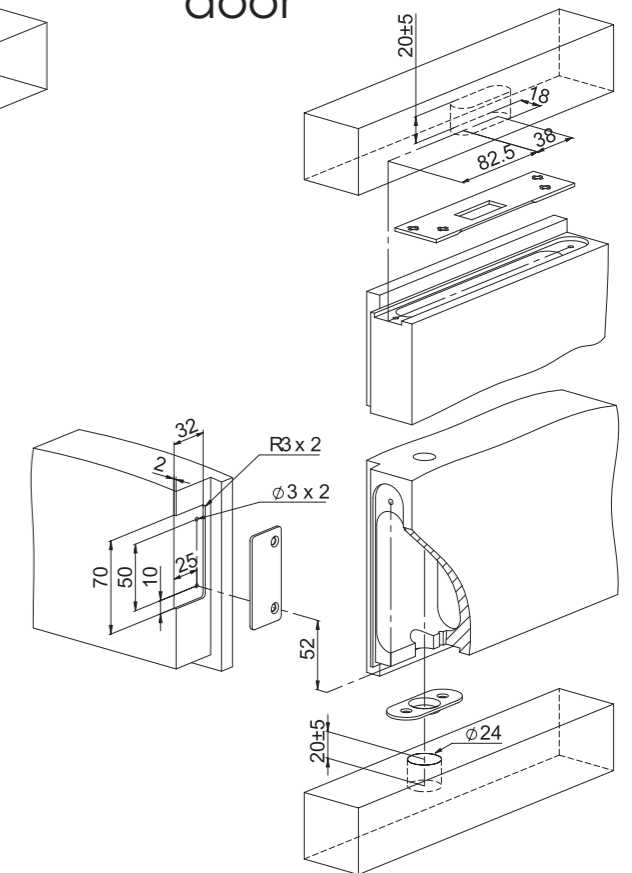
- ABLOY® EA217 (6 m)
- ABLOY® EA227 (10 m)
- ABLOY® EA228 (0.5 m)



Narrow stile door

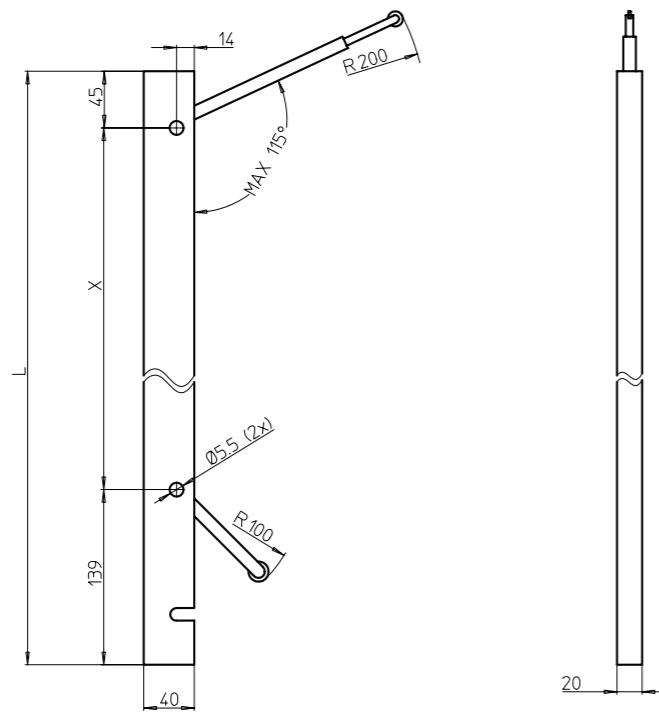


Wooden/metal door

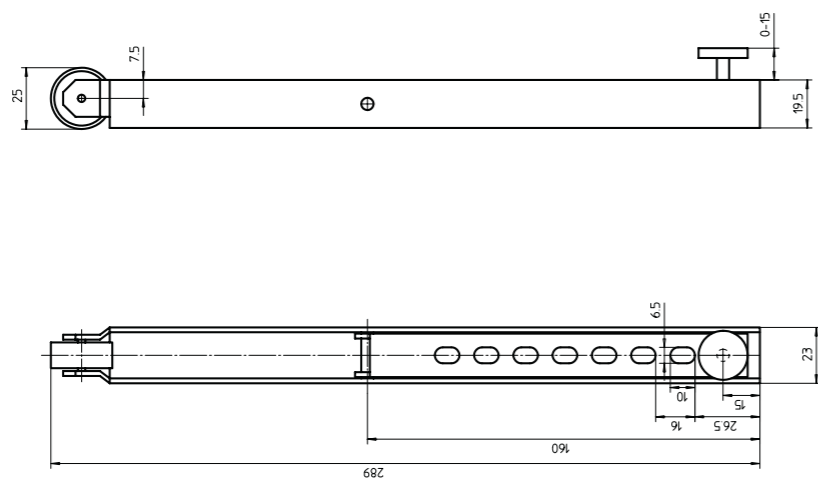


COORDINATOR
FD110/FD111

	Dimension L	Dimension X
FD110	650	466
FD111	1050	866



CARRY BAR
FD101



ABLOY® EXIT - PRODUCT TESTING,
INSTALLATION AND MAINTENANCE

ABLOY® EXIT products have been tested and approved according to the requirements of the EN 179 and EN 1125 standards by an accredited testing and certification body. Products have been tested and approved as complete units.

The installation instructions specify which products can be combined with each other. The installer is responsible for ensuring correct installation and flawless operation according to the manufacturer's instructions.

To ensure correct operation of the exit doors, Abloy recommends that **ABLOY® EXIT** products should be maintained and inspected for flawless operation every 3 months according to the manufacturer's instructions.

The property owner is responsible for maintenance and inspection of the operation. The person performing the work must be adequately qualified. Electromechanical lock cases must always be installed by an ABLOY-authorized locksmith.





For the **ABLOY® EXIT** products, the installation instructions are delivered with the packaging.

For maintenance and inspection instructions, please refer to **ABLOY® EXTRANET** and the Internet site www.abloy.com



ABLOY® EXIT -PRODUCTS SELECTION CHART

	LOCK CASE	PUSH BAR		PUSH PAD		HANDLE SET		SINGLE HANDLE		OUTSIDE DOOR HANDLE (0321/0651 klip)	OUTSIDE DOOR PULL	SEAL (emergency exit)	
		EN1125		EN179		WOODEN/METAL DOOR	WOODEN/METAL DOOR	WOODEN/METAL DOOR	NARROW STILE DOOR				
		WOODEN/METAL DOOR	NARROW STILE DOORS	WOODEN/METAL DOORS	NARROW STILE DOORS	WOODEN/METAL DOORS	NARROW STILE DOORS	WOODEN/METAL DOORS	NARROW STILE DOORS				
MECHANICAL LOCK CASES	WOODEN/METAL DOORS	LE180 and LE181											
		LE183 and LE184											
		LE185 and LE186											
	NARROW STILE DOORS	LE310											
		LE314											
		LE315											
	ELECTRIC LOCKS	WOODEN/METAL DOORS	EL502										
			EL581										
			EL580										
NARROW STILE DOORS		PE580											
		EL593											
		PE592											
WOODEN/METAL DOORS		PE590											
		EL402											
		EL480											
NARROW STILE DOORS	EL490												

-  = handle set
-  = inside panic bar and outside handle
-  = inside push pad or panic bar and outside door pull
-  = inside handle or handle-seal and outside door pull

Outside handles/door pulls from **ABLOY®** building hardware range



www.abloy.com

Abloy Oy
Wahlforsinkatu 20
P.O.Box 108
FI-80101 JOENSUU
FINLAND
Tel. +358 20 599 2501
Fax +358 20 599 2209



An ASSA ABLOY Group brand

Abloy Oy is one of the leading manufacturers of locks, locking systems and architectural hardware and the world's leading developer of products in the field of electromechanical locking technology.

ASSA ABLOY is the global leader in door opening solutions, dedicated to satisfying end-user needs for security, safety and convenience.

ASSA ABLOY