

**ABLOY EXIT – MECHANICAL LOCK CASES**  
*Technical descriptions*



---

## CONTENTS

ABLOY® LE180 .....	3
ABLOY® LE184 .....	4
ABLOY® LE185 .....	5
ABLOY® LE181 .....	6
ABLOY® LE183 .....	7
ABLOY® LE186 .....	8
ABLOY® LE310 .....	9
ABLOY® LE314 .....	10
ABLOY® LE315 .....	11
ABLOY® LE311 .....	12
ABLOY® LE313 .....	13
ABLOY® LE316 .....	14
<b>Mortises .....</b>	<b>15-16</b>
<b>Striker plates .....</b>	<b>17-18</b>

# ABLOY® LE180

Exit lock cases with automatic deadlocking latchbolt for wooden doors with one blade. The door is opened from outside with a lever handle. The lock case fulfils the requirements of the European standard for exit products SFS-EN179 and SFS-EN1125 and the requirements of the lock case standard SFS-EN12209. The lock is always opened from the inside by a lever handle, push pad or panic bar.

Deadlocking is controlled by a snib in the front plate. Using of the snib is normally blocked. The snib is released by turning the key.

Snib position:

UP = Deadlocking, latchbolt protrudes 17 mm

The lock can be opened from outside by key only and from inside by a lever handle, push pad or panic bar.

DOWN = Latchbolt protrudes 14 mm. The lock can be opened from outside by lever handle also.

LE180X is the microswitch version of the lock. The switch changes the status when latchbolt is protruded from 14 mm to 17 mm.

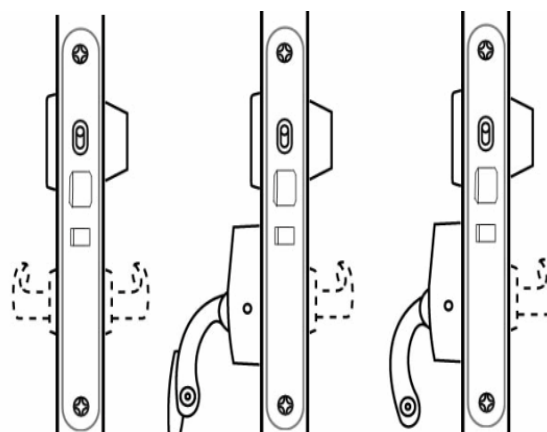
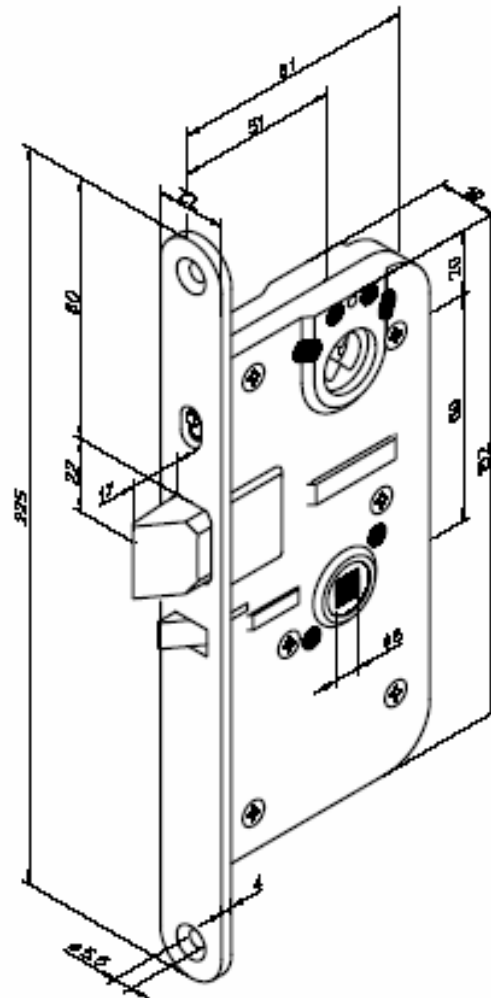
Following striker plates are recommended to be used with microswitch version: 4692, 4693.

Striker plate            LP711, LP714,  
LP721, LP731

Finish                    Fe/ZNCRLQ

Fire resistance        Yes

Mortise standard      Special mortise



---

# ABLOY® LE184

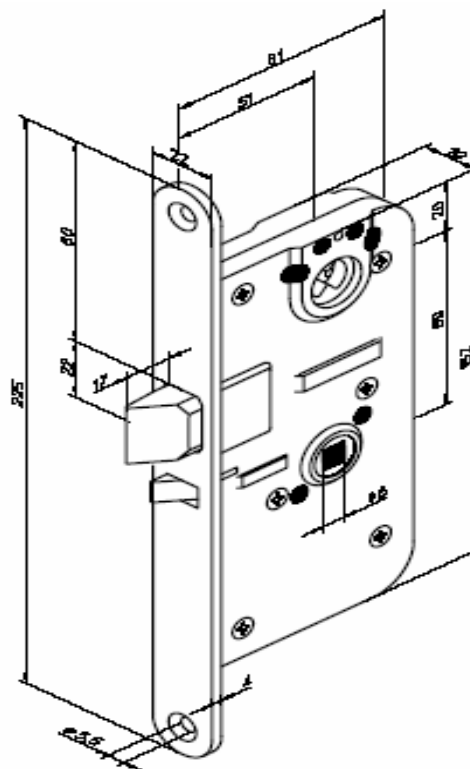
Exit lock case with automatic deadlocking latchbolt for wooden doors with one blade. The door is opened from outside with a door pull.

The lock case fulfils the requirements of the European standard for exit products SFS-EN179 and SFS-EN1125 and the requirements of the lock case standard SFS-EN12209. The lock is always opened from the inside by a lever handle, push pad or panic bar.

The lock is deadlocked always when the door is closed. Latchbolt protrudes 17 mm.

LE184X is the microswitch version of the lock. The switch changes the status when latchbolt is protruded from 14 mm to 17 mm.

Following striker plates are recommended to be used with microswitch version: 4692, 4693.

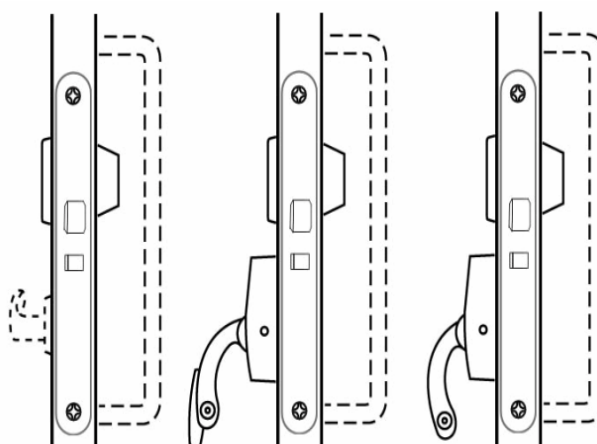


Striker plate            LP711, LP714,  
LP721, LP731

Finish                    Fe/ZNCRLQ

Fire resistance        Yes

Mortise standard      Special mortise



# ABLOY® LE185

Exit lock case with automatic deadlocking latchbolt for wooden doors with one blade. The door is opened from outside with a door pull.

The lock case fulfils the requirements of the European standard for exit products SFS-EN179 and SFS-EN1125 and the requirements of the lock case standard SFS-EN12209. The lock is always opened from the inside by a lever handle, push pad or panic bar.

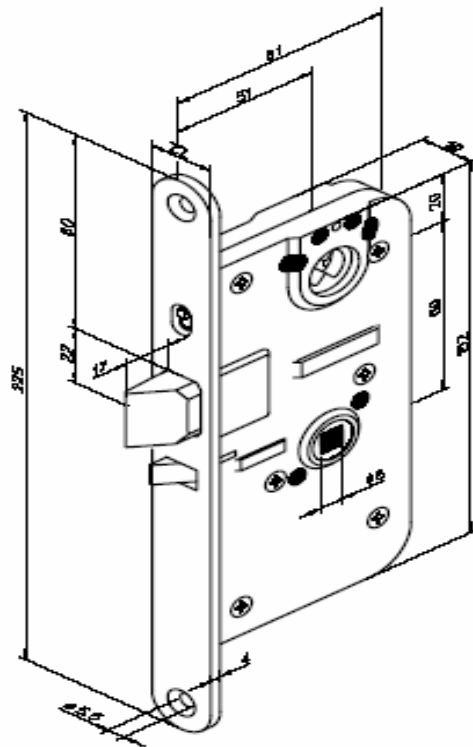
Deadlocking is controlled by a snib in the front plate. Using of the snib is normally blocked. The snib is released by turning the key.

Snib position:

UP = Deadlocking, latchbolt protrudes 17 mm

The lock can be opened from outside by key only and from inside by a lever handle, push pad or panic bar.

DOWN = Latchbolt is retained inside the lock case.



LE185X is the microswitch version of the lock. The switch changes the status when latchbolt is protruded from 14 mm to 17 mm.

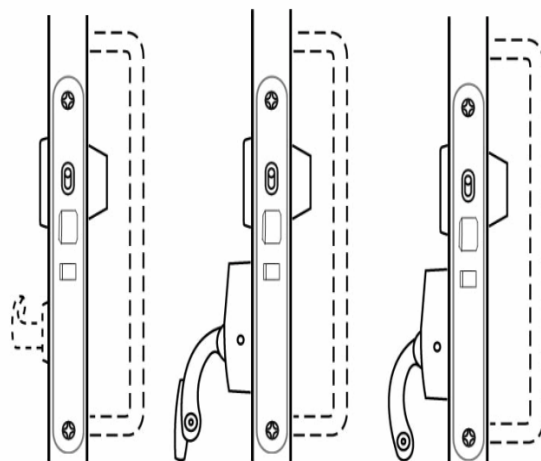
Following striker plates are recommended to be used with microswitch version: 4692, 4693.

Striker plate LP711, LP714, LP721, LP731

Finish Fe/ZNCRLQ

Fire resistance -

Mortise standard Special mortise



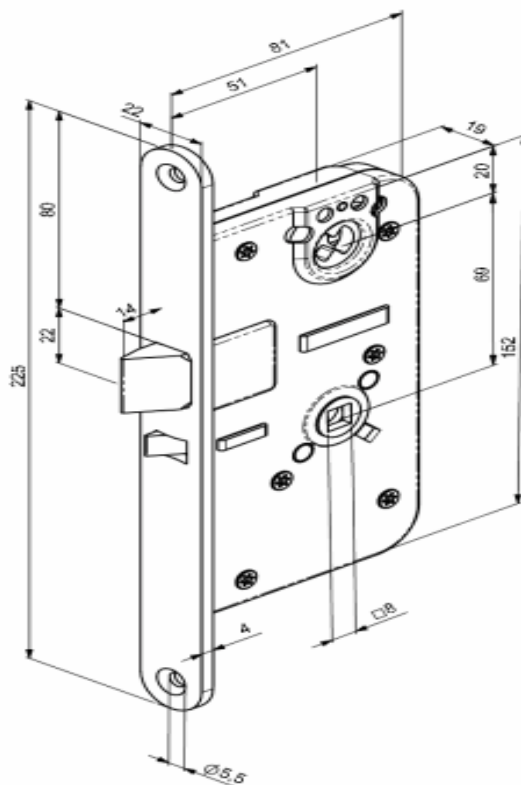


# ABLOY® LE183

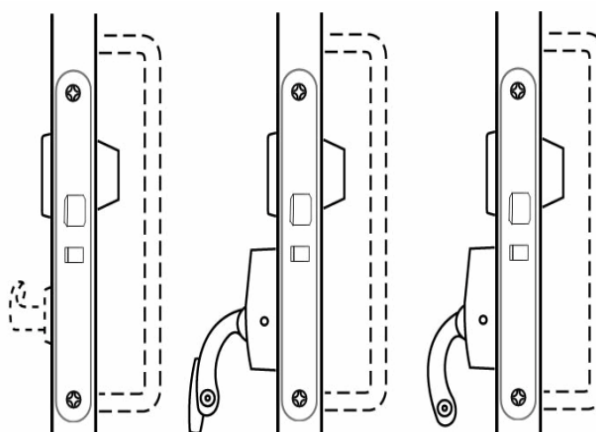
Exit lock case with automatic deadlocking latchbolt for the active side of wooden doors with two blades. The door is opened from outside with a door pull.

The lock case fulfils the requirements of the European standard for exit products SFS-EN179 and SFS-EN1125 and the requirements of the lock case standard SFS-EN12209. The lock is always opened from the inside by a lever handle, push pad or panic bar. The lock is deadlocked always when the door is closed. The latchbolt protrudes 14 mm.

LE183X is the microswitch version of the lock. The switch changes the status when latchbolt is deadlocked.



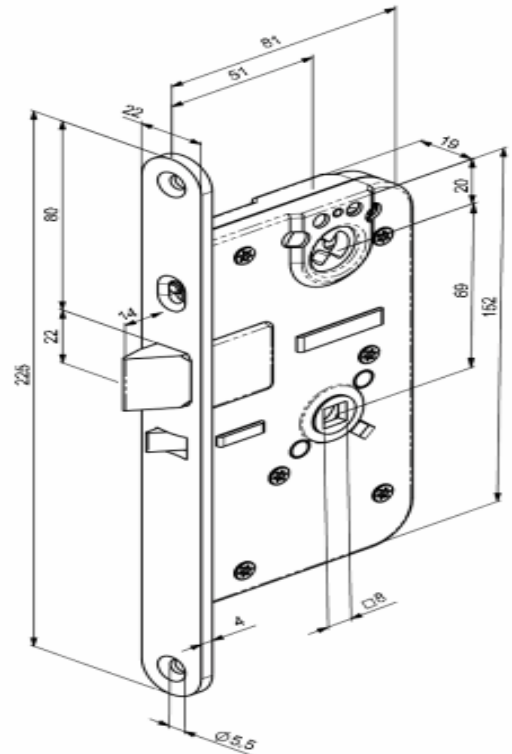
Passive lock case	PE911
Finish	Fe/ZNCRLQ
Fire resistance	Yes
Mortise standard	Special mortise



# ABLOY® LE186

Exit lock case with automatic deadlocking latchbolt for the active side of wooden doors with two blades. The door is opened from outside with a door pull.

The lock case fulfils the requirements of the European standard for exit products SFS-EN179 and SFS-EN1125 and the requirements of the lock case standard SFS-EN12209. The lock is always opened from the inside by a lever handle, push pad or panic bar. The latchbolt protrudes 14 mm.



Deadlocking is controlled by a snib in the front plate. Using of the snib is normally blocked. The snib is released by turning the key.

Snib position:

UP = Deadlocking

The lock can be opened from outside by key only and from inside by a lever handle, push pad or panic bar.

DOWN = Latchbolt is retained inside the lock case.

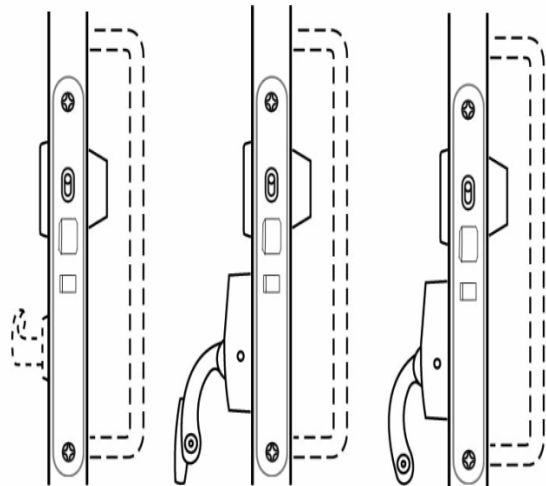
LE186X is the microswitch version of the lock. The switch changes the status when latchbolt is deadlocked.

Passive lock case PE911

Finish Fe/ZNCRLQ

Fire resistance -

Mortise standard Special mortise





# ABLOY® LE310

Exit lock case with automatic deadlocking latchbolt for profile doors with one blade. The door is opened from outside with a lever handle.

The lock case fulfils the requirements the European standard for exit product SFS-EN179 and SFS-EN1125 and the requirements of the lock case standard SFS-EN12209. The lock is always opened from the inside by a lever handle, push pad or panic bar. The latchbolt protrudes 14 mm.

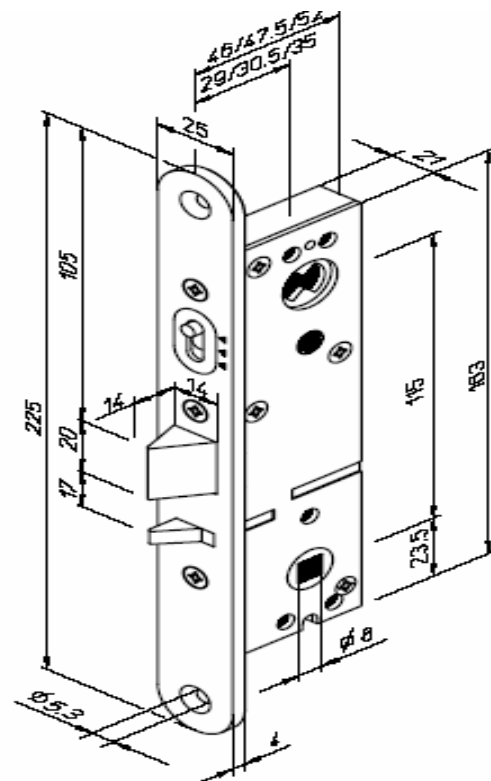
Deadlocking is controlled by a snib in the front plate. Using of the snib is normally blocked. The snib is released by turning the key.

Snib position:

UP = Deadlocked

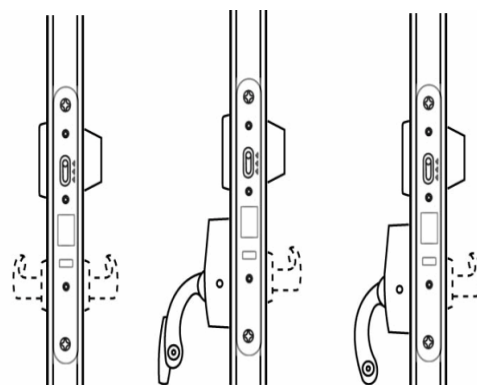
The lock can be opened from outside key only and from inside by a lever handle, push pad or panic bar.

DOWN = Day latching, the lock can be opened from outside by lever handle also.



LE310X is the microswitch version of the lock. The switch changes the status when latchbolt is deadlocked.

Striker plate	4613, 4614
Finish	Fe/ZNCRLQ
Fire resistance	Yes
Mortise standard door lock cases	Mortise for profile

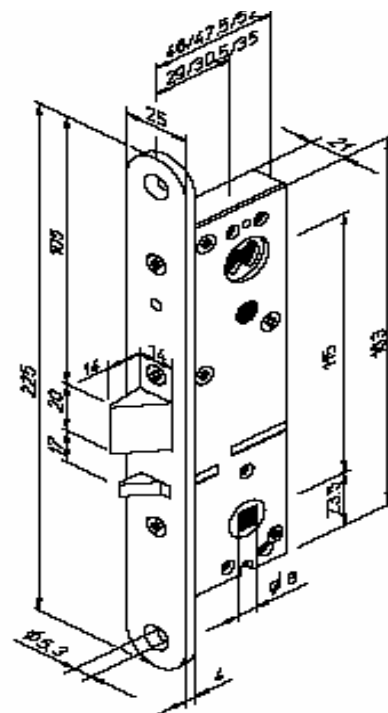


# ABLOY® LE314

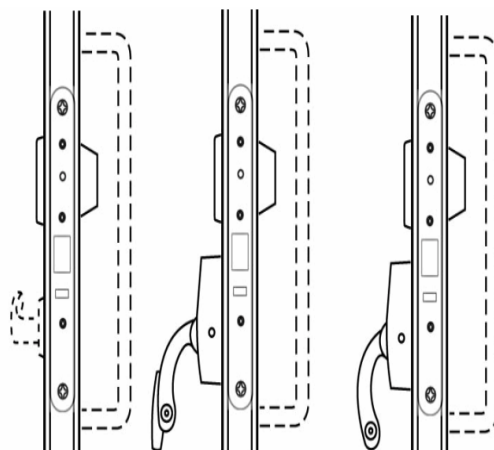
Exit lock case with automatic deadlocking latchbolt for profile doors with one blade. The door is opened from outside with a door pull.

The lock case fulfils the requirements of the European standard for exit products SFS-EN179 and SFS-EN1125 and the requirements of the lock case standard SFS-EN12209. The lock is always opened from the inside by a lever handle, push pad or panic bar. The lock is deadlocked always when the door is closed. The latchbolt protrudes 14 mm.

LE314X is the microswitch version of the lock. The switch changes the status when latchbolt is deadlocked.



Striker plate	4613, 4614
Finish	Fe/ZNCRLQ
Fire resistance	Yes
Mortise standard	Mortise for profile door lock cases



# ABLOY® LE315

Exit lock case with automatic deadlocking latchbolt for profile doors with one blade. The door is opened from outside with a door pull.

The lock case fulfils the requirements of the European standard for exit products SFS-EN179 and SFS-EN1125 and the requirements of the lock case standard SFS-EN12209. The lock is always opened from the inside by a lever handle, push pad or panic bar. The latchbolt protrudes 14 mm.

Deadlocking is controlled by a snib in the front plate. Using of the snib is normally blocked. The snib is released by turning the key.

Snib position:

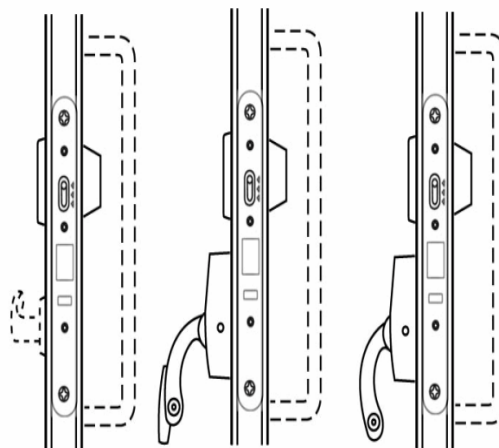
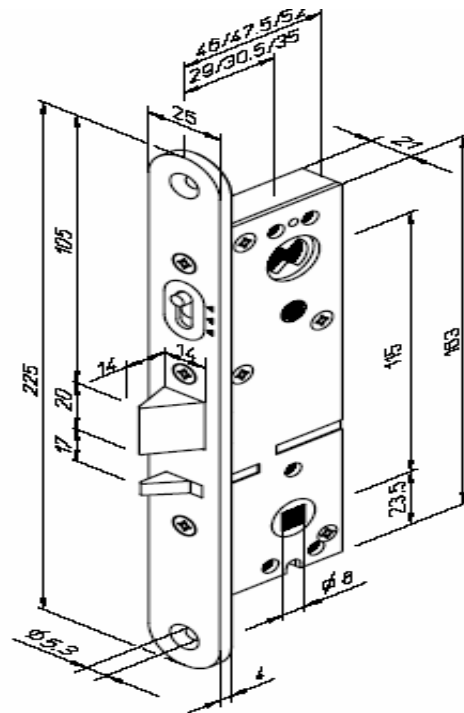
UP = Deadlocked

The lock can be opened from outside by key only and from inside by a lever handle, push pad or panic bar.

DOWN = Latchbolt is retained inside the lock case.

LE315X is the microswitch version of the lock. The switch changes the status when latchbolt is deadlocked.

Striker plate	4613, 4614
Finish	Fe/ZNCRLQ
Fire resistance	-
Mortise standard	Mortise for profile door lock cases



# ABLOY® LE311

Exit lock case with automatic deadlocking latchbolt for the active side of profile doors with two blades. The door is opened from outside with a lever handle.

The lock case fulfils the requirements of the European standard for exit products SFS-EN179 and SFS-EN1125 and the requirements of the lock case standard SFS-EN12209. The lock is always opened from the inside by a lever handle, push pad or panic bar. The latchbolt protrudes 14 mm.

Deadlocking is controlled by a snib in the front plate. Using of the snib is normally blocked. The snib is released by turning the key.

Snib position:

UP = Deadlocked

The lock can be opened from outside by key only and from inside by a lever handle, push pad or panic bar.

DOWN = Day latching, the lock can be opened from outside by lever handle also.

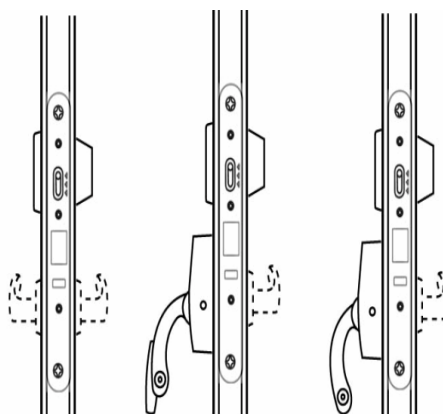
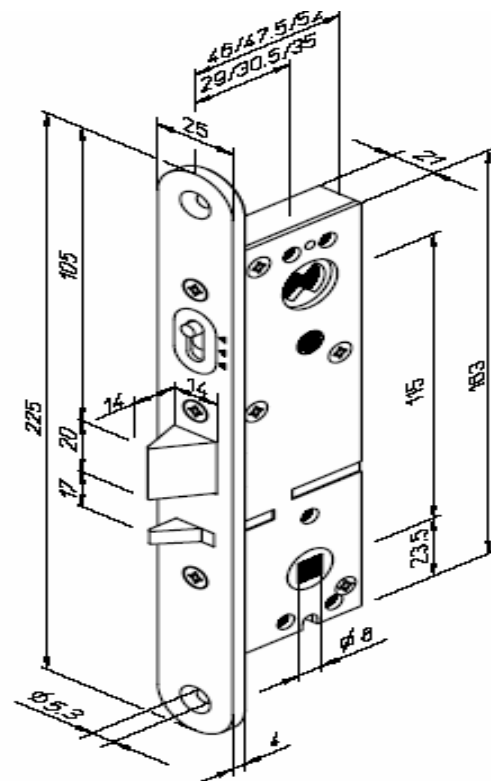
LE311X is the microswitch version of the lock. The switch changes the status when latchbolt is deadlocked.

Passive lock case PE901

Finish Fe/ZNCRLQ

Fire resistance Yes

Mortise standard Mortise for profile door lock cases

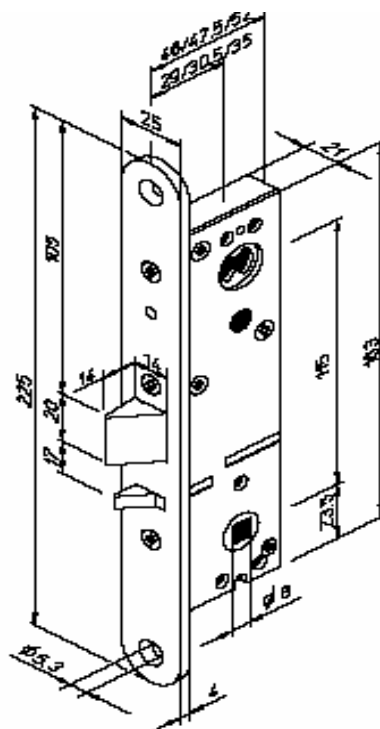


# ABLOY® LE313

Exit lock case with automatic deadlocking latchbolt for the active side of profile doors with two blades. The door is opened from outside with a door pull.

The lock case fulfils the requirements of the European standard for exit products SFS-EN179 and SFS-EN1125 and the requirements of the lock case standard SFS-EN12209. The lock is always opened from the inside by a lever handle, push pad or panic bar. The lock is always deadlocked when the door is closed. The latchbolt protrudes 14 mm.

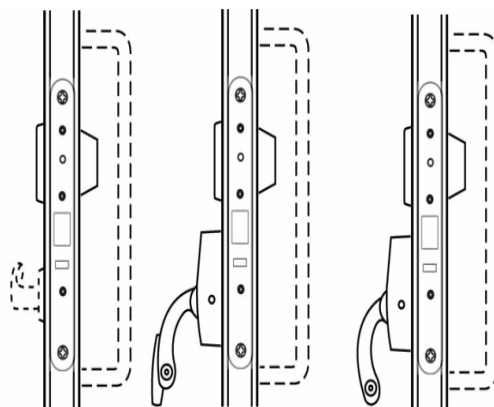
LE313X is the microswitch version of the lock. The switch changes the status when latchbolt is deadlocked.



Passive lock case PE901

Finish Fe/ZNCRLQ  
Fire resistance Yes

Mortise standard Mortise for  
profile door lock cases



# ABLOY® LE316

Exit lock case with automatic deadlocking latchbolt for the active side of profile doors with two blades. The door is opened from outside with a door pull.

The lock case fulfils the requirements of the European standard for exit products SFS-EN179 and SFS-EN1125 and the requirements of the lock case standard SFS-EN12209. The lock is always opened from the inside by a lever handle, push pad or panic bar. The latchbolt protrudes 14 mm.

Deadlocking is controlled by a snib in the front plate. Using of the snib is normally blocked. The snib is released by turning the key.

Snib position:

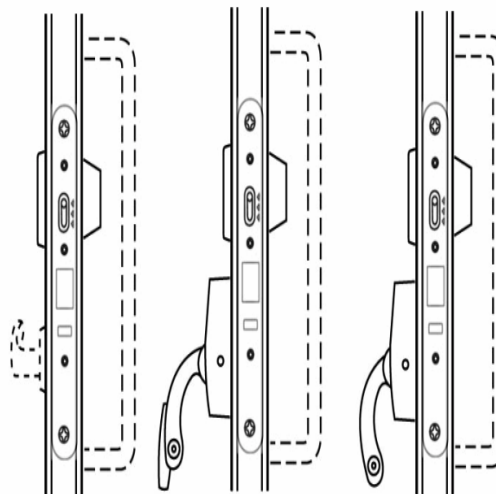
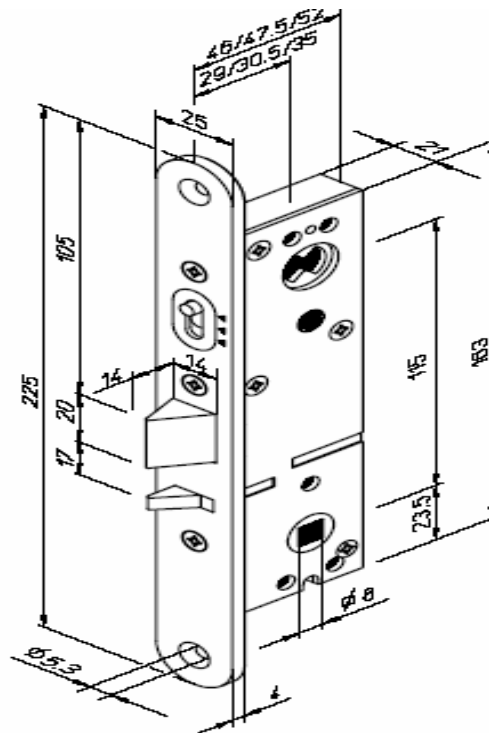
UP = Deadlocked

The lock can be opened from outside by key only and from inside by a lever handle, push pad or panic bar.

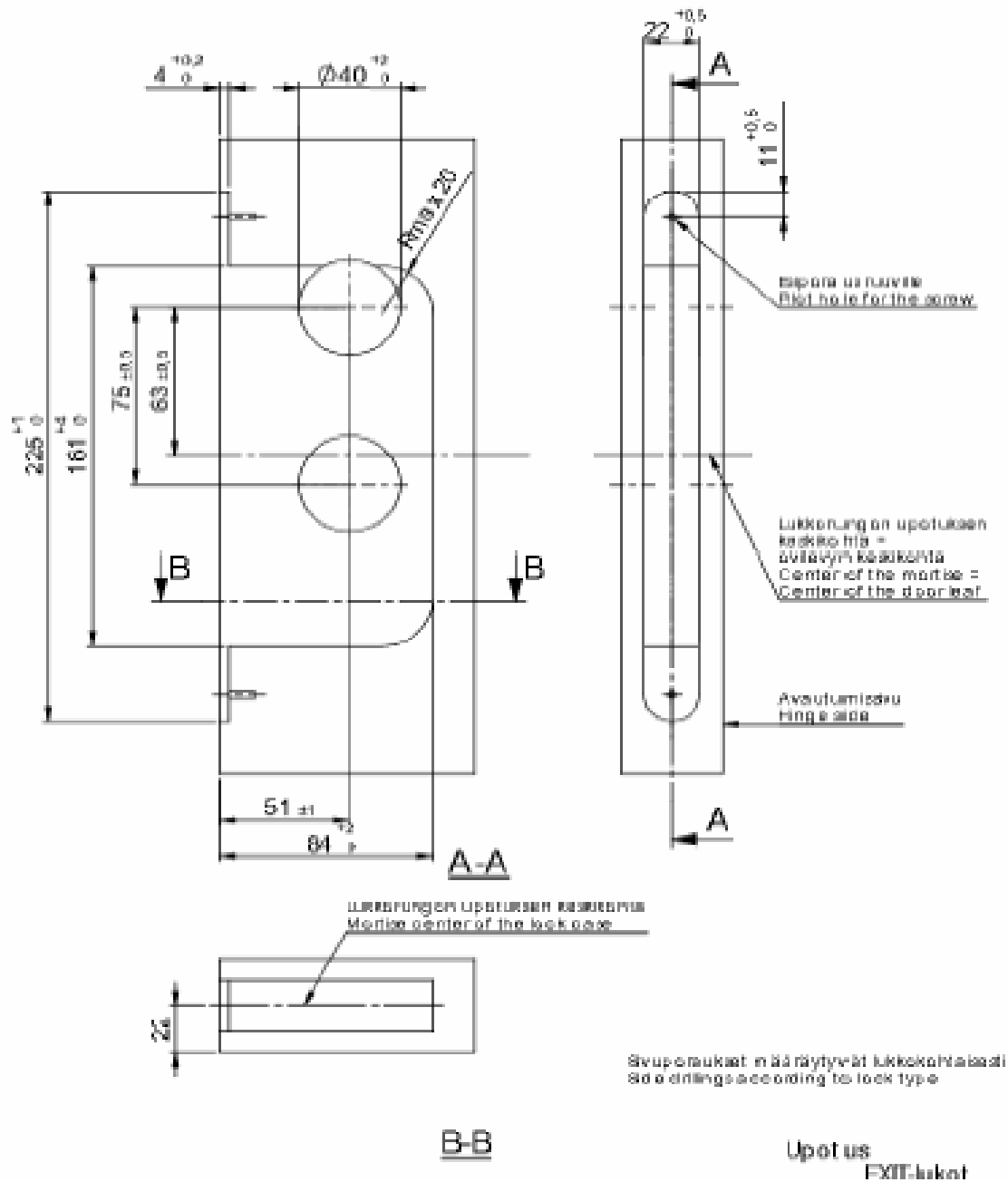
DOWN = Latchbolt is retained inside the lock case.

LE316X is the microswitch version of the lock. The switch changes the status when latchbolt is deadlocked.

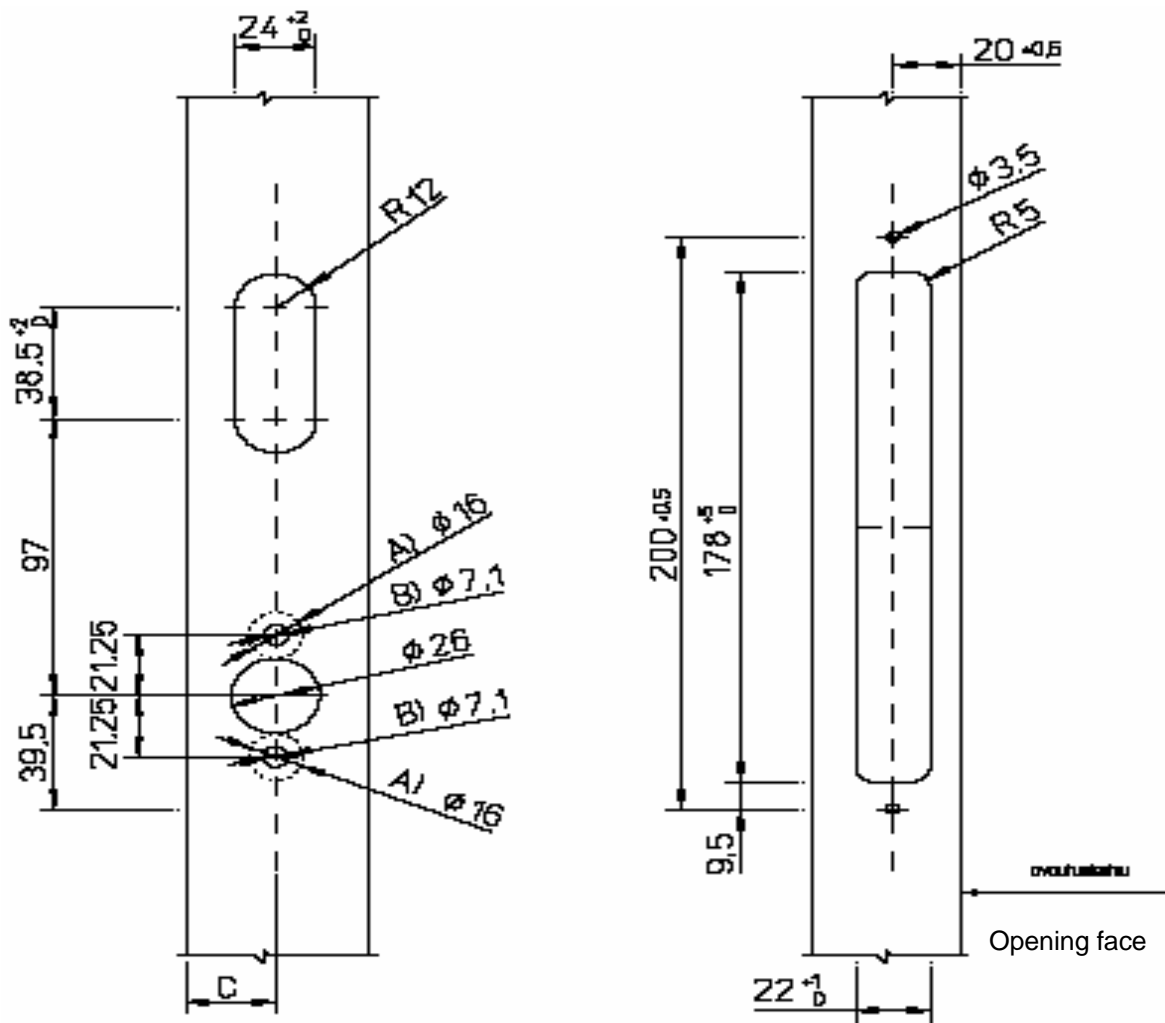
Passive lock case	PE901
Finish	Fe/ZNCRLQ
Fire resistance	-
Mortise standard	Mortise for profile door lock cases



# MORTISE PICTURES LE180, LE181, LE183, LE184, LE185, LE186



# MORTISE PICTURES LE310, LE311, LE313, LE314, LE315, LE316



A- ulkopuoli  
A= Outside

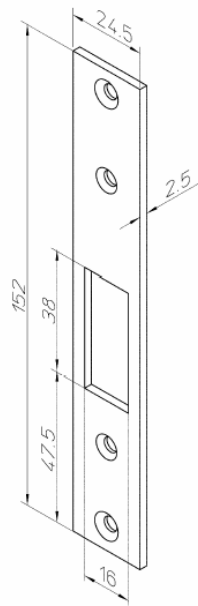
B- sispuoli  
B= Inside

- LC300.-1.-2.-3.-5.LE315.-0 /29      C=25
- LC300.-1.-2.-3.-5.LE315.-0 /30.5      C=26,5
- LC300.-1.-2.-3.-5.LE315.-0 /35      C=31

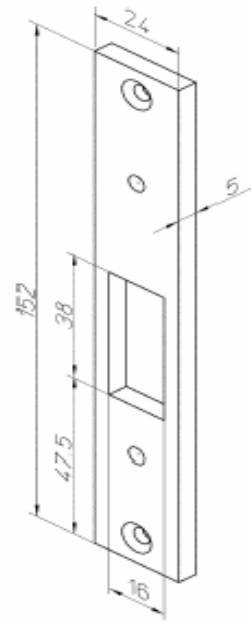


# STRIKER PLATES

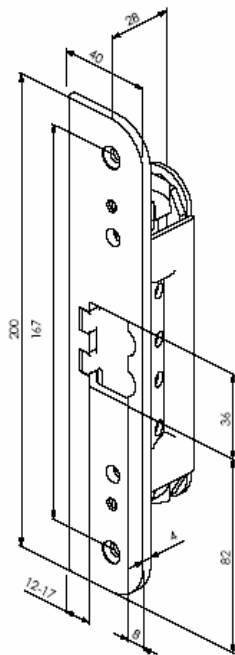
4613



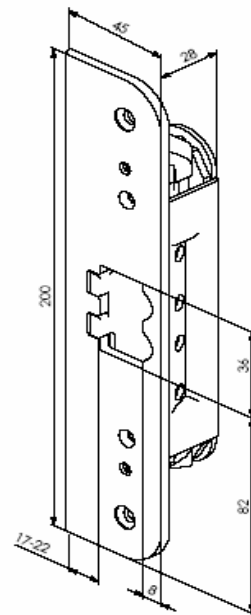
4614



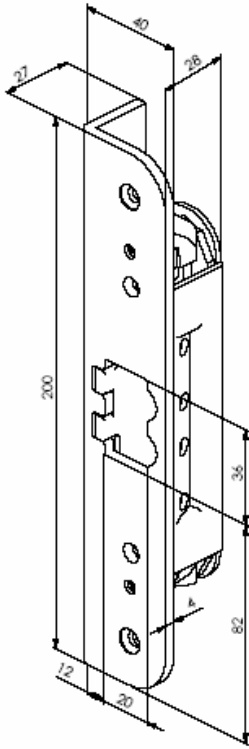
LP711



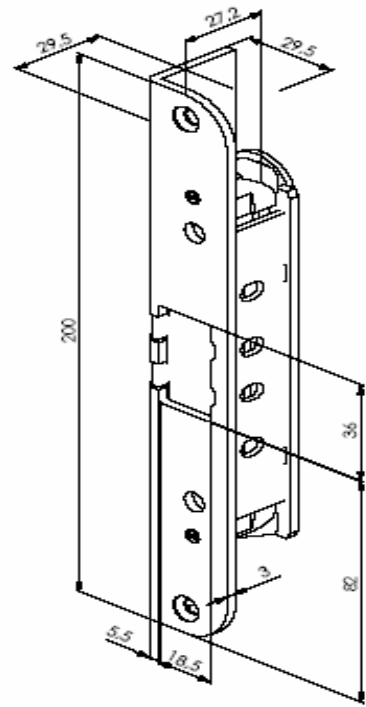
LP714



# STRIKER PLATES



LP721



LP731





[www.abloy.com](http://www.abloy.com)

Björkboda Lås Oy Ab  
25860 BJÖRKBODA, Finland  
Tel. + 358 20 599 4402  
+ 358 20 599 4436  
Fax + 358 20 599 4249  
+ 358 20 599 4117



An ASSA ABLOY Group brand

**ASSA ABLOY**

Abloy Oy is one of the leading manufacturers of locks, locking systems and architectural hardware and the world's leading developer of products in the field of electromechanical locking technology. ASSA ABLOY is the global leader in door opening solutions, dedicated to satisfying end-user needs for security, safety and convenience.