

Planet[®] *swiss*

The door sealing experts



Planet drop-down seals

 **SWISS MADE**

Planet HS-plus



55 dB

Planet US



8 mm

Planet KG-S narrow



Design


Driving rain 6A

Planet X3



Waterproof

Planet drop-down seals

 SWISS MADE



Matterhorn, Zermatt

Company Planet GDZ AG

1

Overview

2

Planet drop-down seals

3

Accessories

4

Technique

5

Advertising material

6

Planet GDZ AG



The two owners
René Gyger (left) and
Andreas Dintheer



Scan code with the application 'Unitag QR code scanner' (available on the App Store and Google play).

Journey through the company's history

For over **70 years** the Planet drop-down seals have been ensuring that sill-less doors are flush with the floor. The birthplace of our seals was in the carpenter's shop W. Jaggi und Söhne in Zurich. The first Planet drop-down seals for doors were custom built with care and precision and quickly evolved with practical experience.

This evolution resulted in the seals rapidly being adopted by ingenious carpenters, exploiting an unfulfilled need in the market. The production of Planet drop-down seals has finally been sourced out and sold in 1998.

The setting up of Planet GDZ AG in Tagelswangen, Zurich, came from a change in ownership in 1998 and today the innovative owners René Gyger and Andreas Dintheer continue the evolution of this successful business.

Our team is constantly developing new and innovative solutions for drop-down seals, which are **100% SWISS MADE**. Our vision is to continuously contribute towards sustainable construction. We strongly believe in our high quality products being made in Switzerland, from where we supply not only our home market, but also our customers worldwide.

Planet's company history



1945

The **carpenter's shop W. Jaggi and Söhne** in Zurich applies for the first patent for drop-down seals.

1967

Start of the **first professional production line** for Planet drop-down seals.

1972

The **production** of the Planet drop-down seals is sourced out from the carpenter's shop and managed as an **independent business**.



1974

The production operation is transferred from Zurich to **Kloten**.



1986

The new production building in **Nürens Dorf** is ready to move into.



1998

The company is sold to **Andreas Dintheer** and **René Gyger** and since then managed as **Planet GDZ AG**.

2007









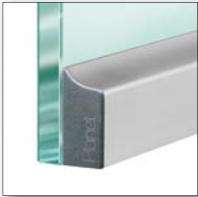



Inauguration of the office in **Moscow**.

2008

Start of activities in the new building, which is built to the standards of the Minergie Association, in **Tagelswangen**.



Innovations of Planet

	2016	World first, Planet X3: resistant to driving rain 6A , barrier-free with an authentic zero threshold – no drainage channel necessary!
	2016	Planet finger protection: Full range of roller blinds and cover profiles as well as numerous aids and practical technical innovations such as the clip system and suspension system.
	2015	Planet HS-plus: ≥ 55 dB Acoustic insulation for the highest standards!
	2014	Planet MinE-F/S and MinE-F/V for rebated doors of MINERGIE-buildings with ventilation systems, air equalization in trapped spaces, low-energy and passive houses.
	2014	Planet TW and Planet US are just 8 mm width – the world's narrowest seals!
	2010	Planet MinE for doors of MINERGIE buildings with aeration facilities, low energy and passive buildings.
	2006	Planet RH and RF for especially wavy and uneven floors , sealing up to 25 mm.
	2003	Planet MF, RO and PU for metal-, aluminum, PVC- and wooden doors , 20x20 mm and 16 mm seal lift height.
	2002	Planet KG for all-glass doors – flush surfaces.
	2002	Planet flush bolt with Planet HS profile 13 mm.
	2001	Planet rods / bars solution for lock manufacturer, e.g. WILKA, BKS, FUHR, MSL, BMH, Strenger, etc. Drilling 5x13 mm for flat driving bars in a Planet profile 20 mm and 13 mm.
	2000	Planet HS deeper embedded → Protected silicone lip. Door can be adapted on bottom without removal.

The approach to the Planet GDZ AG



Planet GDZ AG
Neustadtstrasse 2
8317 Tagelswangen
Switzerland



Scan code and you'll see
the directions straight
in Google Maps.

From Basle | Berne | Zurich

- Freeway A1 direction St. Gallen
- Exit Brüttisellen, turn to right into the Zürcherstrasse
- Drive straight on the Zürcherstrasse (approx. 3.5 km) until the beginning of Tagelswangen
- Turn to right into the Neustadtstrasse → you are directly in front of the company PLANET

From Winterthur | Schaffhausen | St. Gallen

- Freeway A1 direction St. Gallen
- Exit Effretikon, turn to right into the Rikonerstrasse
- Follow the Rikonerstrasse until the traffic lights
- Turn to right until the roundabout, drive straight on until the traffic lights
- Turn to left into the Zürcherstrasse and continue this road until the end of the village
- Turn left in the Neustadtstrasse → you are directly in front of the company PLANET

By public transport

- To Effretikon Railway Station by SBB trains 3, 7, 8 und 16
- From Effretikon by bus 650 towards 'Kemptthal, Bahnhof'
- Get off the bus at stop 'Tagelswangen, Dorf' → We are happy to pick you up at the stop

From Zurich Airport (Kloten)

- It takes you about 20 minutes with a car / taxi to reach the company PLANET

General Delivery Terms of Planet GDZ AG

Applicable Law and Venue	All our deliveries are made exclusively under Swiss law under exclusion of the UN treaty on international sales (11. April 1980). The courts at Planet GDZ AG domicile are exclusively competent to hear all disputes arising from or in connection with our deliveries.
Delivery Terms	Deliveries are made ex works (FCA Tagelswangen Incoterms 2010).
Limited Liability	Planet GDZ AG liability is as far as legally admissible limited to CHF 500,000 per delivery.
Retention of Title	Until fully satisfied Planet GDZ AG retains title according to the applicable legal provisions. The retention of title is to be formed under the applicable provisions to grant Planet GDZ AG the broadest possible protection.

We reserve our right for technical modifications at any time and without previous notice.

Planet drop-down seals

 SWISS MADE



Chapel Bridge, Lucerne

Planet selection table 13 | Planet profile types overview 14
Planet overview | Drop-down seals 18 | Planet overview | Accessories 28
Explanation of pictographs and symbols 34 | Quality label / Warranty 38

Overview

2

Planet drop-down seals

3

Accessories

4

Technique

5

Advertising material

6

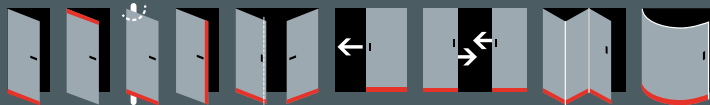
Planet – for all doors

Door material



Wood Metal PVC Glass

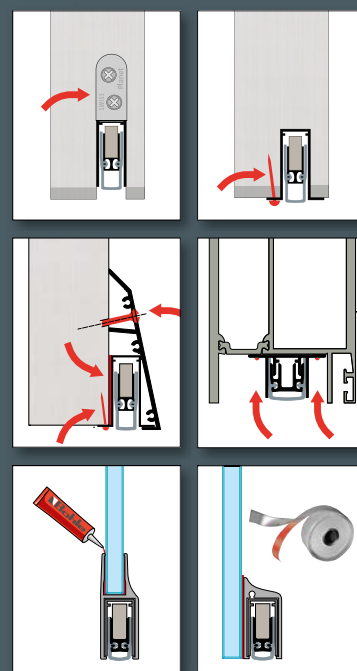
Door types



Single doors hinged, pivot doors Double doors hinged Sliding doors, double sliding doors Folding doors Circular doors



Fixing types



Floor surfaces



Objects

- Administration
- Industry
- Laboratory
- Hospital
- Hotel
- Home for senior citizens
- Home for disabled persons
- Kindergarten
- Low energy houses, passive buildings
- Renovation

Private Objects

- Multiple dwelling
- Single family house
- Low energy houses, passive buildings
- Renovation

Planet selection table

Planet type		Planet US	Planet TW	Planet HS / -plus	Planet RH	Planet FT / -plus	Planet RF	Planet KT	Planet SL	Planet MinE-F	Planet MinE	Planet X3	Planet MF / -plus	Planet RO / -plus	Planet RS	Planet PU	Planet KG	Planet ZA	Planet Socle	Planet BL	Planet GH	Planet Specials
Door material	Wood	●	●	●	●	●	●	●	●	●	●	●	●	●	●	●	●	●	●	●	●	●
	Metal	●	●	●	●	●	●	●	●	●	●	●	●	●	●	●	●	●	●	●	●	●
	PVC	●	●	●	●	●	●	●	●	●	●	●	●	●	●	●	●	●	●	●	●	●
	Glass																●					●
Door type	Single doors – hinged	●	●	●	●	●	●	●	●	●	●	●	●	●	●	●	●	●	●	●	●	●
	Double doors – hinged	●	●	●	●	●	●	●	●	●	●	●	●	●	●	●	●	●	●	●	●	●
	Pivot doors			●	●	●	●	●														●
	Sliding doors	●	●	●	●	●	●	●	●	●	●	●	●	●	●	●	●	●	●	●	●	●
	Folding doors	●	●	●	●	●	●	●	●	●	●	●	●	●	●	●	●	●	●	●	●	●
	Double action doors	●	●	●	●	●	●	●	●	●	●	●	●	●	●	●	●	●	●	●	●	●
	WC-doors, forced ventilation									●	●											●
	Comfort ventilation									●	●											●
	Airlock doors									●	●											●
	Circular doors					●	●										●				●	●
Functions	Soundproof dB	●	●	●	●	●	●	●	●	●	●	●	●	●	●	●	●	●	●	●	●	●
	Smokeproof RD	●	●	●	●	●	●	●	●	●	●	●	●	●	●	●	●	●	●	●	●	●
	Fire resistant FH	●	●	●	●	●	●	●	●	●	●	●	●	●	●	●	●	●	●	●	●	●
	Keeps out driving rain											●										
	Escape doors	●	●	●	●	●	●	●	●	●	●	●	●	●	●	●	●	●	●	●	●	●
	Lead-lined doors																			●	●	●
Double doors – hinged	Flush bolt for bottom + top			●	●	●	●	●	●	●	●	●	●	●	●	●	●	●	●	●	●	●
	Drill hole Ø8 mm			●	●	●	●	●	●	●	●	●	●	●	●	●	●	●	●	●	●	●
	Drill hole ∅5 x 13 mm			●	●	●	●	●	●	●	●	●	●	●	●	●	●	●	●	●	●	●
	Drill hole Ø10 mm												●	●	●	●	●	●	●	●	●	●
Lengths	from 220 mm			●	●	●	●	●	●	●	●	●	●	●	●	●	●	●	●	●	●	●
	from 335 mm	●	●							●	●										●	●
	from 400 mm																				●	●
	from 460 mm								●	●	●											●
	from 835 mm											●	●	●	●	●	●	●	●	●	●	●
	up to 1460 mm											●	●	●	●	●	●	●	●	●	●	●
	up to 2000 mm									●	●											●
up to 6000 mm	●	●	●	●	●	●	●	●	●	●	●	●	●	●	●	●	●	●	●	●	●	
Seal height	12 mm		●								●											●
	16 mm		●									●	●	●	●	●	●	●	●	●	●	●
	18 mm							●	●											●	●	●
	20 mm	●								●		●	●	●	●	●	●	●	●	●	●	●
	22 mm			●		●		●										●	●			●
	24 mm	●								●												●
	27 mm				●	●					●											●
	42 mm																				●	●
Fixing	Bottom fixed					●	●							●		●				●	●	●
	Side fixed	●	●	●	●			●	●	●	●	●	●	●	●	●	●	●	●	●	●	●
	Face fixed (Socle)					●	●												●	●	●	●
	Bottom fixed with adhesive																	●				●
	Face fixed with adhesive																	●				●
For particularly uneven floors (bevel lip)					●	●		●		●									●		●	●
	option bevel lip	●	●					●		●		●	●	●	●	●	●	●	●	●	●	●
Accessories	Floor strikes			●	●	●	●	●		●		●	●	●	●	●	●	●	●	●	●	●
	Threshold plate	●	●	●	●	●	●	●	●	●	●	●	●	●	●	●	●	●	●	●	●	●
	Floor separation threshold	●	●	●	●	●	●	●	●	●	●	●	●	●	●	●	●	●	●	●	●	●
	Planet accessories	●	●	●	●	●	●	●	●	●	●	●	●	●	●	●	●	●	●	●	●	●

● Best possible application ● possible application ● as an option with bevelled lip for particularly uneven floors

Planet profile types overview

8 mm x 20 / 30 mm

for wood, metal and PVC

Planet US
8 x 30 mm | ≤ 48 dB

20 mm

Planet US
8 x 30 mm | ≤ 48 dB

OPTION

24 mm

Planet TW
8 x 20 mm | ≤ 49 dB

12 mm

Planet TW
8 x 20 mm | ≤ 48 dB

OPTION

16 mm

13 mm x 30 / 25 mm

for wood, metal and PVC

Planet HS-plus
13 x 30 mm | $\leq \geq 55$ dB

NEW

22 mm

Planet FT-plus
13 x 30 mm | $\leq \geq 55$ dB

NEW

22 mm

Planet FT
13 x 30 mm | ≤ 48 dB

22 mm

Planet RF
13 x 30 mm | ≤ 44 dB

27 mm

Planet HS
13 x 30 mm | ≤ 48 dB

22 mm

Planet RH
13 x 30 mm | ≤ 44 dB

27 mm

Planet Socle FT
22 x 69 mm | ≤ 48 dB

22 mm

Planet Socle RF
22 x 69 mm | ≤ 44 dB

27 mm

Planet KT
13 x 25 mm | ≤ 48 dB

18 mm

Planet KT
13 x 25 mm | ≤ 44 dB

OPTION

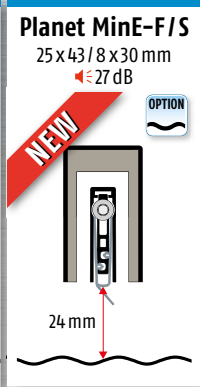
22 mm

Planet SL
21,8 x 30 mm | ≤ 44 dB

5-18 mm

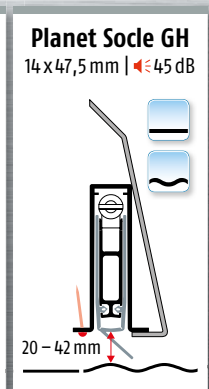
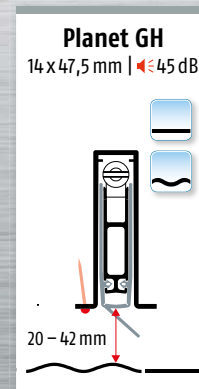
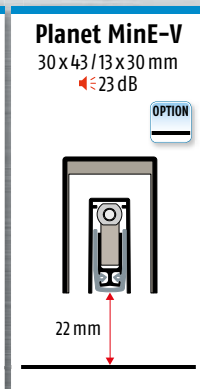
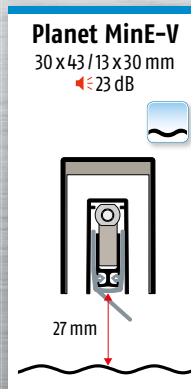
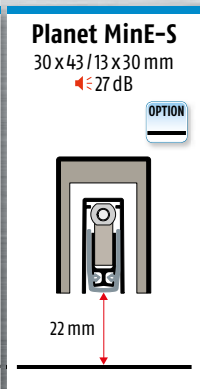
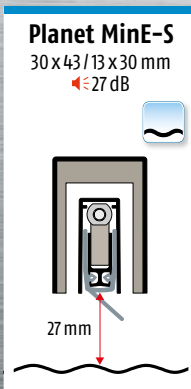
25 mm x 43 mm / 8 mm x 30 mm

for wood and metal



30 mm x 43 mm / 13 mm x 30 mm

for wood and metal



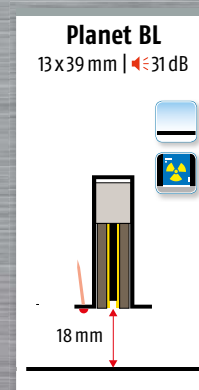
22 mm x 30 mm

for wood, metal and PVC



13 mm x 39 mm

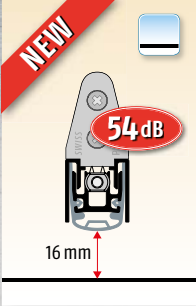
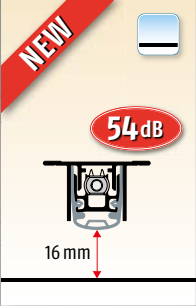
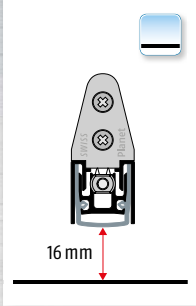
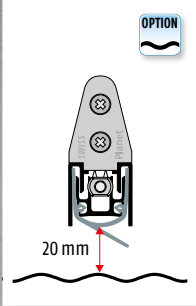
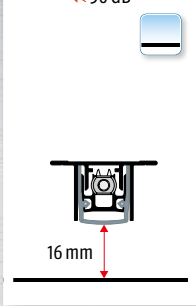
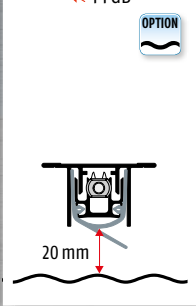
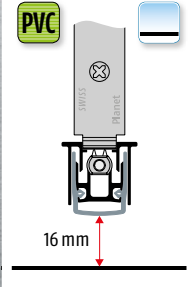
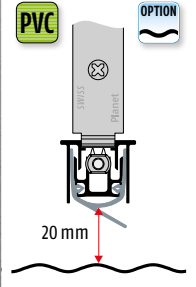
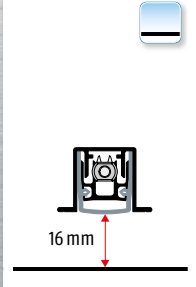
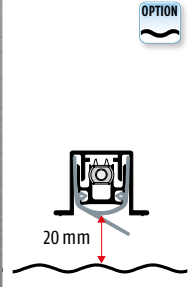
for wood and metal



Planet profile types overview (continuation)

20 mm x 20 mm

for wood, metal and PVC

<p>Planet MF-plus 19,8 x 20 mm ≤ 54 dB</p> <p>NEW</p>  <p>16 mm</p>	<p>Planet RO-plus 19,8/36 x 20 mm ≤ 54 dB</p> <p>NEW</p>  <p>16 mm</p>	<p>Planet MF 19,8 x 20 mm ≤ 50 dB</p>  <p>16 mm</p>	<p>Planet MF 19,8 x 20 mm ≤ 44 dB</p> <p>OPTION</p>  <p>20 mm</p>	<p>Planet RO 19,8/36 x 20 mm ≤ 50 dB</p>  <p>16 mm</p>	<p>Planet RO 19,8/36 x 20 mm ≤ 44 dB</p> <p>OPTION</p>  <p>20 mm</p>
<p>Planet RS PVC, 20,8/24 x 20 mm ≤ 50 dB</p> <p>PVC</p>  <p>16 mm</p>	<p>Planet RS PVC, 20,8/24 x 20 mm ≤ 44 dB</p> <p>PVC</p> <p>OPTION</p>  <p>20 mm</p>	<p>Planet PU 19,8 x 20 mm ≤ 50 dB</p>  <p>16 mm</p>	<p>Planet PU 19,8 x 20 mm ≤ 44 dB</p> <p>OPTION</p>  <p>20 mm</p>		

11,5 / 16,5 mm x 35 – 52 mm

for glass

<p>Planet KG-S narrow Glass, ≤ 48 dB</p> <p>NEW</p> <p>16 mm</p>	<p>Planet KG-S narrow Glass, ≤ 44 dB</p> <p>NEW</p> <p>20 mm</p> <p>OPTION</p>	<p>Planet KG-S Glass, ≤ 48 dB</p> <p>18 mm</p>	<p>Planet KG-S Glass, ≤ 44 dB</p> <p>22 mm</p> <p>OPTION</p>	<p>Planet KG-U Glass ≥ 12 mm, ≤ 48 dB</p> <p>18 mm</p>	<p>Planet KG-U Glass ≥ 12 mm, ≤ 44 dB</p> <p>22 mm</p> <p>OPTION</p>
<p>Planet KG-F8 narrow Glass 8 mm, ≤ 48 dB</p> <p>NEW</p> <p>16 mm</p>	<p>Planet KG-F8 narrow Glass 8 mm, ≤ 44 dB</p> <p>NEW</p> <p>20 mm</p> <p>OPTION</p>	<p>Planet KG-F10 F12 Glass 10 12 mm, ≤ 48 dB</p> <p>18 mm</p>	<p>Planet KG-F10 F12 Glass 10 12 mm, ≤ 44 dB</p> <p>22 mm</p> <p>OPTION</p>	<p>Planet KG-A8 A10 Glass 8 10 mm, ≤ 48 dB</p> <p>18 mm</p>	<p>Planet KG-A8 A10 Glass 8 10 mm, ≤ 44 dB</p> <p>22 mm</p> <p>OPTION</p>
<p>Planet KG-D8 D10 Glass 8 10 mm, ≤ 48 dB</p> <p>18 mm</p>	<p>Planet KG-D8 D10 Glass 8 10 mm, ≤ 44 dB</p> <p>22 mm</p> <p>OPTION</p>	<p>Planet KG-SL10 Glass 10 mm, ≤ 44 dB</p> <p>5-18 mm</p>	<p>Planet KG-MinE-S10 Glass 10 mm, ≤ 27 dB</p> <p>NEW</p> <p>27 mm</p>		

Planet overview | Drop-down seals

FUNCTIONS



8 mm x 20 / 30 mm

for wood, metal and PVC

<p>Planet US</p> <p>▣ 8,1x30,5-40 mm ◀≤48 dB</p> <p>20 mm</p>	<p>Door material</p>
	<p>Floor profile</p> <p>option</p>
	<p>Door types</p>
	<p>Special features</p> <ul style="list-style-type: none"> - Just 8 mm wide - To deeper groove

<p>Planet TW</p> <p>▣ 8,1x20,5 mm ◀≤49 dB</p> <p>12 mm</p>	<p>Door material</p>
	<p>Floor profile</p> <p>option</p>
	<p>Door types</p>
	<p>Special features</p> <ul style="list-style-type: none"> - Just 8 mm wide

▣ Groove size ◀ Sound absorption value (dB)

FUNCTIONS



13 mm x 30 mm

for wood, metal and PVC

Planet HS-plus
 ▣ 13,1x30,5-40 mm | ◀ ≤55 dB

22 mm

Door material

Floor profile

Door types

Special features
 - To deeper groove

NEW

Planet FT-plus
 ▣ 13,1x30,5 mm | ◀ ≤55 dB

22 mm

Door material

Floor profile

Door types

Special features
 - Execution with Planet Socle possible

NEW

Planet HS
 ▣ 13,1x30,5-40 mm | ◀ ≤48 dB

22 mm

Door material

Floor profile

Door types

Special features
 - To deeper groove

Planet RH
 ▣ 13,1x30,5-40 mm | ◀ ≤44 dB

27 mm

Door material

Floor profile

Door types

Special features
 - For uneven floors

Planet FT
 ▣ 13,1x30,5 mm | ◀ ≤48 dB

22 mm

Door material

Floor profile

Door types

Special features
 - Execution with Planet Socle possible

Planet RF
 ▣ 13,1x30,5 mm | ◀ ≤44 dB

27 mm

Door material

Floor profile

Door types

Special features
 - For uneven floors
 - Execution with Planet Socle

▣ Groove size ◀ Sound absorption value (dB)

Planet overview | Drop-down seals (continuation)

FUNCTIONS



13 mm x 30 / 25 mm

for wood, metal and PVC

<p>Planet KT</p> <p>▣ 13,1x25,5 mm ◀ ≤ 48 dB</p> <p>18 mm</p>	Door material	
	Floor profile	option
	Door types	
	Special features	- Lip protection

<p>Planet SL</p> <p>▣ 21,8x30,5-35 mm ◀ ≤ 44 dB</p> <p>5-18 mm</p>	Door material	
	Floor profile	
	Door types	
	Special features	- For sliding doors

▣ Groove size ◀ Sound absorption value (dB)

FUNCTIONS



25 mm x 43 mm / 8 mm x 30 mm

for wood and metal

Planet MinE-F/S
(For rebated doors / Soundproof)

8,1x30,5 / 25,1x43,5 mm | $\llcorner \leq 27$ dB

20 mm

NEW

Door material	
Floor profile	option
Door types	
Special features	- Closed Rooms - Air equalization

MINERGIE®
MEMBER

Planet MinE-F/V
(For rebated doors / Ventilation)

8,1x30,5 / 25,1x43,5 mm | $\llcorner \leq 23$ dB

20 mm

NEW

Door material	
Floor profile	option
Door types	
Special features	- Closed Rooms - Air equalization

MINERGIE®
MEMBER

30 mm x 43 mm / 13 mm x 30 mm

for wood and metal

Planet MinE-S (Soundproof)

13,1x30,5 / 30,1x43,5 mm | $\llcorner \leq 27$ dB

27 mm

Door material	
Floor profile	
Door types	
Special features	- Closed Rooms - Air equalization

MINERGIE®
MEMBER

Planet MinE-V (Ventilation)

13,1x30,5 / 30,1x43,5 mm | $\llcorner \leq 23$ dB

27 mm

Door material	
Floor profile	
Door types	
Special features	- Closed Rooms - Air equalization

MINERGIE®
MEMBER

Groove size Sound absorption value (dB)

Planet overview | Drop-down seals (continuation)

FUNCTIONS



22 mm x 30 mm

for wood, metal and PVC

Planet X3
■ 22,1x30,5-32 mm | ◀ ≤48 dB

5 - 12 mm

NEW

Door material

Floor profile

Door types

Special features

- Keeps out driving rain **6A**

■ Groove size ◀ Sound absorption value (dB)

FUNCTIONS



20 mm x 20 mm

for wood, metal and PVC

Planet MF-plus
 ▣ 19,8 x 20 mm | ◀ ≤ 54 dB

16 mm

NEW

Door material	
Floor profile	
Door types	
Special features	- Option: For uneven floors

Planet R0-plus
 ◀ ≤ 54 dB

16 mm

NEW

Door material	
Floor profile	
Door types	
Special features	- Option: For uneven floors

Planet MF
 ▣ 19,8 x 20 mm | ◀ ≤ 50 dB

16 mm

Door material	
Floor profile	option
Door types	
Special features	- Option: For uneven floors

Planet R0
 ◀ ≤ 50 dB

16 mm

Door material	
Floor profile	option
Door types	
Special features	- Option: For uneven floors

Planet RS
 ◀ ≤ 50 dB

PVC

16 mm

Door material	
Floor profile	option
Door types	
Special features	- Option: For uneven floors

Planet PU
 ▣ 19,8 x 20 mm | ◀ ≤ 50 dB

16 mm

Door material	
Floor profile	option
Door types	
Special features	- Option: For uneven floors

▣ Groove size ◀ Sound absorption value (dB)

Planet overview | Drop-down seals (continuation)

FUNCTIONS



15 mm x 30 mm

for wood, metal and PVC

<p>Planet ZA</p> <p>▣ 15,1x30,5-40 mm ≤48 dB</p> <p>22 mm</p>	<p>Door material</p>
	<p>Floor profile</p>
	<p>Door types</p>
	<p>Special features</p> <ul style="list-style-type: none"> - For drill hole Ø10 mm - For double doors – hinged - To deeper groove
	<p>NEW</p>

▣ Groove size ≤ Sound absorption value (dB)

FUNCTIONS



14 mm x 47,5 mm

for wood, metal and PVC

<p>Planet GH</p> <p>▣ 14,1x48 mm ≤45 dB</p> <p>20 – 42 mm</p>	<p>Door material</p>
	<p>Floor profile</p>
	<p>Door types</p>
	<p>Special features</p> <ul style="list-style-type: none"> - Seal height up to 42 mm

▣ Groove size ≤ Sound absorption value (dB)

<p>Planet Socle+ GH</p> <p>▣ ≤45 dB</p> <p>20 – 42 mm</p>	<p>Door material</p>
	<p>Floor profile</p>
	<p>Door types</p>
	<p>Special features</p> <ul style="list-style-type: none"> - Planet Socle for already existing doors

FUNCTIONS



13 mm x 30 mm

for wood, metal and PVC

Planet Socle+ FT
 ◀◀ 48 dB

22 mm

Door material	
Floor profile	
Door types	
Special features	- Planet Socle for already existing doors

Planet Socle+ RF
 ◀◀ 44 dB

25 mm

Door material	
Floor profile	
Door types	
Special features	- Planet Socle for already existing doors

▣ Groove size ◀◀ Sound absorption value (dB)

FUNCTIONS



13 mm x 39 mm

for wood and metal

Planet BL
 ▣ 13,1 x 40 mm | ◀◀ 31 dB

18 mm

Door material	
Floor profile	
Door types	
Special features	- Radiation protection - Lead lining 0,5 mm – 4 mm

▣ Groove size ◀◀ Sound absorption value (dB)

Planet overview | Drop-down seals (continuation)

FUNCTIONS



11,5 mm x 38 / 46 mm

for glass

Planet KG-S narrow

Glass, ≤ 48 dB

EV1
option:
STAINLESS* STEEL

Quick install

16 mm

Door material	
Floor profile	option
Door types	
Special features	- Face fixed with adhesive on glass door

Planet KG-F8 narrow

Glass 8 mm, ≤ 48 dB

EV1
option:
STAINLESS* STEEL

8 mm

16 mm

Door material	
Floor profile	option
Door types	
Special features	- Attached and pasted

▣ Groove size ⚡ Sound absorption value (dB)

*Option: Protection profile stainless steel satin anodised

FUNCTIONS



34 mm x 61 mm / 13 mm x 30 mm

for glass

Planet KG-MinE-S10

Glass 10 mm, ≤ 48 dB

Glass 10 mm

EV1
option:
STAINLESS* STEEL

27 mm

Door material	
Floor profile	
Door types	
Special features	- Attached and pasted

MINERGIE MEMBER

▣ Nutgröße ⚡ Schallschutz-Wert (Dezibel)

*Optional: Schutzprofil in Edelstahl matt eloxiert

FUNCTIONS



16,5 mm x 35 / 46 / 52 mm

for glass

Planet KG-S
Glass, ≤ 48 dB

EV1
option:
**STAINLESS*
STEEL**

18 mm

Door material	
Floor profile	option
Door types	
Special features	- Face fixed with adhesive on glass door

Planet KG-A8 | A10
Glass 8 | 10 mm, ≤ 48 dB

EV1
option:
**STAINLESS*
STEEL**

18 mm

Door material	
Floor profile	option
Door types	
Special features	- Attached and pasted

Planet KG-F10 | F12
Glass 10 | 12 mm, ≤ 48 dB

EV1
option:
**STAINLESS*
STEEL**

18 mm

Door material	
Floor profile	option
Door types	
Special features	- Attached and pasted

Planet KG-D8 | D10
Glass 8 | 10 mm, ≤ 48 dB

EV1
option:
**STAINLESS*
STEEL**

18 mm

Door material	
Floor profile	option
Door types	
Special features	- UV bonded from the bottom

Planet KG-U
Glass ≥ 12 mm, ≤ 48 dB

EV1
option:
**STAINLESS*
STEEL**

16 mm

Door material	
Floor profile	option
Door types	
Special features	- UV bonded from the bottom

Planet KG-SL10
Glass 10 mm, ≤ 44 dB

EV1
option:
**STAINLESS*
STEEL**

5 - 18 mm

Door material	
Floor profile	
Door types	
Special features	- Attached and pasted

Groove size

Sound absorption value (dB)

*Option: Protection profile stainless steel satin anodised

FUNCTIONS



Planet KR flush bolt

for wood, metal and PVC

Planet KR flush bolt	
	Door material
	Floor profile
	Door types
	Special features <ul style="list-style-type: none"> - For Planet-profiles 13 and 20 mm - For continuous Planet-seals

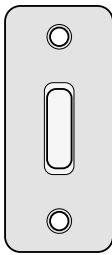





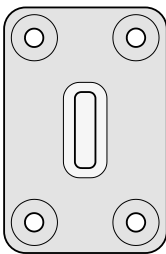


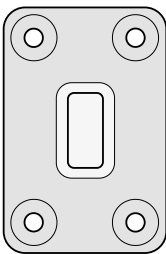


Driving bar rods flattened
 → see pages 145 – 155

FUNCTIONS



Planet BM floor recess plates

for wood, metal and PVC

<p>Planet BM $\varnothing 5 \times 13$ mm narrow for Planet KR flush bolt and driving bar rods $\varnothing 5 \times 13$ mm</p> 	<p>Door material </p> <p>Flush bolts $\varnothing 5 \times 13$ mm</p> <p>Door types </p> <p>Special features - especially narrow; width: 35 mm only</p>	<p>Planet BM $\varnothing 10$ mm narrow for driving bar rods $\varnothing 10$ mm</p> 	<p>Door material </p> <p>Driving bar rods $\varnothing 10$ mm</p> <p>Door types </p> <p>Special features - especially narrow; width: 35 mm only</p>
<p>Planet BM $\varnothing 5 \times 13$ mm for Planet KR flush bolt and driving bar rods $\varnothing 5 \times 13$ mm</p> 	<p>Door material </p> <p>Flush bolts $\varnothing 5 \times 13$ mm</p> <p>Door types </p> <p>Special features - Fixed with 4 screws</p>	<p>Planet BM $\varnothing 10$ mm for driving bar rods $\varnothing 10$ mm</p> 	<p>Door material </p> <p>Driving bar rods $\varnothing 10$ mm</p> <p>Door types </p> <p>Special features - Fixed with 4 screws</p>

FUNCTIONS



Planet BM-R floor recess plates

for wood, metal and PVC

Planet BM-R Ø15 mm
(25 / 40 mm)
for Planet KR flush bolt $\varnothing 5 \times 13$ mm
and driving bar rods $\varnothing 14$ mm

Door material

Flush bolts, driving bar rods
 $\varnothing 5 \times 13$ mm $\varnothing 14$ mm

Door types

Special features
- With dust protection cap

NEW

Planet BM-R Ø11 mm
(25 / 40 mm)
for driving bar rods $\varnothing 10$ mm

Door material

Driving bar rods
 $\varnothing 10$ mm

Door types

Special features
- With dust protection cap

NEW

Planet BM-R Ø9 mm
(25 / 40 mm)
for driving bar rods $\varnothing 8$ mm

Door material

Driving bar rods
 $\varnothing 8$ mm

Door types

Special features
- With dust protection cap

NEW

FUNCTIONS



Planet drill hole

for wood, metal, PVC and glass

Planet drill hole
 $\varnothing 5 \times 13$ mm
 for profiles 13 / 20 mm

Door material

Flush bolts
 $\varnothing 5 \times 13$ mm

Door types

Special features
 - Fits to Planet KR flush bolt or driving bar rods.

Planet drill hole
 $\varnothing 10$ mm
 for profiles 15 / 20 mm

Door material

Driving bar rods
 $\varnothing 10$ mm

Door types

Special features
 - Fits to driving bar rods $\varnothing 10$ mm

Planet drill hole
 $\varnothing 8$ mm
 for profiles 13 mm

Door material

Driving bar rods
 $\varnothing 8$ mm

Door types

Special features
 - Fits to Planet KR flush bolt or driving bar rods.

NEW


FUNCTIONS





Planet F and Planet BT


for wood, metal, PVC and glass


**Planet F
Threshold plate**
35 x 6,5 mm




Door material



Floor profile



Door types



Special features
- Protection against impact noise 


**Planet F
Threshold plate**
50 x 6,5 mm



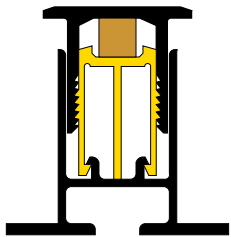
Door material



Floor profile



Door types



Special features
- Protection against impact noise 


**Planet BT
Floor separation threshold**
40 x 60 mm
Ground separation from ≤ 30 dB



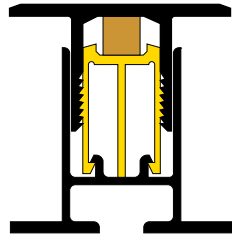
Door material



Floor profile



Door types



Special features
- Protection against impact noise 


**Planet BT
Floor separation threshold**
60 x 60 mm
Ground separation from ≤ 30 dB



Door material


Floor profile


Door types


Special features
- Protection against impact noise 

$\leftarrow \leq$ Sound absorption value (dB)




Planet drop-down seals

 SWISS MADE



The Rhine Falls, Neuhausen

Explanation of pictographs and symbols

Safety features		Soundproof dB; suitable for sound absorption doors, test report available
		Smokeproof RD; suitable for smoke-shielding doors, test report available
		Fire resistant FH; suitable for fire-retardant and smoke-shielding doors, test report available
		Driving rain; for entrance doors and balcony doors, test report available (6A , ift certified)
Convenience functions		Light protection
		Saving energy
		Dust protection
		Temperature / climate, separates different rooms
		Stops draughts
		Stops rainwater
		Stops unpleasant smells
		Protection against pests
		Protection against impact noise
Suitable for disabled access		Emergency exit DIN EN 179 and DIN EN 1125
		Following regulations for handicapped people, barrier free

Special functions



Radiation protection



Anti-bacterial

Minergie special functions



Swiss energy standard for low energy and passive buildings for aeration facilities / comfort aeration with air passage and sound absorption. Planet is a member of the Minergie Association.



Air circulation / air equalization



Closed rooms with Ventilation systems / passive building / low energy houses

Floor profiles


















Drop-down seals for even and crooked floors (Round lip)



Drop-down seals for especially uneven floors (Bevel lip)

Explanation of pictographs and symbols (continuation)

Door material		Wooden doors
		Metal doors
		PVC doors
		Glass doors
Door types		Single doors, hinged – assembly at the bottom
		Single doors, hinged – assembly at the top
		Single doors, hinged – assembly lateral / vertical
		Double doors, hinged
		Pivot-door
		Sliding doors
		Double sliding doors
		Folding doors
		Circular doors
New construction / Renovation		new doors
		already existing doors

Information about the door



flush doors



rebated doors



double-rebated doors

Fixing types of the Planet drop-down seals



bottom



laterally



attached



pasted



UV bonded



pasted laterally

More symbols



Lengths in stock / seal width



Shorting dimension



Gap between door and floor (lift height)

Accessories



KR flush bolt



Floor Recess Plate












Floor separation threshold



Threshold plate

Quality label / Warranty

Quality label		The ift Rosenheim, 'Institut für Fenstertechnik' e.V., DE-83026 Rosenheim, Germany, is our partner for sound absorption tests.
		Fire- and smoke-protection approvals by the 'Allgemeine Bauaufsichtliche Prüfzeugnis ABP', nr. 12 000 036.20. The total of our drop-down seals with this icons are included in it.
		The MPA NRW, Materialprüfungsamt Nordrhein-Westfalen, DE-44287 Dortmund, Germany, is our partner for RD+FH.
		Fire protection approval by UL 10C for USA and Canada.
		Fire protection approval by British Standard 476: Part 22.
		ISO 9001: Company certified according to ISO 9001, to ensure that customers get consistent, good quality products and services.
		ISO 14001: Company certified according to ISO 14001, to set out the criteria for an environmental management system.
Warranty		7 years warranty (for Planet Drop-down seals)
Test cycles		Over 4,2 million movements

Planet drop-down seals

 SWISS MADE



Morcote, Ticino

Planet drop-down seals

 SWISS MADE



Grossmünster, Zurich

Planet drop-down seals

3

Accessories

4

Technique

5

Advertising material

6

Planet^{swiss}® news

Planet US: only 8 mm – fits for all doors!
Examples of application:



For especially
narrow doors

For rebated doors
with **little space**

Inactive leaf seal
next to flush bolt
(without drill hole!)

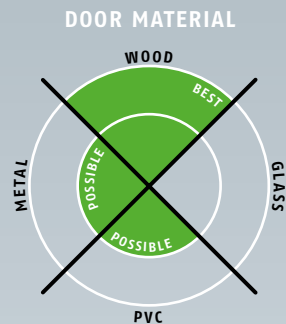
Double rebated
door seals (thermal/
acoustic break)

Planet drop-down seals
→ **8 mm** profiles

3

Planet **US** 44-45
Planet **TW** 46-47

Planet US → 8 x 30 mm | ↓ 20 mm | ≤ 48 dB



Main features

- Especially for **narrow** doors
- Seal height up to **↓ 20 mm**
- Acoustic insulation up to **≤ 48 dB** in case of an optimal sealing
- Protected silicone lips since deeper embedded
- Door can be adapted on bottom without removal
- Unilateral and soundless release, silent seal
- Due to parallel drop-down no trailing on the floor
- Automatic compensation at inclined floors
- For single and Double leaf doors (seal next to flush bolt / driving bar rod)
- High-grade silicone lip, simple lift height adjustment
- Can be shortened up to the next shorter length on stock
- No extra need to cut off silicone at both ends
- 7 years warranty



Versions

- Planet US → RD ≤ 48 dB, smoke-shielding
- Planet US → FH+RD ≤ 48 dB, fire-retardant + smoke-shielding
- Planet US → Sliding door+RD ≤ 48 dB, sliding doors + smoke-shielding
- Special versions on request

Door types with Planet US

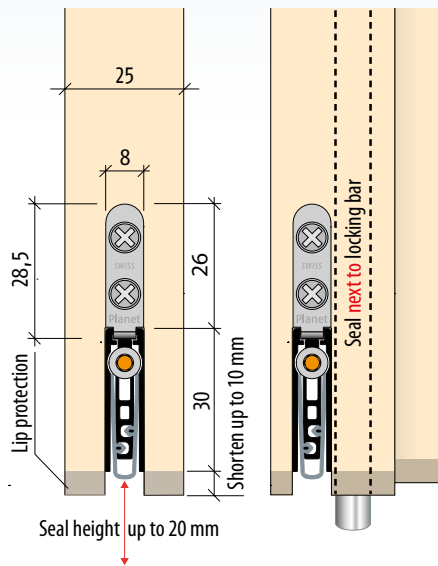


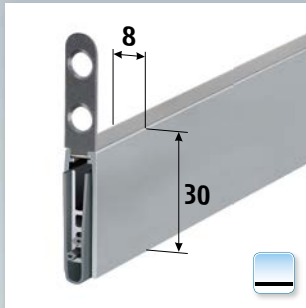
More functions



Technical specifications

Profile material	Aluminum, → 8 x 30 mm
Groove size	width 8,1 mm with depth 30,5 up to 40 mm
Seal profile	high-grade silicone or high-grade self-extinguishing silicone
Seal height	up to ↓ 20 mm
Sound absorption value	up to ≤ 48 dB at 7 mm space to the floor
Lift height adjustment	on the release knob with an Allen key 3 mm
Lengths in stock	460, 585, 710, 835, 960, 1085, 1210, 1335, 1460, 1585 mm
Special lengths	on request up to 6000 mm for wing- and sliding doors
Release	unilaterally on hinge side
Can be shortened	up to the maximum of 125 mm
Fastening	on the side with stainless steel angle brackets and screws
Frame protector plate	Stainless, hammer fixed, 20 x 20 mm
Test approvals	on request





Profile Planet US with fastening brackets for wood



Planet US with fastening brackets for wood, release side



Option: Planet US with fastening brackets for wood, bevel lip



Planet assembly set TW/US for wooden doors (standard)



Option: profile Planet US with fastening brackets for metal



Option: Planet US with fastening brackets for metal, release side



Option: Planet US with fastening brackets for metal, bevel lip for uneven floors



Option: Planet assembly set TW/US for metal doors

Order specifications

Planet US → RD ≤ 48 dB incl. Planet assembly set TW/US	Prod. code 23xxx*
Planet US → FH+RD ≤ 48 dB incl. Planet assembly set TW/US	Prod. code 24xxx*
Planet US → Sliding door (option)	Prod. code 900908

* xxx = refer to price list for profile length

Accessories | Options

Planet assembly set TW/US for wood , incl. 2 fastening brackets (stainless), 4 screws and frame protector plate, type 1 (stainless)	Prod. code 900669
Planet assembly set TW/US for metal , incl. 2 fastening brackets (stainless), 4 screws and frame protector plate, type 1 (stainless)	Prod. code 900671
Planet frame protector plate type 1 (stainless); possible type 2/3/4/5 → refer to chapter Accessories Options	Prod. code 900014
Cut the Planet to fix dimension	Prod. code 900200
Bevel lip , DIN L or DIN R	refer to price list, options / supplements

Advertising text



Planet US → RD (smoke-shielding) ≤ 48 dB
Automatic door drop-down seal **Planet US → RD** ≤ 48 dB, for sound absorption and smoke-shielding doors, release on hinge side with automatic compensation in case of an inclined floor, parallel drop-down, seal height up to ↓ 20 mm, flush or deeper to put in groove with lip protection. Lateral fastening, lip from silicone. Aluminum profile → 8 x 30 mm.

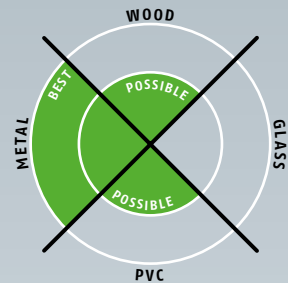
Advertising text



Planet US → FH+RD (fire-retardant + smoke-shielding) ≤ 48 dB
Automatic door drop-down seal **Planet US → FH+RD** ≤ 48 dB, for sound protection-, smoke-shielding and fire-retardant doors, release on hinge side with automatic compensation in case of an inclined floor, parallel drop-down, seal height up to ↓ 20 mm, flush or deeper to put in groove with lip protection. Lateral fastening, self-extinguishing silicone lip. Aluminum profile → 8 x 30 mm.

Planet TW

→ 8 x 20 mm | ↓ 12 mm | ≤ 49 dB



Main features

- Seal height up to ↓ 12 mm
- Acoustic insulation up to ≤ 49 dB in case of an optimal sealing
- Especially for narrow doors or limited space
- Unilateral and soundless release, silent seal
- Due to parallel drop-down no trailing on the floor
- Automatic compensation at inclined floors
- High-grade silicone lip, simple lift height adjustment
- Can be shortened up to the next shorter length on stock
- No extra need to cut off silicone at both ends
- 7 years warranty

Versions

- Planet TW → RD ≤ 49 dB, smoke-shielding
- Planet TW → FH+RD ≤ 49 dB, fire-retardant + smoke-shielding
- Planet TW → Sliding door+RD ≤ 49 dB, sliding doors + smoke-shielding
- Special versions on request

Door types with Planet TW

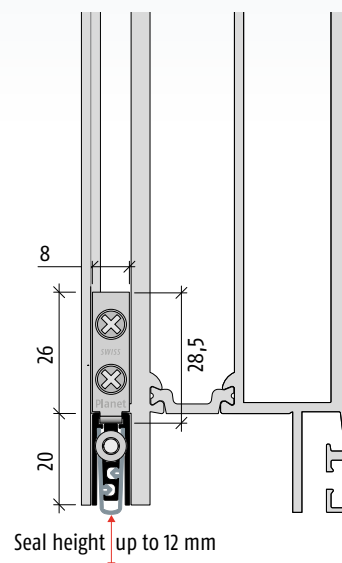


More functions



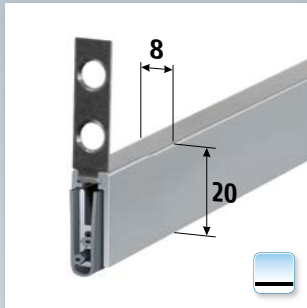
Technical specifications

Profile material	Aluminum, → 8 x 20 mm
Groove size	width 8,1 mm with depth 20,5 mm
Seal profile	high-grade silicone or high-grade self-extinguishing silicone
Seal height	up to ↓ 12 mm
Sound absorption value	up to ≤ 49 dB at 7 mm space to the floor
Lift height adjustment	on the release knob with an Allen key 3 mm
Lengths in stock	460, 585, 710, 835, 960, 1085, 1210, 1335, 1460, 1585 mm
Special lengths	on request up to 6000 mm for wing- and sliding doors
Release	unilaterally on hinge side
Can be shortened	up to the maximum of 125 mm
Fastening	on the side with stainless steel angle brackets and screws
Frame protector plate	Stainless, hammer fixed, 20 x 20 mm
Test approvals	on request



Seal height up to 12 mm

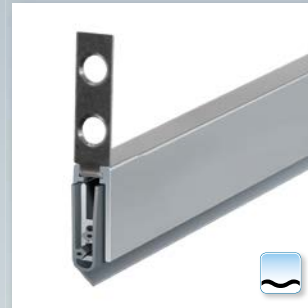




Profile Planet TW with fastening brackets for metal



Planet TW with fastening brackets for metal, release side



Option: Planet TW with fastening brackets for metal, bevel lip



Planet assembly set TW/US for metal doors (standard)



Option: profile Planet TW with fastening brackets for wood



Option: Planet TW with fastening brackets for wood, release side



Option: Planet TW with fastening brackets for wood, bevel lip for uneven floors



Option: Planet assembly set TW/US for wooden doors

Order specifications

Planet TW → RD ≤ 49 dB incl. Planet assembly set TW/US	Prod. code 20xxx*
Planet TW → FH+RD ≤ 49 dB incl. Planet assembly set TW/US	Prod. code 21xxx*
Planet TW → Sliding door (option)	Prod. code 900908

* xxx = refer to price list for profile length

Accessories | Options

Planet assembly set TW/US for metal , incl. 2 fastening brackets (stainless), 4 screws and frame protector plate, type 1 (stainless)	Prod. code 900671
Planet assembly set TW/US for wood , incl. 2 fastening brackets (stainless), 4 screws and frame protector plate, type 1 (stainless)	Prod. code 900669
Planet frame protector plate type 1 (stainless); possible type 2/3/4/5 → refer to chapter Accessories Options	Prod. code 900014
Cut the Planet to fix dimension	Prod. code 900200

Advertising text



Planet TW → RD (smoke-shielding) ≤ 49 dB

Automatic door drop-down seal **Planet TW → RD** ≤ 49 dB, for sound absorption and smoke-shielding doors, release on hinge side with automatic compensation in case of an inclined floor, parallel drop-down, seal height up to ↓12 mm. Lateral fastening, lip from silicone. Aluminum profile → 8 x 20 mm.

Advertising text



Planet TW → FH+RD (fire-retardant + smoke-shielding) ≤ 49 dB

Automatic door drop-down seal **Planet TW → FH+RD** ≤ 49 dB, for sound protection-, smoke-shielding and fire-retardant doors, release on hinge side with automatic compensation in case of an inclined floor, parallel drop-down, seal height up to ↓12 mm. Lateral fastening, self-extinguishing silicone lip. Aluminum profile → 8 x 20 mm.

Planet^{swiss}® news

Planet HS-plus / FT-plus:
for best sound protection up to $\blacktriangleleft \geq 55$ dB

NEW



HS-plus ≥ 55 dB

FT-plus ≥ 55 dB

≥ 55 dB



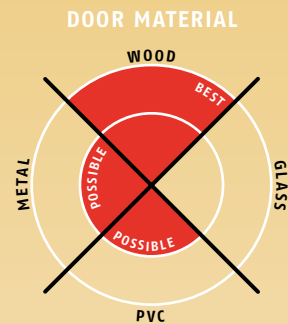
Planet HS-plus → see page 50–51
Planet FT-plus → see page 52–53

Planet drop-down seals
→ **13 mm** profiles

3

Planet HS-plus	50-51
Planet FT-plus	52-53
Planet HS	54-55
Planet RH	56-57
Planet FT	58-59
Planet RF	60-61
Planet KT	62-63
Planet SL	64-65

Planet HS-plus → 13 x 30 mm | ↓ 22 mm | ≧ 55 dB



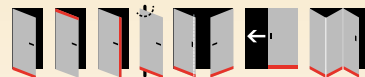
Main features

- Seal height up to ↓ 22 mm
- Acoustic insulation of ≧ 55 dB in case of an optimal sealing
- Protected silicone lips since deeper embedded
- Door can be adapted on bottom without removal
- Unilateral and soundless release, silent seal
- Due to parallel drop-down no trailing on the floor
- Automatic compensation at inclined floors
- For double leaf folding doors with flush bolt or driving bar
- High-grade silicone lip, simple lift height adjustment
- Can be shortened up to the next shorter length on stock
- No extra need to cut off silicone at both ends
- 7 years warranty

Versions

- Planet HS-plus → FH+RD ≧ 55 dB, fire-retardant + smoke-shielding
- Option Double-shortening → refer to chapter Accessories | TR125
- Special versions on request

Door types with Planet HS-plus



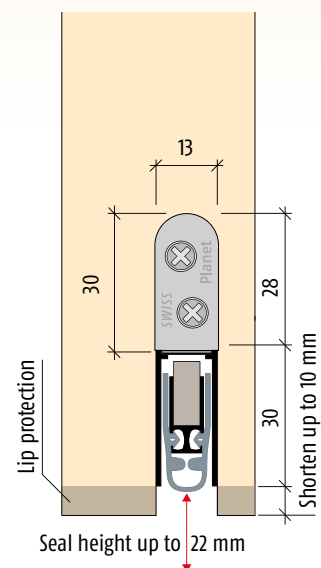
Double leaf doors → refer to chapter Accessories | Flush bolt, drilling

More functions



Technical specifications

Profile material	Aluminum, → 13 x 30 mm
Groove size	□ width 13,1 mm with depth 30,5 up to 40 mm
Seal profile	high-grade silicone or high-grade self-extinguishing silicone
Seal height	up to ↓ 22 mm
Sound absorption value	up to ≧ 55 dB at 7 mm space to the floor; up to ≧ 51 dB at 14 mm space to the floor
Lift height adjustment	on the release knob with an Allen key 3 mm
Lengths in stock	335, 460, 585, 710, 835, 960, 1085, 1210, 1335, 1460 mm
Special lengths	on request up to 6000 mm for wing- and sliding doors
Release	unilaterally on hinge side
Can be shortened	up to the maximum of 125 mm (335 mm only 115 mm)
Fastening	on the side with stainless steel angle brackets and screws
Frame protector plate	Stainless, hammer fixed, 20 x 20 mm
Test approvals	on request





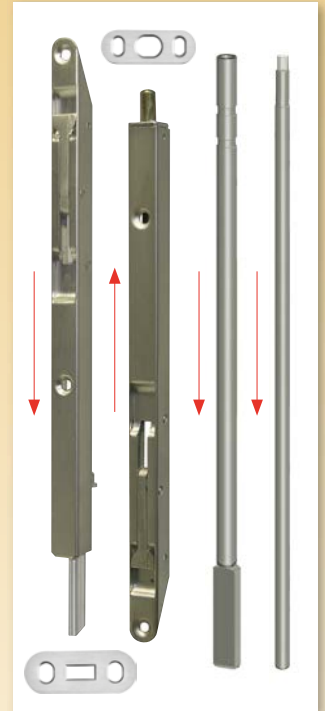
Profile Planet HS-plus



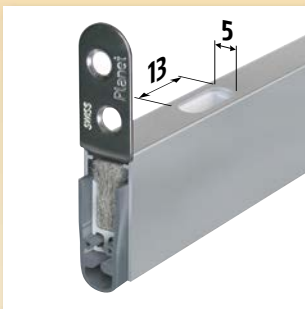
Planet HS-plus with fastening brackets, release knob



Planet assembly set HS



Accessories: Planet KR flush bolt, incl. strike plate → refer to chapter Accessories | Flush bolt
Driving bar rods flattened → see pages 145 – 155



Option: Planet HS-plus with Planet drill hole $\varnothing 5 \times 13$ mm for flush bolt, driving bar rods → refer to chapter Accessories | driving bar rods



Option: Planet HS-plus with Planet drill hole $\varnothing 5 \times 13$ mm and driving bar rod → refer to chapter Accessories | driving bar rods



Option: Planet HS-plus with Planet drill hole $\varnothing 8$ mm for driving bar rods → refer to chapter Accessories | driving bar rods

Order specifications

Planet HS-plus-SD → FH+RD $\leq \geq 55$ dB
incl. assembly set HS
Prod. code 77xxx-SD*

* xxx = refer to price list for profile length

Accessories | Options

Planet assembly set HS incl. 2 fastening brackets (stainless), 4 screws and frame protector plate, type 1 (stainless)	Prod. code 900180
Planet frame protector plate type 1 (stainless); possible type 2/3/4/5 → refer to chapter Accessories Options	Prod. code 900014
Cut the Planet to fix dimension	Prod. code 900200
Planet drill hole $\varnothing 8$ mm	Prod. code 900866
Planet drill hole $\varnothing 5 \times 13$ mm including plastic guide, for Planet KR and driving bar rods flattened → refer to chapter Accessories Flush bolt, drilling	Prod. code 900190
Planet BM floor recess plates → refer to chapter Accessories BM	Prod. code 90034x-x Prod. code 90027x-x

x-x = Several Planet Floor recess plates available in different adjustment range refer to chapter Accessories | BM

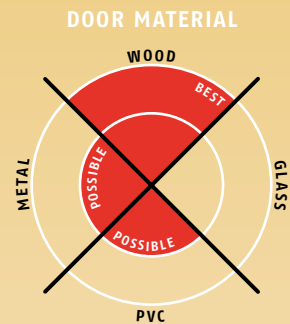
Advertising text



Planet HS-plus → FH+RD (fire-retardant + smoke-shielding) $\leq \geq 55$ dB

Automatic door drop-down seal **Planet HS-plus → FH+RD $\leq \geq 55$ dB**, for sound protection-, smoke-shielding and fire-retardant doors, release on hinge side with automatic compensation in case of an inclined floor, parallel drop-down, seal height up to $\downarrow 22$ mm, flush or deeper to put in groove with lip protection. Lateral fastening, self-extinguishing silicone lip. Aluminum profile → **13 x 30 mm**.

Planet FT-plus → 13 x 30 mm | ↓ 22 mm | ≤ ≥55 dB



Main features

- Seal height up to ↓ 22 mm
- Acoustic insulation of ≤ ≥55 dB in case of an optimal sealing
- Unilateral and soundless release, silent seal
- Due to parallel drop-down no trailing on the floor
- Automatic compensation at inclined floors
- One groove width for Planet FT and RF (uneven floors)
- For double leaf folding doors with flush bolt or driving bar
- Also suitable for Planet Socle (→ refer to Planet Socle)
- High-grade silicone lip, simple lift height adjustment
- Can be shortened up to the next shorter length on stock
- No extra need to cut off silicone at both ends
- 7 years warranty

Versions

- Planet FT-plus → FH+RD ≤ ≥55 dB, fire-retardant + smoke-shielding
- Option Double-shortening → refer to chapter Accessories | TR125
- Special versions on request

Door types with Planet FT-plus



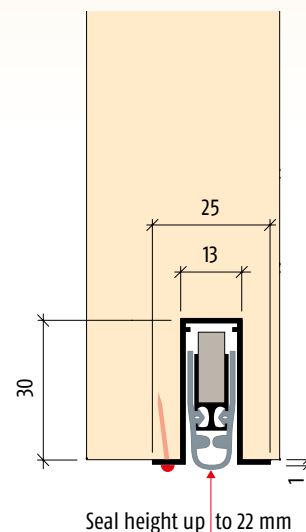
Double leaf doors → refer to chapter Accessories | Flush bolt, drilling

More functions



Technical specifications

Profile material	Aluminum, → 13 x 30 mm
Groove size	□ width 13,1 mm with depth 30,5 mm
Seal profile	high-grade silicone or high-grade self-extinguishing silicone
Seal height	up to ↓ 22 mm
Sound absorption value	up to ≤ ≥55 dB at 7 mm space to the floor; up to ≤ 51 dB at 14 mm space to the floor
Lift height adjustment	on the release knob with an Allen key 3 mm
Lengths in stock	350, 450, 550, 650, 750, 850, 950, 1050, 1150, 1250, 1350, 1450 mm
Special lengths	on request up to 6000 mm for wing- and sliding doors
Release	unilaterally on hinge side
Can be shortened	up to the maximum of 100 mm
Fastening	from the bottom with screws or nails / pins available by customer
Frame protector plate	Stainless, hammer fixed, 20 x 20 mm
Test approvals	on request

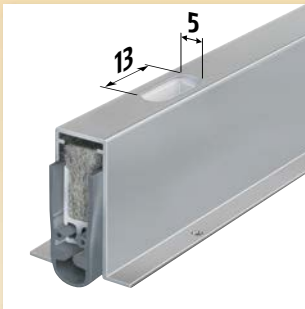




Profile Planet FT-plus



Planet FT-plus, release side



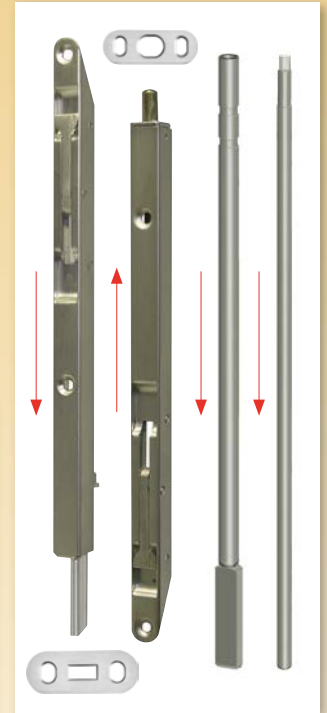
Option: Planet FT-plus with Planet drill hole $\varnothing 5 \times 13$ mm for flush bolt, driving bar rods → refer to chapter Accessories | driving bar rods



Option: Planet FT-plus with Planet drill hole $\varnothing 5 \times 13$ mm and driving bar rod → refer to chapter Accessories | driving bar rods



Option: Planet FT-plus with Planet drill hole $\varnothing 8$ mm for driving bar rods → refer to chapter Accessories | driving bar rods



Accessories: Planet KR flush bolt, incl. strike plate → refer to chapter Accessories | Flush bolt
Driving bar rods flattened → see pages 145 – 155

Order specifications

Planet FT-plus-SD → FH+RD $\triangleleft \geq 55$ dB including frame protector plate, type 1	Prod. code 71xxx-SD*
---	----------------------

* xxx = refer to price list for profile length

Accessories | Options

Planet frame protector plate type 1 (stainless); possible type 2/3/4/5 → refer to chapter Accessories Options	Prod. code 900014
Cut the Planet to fix dimension	Prod. code 900200
Planet covering plates	Prod. code 70010
Planet drill hole $\varnothing 8$ mm	Prod. code 900866
Planet drill hole $\varnothing 5 \times 13$ mm including plastic guide, for Planet KR and driving bar rods flattened → refer to chapter Accessories Flush bolt, drilling	Prod. code 900190
Planet Socle for for bottom mounting → refer to chapter Socle	Prod. code 19xxx*
Planet BM floor recess plates → refer to chapter Accessories BM	Prod. code 90034x-x Prod. code 90027x-x

x-x = Several Planet Floor recess plates available in different adjustment range refer to chapter Accessories | BM

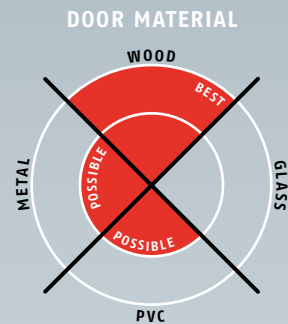
Advertising text



Planet FT-plus → FH+RD (fire-retardant + smoke-shielding) $\triangleleft \geq 55$ dB

Automatic door drop-down seal **Planet FT-plus → FH+RD** $\triangleleft \geq 55$ dB, for sound protection-, smoke-shielding- and fire-retardant doors, release on hinge side with automatic compensation in case of an inclined floor, parallel drop-down, seal height up to $\downarrow 22$ mm, flush to put in groove. Fastening on the bottom, self-extinguishing silicone lip. Aluminum profile → **13 x 30 mm**.

Planet HS → 13 x 30 mm | ↓ 22 mm | ≤ 48 dB



Main features

- Seal height up to ↓ 22 mm
- Acoustic insulation up to ≤ 48 dB in case of an optimal sealing
- Protected silicone lips since deeper embedded
- Door can be adapted on bottom without removal
- Unilateral and soundless release, silent seal
- Due to parallel drop-down no trailing on the floor
- Automatic compensation at inclined floors
- One groove width for Planet HS and RH (uneven floors)
- For double leaf folding doors with flush bolt or driving bar
- High-grade silicone lip, simple lift height adjustment
- Can be shortened up to the next shorter length on stock
- No extra need to cut off silicone at both ends
- 7 years warranty

Versions

- Planet HS → RD ≤ 48 dB, smoke-shielding
- Planet HS → FH+RD ≤ 48 dB, fire-retardant + smoke-shielding
- Planet HS → Sliding door+RD ≤ 48 dB, Sliding doors + smoke-shielding
- Silicone lip extended by 8 mm
- Anti-bacterial silicone lip is optional
- Possibility of silicone-free (TPE) execution
- Option Double-shortening → refer to chapter Accessories | TR125
- Special versions on request

Door types with Planet HS



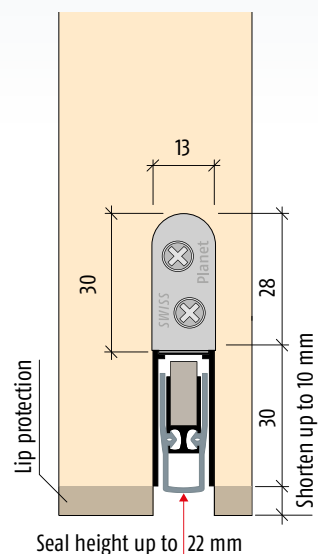
Double leaf doors → refer to chapter Accessories | Flush bolt, drilling

More functions



Technical specifications

Profile material	aluminum, → 13 x 30 mm
Groove size	□ width 13,1 mm with depth 30,5 up to 40 mm
Seal profile	high-grade silicone or high-grade self-extinguishing silicone
Seal height	up to ↓ 22 mm
Sound absorption value	up to ≤ 48 dB at 7 mm space to the floor; up to ≤ 42 dB at 18 mm space to the floor
Lift height adjustment	on the release knob with an Allen key 3 mm
Lengths in stock	335, 460, 585, 710, 835, 960, 1085, 1210, 1335, 1460 mm
Special lengths	on request up to 6000 mm for wing- and sliding doors
Release	unilaterally on hinge side
Can be shortened	up to the maximum of 125 mm (335 mm only 115 mm)
Fastening	on the side with stainless steel angle brackets and screws
Frame protector plate	Stainless, hammer fixed, 20 x 20 mm
Test approvals	on request





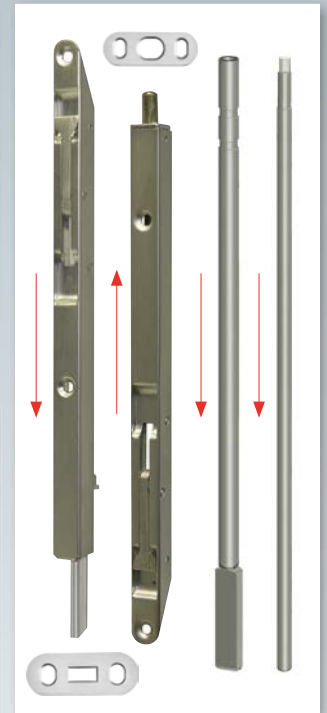
Profile Planet HS



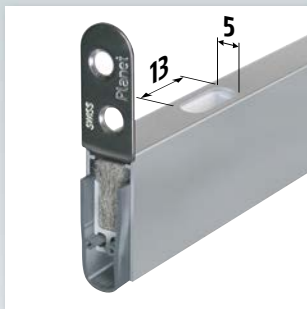
Planet HS with fastening brackets, release knob



Planet assembly set HS



Accessories: Planet KR flush bolt, incl. strike plate → refer to chapter Accessories | Flush bolt
Driving bar rods flattened → see pages 145 – 155



Option: Planet HS with Planet drill hole $\varnothing 5 \times 13$ mm for flush bolt, driving bar rods → refer to chapter Accessories | driving bar rods



Option: Planet HS with Planet drill hole $\varnothing 8$ mm for driving bar rods → refer to chapter Accessories | driving bar rods



Option: Planet HS: silicone lip extended by 8 mm, with fastening brackets, release side

Order specifications

Planet HS → RD ≤ 48 dB incl. assembly set HS	Prod. code 76xxx*
Planet HS → FH+RD ≤ 48 dB incl. assembly set HS	Prod. code 77xxx*
Planet HS → sliding doors (option)	Prod. code 900908

* xxx = refer to price list for profile length

Accessories | Options

Planet assembly set HS incl. 2 fastening brackets (stainless), 4 screws and frame protector plate, type 1 (stainless)	Prod. code 900180
Planet frame protector plate type 1 (stainless); possible type 2/3/4/5 → refer to chapter Accessories Options	Prod. code 900014
Cut the Planet to fix dimension	Prod. code 900200
Planet drill hole $\varnothing 8$ mm	Prod. code 900866
Planet drill hole $\varnothing 5 \times 13$ mm including plastic guide, for Planet KR and driving bar rods flattened → refer to chapter Accessories Flush bolt, drilling	Prod. code 900190
Planet BM floor recess plates → refer to chapter Accessories BM	Prod. code 90034x-x Prod. code 90027x-x

x-x = Several Planet Floor recess plates available in different adjustment range refer to chapter Accessories | BM

Advertising text



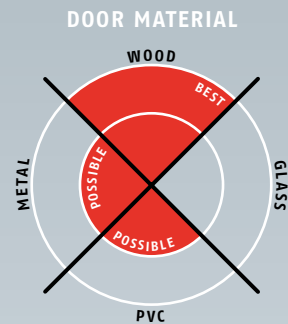
Planet HS → RD (smoke-shielding) ≤ 48 dB
Automatic door drop-down seal **Planet HS → RD ≤ 48 dB**, for sound absorption and smoke-shielding doors, release on hinge side with automatic compensation in case of an inclined floor, parallel drop-down, seal height up to $\downarrow 22$ mm, flush or deeper to put in groove with lip protection. Silicone lip, lateral fastening. Aluminum profile → **13 x 30 mm**.

Advertising text



Planet HS → FH+RD (fire-retardant + smoke-shielding) ≤ 48 dB
Automatic door drop-down seal **Planet HS → FH+RD ≤ 48 dB**, for sound protection-, smoke-shielding and fire-retardant doors, release on hinge side with automatic compensation in case of an inclined floor, parallel drop-down, seal height up to $\downarrow 22$ mm, flush or deeper to put in groove with lip protection. Lateral fastening, self-extinguishing silicone lip. Aluminum profile → **13 x 30 mm**.

Planet RH → 13 x 30 mm | ↓ 27 mm | ≤ 44 dB



Main features

- Seal height up to ↓ 27 mm
- Acoustic insulation up to ≤ 44 dB in case of an optimal sealing
- For wavy, buckled, hollow, bevelled and uneven floor
- Soft silicone bevel lip seal
- Compensation of 15 mm in case of sloping floor at door width of 1000 mm
- Unilateral and soundless release, silent seal
- Due to parallel drop-down no trailing on the floor
- One groove width for Planet RH and HS (even floors)
- For double leaf folding doors with flush bolt or driving bar
- High-grade silicone lip, simple lift height adjustment
- Can be shortened up to the next shorter length on stock
- No extra need to cut off silicone at both ends
- 7 years warranty

Versions

- Planet RH → RD ≤ 44 dB, smoke-shielding
- Planet RH → FH+RD ≤ 44 dB, fire-retardant + smoke-shielding
- Planet RH → Sliding door+RD ≤ 44 dB, Sliding doors + smoke-shielding
- DIN L or DIN R
- Option Double-shortening → refer to chapter Accessories | TR125
- Special versions on request

Door types with Planet RH



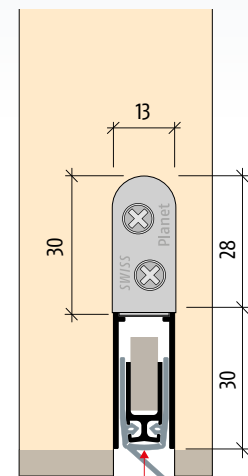
Double leaf doors → refer to chapter Accessories | Flush bolt, drilling

More functions



Technical specifications

Profile material	Aluminum, → 13 x 30 mm
Groove size	□ width 13,1 mm with depth 30,5 up to 40 mm
Seal profile	high-grade silicone or high-grade self-extinguishing silicone
Seal height	up to ↓ 27 mm
Sound absorption value	up to ≤ 44 dB
Lift height adjustment	on the release knob with an Allen key 3 mm
Lengths in stock	335, 460, 585, 710, 835, 960, 1085, 1210, 1335 and 1460 mm
Special lengths	on request up to 6000 mm for wing- and sliding doors
Release	unilaterally on hinge side
Can be shortened	up to the maximum of 125 mm (335 mm only 115 mm)
Fastening	on the side with stainless steel angle brackets and screws
Frame protector plate	Stainless, hammer fixed, 20 x 20 mm
Test approvals	on request



Closing direction → Seal height up to 27 mm



Versions | Options | Accessories



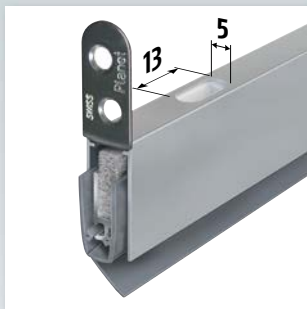
Profile Planet RH



Planet RH with fastening brackets, release side



Planet assembly set HS for Planet RH



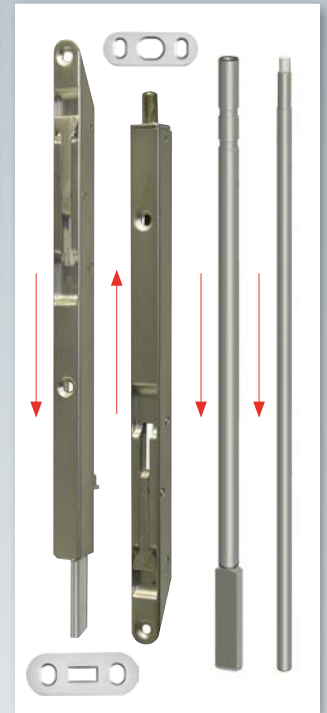
Option: Planet RH with Planet drill hole $\varnothing 5 \times 13$ mm for flush bolt, driving bar rods → refer to chapter Accessories | driving bar rods



Option: Planet RH with Planet drill hole $\varnothing 5 \times 13$ mm and driving bar rod → refer to chapter Accessories | driving bar rods



Option: Planet RH with Planet drill hole $\varnothing 8$ mm for driving bar rods → refer to chapter Accessories | driving bar rods



Accessories: Planet KR flush bolt, incl. strike plate → refer to chapter Accessories | Flush bolt
Driving bar rods flattened → see pages 145 – 155

Order specifications

Planet RH → RD ≤ 44 dB incl. assembly set HS for Planet RH	Prod. code 88xxx*
Planet RH → FH+RD ≤ 44 dB incl. assembly set HS for Planet RH	Prod. code 85xxx*
Planet RH → sliding doors (option)	Prod. code 900908
<p>DIN R (left handed)</p>	
<p>DIN L (right handed)</p>	

* xxx = refer to price list for profile length

Accessories | Options

Planet assembly set HS for Planet RH incl. 2 fastening brackets (stainless), 4 screws and frame protector plate, type 1 (stainless)	Prod. code 900180
Planet frame protector plate type 1 (stainless); possible type 2/3/4/5 → refer to chapter Accessories Options	Prod. code 900014
Cut the Planet to fix dimension	Prod. code 900200
Planet drill hole $\varnothing 8$ mm	Prod. code 900866
Planet drill hole $\varnothing 5 \times 13$ mm including plastic guide, for Planet KR and driving bar rods flattened → refer to chapter Accessories Flush bolt, drilling	Prod. code 900190
Planet BM floor recess plates → refer to chapter Accessories BM	Prod. code 90034x-x Prod. code 90027x-x

x-x = Several Planet Floor recess plates available in different adjustment range refer to chapter Accessories | BM

Advertising text



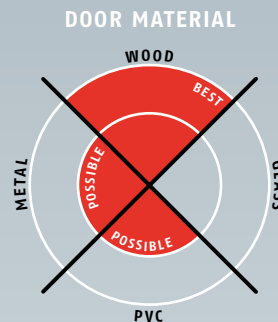
Planet RH → RD (smoke-shielding) ≤ 44 dB
Automatic door drop-down seal Planet RH → RD ≤ 44 dB, especially for uneven floors, for sound protection and smoke-shielding doors, release on hinge side, fits on the uneven floor, seal height up to $\downarrow 27$ mm, flush or deeper to put in groove. Lateral fastening. Aluminum profile → 13×30 mm.

Advertising text



Planet RH → FH+RD (fire-retardant + smoke-shielding) ≤ 44 dB
Automatic door drop-down seal Planet RH → FH+RD ≤ 44 dB, especially for uneven floors, for sound protection-, smoke-shielding and fire-retardant doors, release on hinge side, fits on the uneven floor, seal height up to $\downarrow 27$ mm, flush or deeper to put in groove. Lateral fastening. Aluminum profile → 13×30 mm.

Planet FT → 13 x 30 mm | ↓ 22 mm | ≤ 48 dB



Main features

- Seal height up to ↓ 22 mm
- Acoustic insulation up to ≤ 48 dB in case of an optimal sealing
- Unilateral and soundless release, silent seal
- Due to parallel drop-down no trailing on the floor
- Automatic compensation at inclined floors
- One groove width for Planet FT and RF (uneven floors)
- For double leaf folding doors with flush bolt or driving bar
- Also suitable for Planet Socle (→ refer to Planet Socle)
- High-grade silicone lip, simple lift height adjustment
- Can be shortened up to the next shorter length on stock
- No extra need to cut off silicone at both ends
- 7 years warranty

Versions

- Planet FT → RD ≤ 48 dB, smoke-shielding
- Planet FT → FH+RD ≤ 48 dB, fire-retardant + smoke-shielding
- Planet FT → Sliding door+RD ≤ 48 dB, sliding doors + smoke-shielding
- Silicone lip extended by 8 mm
- Anti-bacterial silicone lip is optional
- Possibility of silicone-free (TPE) execution
- Option Double-shortening → refer to chapter Accessories | TR125
- Special versions on request

Door types with Planet FT



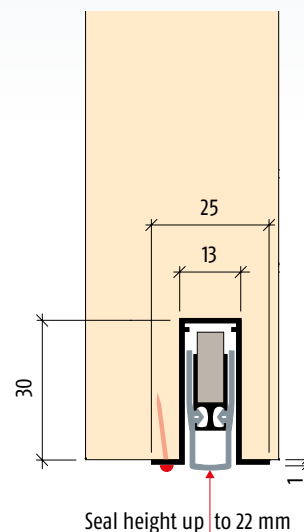
Double leaf doors → refer to chapter Accessories | Flush bolt, drilling

More functions



Technical specifications

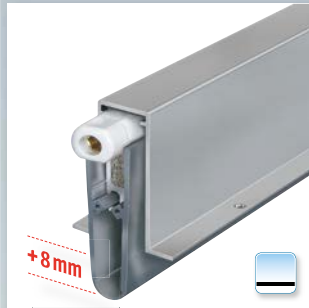
Profile material	Aluminum, → 13 x 30 mm
Groove size	width 13,1 mm with depth 30,5 mm
Seal profile	high-grade silicone or high-grade self-extinguishing silicone
Seal height	up to ↓ 22 mm
Sound absorption value	up to ≤ 48 dB at 7 mm space to the floor; up to ≤ 42 dB at 20 mm space to the floor
Lift height adjustment	on the release knob with an Allen key 3 mm
Lengths in stock	350, 450, 550, 650, 750, 850, 950, 1050, 1150, 1250, 1350, 1450 mm
Special lengths	on request up to 6000 mm for wing- and sliding doors
Release	unilaterally on hinge side
Can be shortened	up to the maximum of 100 mm
Fastening	from the bottom with screws or nails / pins available by customer
Frame protector plate	Stainless, hammer fixed, 20 x 20 mm
Test approvals	on request



Versions | Options | Accessories



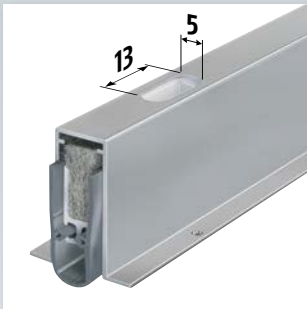
Planet FT, release side



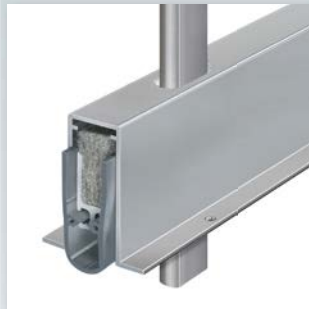
Option: Planet FT: silicone lip extended by 8 mm, release side



Option: Planet FT with Planet Socle → refer to chapter Socle



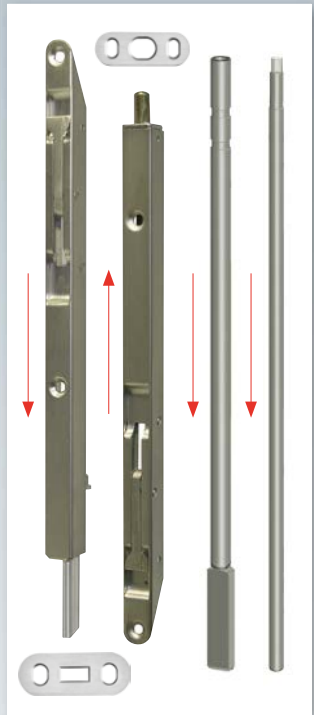
Option: Planet FT with Planet drill hole $\varnothing 5 \times 13$ mm for flush bolt, driving bar rods → refer to chapter Accessories | driving bar rods



Option: Planet FT with Planet drill hole $\varnothing 5 \times 13$ mm and driving bar rod → refer to chapter Accessories | driving bar rods



Option: Planet FT with Planet drill hole $\varnothing 8$ mm for driving bar rods → refer to chapter Accessories | driving bar rods



Accessories: Planet KR flush bolt, incl. strike plate → refer to chapter Accessories | Flush bolt
Driving bar rods flattened → see pages 145 – 155

Order specifications

Planet FT → RD ≤ 48 dB including frame protector plate, type 1	Prod. code 70xxx*
Planet FT → FH+RD ≤ 48 dB including frame protector plate, type 1	Prod. code 71xxx*
Planet FT → Sliding door (option)	Prod. code 900908

* xxx = refer to price list for profile length

Accessories | Options

Planet frame protector plate type 1 (stainless); possible type 2/3/4/5 → refer to chapter Accessories Options	Prod. code 900014
Cut the Planet to fix dimension	Prod. code 900200
Planet covering plates	Prod. code 70010
Planet drill hole $\varnothing 8$ mm	Prod. code 900866
Planet drill hole $\varnothing 5 \times 13$ mm including plastic guide, for Planet KR and driving bar rods flattened → refer to chapter Accessories Flush bolt, drilling	Prod. code 900190
Planet Socle for for bottom mounting → refer to chapter Socle	Prod. code 19xxx*
Planet BM floor recess plates → refer to chapter Accessories BM	Prod. code 90034x-x Prod. code 90027x-x

x-x = Several Planet Floor recess plates available in different adjustment range refer to chapter Accessories | BM

Advertising text



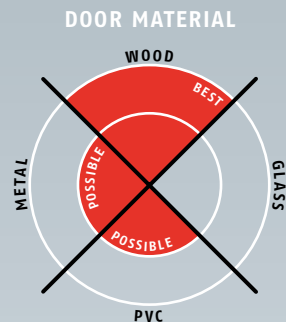
Planet FT → RD (smoke-shielding) ≤ 48 dB
Automatic door drop-down seal **Planet FT → RD ≤ 48 dB**, for sound absorption and smoke-shielding doors, release on hinge side with automatic compensation in case of an inclined floor, parallel drop-down, seal height up to $\downarrow 22$ mm, flush to put in groove. Silicone lip, fastening on the bottom. Aluminum profile → **13 x 30 mm**.

Advertising text



Planet FT → FH+RD (fire-retardant + smoke-shielding) ≤ 48 dB
Automatic door drop-down seal **Planet FT → FH+RD ≤ 48 dB**, for sound protection-, smoke-shielding- and fire-retardant doors, release on hinge side with automatic compensation in case of an inclined floor, parallel drop-down, seal height up to $\downarrow 22$ mm, flush to put in groove. Fastening on the bottom, self-extinguishing silicone lip. Aluminum profile → **13 x 30 mm**.

Planet RF → 13 x 30 mm | ↓ 27 mm | ≤ 44 dB



Main features

- Seal height up to ↓ 27 mm
- Acoustic insulation up to ≤ 44 dB in case of an optimal sealing
- For wavy, buckled, hollow, bevelled and uneven floor
- Soft silicone bevel lip seal
- Compensation of 15 mm in case of sloping floor at door width of 1000 mm
- Unilateral and soundless release, silent seal
- Due to parallel drop-down no trailing on the floor
- One groove width for Planet RF and FT (even floors)
- For double leaf folding doors with flush bolt or driving bar
- Also suitable for Planet Socle (→ refer to Planet Socle)
- High-grade silicone lip, simple lift height adjustment
- Can be shortened up to the next shorter length on stock
- No extra need to cut off silicone at both ends
- 7 years warranty



Versions

- Planet RF → RD ≤ 44 dB, smoke-shielding
- Planet RF → FH+RD ≤ 44 dB, fire-retardant + smoke-shielding
- Planet RF → Sliding door+RD ≤ 44 dB, sliding doors + smoke-shielding
- DIN L or DIN R
- Option Double-shortening → refer to chapter Accessories | TR125
- Special versions on request

Door types with Planet RF



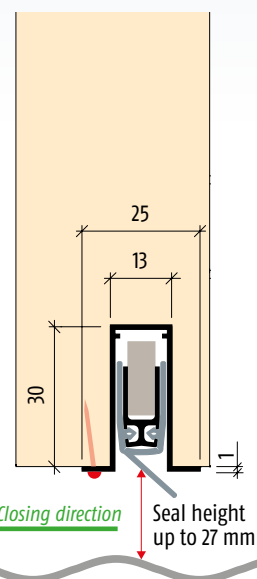
Double leaf doors → refer to chapter Accessories | Flush bolt, drilling

More functions

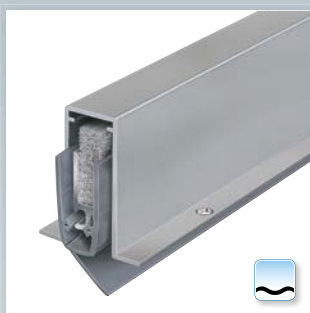


Technical specifications

Profile material	Aluminum, → 13 x 30 mm
Groove size	width 13,1 mm with depth 30,5 mm
Seal profile	high-grade silicone or high-grade self-extinguishing silicone
Seal height	up to ↓ 27 mm
Sound absorption value	up to ≤ 44 dB
Lift height adjustment	on the release knob with an Allen key 3 mm
Lengths in stock	350, 450, 550, 650, 750, 850, 950, 1050, 1150, 1250, 1350, 1450 mm
Special lengths	on request up to 6000 mm for wing- and sliding doors
Release	unilaterally on hinge side
Can be shortened	up to the maximum of 100 mm
Fastening	from the bottom with screws or nails / pins available by customer
Frame protector plate	Stainless, hammer fixed, 20 x 20 mm
Test approvals	on request



Versions | Options | Accessories



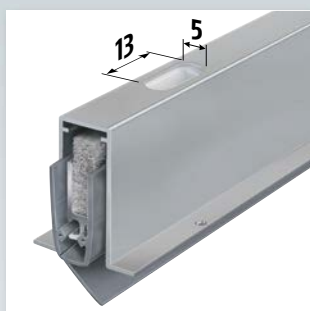
Profile Planet RF



Planet RF, release side



Option: Planet RF with Planet Socle
→ refer to chapter Socle



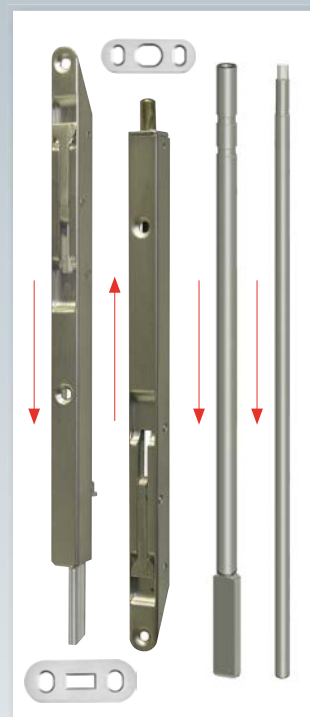
Option: Planet RF with Planet drill hole $\varnothing 5 \times 13$ mm for flush bolt, driving bar rods → refer to chapter Accessories | driving bar rods



Option: Planet RF with Planet drill hole $\varnothing 5 \times 13$ mm and driving bar rod → refer to chapter Accessories | driving bar rods



Option: Planet RF with Planet drill hole $\varnothing 8$ mm for driving bar rods → refer to chapter Accessories | driving bar rods



Accessories: Planet KR flush bolt, incl. strike plate → refer to chapter Accessories | Flush bolt
Driving bar rods flattened
→ see pages 145 – 155

Order specifications

Planet RF → RD ≤ 44 dB including frame protector plate, type 1	Prod. code 86xxx*
Planet RF → FH+RD ≤ 44 dB including frame protector plate, type 1	Prod. code 84xxx*
Planet RF → Sliding door (option)	Prod. code 900908

DIN R (left handed)

DIN L (right handed)

* xxx = refer to price list for profile length

Accessories | Options

Planet frame protector plate type 1 (stainless); possible type 2/3/4/5 → refer to chapter Accessories Options	Prod. code 900014
Cut the Planet to fix dimension	Prod. code 900200
Planet covering plates	Prod. code 70010
Planet drill hole $\varnothing 8$ mm	Prod. code 900866
Planet drill hole $\varnothing 5 \times 13$ mm including plastic guide, for Planet KR and driving bar rods flattened → refer to chapter Accessories Flush bolt, drilling	Prod. code 900190
Planet Socle for bottom mounting → refer to chapter Socle	Prod. code 19xxx*
Planet BM recess plates → refer to chapter Accessories BM	Prod. code 90034x-x Prod. code 90027x-x

x-x = Several Planet Floor recess plates available in different adjustment range refer to chapter Accessories | BM

Advertising text



Planet RF → RD (smoke-shielding) ≤ 44 dB

Automatic door drop-down seal **Planet RF → RD** ≤ 44 dB, especially for uneven floors, for sound protection and smoke-shielding doors, release on hinge side, fits on the uneven floor, seal height up to $\downarrow 27$ mm, flush to put in groove. Silicone lip, fastening on the bottom. Aluminum profile → **13 x 30 mm**.

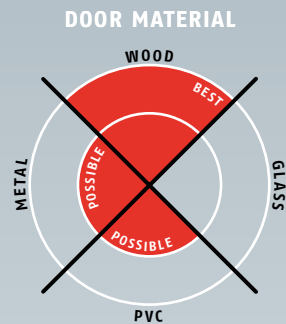
Advertising text



Planet RF → FH+RD (fire-retardant + smoke-shielding) ≤ 44 dB

Automatic door drop-down seal **Planet RF → FH+RD** ≤ 44 dB, especially for uneven floors, for sound protection-, smoke-shielding and fire-retardant doors, release on hinge side, fits on the uneven floor, seal height up to $\downarrow 27$ mm, flush to put in groove. Fastening on the bottom, self-extinguishing silicone lip. Aluminum profile → **13 x 30 mm**.

Planet KT → 13 x 25 mm | ↓ 18 mm | ≦ 48 dB



Main features

- Seal height up to ↓ 18 mm
- Acoustic insulation up to ≦ 48 dB in case of an optimal sealing
- Protected silicone lips since deeper embedded
- Unilateral and soundless release, silent seal
- Due to parallel drop-down no trailing on the floor
- Automatic compensation at inclined floors
- For double-wing folding doors with flush bolt or driving bar
- High-grade silicone lip, simple lift height adjustment
- Can be shortened up to the next shorter length on stock
- No extra need to cut off silicone at both ends
- 7 years warranty

Versions

- Planet KT → RD ≦ 48 dB, smoke-shielding
- Planet KT → FH+RD ≦ 48 dB, fire-retardant + smoke-shielding
- Special executions on request
- **NEW** Option Planet KT-plus ≦ 54 dB for best sound protection

Door types with Planet KT



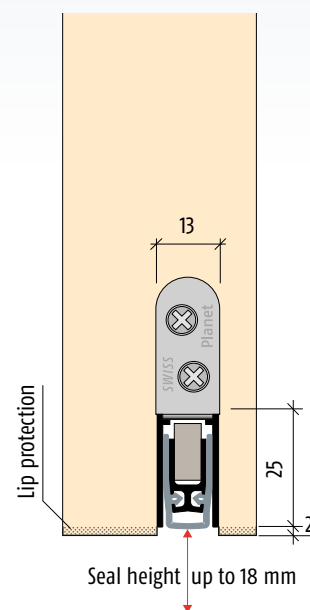
Double-wing doors → refer to chapter Accessories | Flush bolt, drilling

More functions



Technical specifications

Profile material	Aluminum, → 13 x 25 mm
Groove size	□ width 13,1 mm with depth 25,5 up to 35 mm
Seal profile	high-grade silicone or high-grade self-extinguishing silicone
Seal height	up to ↓ 18 mm
Sound absorption value	up to ≦ 48 dB at 7 mm space to the floor; up to ≦ 44 dB at 14 mm space to the floor
Lift height adjustment	on the release knob with an Allen key 3 mm
Lengths in stock	335, 460, 585, 710, 835, 960, 1085, 1210, 1335, 1460 mm
Special lengths	on request up to 6000 mm
Release	unilaterally on hinge side
Can be shortened	up to the maximum of 125 mm (335 mm only 115 mm)
Fastening	on the side with stainless steel angle brackets and screws
Frame protector plate	Stainless, hammer fixed, 20 x 20 mm
Test approvals	on request



Versions | Options | Accessories



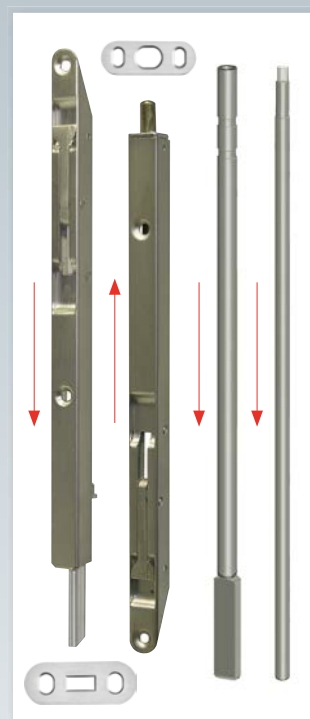
Option: Planet KT-plus for best sound protection



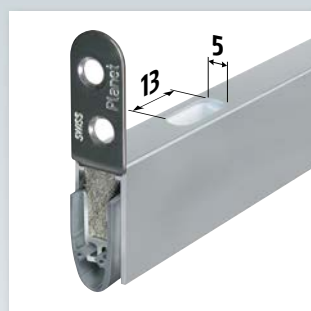
Option: Planet KT with bevel lip for uneven floors



Planet assembly set HS for Planet KT



Accessories: Planet KR flush bolt, incl. strike plate → refer to chapter Accessories | Flush bolt
Driving bar rods flattened → see pages 145 – 155



Option: Planet KT with Planet drill hole $\varnothing 5 \times 13$ mm for flush bolt, driving bar rods → refer to chapter Accessories | driving bar rods



Option: Planet KT with Planet drill hole $\varnothing 5 \times 13$ mm and driving bar rod → refer to chapter Accessories | driving bar rods



Option: Planet KT with Planet drill hole $\varnothing 8$ mm for driving bar rods → refer to chapter Accessories | driving bar rods

Order specifications

Planet KT → RD ≤ 48 dB incl. assembly set HS for Planet KT	Prod. code 30xxx*
Planet KT → FH+RD ≤ 48 dB incl. assembly set HS for Planet KT	Prod. code 31xxx*

* xxx = refer to price list for profile length

Accessories | Options

Planet KT-plus ≤ 54 dB for best sound protection	refer to price list, options/supplements
Planet assembly set HS for Planet KT incl. 2 fastening brackets (stainless), 4 screws and frame protector plate, type 1 (stainless)	Prod. code 900180
Planet frame protector plate type 1 (stainless); possible type 2/3/4/5 → refer to chapter Accessories Options	Prod. code 900014
Cut the Planet to fix dimension	Prod. code 900200
Planet drill hole $\varnothing 8$ mm	Prod. code 900866
Planet drill hole $\varnothing 5 \times 13$ mm including plastic guide, for Planet KR and driving bar rods flattened → refer to chapter Accessories Flush bolt, drilling	Prod. code 900190
Planet BM floor recess plates → refer to chapter Accessories BM	Prod. code 90034x-x Prod. code 90027x-x

x-x = Several Planet Floor recess plates available in different adjustment range refer to chapter Accessories | BM

Advertising text



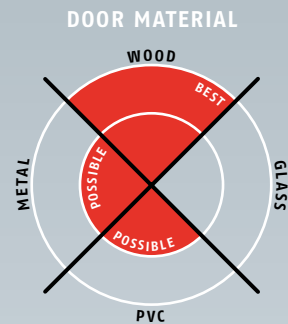
Planet KT → RD (smoke-shielding) ≤ 48 dB
Automatic door drop-down seal **Planet KT → RD ≤ 48 dB**, for sound absorption and smoke-shielding doors, release on hinge side with automatic compensation in case of an inclined floor, parallel drop-down, seal height up to $\downarrow 18$ mm, flush or deeper to put in groove with lip protection. Silicone lip, lateral fastening. Aluminum profile → **13 x 25 mm**.

Advertising text



Planet KT → FH+RD (fire-retardant + smoke-shielding) ≤ 48 dB
Automatic door drop-down seal **Planet KT → FH+RD ≤ 48 dB**, for sound protection-, smoke-shielding and fire-retardant doors, release on hinge side with automatic compensation in case of an inclined floor, parallel drop-down, seal height up to $\downarrow 18$ mm, flush or deeper to put in groove with lip protection. Lateral fastening, self-extinguishing silicone lip. Aluminum profile → **13 x 25 mm**.

Planet SL (Sliding door) → 21,8 x 30 mm | ↓ 18 mm | ≤ 44 dB



Main features

- Seal height up to ↓ 18 mm
- Acoustic insulation up to ≤ 44 dB in case of an optimal sealing
- Compact space-saving solution with integrated floor guiding groove
- Adjustable floor guide included
- Soundless release on lock side, silent seal
- Due to parallel drop-down no trailing on the floor
- Automatic compensation at inclined floors
- For wavy, buckled, hollow, bevelled and uneven floor
- Soft silicone bevel lip seal
- High-grade silicone lip, simple lift height adjustment
- Can be shortened up to the next shorter length on stock
- No extra need to cut off silicone at both ends
- 7 years warranty

Versions

- Planet SL → RD ≤ 44 dB, smoke-shielding
- Planet SL → FH+RD ≤ 44 dB, fire-retardant + smoke-shielding
- DIN L or DIN R
- Special versions on request

Door types with Planet SL

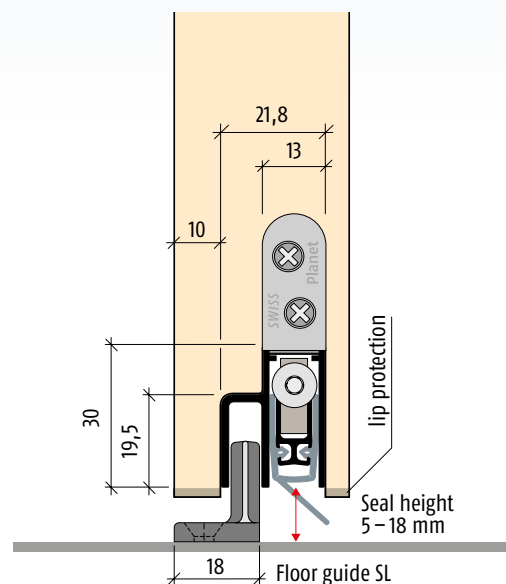


More functions



Technical specifications

Profile material	Aluminum, → 21,8 x 30 mm
Groove size	□ width 21,8 mm with depth 30,5 up to 35 mm
Seal profile	high-grade silicone or high-grade self-extinguishing silicone
Seal height	↓ 5 – 18 mm
Sound absorption value	up to ≤ 44 dB at 7 mm space to the floor
Lift height adjustment	on the release knob with an Allen key 3 mm
Lengths in stock	585, 710, 835, 960, 1085, 1210, 1335, 1460 mm
Special lengths	on request up to 6000 mm for wing- and sliding doors
Release	unilaterally on hinge side
Can be shortened	up to the maximum of 125 mm
Fastening	laterally with stainless steel angle brackets and screws, incl. floor guide
Frame protector plate	Stainless, hammer fixed, 20 x 20 mm
Test approvals	on request





Planet SL (lock side), with fastening brackets and floor guide



Planet SL (hinge side), with fastening brackets and floor guide, release side



Option: Planet SL with round lip



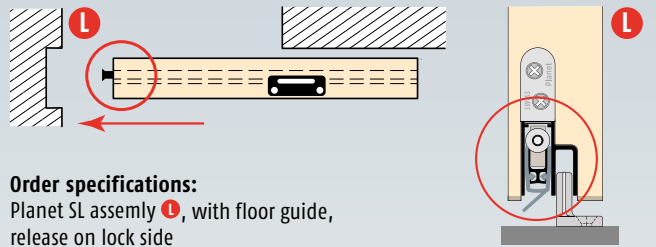
Planet assembly set HS for Planet SL



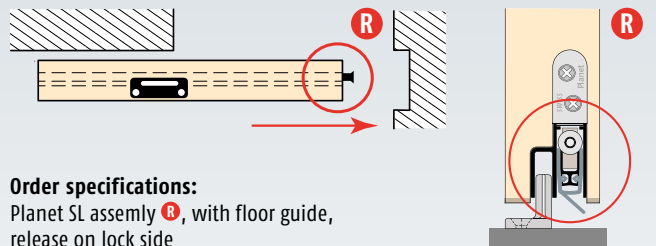
Planet floor guide SL



Option: Inverse release (release by pulling incl. trigger plate)



Order specifications:
Planet SL assembly **L**, with floor guide,
release on lock side



Order specifications:
Planet SL assembly **R**, with floor guide,
release on lock side

Order specifications

Planet SL → RD ≤ 44 dB including floor guide, Assembly set and Frame protector plate type 1 (stainless)	Prod. code 73xxx*
Planet SL → FH+RD ≤ 44 dB including floor guide, Assembly set and Frame protector plate type 1 (stainless)	Prod. code 74xxx*
DIN L DIN R → refer to illustration above	

* xxx = refer to price list for profile length

Accessories | Options

Planet floor guide SL	Prod. code 900217
Planet assembly set HS for Planet SL type 1 stainless / stainless	Prod. code 900180
Planet frame protector plate type 1 (stainless); possible type 2/3/4/5 → refer to chapter Accessories Options	Prod. code 900014
Inverse release (release by pulling)	Prod. code 900909
Cut the Planet to fix dimension	Prod. code 900200

Advertising text



Planet SL → RD (smoke-shielding) ≤ 44 dB

Automatic door drop-down seal Planet SL → RD ≤ 44 dB, for sound absorption and smoke-shielding sliding doors, release on lock side, seal height up to $\downarrow 18$ mm, flush or deeper to put in groove with lip protection. Silicone lip, lateral fastening incl. floor guide. Aluminum profile → 21,8 x 30 mm.

Advertising text



Planet SL → FH+RD (fire-retardant + smoke-shielding) ≤ 44 dB

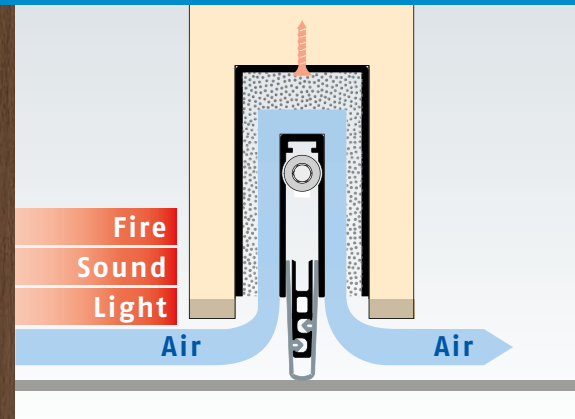
Automatic door drop-down seal Planet SL → FH+RD ≤ 44 dB, for sound protection-, smoke-shielding- and fire-retardant sliding doors, release on lock side, seal height up to $\downarrow 18$ mm, flush or deeper to put in groove with lip protection. Self-extinguishing silicone lip, lateral fastening incl. floor guide. Aluminum profile → 21,8 x 30 mm.

Planet MinE: for low energy houses and passive buildings with ventilation systems

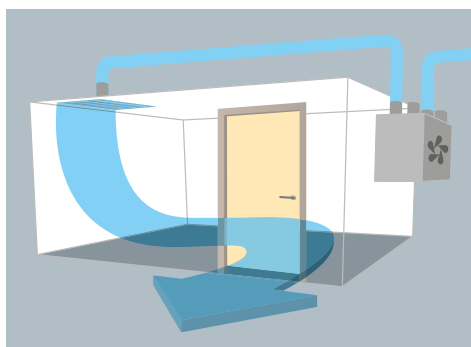
NEW

Working principle of Planet MinE-F

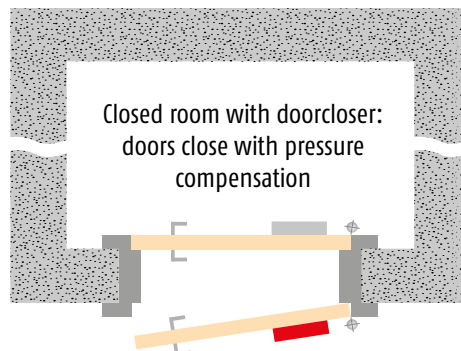
Solutions for flush and rebated doors!



Application field:



air circulation in low energy and passive buildings



Closed room or airlock doors



rooms with air compensation, toilet and wet rooms

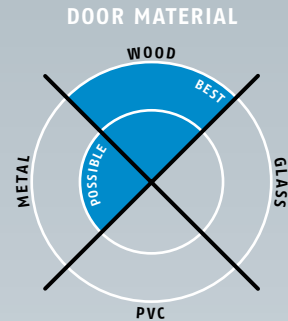
Planet drop-down seals
→ **MinE** for air circulation

3

Planet MinE-F / S	68-69
Planet MinE-F / V	70-71
Planet MinE-S	72-73
Planet MinE-V	74-75

Planet MinE-F / S (F= rebated doors / S= soundproof)

→ 8 x 30 mm / 25 x 43 mm | ↓ 20 mm | ≤ 27 dB



Main features

- Especially for passive building and low energy houses
- Suitable for rebated doors
- Closed rooms with Ventilation systems / toilet / bathroom
- Air circulation / air equalization
- Seal height up to ↓ 20 mm
- Sound absorption on seam ≤ 27 dB at an air-gap of 7 mm
- Increased sound absorption at simultaneous air passage
- Air passage 200 m³/h
- Reading 30 m³/h at a pressure difference of 3,9 Pa (door width 1050 mm)
- High-grade silicone lip, simple lift height adjustment
- Compensation of 15 mm in case of sloping floor at door width of 1000 mm
- Automatic compensation at inclined floors
- No extra need to cut off silicone at both ends
- 7 years warranty

Versions

- Planet MinE-F / S ≤ 27 dB
- Planet MinE-F / S → FH ≤ 27 dB, fire-retardant
- Airlock doors
- Special versions on request

Door types with MinE-F / S



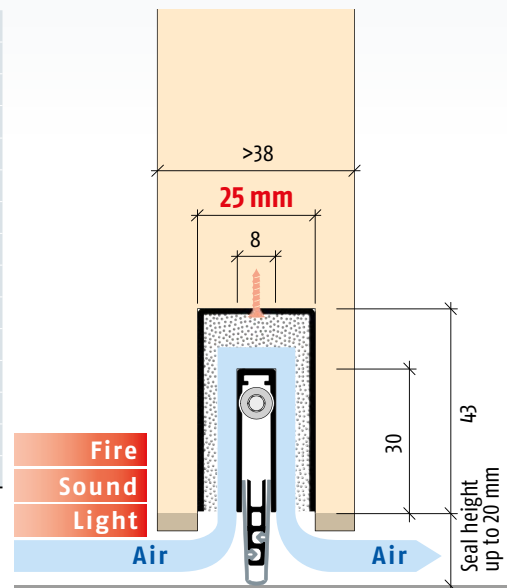
Double leaf doors → please use Planet MinE-S.

More functions



Technical specifications

Profile material	Aluminum, → 8 x 30 mm
Channel material	Aluminum, → 25 x 43 mm
Groove size	□ width 25,1 mm with depth 43,5 mm / □ width 8,1 mm with depth 30,5 mm
Seal profile	high-grade silicone or high-grade self-extinguishing silicone
Seal height	up to ↓ 20 mm
Sound absorption value	up to ≤ 27 dB at 7 mm space to the floor
Air passage	30 m ³ /h at an aeration length of 1050 mm and a pressure difference of 3,9 Pa
Lift height adjustment	on the release knob with an Allen key 3 mm
Lengths in stock	460, 585, 710, 835, 960, 1085, 1210, 1335, 1460 mm
Special lengths	on request up to 2000 mm, sliding doors up to 1600 mm
Release	unilaterally on hinge side
Can be shortened	up to the maximum of 125 mm
Fastening	on the side with stainless steel angle brackets and screws
Frame protector plate	Stainless, hammer fixed, 20 x 20 mm
Test approvals	on request





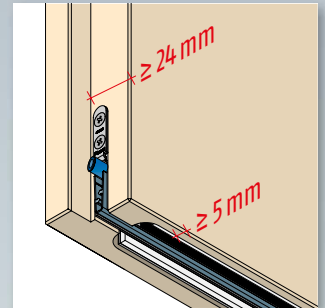
Planet MinE-F/S-drop-down seal



Planet MinE-F/S with fastening brackets, channel and insulation



Planet assembly set MinE-F



Planet MinE-F/S, installed in rebated door



Option: Planet MinE-F/S with bevel lip for uneven floors

Order specifications

Planet MinE-F/S ≤ 27 dB incl. assembly set MinE-F	Prod. code 40xxx-F*
Planet MinE-F/S \rightarrow FH ≤ 27 dB incl. assembly set MinE-F	Prod. code 41xxx-F*

* xxx = refer to price list for profile length

Accessories | Options

Planet MinE-F assembly set incl. 2 fastening brackets (stainless), 8 screws and frame protector plate, type 1 (stainless)	Prod. code 900828
Planet frame protector plate type 1 (stainless); possible type 2/3/4/5 \rightarrow refer to chapter Accessories Options	Prod. code 900014
Cut the Planet to fix dimension	Prod. code 900225
Planet sliding door	refer to price list, options / supplements

Advertising text



Planet MinE-F/S ≤ 27 dB

Automatic door drop-down seal **Planet MinE-F/S** ≤ 27 dB for rebated sound absorption doors with an air passage, release on hinge side and automatic compensation at inclined floor, parallel drop-down, seal height up to $\downarrow 20$ mm, lip from high quality silicone, lateral fastening, profiles from aluminum $\rightarrow 8 \times 30$ mm / 25×43 mm, MinE-F channel and floor seal equipped with sound absorption materials.

Advertising text

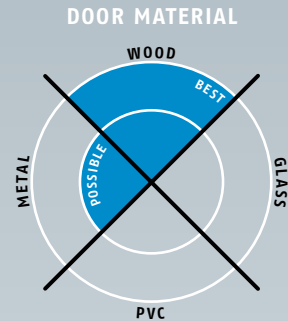


Planet MinE-F/S \rightarrow FH (fire-retardant) ≤ 27 dB

Automatic door drop-down seal **Planet MinE-F/S** \rightarrow FH ≤ 27 dB for rebated fire-retardant sound absorption doors with an air passage, release on hinge side with automatic compensation at inclined floor, equipped with intumescent strips. Parallel drop-down, seal height up to $\downarrow 20$ mm, self-extinguishing silicone lip, lateral fastening, profiles from aluminum $\rightarrow 8 \times 30$ mm / 25×43 mm, MinE-F channel and floor seal equipped with sound absorption materials.

Planet MinE-F / V (F = rebated doors / V = ventilation)

→ 8 x 30 mm / 25 x 43 mm | ↓ 20 mm | ≤ 23 dB



Main features

- Especially for passive building and low energy houses
- Suitable for rebated doors
- Closed rooms with Ventilation systems / toilet / bathroom
- Air circulation / air equalization
- Seal height up to ↓ 20 mm
- Sound absorption on seam ≤ 23 dB at an air-gap of 7 mm
- Increased air passage at simultaneous sound absorption
- Air passage 250 m³/h
- Reading 40 m³/h at a pressure difference of 3,2 Pa (door width 1050 mm)
- High-grade silicone lip, simple lift height adjustment
- Compensation of 15 mm in case of sloping floor at door width of 1000 mm
- Automatic compensation at inclined floors
- No extra need to cut off silicone at both ends
- 7 years warranty

Versions

- Planet MinE-F / V ≤ 23 dB
- Planet MinE-F / V → FH ≤ 23 dB, fire-retardant
- Airlock doors
- Special versions on request

Door types with Planet MinE-F / V



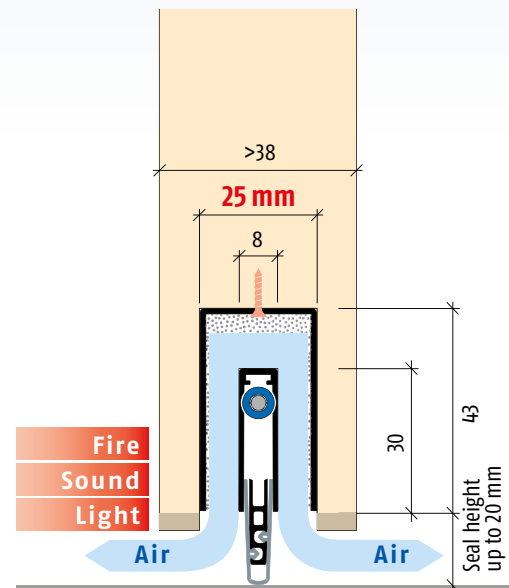
Double leaf doors → please use Planet MinE-V.

More functions



Technical specifications

Profile material	Aluminium, → 8 x 30 mm
Channel material	Aluminium, → 25 x 43 mm
Groove size	□ width 25,1 mm with depth 43,5 mm / □ width 8,1 mm with depth 30,5 mm
Seal profile	high-grade silicone or high-grade self-extinguishing silicone
Seal height	up to ↓ 20 mm
Sound absorption value	up to ≤ 23 dB at 7 mm space to the floor
Air passage	40 m ³ /h at an aeration length of 1050 mm and a pressure difference of 3,2 Pa
Lift height adjustment	on the release knob with an Allen key 3 mm
Lengths in stock	460, 585, 710, 835, 960, 1085, 1210, 1335, 1460 mm
Special lengths	on request up to 2000 mm, sliding doors up to 1600 mm
Release	unilaterally on hinge side
Can be shortened	up to the maximum of 125 mm
Fastening	on the side with stainless steel angle brackets and screws
Frame protector plate	Stainless, hammer fixed, 20 x 20 mm
Test approvals	on request





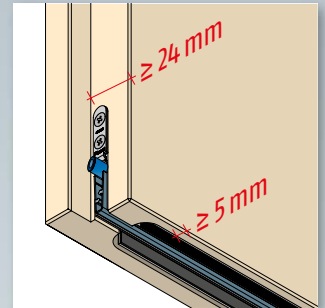
Planet MinE-F/V-drop-down seal



Planet MinE-F/V with fastening brackets, channel and insulation



Planet assembly set MinE-F



Planet MinE-F/V, installed in rebated door



Option: Planet MinE-F/V with bevel lip for **uneven floors**

Order specifications

Planet MinE-F / V ≤ 23 dB incl. assembly set MinE-F	Prod. code 44xxx-F*
Planet MinE-F / V \rightarrow FH ≤ 23 dB incl. assembly set MinE-F	Prod. code 47xxx-F*

* xxx = refer to price list for profile length

Accessories | Options

Planet MinE-F assembly set incl. 2 fastening brackets (stainless), 8 screws and frame protector plate, type 1 (stainless)	Prod. code 900828
Planet frame protector plate type 1 (stainless); possible type 2 / 3 / 4 / 5 \rightarrow refer to chapter Accessories Options	Prod. code 900014
Cut the Planet to fix dimension	Prod. code 900225
Planet sliding door	refer to price list, options / supplements

Advertising text



Planet MinE-F / V ≤ 23 dB

Automatic door drop-down seal **Planet MinE-F / V** ≤ 23 dB for rebated sound absorption doors with an increased air passage, release on hinge side and automatic compensation at inclined floor, parallel drop-down, seal height up to $\downarrow 20$ mm, lip from high quality silicone, lateral fastening, profiles from aluminum $\rightarrow 8 \times 30$ mm / 25×43 mm, MinE-F channel and floor seal equipped with sound absorption materials.

Advertising text

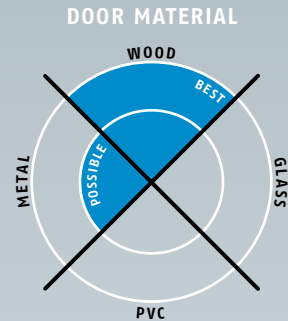


Planet MinE-F / V \rightarrow FH (fire-retardant) ≤ 23 dB

Automatic door drop-down seal **Planet MinE-F / V** \rightarrow FH ≤ 23 dB for rebated fire-retardant sound absorption doors with an increased air passage, release on hinge side with automatic compensation at inclined floor, equipped with intumescent strips. Parallel drop-down, seal height up to $\downarrow 20$ mm, self-extinguishing silicone lip, lateral fastening, profiles from aluminum $\rightarrow 8 \times 30$ mm / 25×43 mm, MinE-F channel and floor seal equipped with sound absorption materials.

Planet MinE-S (s = Soundproof)

→ 30 x 40 mm / 13 x 30 mm | ↓ 27 mm | ≤ 27 dB



Main features

- Especially for passive building and low energy houses
- Closed rooms with Ventilation systems / toilet / bathroom
- Air circulation / air equalization
- Seal height up to ↓ 27 mm
- Sound absorption on seam ≤ 27 dB at an air-gap of 7 mm
- Sound absorption at simultaneous air passage
- Air passage 200 m³/h
- Reading 30 m³/h at a pressure difference of 3,9 Pa (door width 1050 mm)
- Soft silicone bevel lip seal
- Compensation of 15 mm in case of sloping floor at door width of 1000 mm
- Automatic compensation at inclined / uneven floors
- No extra need to cut off silicone at both ends
- 7 years warranty

Versions

- Planet MinE-S ≤ 27 dB
- Planet MinE-S → FH ≤ 27 dB, fire-retardant
- Airlock doors
- Special versions on request

Door types with Planet MinE-S



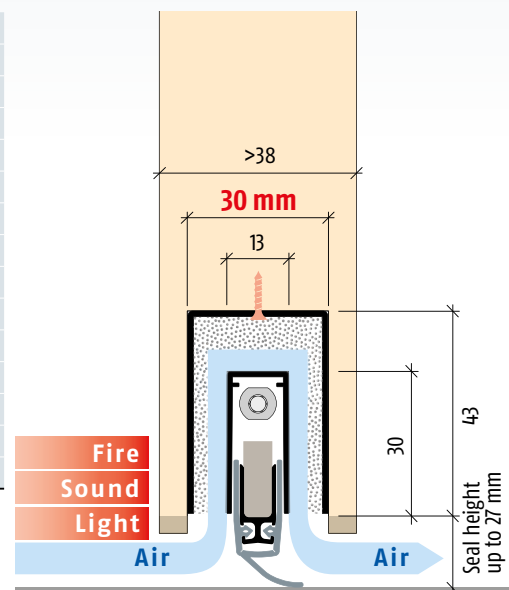
Double leaf doors → refer to chapter Accessories | Flush bolt, drilling

More functions



Technical specifications

Profile material	Aluminum, → 13 x 30 mm
Channel material	Aluminum, → 30 x 43 mm
Groove size	□ width 30,1 mm with depth 43,5 mm / □ width 13,1 mm with depth 30,5 mm
Seal profile	high-grade silicone or high-grade self-extinguishing silicone
Seal height	up to ↓ 27 mm
Sound absorption value	up to ≤ 27 dB at 7 mm space to the floor
Air passage	30 m ³ /h at an aeration length of 1050 mm and a pressure difference of 3,9 Pa
Lift height adjustment	on the release knob with an Allen key 3 mm
Lengths in stock	335, 460, 585, 710, 835, 960, 1085, 1210, 1335, 1460 mm
Special lengths	on request up to 2000 mm, sliding doors up to 1600 mm
Release	unilaterally on hinge side
Can be shortened	up to the maximum of 125 mm (335 mm only 115 mm)
Fastening	on the side with stainless steel angle brackets and screws
Frame protector plate	Stainless, hammer fixed, 20 x 20 mm
Test approvals	on request





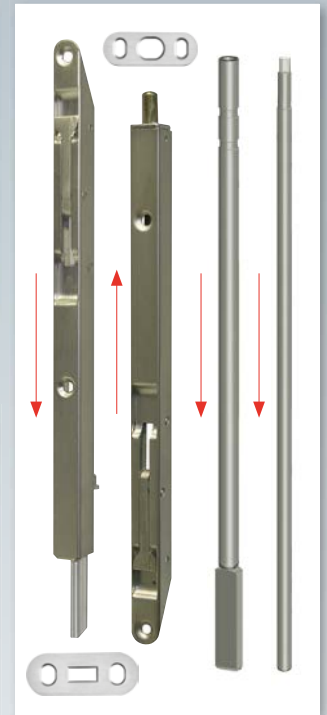
Profile Planet MinE-S



Planet MinE-S with fastening brackets, channel and insulation



Planet assembly set MinE



Accessories: Planet KR flush bolt, incl. strike plate → refer to chapter Accessories | Flush bolt
Driving bar rods flattened
→ see pages 145 – 155



Option: Planet MinE-S with Planet drill hole $\varnothing 5 \times 13$ mm for flush bolt, driving bar rods → refer to chapter Accessories | driving bar rods



Option: Planet MinE-S with Planet drill hole $\varnothing 5 \times 13$ mm and driving bar rod → refer to chapter Accessories | driving bar rods



Accessories: Planet BM-R $\varnothing 15 / 40$ mm floor recess plate

Order specifications

Planet MinE-S $\leftarrow 27$ dB incl. assembly set MinE	Prod. code 40xxx*
Planet MinE-S \rightarrow FH $\leftarrow 27$ dB incl. assembly set MinE	Prod. code 41xxx*

* xxx = refer to price list for profile length

x-x = Several Planet Floor recess plates available in different adjustment range refer to chapter Accessories | BM

Accessories | Options

Planet MinE assembly set incl. 2 fastening brackets (stainless), 8 screws and frame protector plate, type 1 (stainless)	Prod. code 900462
Planet frame protector plate type 1 (stainless); possible type 2/3/4/5 → refer to chapter Accessories Options	Prod. code 900014
Cut the Planet to fix dimension	Prod. code 900225
Planet drill hole $\varnothing 5 \times 13$ mm including plastic guide, for Planet KR and driving bar rods flattened → refer to chapter Accessories Flush bolt, drilling	Prod. code 900190
Planet BM floor recess plates → refer to chapter Accessories BM	Prod. code 90034x-x Prod. code 90027x-x
Planet sliding door	refer to price list, options / supplements

Advertising text

Planet MinE-S $\leftarrow 27$ dB
Automatic door drop-down seal Planet MinE-S $\leftarrow 27$ dB for sound absorption doors with an air passage, especially for uneven floors, release on hinge side and automatic compensation at inclined floor, parallel drop-down, seal height up to $\downarrow 27$ mm, lip from high quality silicone, lateral fastening, profiles from aluminum → **13 x 30 mm / 30 x 43 mm**, MinE channel and floor seal equipped with sound absorption materials.



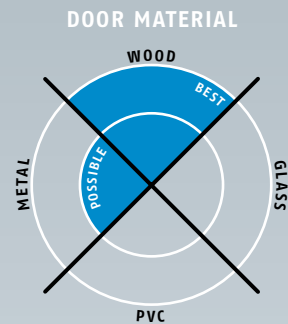
Advertising text



Planet MinE-S \rightarrow FH (fire-retardant) $\leftarrow 27$ dB
Automatic door drop-down seal Planet MinE-S \rightarrow FH $\leftarrow 27$ dB for fire-retardant sound absorption doors with an air passage, especially for uneven floors, release on hinge side with automatic compensation at inclined floor, equipped with intumescent strips. Parallel drop-down, seal height up to $\downarrow 27$ mm, self-extinguishing silicone lip, lateral fastening, profiles from aluminum → **13 x 30 mm / 30 x 43 mm**, MinE channel and floor seal equipped with sound absorption materials.

Planet MinE-V (v = ventilation)

→ 30 x 40 mm / 13 x 30 mm | ↓ 27 mm | ≤ 23 dB



Main features

- Especially for passive building and low energy houses
- Closed rooms with Ventilation systems / toilet / bathroom
- Air circulation / air equalization
- Seal height up to ↓ 27 mm
- Sound absorption on seam ≤ 23 dB at an air-gap of 7 mm
- Sound absorption at simultaneous air passage
- Air passage 250 m³/h
- Reading 40 m³/h at a pressure difference of 3,2 Pa (door width 1050 mm)
- Soft silicone bevel lip seal
- Compensation of 15 mm in case of sloping floor at door width of 1000 mm
- Automatic compensation at inclined / uneven floors
- No extra need to cut off silicone at both ends
- 7 years warranty

Versions

- Planet MinE-V ≤ 23 dB
- Planet MinE-V → FH ≤ 23 dB, fire-retardant
- Airlock doors
- Special versions on request

Door types with Planet MinE-S



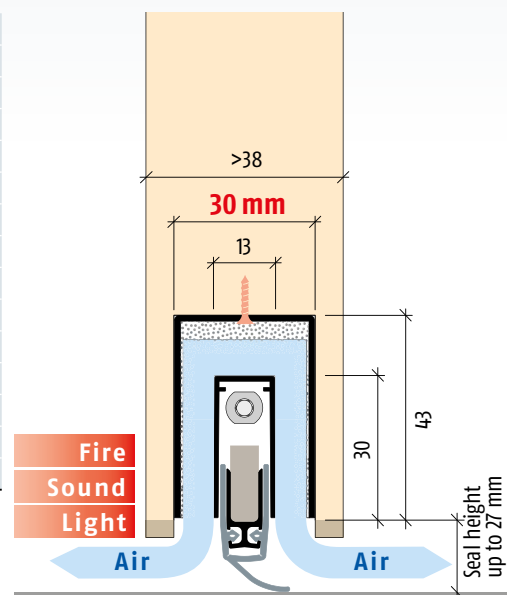
Double leaf doors → refer to chapter Accessories | Flush bolt, drilling

More functions



Technical specifications

Profile material	Aluminum, → 13 x 30 mm
Channel material	Aluminum, → 30 x 43 mm
Groove size	□ width 30,1 mm with depth 43,5 mm / □ width 13,1 mm with depth 30,5 mm
Seal profile	high-grade silicone or high-grade self-extinguishing silicone
Seal height	up to ↓ 27 mm
Sound absorption value	up to ≤ 23 dB at 7 mm space to the floor
Air passage	40 m ³ /h at an aeration length of 1050 mm and a pressure difference of 3,2 Pa
Lift height adjustment	on the release knob with an Allen key 3 mm
Lengths in stock	335, 460, 585, 710, 835, 960, 1085, 1210, 1335, 1460 mm
Special lengths	on request up to 2000 mm, sliding doors up to 1600 mm
Release	unilaterally on hinge side
Can be shortened	up to the maximum of 125 mm (335 mm only 115 mm)
Fastening	on the side with stainless steel angle brackets and screws
Frame protector plate	Stainless, hammer fixed, 20 x 20 mm
Test approvals	on request





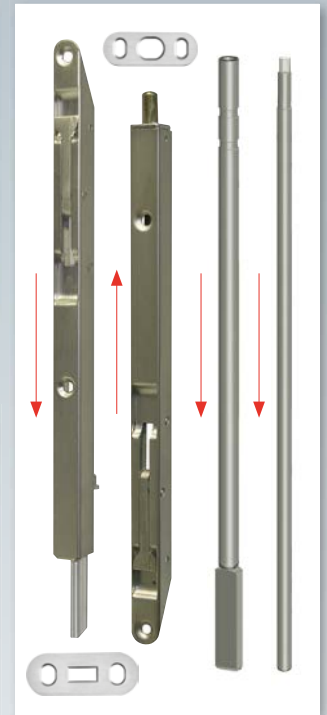
Profile Planet MinE-V



Planet MinE-S with fastening brackets, channel and insulation



Planet assembly set MinE



Accessories: Planet KR flush bolt, incl. strike plate → refer to chapter Accessories | Flush bolt
Driving bar rods flattened
→ see pages 145 – 155



Option: Planet MinE-S with Planet drill hole $\varnothing 5 \times 13$ mm for flush bolt, driving bar rods → refer to chapter Accessories | driving bar rods



Option: Planet MinE-V with Planet drill hole $\varnothing 5 \times 13$ mm and driving bar rod → refer to chapter Accessories | driving bar rods



Accessories: Planet BM-R $\varnothing 15 / 40$ mm floor recess plate

Order specifications

Planet MinE-V ≤ 23 dB incl. assembly set MinE	Prod. code 44xxx*
Planet MinE-V → FH ≤ 23 dB incl. assembly set MinE	Prod. code 47xxx*
DIN R	
DIN L	

* xxx = refer to price list for profile length
x-x = Several Planet Floor recess plates available in different adjustment range refer to chapter Accessories | BM

Accessories | Options

Planet MinE assembly set incl. 2 fastening brackets (stainless), 8 screws and frame protector plate, type 1 (stainless)	Prod. code 900462
Planet frame protector plate type 1 (stainless); possible type 2/3/4/5 → refer to chapter Accessories Options	Prod. code 900014
Cut the Planet to fix dimension	Prod. code 900225
Planet drill hole $\varnothing 5 \times 13$ mm including plastic guide, for Planet KR and driving bar rods flattened → refer to chapter Accessories Flush bolt, drilling	Prod. code 900190
Planet BM floor recess plates → refer to chapter Accessories BM	Prod. code 90034x-x Prod. code 90027x-x
Planet sliding door	refer to price list, options / supplements

Advertising text

Planet MinE-V ≤ 23 dB
Automatic door drop-down seal Planet MinE-V ≤ 23 dB for sound absorption doors with an increased air passage, especially for uneven floors, release on hinge side and automatic compensation at inclined floor, parallel drop-down, seal height up to $\downarrow 27$ mm, lip from high quality silicone, lateral fastening, profiles from aluminum → **13 x 30 mm / 30 x 43 mm**, MinE channel and floor seal equipped with sound absorption materials.



Advertising text



Planet MinE-V → FH (fire-retardant) ≤ 23 dB
Automatic door drop-down seal Planet MinE-V → FH ≤ 23 dB for fire-retardant sound absorption doors with an increased air passage, especially for uneven floors, release on hinge side with automatic compensation at inclined floor, equipped with intumescent strips. Parallel drop-down, seal height up to $\downarrow 27$ mm, self-extinguishing silicone lip, lateral fastening, profiles from aluminum → **13 x 30 mm / 30 x 43 mm**, MinE channel and floor seal equipped with sound absorption materials.

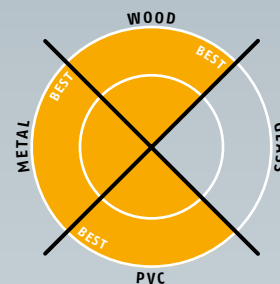
Planet drop-down seals
→ keeps out **driving rain**

3

Planet **X3** 78-79

Planet X3 → 22 x 30 mm | ↓ 5 - 12 mm | ↔ 2 - 6 mm | 6A / 9A | ≤ 52 dB

DOOR MATERIAL



Main features

- Keeps out driving rain (6A / 9A, if certified), for entrance doors and balcony doors
- **No drainage channel** required
- 3 simultaneous sealing movements: downwards, to the left and to the right
- Seal height ↓ 5 - 12 mm, ↔ 2 - 6 mm
- Acoustic insulation up to ≤ 52 dB in case of an optimal sealing
- All 3 sealing movements (seal height / left / right) are separately adjustable
- Release on both sides
- Automatic compensation at inclined floors
- High-grade silicone
- Can be shortened up to the next shorter length on stock with Planet set for shortening X3
- 2 years warranty

Versions / options

- Planet X3 → RD ≤ 52 dB, smoke-shielding, trimmable
- Planet X3 → RD ≤ 52 dB, smoke-shielding, made to measure, ready for installation
- Sonderausführungen auf Anfrage

Required accessories

- Assembly set X3
- Corner plate set X3

Door types with Planet X3



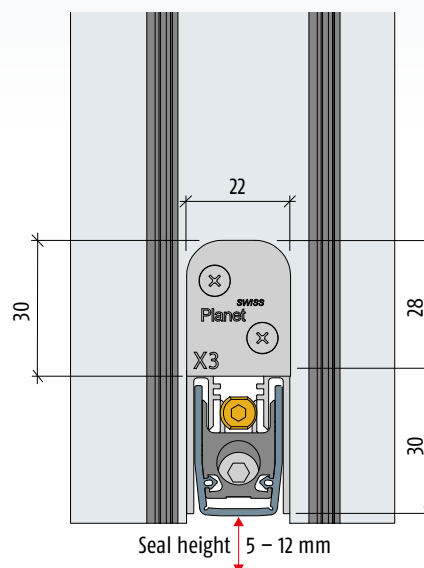
Single doors – hinged

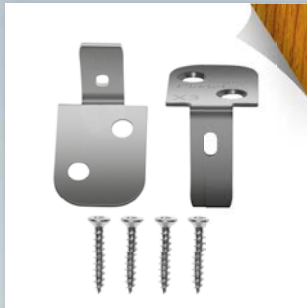
More functions



Technical specifications

Profile material	aluminium, → 22 x 30 mm
Groove size	□ 22,5 mm wide and 30 to 32 mm deep
Seal profile	high-grade silicone
Seal height	↓ 5 - 12 mm, ↔ 2 - 6 mm
Driving rain	6A / 9A, 250 Pa, classification to DIN EN 12208 test method to DIN EN 1027
Sound absorption value	up to ≤ 52 dB at 7 mm space to the floor
Lift height adjustment	on the release knob with a 3 mm Allen key
Seitenhubregulierung	at the face using 4 mm Allen key
Lengths in stock	960, 1085, 1210, 1335, 1460 mm
Special lengths	on request
Release	on both sides (lock and hinge sides)
Can be shortened	max. 125 mm
Fastening	laterally, with stainless steel fastening angles and screws
Test approvals	on request

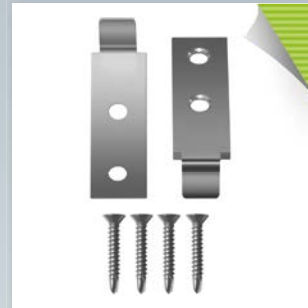




Planet assembly set X3 for **wooden doors** (standard)



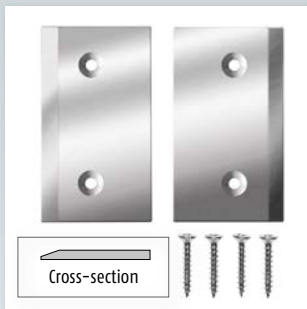
Planet assembly set X3 for **metal doors** (option)



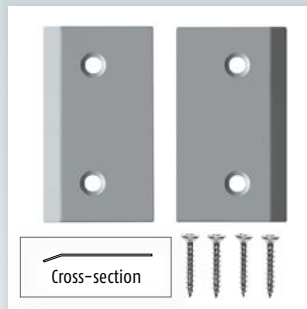
Planet assembly set X3 for **PVC doors** (on request)



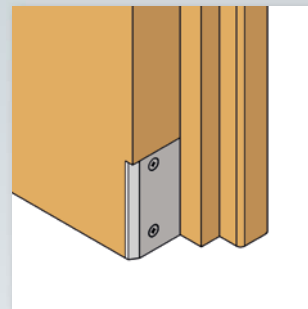
Planet set for shortening X3 (standard)



Planet corner plate set X3, aluminium, with **inclined contact surface** (option)



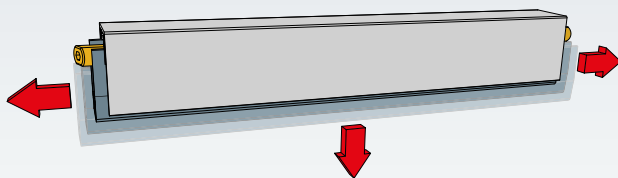
Planet corner plate set X3, sheet met., with **inclined contact surface** (option)



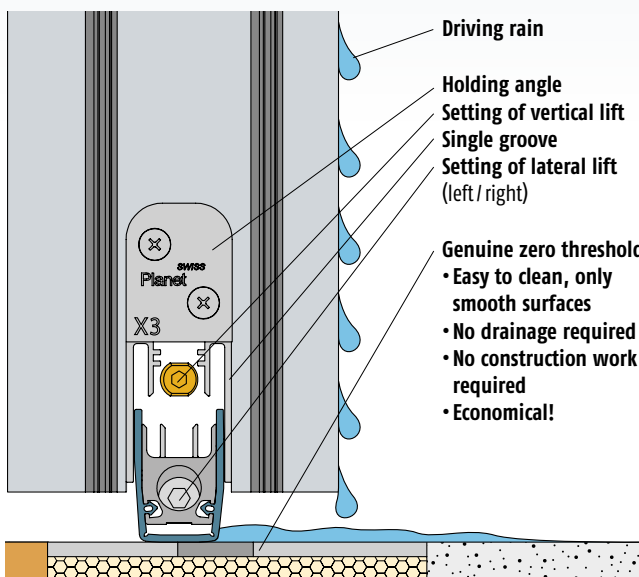
Installing example **corner plate set X3**, aluminium, installed on frame



Planet cut assistance X3 (option) for simple cutting of the silicone lip



3 simultaneous sealing movements:
to the left, downwards and to the right



- Driving rain
- Holding angle
- Setting of vertical lift
- Single groove
- Setting of lateral lift (left / right)
- Genuine zero threshold
 - Easy to clean, only smooth surfaces
 - No drainage required
 - No construction work required
 - Economical!

Order specifications

Planet X3 → RD ≤ 52 dB trimmable incl. Planet set for shortening X3 and assembly set X3	Prod. code 200xxx*
Planet X3 → RD ≤ 52 dB made to measure, ready for installation incl. Planet assembly set X3	Prod. code 203xxx*

* xxx = refer to price list for profile length

Accessories | Options

Planet assembly set X3 for wooden doors incl. 2 fastening brackets (stainless), 4 screws	Prod. code 900096
Planet assembly set X3 for metal doors incl. 2 fastening brackets (stainless), 4 screws	Prod. code 900097
Planet assembly set X3 for PVC doors on request	Prod. code 900928
Planet Eckplattenset X3, aluminium	Prod. code 900136
Planet Eckplattenset X3, sheet metal	Prod. code 900137
Planet set for shortening X3	Prod. code 900110
Planet cut assistance X3	Prod. code 900930

Advertising text

Planet X3 → RD (smoke-shielding) ≤ 52 dB
Automatic door drop-down seal **Planet X3 → RD** ≤ 52 dB, for driving rain (6A/9A, if certified) for sound protection-, smoke-shielding doors, release on both sides with automatic compensation in case of an inclined floor, sealing movements are adjustable downwards, to the left and to the right. Seal height up to ↓ 5 – 12 mm, flush or deeper to put in groove with silicon lip protection. Lateral fastening. Aluminum profile → 22 x 30 mm.



Planet^{swiss}® news

Planet MF-plus / R0-plus:
for best sound protection up to ≤ 54 dB

NEW



MF-plus 54 dB

R0-plus 54 dB



Planet MF-plus → see page 82–83
Planet R0-plus → see page 84–85

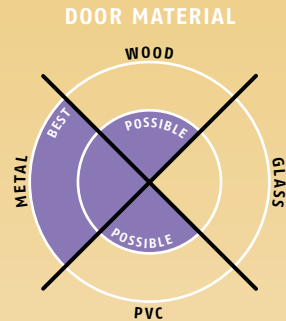
54 dB

Planet drop-down seals
→ **20 mm** profiles

3

Planet MF-plus	82-83
Planet RO-plus	84-85
Planet MF	86-87
Planet RO	88-89
Planet RS	90-91
Planet PU	92-93

Planet MF-plus → 19,8 x 20 mm | ↓ 16 mm | ≤ 54 dB



Main features

- Seal height up to ↓ 16 mm
- Acoustic insulation up to ≤ 54 dB in case of an optimal sealing
- Unilateral and soundless release, silent seal
- Due to parallel drop-down no trailing on the floor
- Automatic compensation at inclined floors
- For double leaf folding doors with flush bolt or driving bar
- High-grade silicone lip, simple lift height adjustment
- Can be shortened up to the next shorter length on stock
- No extra need to cut off silicone at both ends
- 7 years warranty

Versions

- Planet MF-plus → FH+RD ≤ 54 dB, fire-retardant + smoke-shielding
- Option Double-shortening → refer to chapter Accessories | TR125
- Special versions on request

Door types with Planet MF-plus



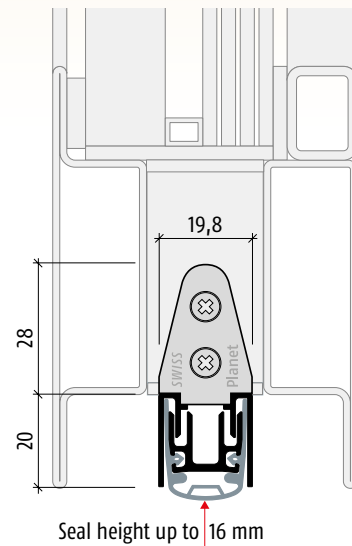
Double leaf doors → refer to chapter Accessories | Flush bolt, drilling

More functions



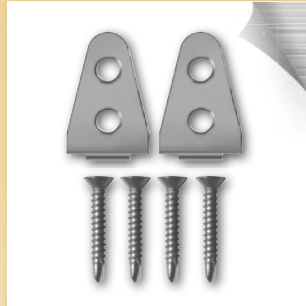
Technical specifications

Profile material	Aluminum, → 19,8 x 20 mm
Groove size	□ width 20 mm with depth 20,5 up to 25 mm
Seal profile	high-grade silicone or high-grade self-extinguishing silicone
Seal height	up to ↓ 16 mm
Sound absorption value	up to ≤ 54 dB at 7 mm space to the floor; up to ≤ 50 dB at 14 mm space to the floor
Lift height adjustment	on the release knob with an Allen key 3 mm
Lengths in stock	335, 460, 585, 710, 835, 960, 1085, 1210, 1335, 1460, 1585 mm
Special lengths	on request up to 6000 mm for wing- and sliding doors
Release	unilaterally on hinge side
Can be shortened	up to the maximum of 125 mm (335 mm only 115 mm)
Fastening	on the side with stainless steel angle brackets and self-drilling screws
Test approvals	on request

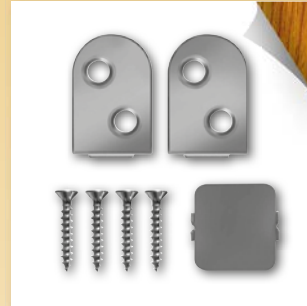




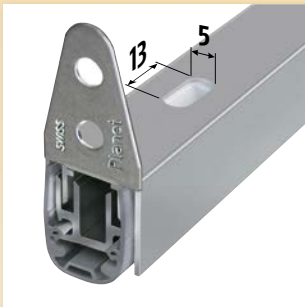
Planet MF-plus with fastening brackets for metal doors



Assembly set Planet MF for metal doors (standard)



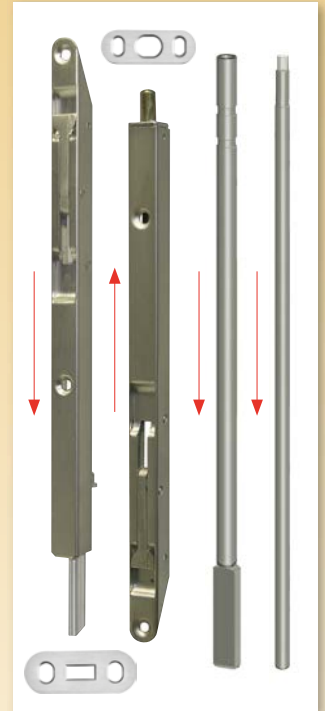
Assembly set Planet MF for wooden doors (possible)



Option: Planet MF-plus with Planet drill hole $\varnothing 5 \times 13$ mm for driving bar rods → refer to chapter Accessories | driving bar rods



Option: Planet MF-plus with Planet drill hole $\varnothing 10$ mm for flush bolt, driving bar rods → refer to chapter Accessories | driving bar rods



Accessories: Planet KR flush bolt, incl. strike plate → refer to chapter Accessories | Flush bolt
Driving bar rods flattened → see pages 145 – 155

Order specifications

Planet MF-plus-DD → FH+RD ≤ 54 dB incl. assembly set MF metal	Prod. code 51xxx-DD*
--	----------------------

* xxx = refer to price list for profile length

Accessories | Options

Assembly set MF metal incl. fastening brackets and self-drilling screws (standard accessory)	Prod. code 900261
Assembly set MF wood incl. fastening brackets, frame protector plate and screws for flake board (possible)	Prod. code 900262
Planet frame protector plate type 1 (stainless); possible type 2/3/4/5 → refer to chapter Accessories Options	Prod. code 900014
Cut the Planet to fix dimension	Prod. code 900200
Planet drill hole $\varnothing 5 \times 13$ mm incl. plastic guide	Prod. code 900190
Planet drill hole $\varnothing 10$ mm	Prod. code 900280
Planet BM floor recess plates → refer to chapter Accessories BM	Prod. code 90034x-x Prod. code 90027x-x

x-x = Several Planet Floor recess plates available in different adjustment range refer to chapter Accessories | BM

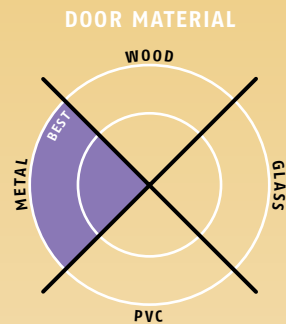
Advertising text



Planet MF-plus → FH+RD (fire-retardant + smoke-shielding) ≤ 54 dB

Automatic door drop-down seal **Planet MF-plus → FH+RD** ≤ 54 dB, for sound protection-, smoke-shielding and fire-retardant doors, release on hinge side with automatic compensation in case of an inclined floor, parallel drop-down, seal height up to $\downarrow 16$ mm. Flush or deeper to put in groove with lip protection. Self-extinguishing silicone lip, lateral fastening. Aluminum profile → **19,8 x 20 mm.**

Planet RO-plus → 19,8 / 36 x 20 mm | ↓ 16 mm | ≤ 54 dB



Main features

- Seal height up to ↓ 16 mm
- Acoustic insulation up to ≤ 54 dB in case of an optimal sealing (Proof for MF-plus)
- Unilateral and soundless release, silent seal
- Due to parallel drop-down no trailing on the floor
- Automatic compensation at inclined floors
- For double leaf folding doors with flush bolt or driving bar
- High-grade silicone lip, simple lift height adjustment
- Can be shortened up to the next shorter length on stock
- No extra need to cut off silicone at both ends
- 7 years warranty

Versions

- Planet RO-plus → FH+RD ≤ 54 dB, fire-retardant + smoke-shielding
- Option Double-shortening → refer to chapter Accessories | TR125
- Special versions on request

Door types with Planet RO-plus



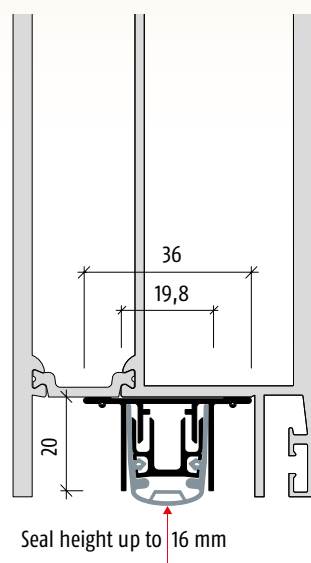
Double leaf doors → refer to chapter Accessories | Flush bolt, drilling

More functions



Technical specifications

Profile material	Aluminum, → 19,8 / 36 x 20 mm
Seal profile	high-grade silicone or high-grade self-extinguishing silicone
Seal height	up to ↓ 16 mm
Sound absorption value	up to ≤ 54 dB at 7 mm space to the floor; up to ≤ 50 dB at 14 mm space to the floor
Lift height adjustment	on the release knob with an Allen key 3 mm
Lengths in stock	335, 460, 585, 710, 835, 960, 1085, 1210, 1335, 1460, 1585 mm
Special lengths	on request up to 6000 mm for wing- and sliding doors
Release	unilaterally on hinge side
Can be shortened	up to the maximum of 125 mm (335 mm only 115 mm)
Fastening	from the bottom with screws available with the customer
Frame protector plate	Stainless, hammer fixed, 20 x 20 mm
Test approvals	on request



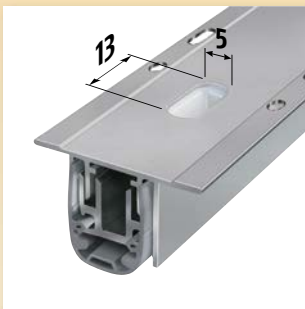
Versions | Options | Accessories



Profile Planet R0-plus



Planet R0-plus, release side

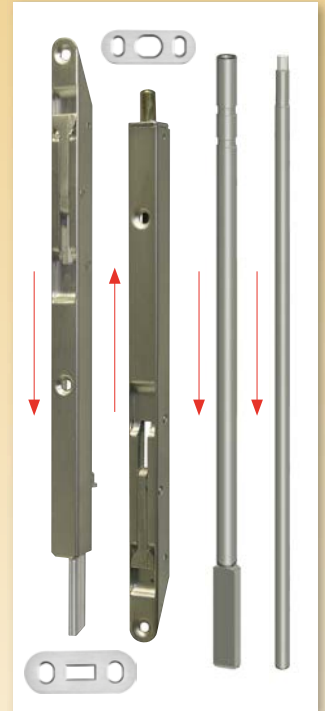


Option: Planet R0-plus with Planet drill hole $\varnothing 5 \times 13$ mm for flush bolt, driving bar rods → refer to chapter Accessories | driving bar rods



Option: Planet R0-DD with Planet drill hole $\varnothing 10$ mm for flush bolt, driving bar rods → refer to chapter Accessories | driving bar rods

Planet R0-plus



Accessories: Planet KR flush bolt, incl. strike plate → refer to chapter Accessories | Flush bolt
Driving bar rods flattened
 → see pages 145 – 155

Order specifications

Planet R0-plus-DD → FH+RD ≤ 54 dB	Prod. code 57xxx-DD*
--	----------------------

* xxx = refer to price list for profile length

Accessories | Options

Planet drill hole $\varnothing 5 \times 13$ mm including plastic guide, for Planet KR and driving bar rods flattened → refer to chapter Accessories Flush bolt, drilling	Prod. code 900190
Planet drill hole $\varnothing 10$ mm	Prod. code 900280
Planet BM floor recess plates → refer to chapter Accessories BM	Prod. code 90034x-x Prod. code 90027x-x
Cut the Planet to fix dimension	Prod. code 900200

x-x = Several Planet Floor recess plates available in different adjustment range refer to chapter Accessories | BM

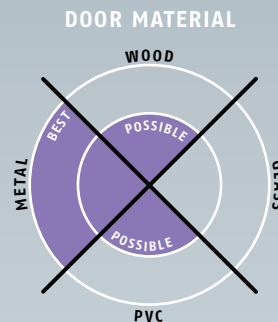
Advertising text



Planet R0-plus → FH+RD (fire-retardant + smoke-shielding) ≤ 54 dB

Automatic door drop-down seal Planet R0-plus → FH+RD ≤ 54 dB, for sound protection-, smoke-shielding and fire-retardant doors, release on hinge side with automatic compensation in case of an inclined floor, parallel drop-down, seal height up to $\downarrow 16$ mm. Self-extinguishing silicone lip, fastening on the bottom. Aluminum profile → **19,8 / 36 x 20 mm**.

Planet MF → 19,8 x 20 mm | ↓ 16 mm | ≤ 50 dB



Main features

- Seal height up to ↓ 16 mm
- Acoustic insulation up to ≤ 50 dB in case of an optimal sealing
- Unilateral and soundless release, silent seal
- Due to parallel drop-down no trailing on the floor
- Automatic compensation at inclined floors
- For double leaf folding doors with flush bolt or driving bar
- High-grade silicone lip, simple lift height adjustment
- Can be shortened up to the next shorter length on stock
- No extra need to cut off silicone at both ends
- 7 years warranty

Versions

- Planet MF → RD ≤ 50 dB, smoke-shielding
- Planet MF → FH+RD ≤ 50 dB, fire-retardant + smoke-shielding
- Possibility of silicone-free (TPE) execution
- Option Double-shortening → refer to chapter Accessories | TR125
- Special versions on request

Door types with Planet MF



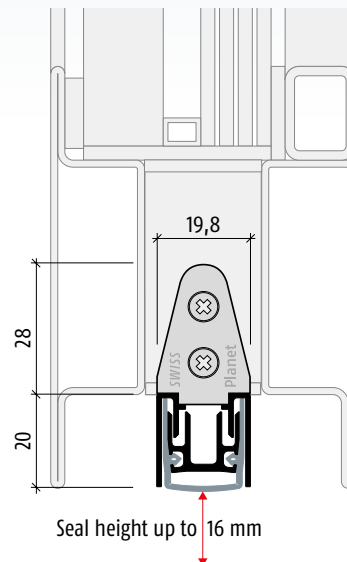
Double leaf doors → refer to chapter Accessories | Flush bolt, drilling

More functions



Technical specifications

Profile material	Aluminum, → 19,8 x 20 mm
Groove size	□ width 20 mm with depth 20,5 up to 25 mm
Seal profile	high-grade silicone or high-grade self-extinguishing silicone
Seal height	up to ↓ 16 mm
Sound absorption value	up to ≤ 50 dB at 7 mm space to the floor; up to ≤ 43 dB at 16 mm space to the floor
Lift height adjustment	on the release knob with an Allen key 3 mm
Lengths in stock	335, 460, 585, 710, 835, 960, 1085, 1210, 1335, 1460, 1585 mm
Special lengths	on request up to 6000 mm for wing- and sliding doors
Release	unilaterally on hinge side
Can be shortened	up to the maximum of 125 mm (335 mm only 115 mm)
Fastening	on the side with stainless steel angle brackets and self-drilling screws
Test approvals	on request

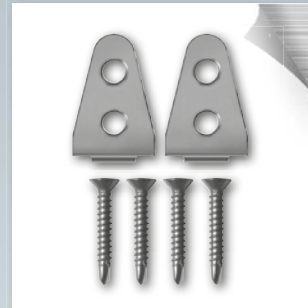




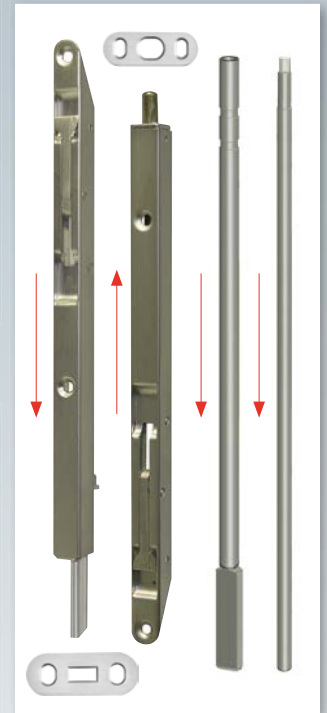
Planet MF with fastening brackets for metal doors



Option: Planet MF bevel lip for uneven floors



Assembly set Planet MF for metal doors (standard)



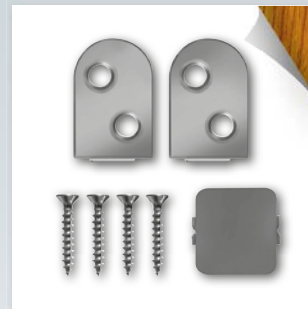
Accessories: Planet KR flush bolt, incl. strike plate → refer to chapter Accessories | Flush bolt
Driving bar rods flattened → see pages 145 – 155



Option: Planet MF with Planet drill hole $\varnothing 5 \times 13$ mm and driving bar rod → refer to chapter Accessories | driving bar rods



Option: Planet MF with Planet drill hole for flush bolt, driving bar rods → refer to chapter Accessories | driving bar rods



Assembly set Planet MF for wooden doors (possible)

Order specifications

Planet MF → RD ≤ 50 dB incl. assembly set MF metal	Prod. code 50xxx*
Planet MF → FH+RD ≤ 50 dB incl. assembly set MF metal	Prod. code 51xxx*

* xxx = refer to price list for profile length

Accessories | Options

Assembly set MF metal incl. fastening brackets and self-drilling screws (standard accessory)	Prod. code 900261
Assembly set MF wood incl. fastening brackets, frame protector plate and screws for flake board (possible)	Prod. code 900262
Planet frame protector plate type 1 (stainless); possible type 2/3/4/5 → refer to chapter Accessories Options	Prod. code 900014
Cut the Planet to fix dimension	Prod. code 900200
Planet drill hole $\varnothing 5 \times 13$ mm incl. plastic guide	Prod. code 900190
Planet drill hole $\varnothing 10$ mm	Prod. code 900280
Planet BM floor recess plates → refer to chapter Accessories BM	Prod. code 90034x-x Prod. code 90027x-x

x-x = Several Planet Floor recess plates available in different adjustment range refer to chapter Accessories | BM

Accessories | Options

Planet sliding door	refer to price list, options / supplements
----------------------------	--

Advertising text



Planet MF → RD (smoke-shielding) ≤ 50 dB
Automatic door drop-down seal Planet MF → RD ≤ 50 dB, for sound absorption and smoke-shielding doors, release on hinge side with automatic compensation in case of an inclined floor, parallel drop-down, seal height up to $\downarrow 16$ mm. Flush or deeper to put in groove with lip protection. Silicone lip, lateral fastening. Aluminum profile → 19,8 x 20 mm .

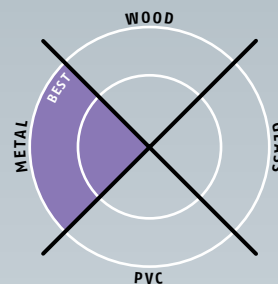
Advertising text



Planet MF → FH+RD (fire-retardant + smoke-shielding) ≤ 50 dB
Automatic door drop-down seal Planet MF → FH+RD ≤ 50 dB, for sound protection-, smoke-shielding and fire-retardant doors, release on hinge side with automatic compensation in case of an inclined floor, parallel drop-down, seal height up to $\downarrow 16$ mm. Flush or deeper to put in groove with lip protection. Self-extinguishing silicone lip, lateral fastening. Aluminum profile → 19,8 x 20 mm .

Planet RO → 19,8 / 36 x 20 mm | ↓ 16 mm | ≤ 50 dB

DOOR MATERIAL



Main features

- Seal height up to ↓ 16 mm
- Acoustic insulation up to ≤ 50 dB in case of an optimal sealing
- Unilateral and soundless release, silent seal
- Due to parallel drop-down no trailing on the floor
- Automatic compensation at inclined floors
- For double leaf folding doors with flush bolt or driving bar
- High-grade silicone lip, simple lift height adjustment
- Can be shortened up to the next shorter length on stock
- No extra need to cut off silicone at both ends
- 7 years warranty

Versions

- Planet RO → RD ≤ 50 dB, smoke-shielding
- Planet RO → FH+RD ≤ 50 dB, fire-retardant + smoke-shielding
- Possibility of silicone-free (TPE) execution
- Option Double-shortening → refer to chapter Accessories | TR125
- Special versions on request

Door types with Planet RO



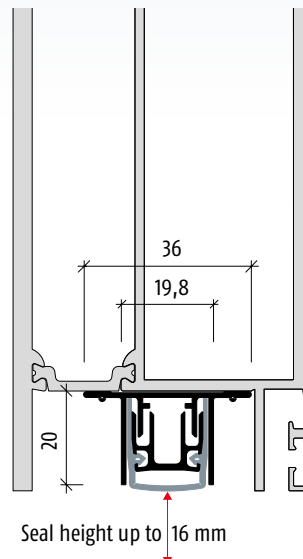
Double leaf doors → refer to chapter Accessories | Flush bolt, drilling

More functions



Technical specifications

Profile material	Aluminum, → 19,8 / 36 x 20 mm
Seal profile	high-grade silicone or high-grade self-extinguishing silicone
Seal height	up to ↓ 16 mm
Sound absorption value	up to ≤ 50 dB at 7 mm space to the floor; up to ≤ 43 dB at 16 mm space to the floor
Lift height adjustment	on the release knob with an Allen key 3 mm
Lengths in stock	335, 460, 585, 710, 835, 960, 1085, 1210, 1335, 1460, 1585 mm
Special lengths	on request up to 6000 mm for wing- and sliding doors
Release	unilaterally on hinge side
Can be shortened	up to the maximum of 125 mm (335 mm only 115 mm)
Fastening	from the bottom with screws available with the customer
Frame protector plate	Stainless, hammer fixed, 20 x 20 mm
Test approvals	on request



Versions | Options | Accessories



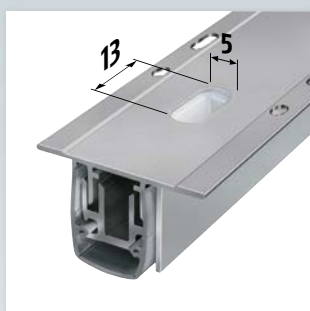
Profile Planet RO



Planet RO, release side



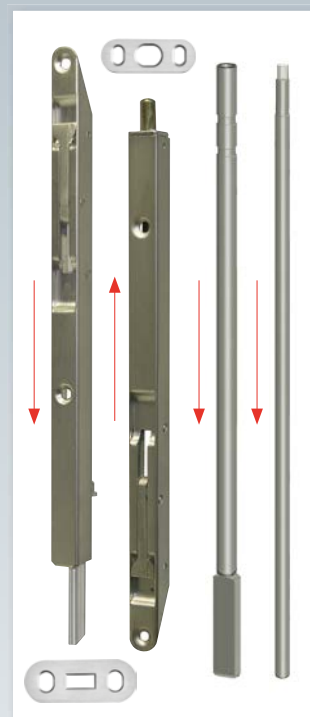
Option: Planet RO with bevel lip for uneven floors



Option: Planet RO with Planet drill hole $\varnothing 5 \times 13$ mm for flush bolt, driving bar rods → refer to chapter Accessories | driving bar rods



Option: Planet RO with Planet drill hole $\varnothing 10$ mm for flush bolt, driving bar rods → refer to chapter Accessories | driving bar rods



Accessories: Planet KR flush bolt, incl. strike plate → refer to chapter Accessories | Flush bolt
Driving bar rods flattened → see pages 145 – 155

Order specifications

Planet RO → RD ≤ 50 dB	Prod. code 56xxx*
Planet RO → FH+RD ≤ 50 dB	Prod. code 57xxx*

* xxx = refer to price list for profile length

Accessories | Options

Planet drill hole $\varnothing 5 \times 13$ mm including plastic guide, for Planet KR and driving bar rods flattened → refer to chapter Accessories Flush bolt, drilling	Prod. code 900190
Planet drill hole $\varnothing 10$ mm	Prod. code 900280
Planet BM floor recess plates → refer to chapter Accessories BM	Prod. code 90034x-x Prod. code 90027x-x
Cut the Planet to fix dimension	Prod. code 900200
Planet sliding door	refer to price list, options / supplements

x-x = Several Planet Floor recess plates available in different adjustment range refer to chapter Accessories | BM

Advertising text



Planet RO → RD (smoke-shielding) ≤ 50 dB

Automatic door drop-down seal **Planet RO → RD ≤ 50 dB**, for sound absorption and smoke-shielding doors, release on hinge side with automatic compensation in case of an inclined floor, parallel drop-down, seal height up to $\downarrow 16$ mm. Silicone lip, fastening on the bottom. Aluminum profile → **19,8 / 36 x 20 mm**.

Advertising text

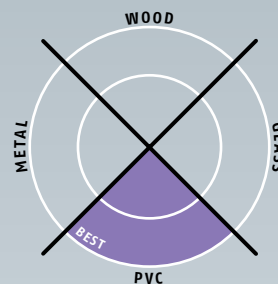


Planet RO → FH+RD (fire-retardant + smoke-shielding) ≤ 50 dB

Automatic door drop-down seal **Planet RO → FH+RD ≤ 50 dB**, for sound protection-, smoke-shielding and fire-retardant doors, release on hinge side with automatic compensation in case of an inclined floor, parallel drop-down, seal height up to $\downarrow 16$ mm. Self-extinguishing silicone lip, fastening on the bottom. Aluminum profile → **19,8 / 36 x 20 mm**.

Planet RS → 20,8 / 24 x 20 mm | ↓ 16 mm | ≤ 50 dB

DOOR MATERIAL



Main features

- Seal height up to ↓ 16 mm
- Acoustic insulation up to ≤ 50 dB in case of an optimal sealing
- Fastening bracket suitable to Euro groove 16 mm
- Suitable to groove of street door 24 mm
- Assembly set for all common system manufacturers
- Unilateral and soundless release, silent seal
- Due to parallel drop-down no trailing on the floor
- For double leaf folding doors with flush bolt or driving bar
- Can be shortened up to the next shorter length on stock
- No extra need to cut off silicone at both ends
- 7 years warranty

Versions

- Planet RS → RD ≤ 50 dB, smoke-shielding
- Planet RS → FH+RD ≤ 50 dB, fire-retardant + smoke-shielding
→ **Attention!** Please contact the door manufacturer / system designer for the fire protection approval
- Possibility of silicone-free (TPE) execution
- Special versions on request
- **NEW** Option Planet RS-plus ≤ 54 dB for best sound protection (Proof for MF-plus)
- Option Double-shortening → refer to chapter Accessories | TR125

Door types with Planet RS



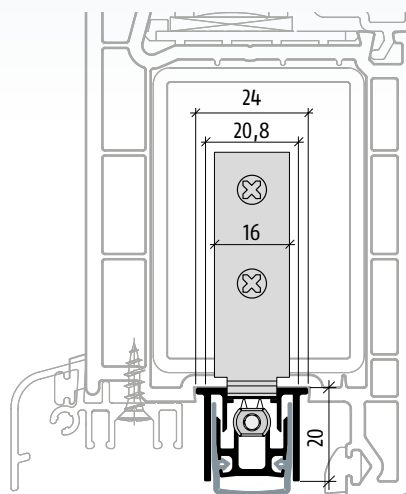
Double leaf doors → refer to chapter Accessories | Flush bolt, drilling

More functions



Technical specifications

Profile material	Aluminum, → 20,8 / 24 x 20 mm
Seal profile	high-grade silicone or high-grade self-extinguishing silicone
Seal height	up to ↓ 16 mm
Sound absorption value	up to ≤ 50 dB at 7 mm space to the floor; up to ≤ 43 dB at 16 mm space to the floor
Lift height adjustment	on the release knob with an Allen key 3 mm
Lengths in stock	335, 460, 585, 710, 835, 960, 1085, 1210, 1335, 1460, 1585 mm
Special lengths	on request up to 6000 mm for wing- and sliding doors
Release	unilaterally on hinge side
Can be shortened	up to the maximum of 125 mm (335 mm only 115 mm)
Fastening	with assembly set execution system manufacturer
Test approvals	on request



Seal height up to 16 mm



Versions | Options | Accessories



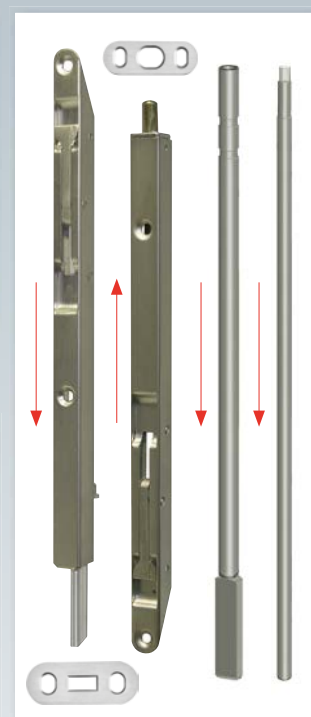
Option: Planet RS-plus for best sound protection



Planet RS with fastening brackets, release side



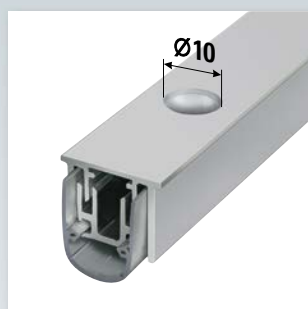
Example: assembly set RS → refer to list system manufacturers



Accessories: Planet KR flush bolt, incl. strike plate → refer to chapter Accessories | Flush bolt
Driving bar rods flattened → see pages 145 – 155



Option: Planet RS with Planet drill hole $\varnothing 5 \times 13$ mm and driving bar rod → refer to chapter Accessories | driving bar rods



Option: Planet RS with Planet drill hole for flush bolt, driving bar rods → refer to chapter Accessories | driving bar rods



Option: Planet RS with bevel lip for uneven floors

Order specifications

Planet RS → RD ≤ 50 dB incl. assembly set MF	Prod. code 55xxx*
Planet RS → FH+RD ≤ 50 dB incl. assembly set MF	Prod. code 59xxx*

* xxx = refer to price list for profile length

Assembly set for profile system manufacturers

PVC Universal	incl. fastening brackets, frame protector plate	code 900507
ALU Universal	incl. fastening brackets, frame protector plate	code 900508
Aluplast	incl. fastening brackets, frame protector plate	code 900505
Everest	incl. fastening brackets, frame protector plate	code 900506
Gealan	incl. fastening brackets, frame protector plate	code 900502
Kömmerling	incl. fastening brackets, frame protector plate	code 900503
Rehau	incl. fastening brackets, frame protector plate	code 900504
Schüco	incl. fastening brackets, frame protector plate	code 900501
Veka	incl. fastening brackets, frame protector plate	code 900500

Accessories | Options

Planet RS-plus ≤ 54 dB for best sound protection	refer to price list, options/supplements
Planet frame protector plate Typ 10 suitable to VEKA, GEALAN, Kömmerling, REHAU	Prod. code 900467
Planet frame protector plate Typ 11 suitable to Schüco	Prod. code 900482
Assembly set MF Typ metal incl. fastening bracket and self-drilling screws	Prod. code 900261
Cut the Planet to fix dimension	Prod. code 900200
Planet drill hole $\varnothing 5 \times 13$ mm including plastic guide, for Planet KR and driving bar rods flattened → refer to chapter Accessories Flush bolt, drilling	Prod. code 900190
Planet drill hole $\varnothing 10$ mm	Prod. code 900280
Planet BM floor recess plates → refer to chapter Accessories BM	Prod. code 90034x-x Prod. code 90027x-x

x-x = Several Planet Floor recess plates available in different adjustment range refer to chapter Accessories | BM

Advertising text



Planet RS → RD (smoke-shielding) ≤ 50 dB

Automatic door drop-down seal Planet RS → RD ≤ 50 dB, for sound absorption and smoke-shielding doors, release on hinge side with automatic compensation in case of an inclined floor, parallel drop-down, seal height up to $\downarrow 16$ mm. Silicone lip, fastening on the top. Aluminum profile → 20,8 / 24 x 20 mm.

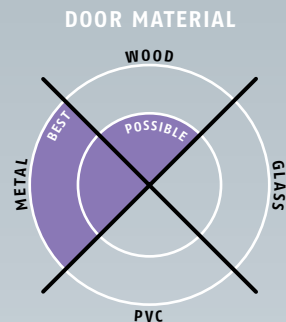
Advertising text



Planet RS → FH+RD (fire-retardant + smoke-shielding) ≤ 50 dB

Automatic door drop-down seal Planet RS → FH+RD ≤ 50 dB, for sound protection-, smoke-shielding and fire-retardant doors, release on hinge side with automatic compensation in case of an inclined floor, parallel drop-down, seal height up to $\downarrow 16$ mm. Self-extinguishing silicone lip, fastening on the top. Aluminum profile → 20,8 / 24 x 20 mm.

Planet PU → 19,8 x 20 mm | ↓ 16 mm | ≤ 50 dB



Main features

- Seal height up to ↓ 16 mm
- Acoustic insulation up to ≤ 50 dB in case of an optimal sealing
- Unilateral and soundless release, silent seal
- Due to parallel drop-down no trailing on the floor
- Automatic compensation at inclined floors
- For double leaf folding doors with flush bolt or driving bar
- High-grade silicone lip, simple lift height adjustment
- Can be shortened up to the next shorter length on stock
- No extra need to cut off silicone at both ends
- 7 years warranty

Versions

- Planet PU → RD ≤ 50 dB, smoke-shielding
- Planet PU → FH+RD ≤ 50 dB, fire-retardant + smoke-shielding
- Possibility of silicone-free (TPE) execution
- Special versions on request
- **NEW** Option Planet PU-plus ≤ 54 dB for best sound protection (Proof for MF-plus)
- Option Double-shortening → refer to chapter Accessories | TR125



Door types with Planet PU



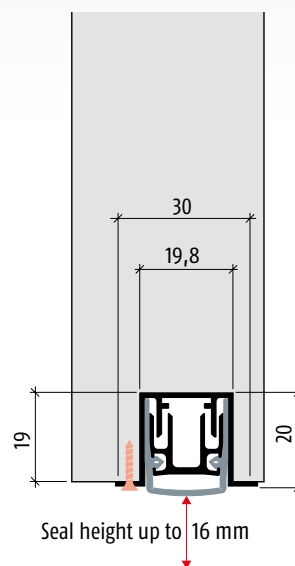
Double leaf doors → refer to chapter Accessories | Flush bolt, drilling

More functions



Technical specifications

Profile material	Aluminum, → 19,8 x 20 mm
Groove size	□ width 20 mm with depth 19,5 mm
Seal profile	high-grade silicone or high-grade self-extinguishing silicone
Seal height	up to ↓ 16 mm
Sound absorption value	up to ≤ 50 dB at 7 mm space to the floor; up to ≤ 43 dB at 16 mm space to the floor
Lift height adjustment	on the release knob with an Allen key 3 mm
Lengths in stock	335, 460, 585, 710, 835, 960, 1085, 1210, 1335, 1460, 1585 mm
Special lengths	on request up to 6000 mm
Release	unilaterally on hinge side
Can be shortened	up to the maximum of 125 mm (335 mm only 115 mm)
Fastening	from the bottom with screws or nails/pins available with the customer
Frame protector plate	Stainless, hammer fixed, 20 x 20 mm
Test approvals	on request





Option: Planet PU-plus for best sound protection



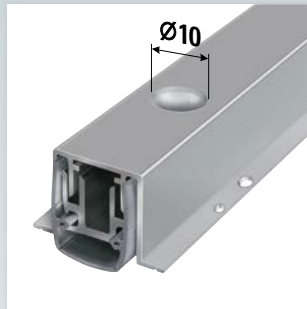
Planet PU, release side



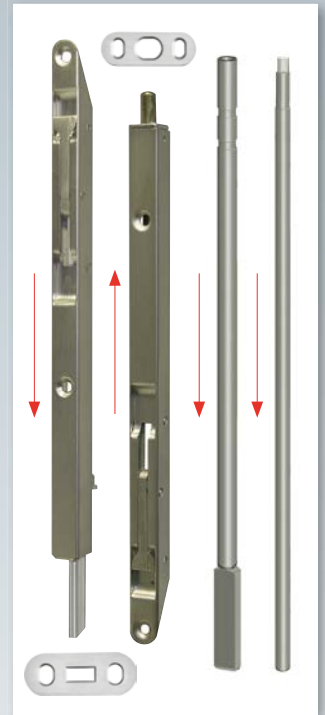
Option: Planet PU with bevel lip for uneven floors



Option: Planet PU with Planet drill hole $\varnothing 5 \times 13$ mm and driving bar rod → refer to chapter Accessories | driving bar rods



Option: Planet PU with Planet drill hole $\varnothing 10$ mm for flush bolt, driving bar rods → refer to chapter Accessories | driving bar rods



Accessories: Planet KR flush bolt, incl. strike plate → refer to chapter Accessories | Flush bolt
Driving bar rods flattened → see pages 145 – 155

Order specifications

Planet PU → RD ≤ 50 dB including frame protector plate, type 1	Prod. code 53xxx*
Planet PU → FH+RD ≤ 50 dB including frame protector plate, type 1	Prod. code 54xxx*

* xxx = refer to price list for profile length

Accessories | Options

Planet PU-plus ≤ 54 dB for best sound protection	refer to price list, options/supplements
Planet frame protector plate type 1 (stainless); possible type 2/3/4/5 → refer to chapter Accessories Options	Prod. code 900014
Cut the Planet to fix dimension	Prod. code 900200
Planet drill hole $\varnothing 5 \times 13$ mm including plastic guide, for Planet KR and driving bar rods flattened → refer to chapter Accessories Flush bolt, drilling	Prod. code 900190
Planet drill hole $\varnothing 10$ mm	Prod. code 900280
Planet BM floor recess plates → refer to chapter Accessories BM	Prod. code 90034x-x Prod. code 90027x-x
Planet sliding door	refer to price list, options/supplements

x-x = Several Planet Floor recess plates available in different adjustment range refer to chapter Accessories | BM

Advertising text



Planet PU → RD (smoke-shielding) ≤ 50 dB
Automatic door drop-down seal Planet PU → RD ≤ 50 dB , for sound absorption and smoke-shielding doors, release on hinge side with automatic compensation in case of an inclined floor, parallel drop-down, seal height up to $\downarrow 16$ mm, flush to put in groove. Silicone lip, fastening on the bottom. Aluminum profile → 19,8 x 20 mm .

Advertising text



Planet PU → FH+RD (fire-retardant + smoke-shielding) ≤ 50 dB
Automatic door drop-down seal Planet PU → FH+RD ≤ 50 dB , for sound protection-, smoke-shielding and fire-retardant doors, release on hinge side with automatic compensation in case of an inclined floor, parallel drop-down, seal height up to $\downarrow 16$ mm, flush to put in groove. Self-extinguishing silicone lip, fastening on the bottom. Aluminum profile → 19,8 x 20 mm .

Planet^{swiss}® *news*

Planet **KG-F8 narrow** / **KG-S narrow** –
minimal and elegant for all glass doors!

NEW

**KG-S
narrow**

- ↓ Seal height: 16 mm
- Glass thickness: variable

NEW

**KG-F8
narrow**

- ↓ Seal height: 16 mm
- Glass thickness: 8 mm / LSG



Planet **KG-S narrow** → see page 96–97

Planet **KG-F8 narrow** → see page 106–107

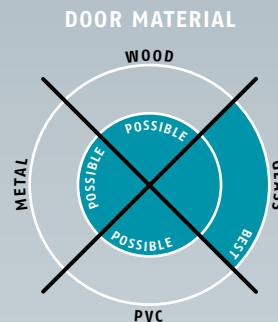
Planet drop-down seals
→ for **glass doors**

3

Planet KG-S narrow	96-97
Planet KG-SM-Set narrow	98-99
Planet KG-S	100-101
Planet KG-SM-Set	102-103
Planet KG-A8 A10	104-105
Planet KG-F8 narrow	106-107
Planet KG-F10 F12	108-109
Planet KG-D8 D10	110-111
Planet KG-U	112-113
Planet KG-SL10	114-115
Planet KG-MinE-S10	116-117

Planet KG-S narrow

→ 11,5 x 38 mm | ↓ 16mm | ≤ 48 dB



Main features

- Seal height up to ↓ 16 mm
- Acoustic insulation up to ≤ 48 dB in case of an optimal sealing
- Planet KG-S narrow laterally pasted with UV cement or double adhesive tape
- Unilateral and soundless release, silent seal
- Due to parallel drop-down no trailing on the floor
- Automatic compensation at inclined floors
- High-grade silicone lip, simple lift height adjustment
- Can be shortened up to the next shorter length on stock
- 7 years warranty

Versions

- Planet KG-S narrow → RD ≤ 48 dB, smoke-shielding
- Planet KG-S narrow → FH+RD ≤ 48 dB, fire-retardant + smoke-shielding
- Special versions on request

Surfaces

- Protection profile silver anodised EV1
- Protection profile stainless steel satin anodised

Door types with Planet KG-S narrow

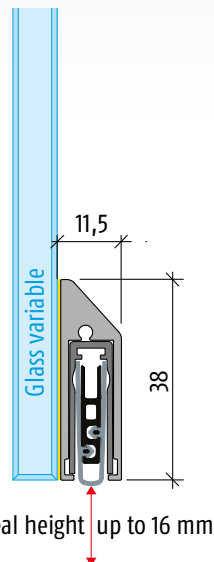


More functions



Technical specifications

Profile material	Aluminum, → 11,5x38 mm, silver anodised EV1 or stainless steel satin anodised
Seal profile	high-grade silicone or high-grade self-extinguishing silicone
Seal height	up to ↓ 16 mm
Sound absorption value	up to ≤ 48 dB at 7 mm space to the floor; up to ≤ 47 dB at 14 mm space to the floor
Lift height adjustment	on the release knob with an Allen key 3 mm
Lengths in stock	459, 584, 709, 834, 959, 1084, 1209, 1334, 1459 mm
Special lengths	on request up to 6000 mm, sliding doors up to 1600 mm
Release	unilaterally on hinge side
Can be shortened	up to the maximum of 125 mm
Fastening	to be pasted
Frame protector plate	Stainless, hammer fixed, 20 x 20 mm
Test approvals	on request





Planet KG-S narrow, pasted laterally on glass door, release side



Planet KG-S narrow, with cover plate



Option: Planet KG-S narrow, bevel lip for **uneven floors**



Planet KG-S narrow, with screw for Quick install



Option: Planet KG-S narrow, laterally pasted on **wooden door**



Option: Planet KG-S narrow, laterally pasted on **metal door**



Option: Planet KG-S narrow, laterally pasted on **PVC door**



Accessories: Planet frame protector, fixing screw for the seal and set of Planet cover plates

Order specifications

Planet KG-S narrow → RD ≤ 48 dB → silver anodised EV1 incl. set of cover plates and frame protector plate, type 1	Prod. code 38xxx-Ss*
Planet KG-S narrow → FH+RD ≤ 48 dB → silver anodised EV1 incl. set of cover plates and frame protector plate, type 1	Prod. code 39xxx-Ss*
Planet KG-S narrow → stainless steel satin anodised (option)	Prod. code 900906
Planet KG-S narrow → sliding door (option)	Prod. code 900908

* xxx = refer to price list for profile length

Accessories | Options

Planet frame protector plate type 1 (stainless); possible type 2/3/4/5 → refer to chapter Accessories Options	Prod. code 900014
Cut the Planet to fix dimension	Prod. code 900225
Set of Planet cover plates für KG-S/F8 narrow	Prod. code 900836
Adhesive tape set for Planet KG-S narrow	Prod. code 900837



Quick install: with the screw you can fix the seal in no time and the door is immediately ready to use!

Advertising text



Planet KG-S narrow → RD (smoke-shielding) ≤ 48 dB

Automatic door drop-down seal **Planet KG-S narrow → RD ≤ 48 dB**, unilateral release with parallel drop-down and automatic compensation at inclined floor, protection profile silver anodised EV1 or stainless steel satin anodised, pasted laterally on glass door. Seal height up to **↓16 mm**. Lip from silicone. Protection profile and profile made from aluminum → **11,5 x 38 mm**, incl. cover plate on lock side for single leaf doors.

Advertising text

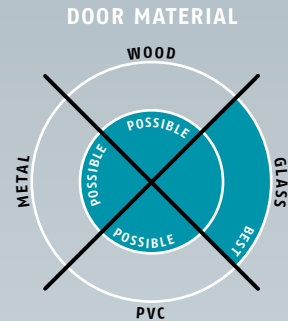


Planet KG-S narrow → FH+RD (fire-retardant + smoke-shielding) ≤ 48 dB

Automatic door drop-down seal **Planet KG-S narrow → FH+RD ≤ 48 dB**, unilateral release with parallel drop-down and automatic compensation at inclined floor, protection profile silver anodised EV1 or stainless steel satin anodised, pasted laterally on glass door. Seal height up to **↓16 mm**. Self-extinguishing silicone lip. Protection profile and profile made from aluminum → **11,5 x 38 mm**, incl. cover plate on lock side for single leaf doors.

Planet KG-SM-Set narrow

→ 11,5 x 38 mm | ↓ 16mm | ≤ 48 dB



Main features

- Seal height up to ↓ 16 mm
- Acoustic insulation up to ≤ 48 dB in case of an optimal sealing
- Very easy installation with a set of adhesive tapes
- For new and already existing doors
- Elegant and architectural design solution
- Appropriate for left-hand and right-hand doors
- Unilateral and soundless release, silent seal
- Due to parallel drop-down no trailing on the floor
- Automatic compensation at inclined floors
- High-grade silicone lip, simple lift height adjustment
- Can be shortened up to the next shorter length on stock
- 7 years warranty

Lengths

- 459, 584, 709, 834, 959, 1084, 1209, 1334 and 1459 mm

Surfaces

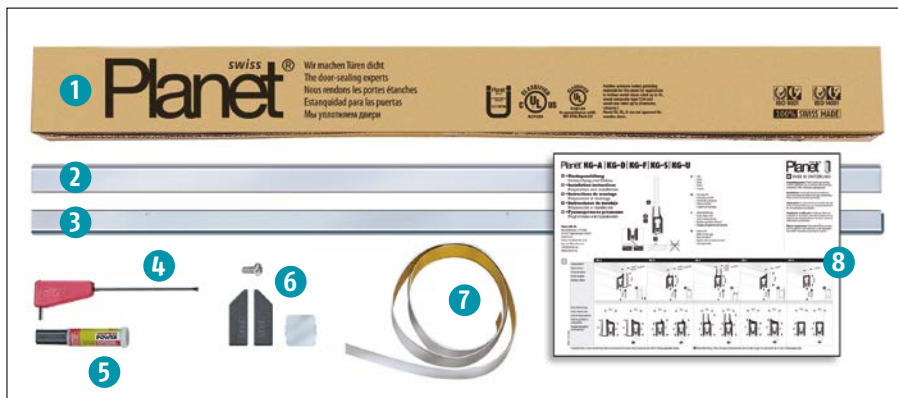
- Protection profile **silver anodised EV1**
- Protection profile **stainless steel satin anodised**

Assembly material completely enclosed

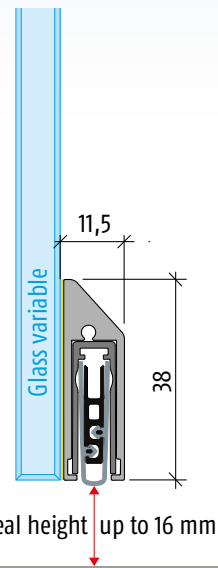
(→ refer to illustration below)

- 1 Packaging
- 2 Protection profile
- 3 Planet drop-down seal
- 4 Allen key
- 5 Installation cement
- 6 Cover plates, frame protector plate, screw
- 7 Adhesive tape
- 8 Assembly instructions

Complete Planet KG-SM-Set narrow

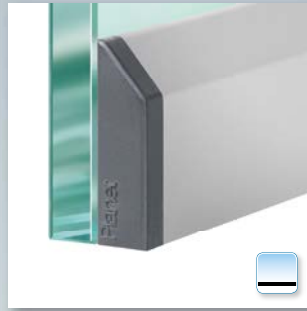


For technical specifications refer to Planet KG-S narrow





Planet KG-S narrow, pasted laterally on glass door, release side



Planet KG-S narrow, with cover plate



Option: Planet KG-S narrow, bevel lip for **uneven floors**



Planet KG-S narrow, with screw for Quick install



Option: Planet KG-S narrow, laterally pasted on **wooden door**



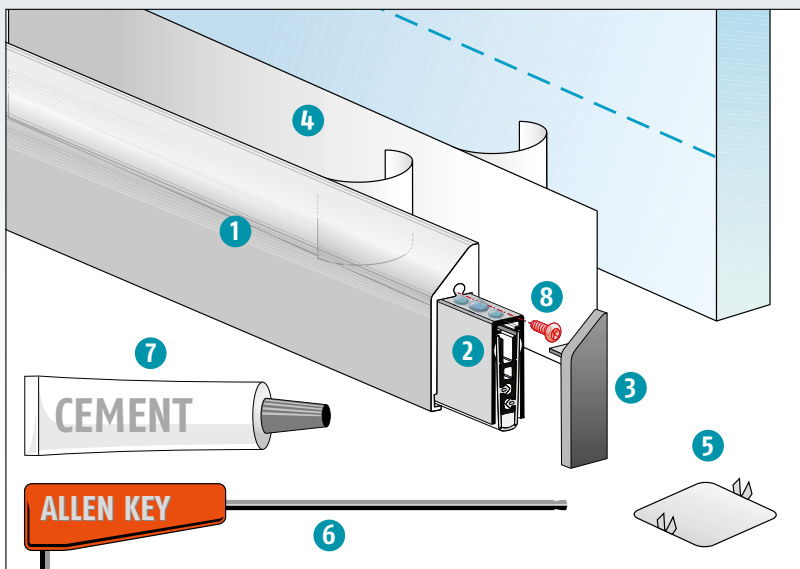
Option: Planet KG-S narrow, laterally pasted on **metal door**



Option: Planet KG-S narrow, laterally pasted on **PVC door**



Accessories: Planet frame protector, screw for fixing the seal and set of Planet cover plates



Planet KG-SM-Set narrow including

- 1 Protection profile with prepared double-adhesive tape
- 2 Planet KG drop-down seal
- 3 Protection profile for cover plates (DIN left / DIN right)
- 4 Aluminum colored foil (only for glass doors)
- 5 Frame protector plate
- 6 Allen key
- 7 Installation cement
- 8 screw for fixing the seal

Order specifications

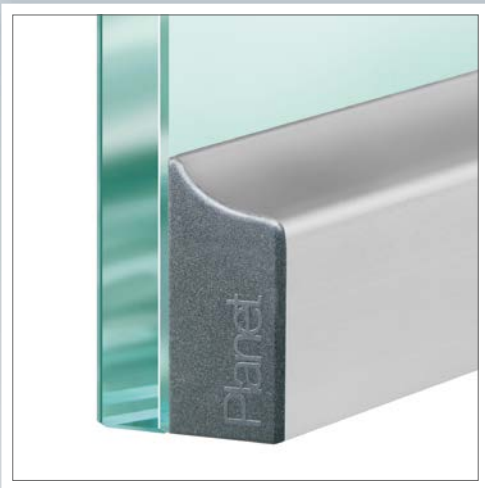
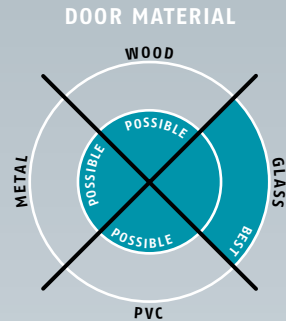
Planet KG-SM-Set narrow → silver anodised EV1	Prod. code 38xxx-SMs*
Planet KG-SM-Set → stainless steel satin anodised (option)	Prod. code 900906



Quick install: with the screw you can fix the seal in no time and the door is immediately ready to use!

* xxx = refer to price list for profile length

Planet KG-S → 16,5 x 35 mm | ↓ 18 mm | ≪ 48 dB



Main features

- Seal height up to ↓ 18 mm
- Acoustic insulation up to ≪ 48 dB in case of an optimal sealing
- Planet KG-S laterally pasted with UV cement or double adhesive tape
- Planet drop-down seal cemented in the Planet S protection profile
- Unilateral and soundless release, silent seal
- Due to parallel drop-down no trailing on the floor
- Automatic compensation at inclined floors
- High-grade silicone lip, simple lift height adjustment
- Can be shortened up to the next shorter length on stock
- 7 years warranty

Versions

- Planet KG-S → RD ≪ 48 dB, smoke-shielding
- Planet KG-S → FH+RD ≪ 48 dB, fire-retardant + smoke-shielding
- Special versions on request

Surfaces

- Protection profile silver anodised EV1
- Protection profile stainless steel satin anodised

Door types with Planet KG-S

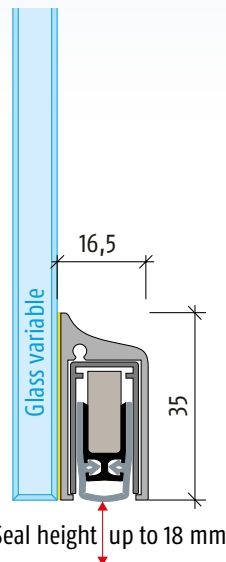


More functions



Technical specifications

Profile material	Aluminum, → 16,5 x 35 mm, silver anodised EV1 or stainless steel satin anodised
Seal profile	high-grade silicone or high-grade self-extinguishing silicone
Seal height	up to ↓ 18 mm
Sound absorption value	up to ≪ 48 dB at 7 mm space to the floor; up to ≪ 46 dB at 14 mm space to the floor
Lift height adjustment	on the release knob with an Allen key 3 mm
Lengths in stock	459, 584, 709, 834, 959, 1084, 1209, 1334, 1459 mm
Special lengths	on request up to 6000 mm, sliding doors up to 1600 mm
Release	unilaterally on hinge side
Can be shortened	up to the maximum of 125 mm
Fastening	to be pasted
Frame protector plate	Stainless, hammer fixed, 20 x 20 mm
Test approvals	on request





Planet KG-S, pasted laterally on glass door, release side



Planet KG-S, with cover plate



Planet KG-S, pasted laterally on glass door



Option: Planet KG-S, bevel lip for uneven floors



Option: Planet KG-S, laterally pasted on **wooden door**



Option: Planet KG-S, laterally pasted on **metal door**



Option: Planet KG-S, laterally pasted on **PVC door**



Accessories: Planet frame protector plate, type 1 (stainless), 20 x 20 mm

Order specifications

Planet KG-S → RD ≤ 48 dB → silver anodised EV1 incl. set of cover plates and frame protector plate, type 1	Prod. code 38xxx-5*
Planet KG-S → FH+RD ≤ 48 dB → silver anodised EV1 incl. set of cover plates and frame protector plate, type 1	Prod. code 39xxx-5*
Planet KG-S → stainless steel satin anodised (option)	Prod. code 900896
Planet KG-S → sliding door (option)	Prod. code 900908

* xxx = refer to price list for profile length

Accessories | Options

Planet frame protector plate type 1 (stainless); possible type 2/3/4/5 → refer to chapter Accessories Options	Prod. code 900014
Cut the Planet to fix dimension	Prod. code 900225
Set of Planet cover plates Planet KG	Prod. code 900252
Adhesive tape set for Planet KG-S	Prod. code 900221

Advertising text



Planet KG-S → RD (smoke-shielding) ≤ 48 dB

Automatic door drop-down seal **Planet KG-S → RD ≤ 48 dB**, unilateral release with parallel drop-down and automatic compensation at inclined floor, protection profile silver anodised EV1 or stainless steel satin anodised, pasted laterally on glass door. Seal height up to ↓ **18 mm**. Lip from silicone. Protection profile and profile made from aluminum → **16,5 x 35 mm**, incl. cover plate on lock side for single leaf doors.

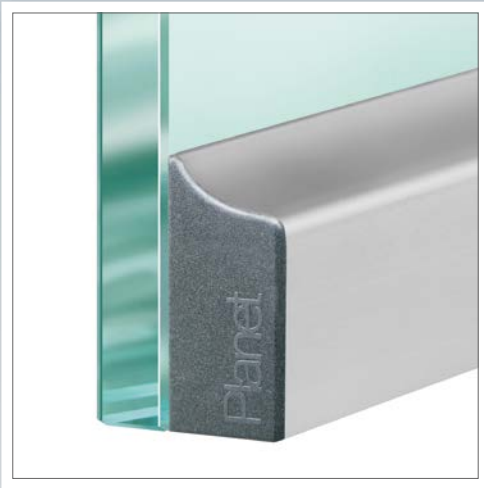
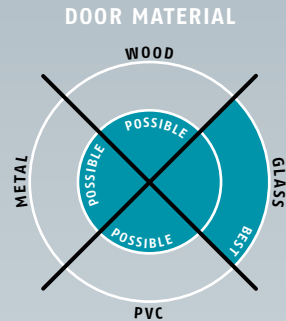
Advertising text



Planet KG-S → FH+RD (fire-retardant + smoke-shielding) ≤ 48 dB

Automatic door drop-down seal **Planet KG-S → FH+RD ≤ 48 dB**, unilateral release with parallel drop-down and automatic compensation at inclined floor, protection profile silver anodised EV1 or stainless steel satin anodised, pasted laterally on glass door. Seal height up to ↓ **18 mm**. Self-extinguishing silicone lip. Protection profile and profile made from aluminum → **16,5 x 35 mm**, incl. cover plate on lock side for single leaf doors.

Planet KG-SM-Set → 16,5 x 35 mm | ↓ 18 mm | ≤ 48 dB



Main features

- Seal height up to ↓ 18 mm
- Acoustic insulation up to ≤ 48 dB in case of an optimal sealing
- Very easy installation with a set of adhesive tapes
- For new and already existing doors
- Elegant and architectural design solution
- Appropriate for left-hand and right-hand doors
- Unilateral and soundless release, silent seal
- Due to parallel drop-down no trailing on the floor
- Automatic compensation at inclined floors
- High-grade silicone lip, simple lift height adjustment
- Can be shortened up to the next shorter length on stock
- 7 years warranty

Lengths

- 459, 584, 709, 834, 959, 1084, 1209, 1334 and 1459 mm

Surfaces

- Protection profile **silver anodised EV1**
- Protection profile **stainless steel satin anodised**

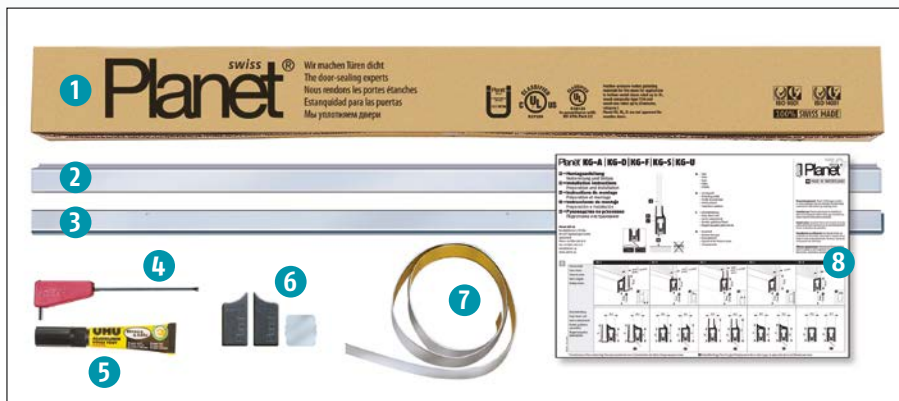
Assembly material completely enclosed

(→ refer to illustration below)

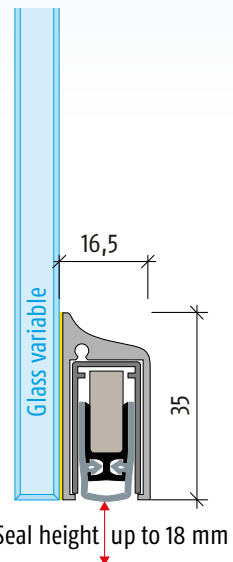
- 1 Packaging
- 2 Protection profile
- 3 Planet drop-down seal
- 4 Allen key
- 5 Installation cement
- 6 Cover plates, frame protector plate
- 7 Adhesive tape
- 8 Assembly instructions



Complete Planet KG-SM-Set



For technical specifications refer to Planet KG-S

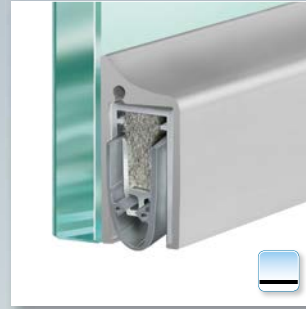




Planet KG-SM, pasted laterally on glass door, release side



Planet KG-SM, with cover plate



Planet KG-SM, pasted laterally on glass door



Option: Planet KG-SM, bevel lip for uneven floors



Option: Planet KG-SM, laterally pasted on **wooden door**



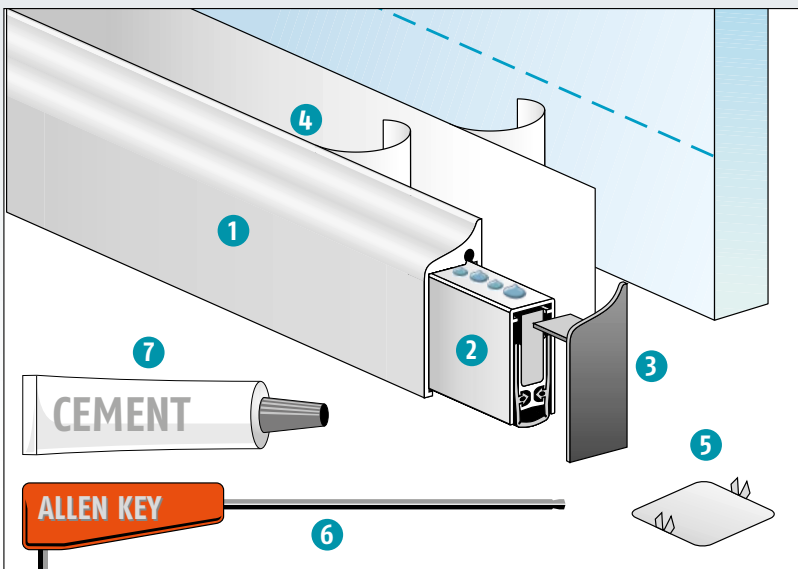
Option: Planet KG-SM, laterally pasted on **metal door**



Option: Planet KG-SM, laterally pasted on **PVC door**



Accessories: Planet frame protector plate, type 1 (stainless), 20 x 20 mm



Planet KG-SM-Set including

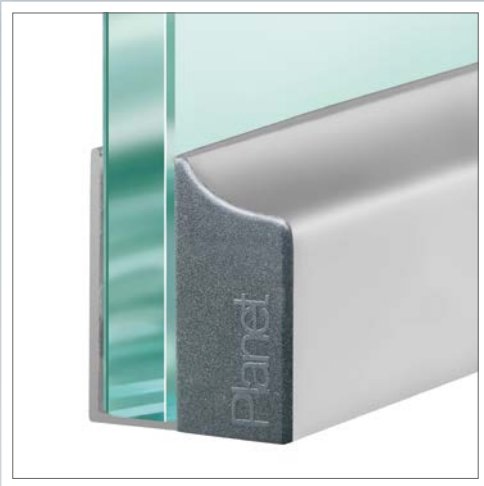
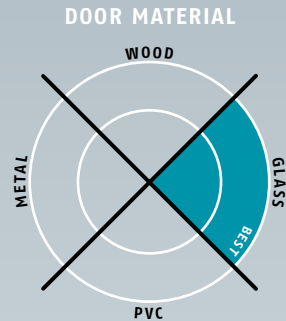
- ① Protection profile with prepared double-adhesive tape
- ② Planet KG drop-down seal
- ③ Protection profile for cover plates (DIN left / DIN right)
- ④ Aluminum colored foil (only for glass doors)
- ⑤ Frame protector plate
- ⑥ Allen key
- ⑦ Installation cement

Order specifications

Planet KG-SM-Set → silver anodised EV1	Prod. code 38xxx-SM*
Planet KG-SM-Set → stainless steel satin anodised (option)	Prod. code 900896

* xxx = refer to price list for profile length

Planet KG-A8 | A10 → 16,5 x 35 mm | ↓ 18 mm | ≤ 48 dB



Main features

- Seal height up to ↓ 18 mm
- Acoustic insulation up to ≤ 48 dB in case of an optimal sealing
- For one and double leaf folding all-glass doors, with a glass thickness of 8 to 10 mm
- Planet KG-A8 | A10 to be attached and glued
- Planet drop-down seal cemented in A8 / A10 protection profile
- Unilateral and soundless release, silent seal
- Due to parallel drop-down no trailing on the floor
- Automatic compensation at inclined floors
- High-grade silicone lip, simple lift height adjustment
- Can be shortened up to the next shorter length on stock
- 7 years warranty

Versions

- Planet KG-A8 | A10 → RD ≤ 48 dB, smoke-shielding
- Planet KG-A8 | A10 → FH+RD ≤ 48 dB, fire-retardant + smoke-shielding
- Special versions on request

Surfaces

- Protection profile silver anodised EV1
- Protection profile stainless steel satin anodised

Door types with Planet KG-A8 | A10

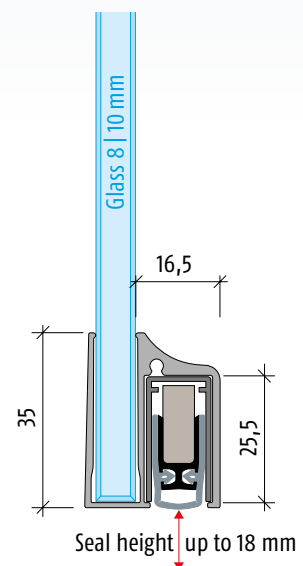


More functions



Technical specifications

Profile material	Aluminum, → 16,5 x 35 mm, silver anodised EV1 or stainless steel satin anodised
Seal profile	high-grade silicone or high-grade self-extinguishing silicone
Seal height	up to ↓ 18 mm
Sound absorption value	up to ≤ 48 dB at 7 mm space to the floor; up to ≤ 46 dB at 14 mm space to the floor
Lift height adjustment	on the release knob with an Allen key 3 mm
Lengths in stock	459, 584, 709, 834, 959, 1084, 1209, 1334, 1459 mm
Special lengths	on request up to 6000 mm, sliding doors up to 1600 mm
Release	unilaterally on hinge side
Can be shortened	up to the maximum of 125 mm
Fastening	to be glued
Frame protector plate	Stainless, hammer fixed, 20 x 20 mm
Test approvals	on request

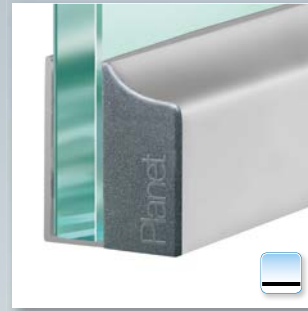




Planet KG-A8 | A10, attached and glued



Planet KG-A8 | A10, attached and glued release side



Planet KG-A8 | A10, with cover plate



Option: Planet KG-A8 | A10, bevel lip for **uneven floors**



Accessories: Planet frame protector plate, type 1 (stainless), 20 x 20 mm



Set of Planet cover plates Planet KG

Order specifications

Planet KG-A8 A10 → RD $\leq 48\text{ dB}$ → silver anodised EV1 incl. set of cover plates and frame protector plate, type 1	Prod. code 38xxx-A8 A10*
Planet KG-A8 A10 → FH+RD $\leq 48\text{ dB}$ → silver anodised EV1 incl. set of cover plates and frame protector plate, type 1	Prod. code 39xxx-A8 A10*
Planet KG-A8 A10 → stainless steel satin anodised (option)	Prod. code (A8) 900900 Prod. code (A10) 900901
Planet KG-A8 A10 → sliding door (option)	Prod. code 900908

* xxx = refer to price list for profile length

Accessories | Options

Planet frame protector plate type 1 (stainless); possible type 2/3/4/5 → refer to chapter Accessories Options	Prod. code 900014
Cut the Planet to fix dimension	Prod. code 900225
Set of Planet cover plates Planet KG	Prod. code 900252

Advertising text



Planet KG-A8 | A10 → RD (smoke-shielding) $\leq 48\text{ dB}$
Automatic door drop-down seal **Planet KG-A8 | A10 → RD $\leq 48\text{ dB}$**, unilateral release with parallel drop-down and automatic compensation at inclined floor, protection profile silver anodised EV1 or stainless steel satin anodised, to be attached and glued, seal height up to **↓ 18 mm**. Lip from silicone. Protection profile and profile made from aluminum → **16,5 x 35 mm**, incl. cover plate on lock side for folding doors.

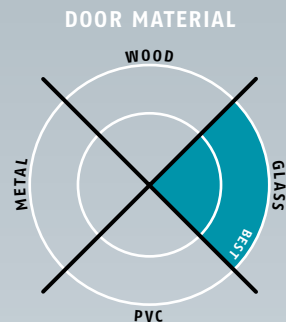
Advertising text



Planet KG-A8 | A10 → FH+RD (fire-retardant + smoke-shielding) $\leq 48\text{ dB}$
Automatic door drop-down seal **Planet KG-A8 | A10 → RD+FH $\leq 48\text{ dB}$**, appropriate for fire-retardant and smoke-shielding doors, sound absorption value SK 1-3, unilateral release with parallel drop-down and automatic compensation at inclined floor, protection profile silver anodised EV1 or stainless steel satin anodised, to be attached and glued, seal height up to **↓ 18 mm**. Lip from silicone. Protection profile and profile made from aluminum → **16,5 x 35 mm**, incl. cover plate on lock side for folding doors.

Planet KG-F8 narrow

→ 11,5 x 46 mm | ↓ 16 mm | ≤ 48 dB



Main features

- Seal height up to ↓ 16 mm
- Acoustic insulation up to ≤ 48 dB in case of an optimal sealing
- For one and double leaf all-glass doors, with a thickness of 8 mm or LSG
- Planet KG-F8 to be attached and glued
- Planet drop-down seal cemented in F8 narrow protection profile
- Unilateral and soundless release, silent seal
- Due to parallel drop-down no trailing on the floor
- Automatic compensation at inclined floors
- High-grade silicone lip, simple lift height adjustment
- Can be shortened up to the next shorter length on stock
- 7 years warranty

Versions

- Planet KG-F8 narrow → RD ≤ 48 dB, smoke-shielding
- Planet KG-F8 narrow → FH+RD ≤ 48 dB, fire-retardant and smoke-shielding
- Special versions on request

Surfaces

- Protection profile **silver anodised EV1**
- Protection profile **stainless steel satin anodised**

Door types with Planet KG-F8 narrow

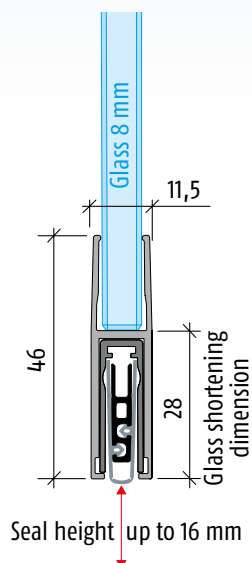


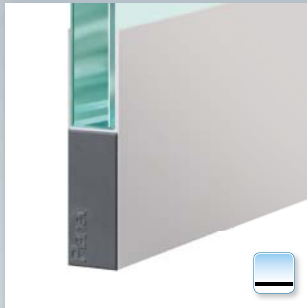
More functions



Technical specifications

Profile material	aluminum, → 11,5 x 46 mm, silver anodised EV1 or stainless steel satin anodised
Seal profile	high-grade silicone or high-grade self-extinguishing silicone
Seal height	up to ↓ 16 mm
Sound absorption value	up to ≤ 48 dB at 7 mm space to the floor; up to ≤ 47 dB at 14 mm space to the floor
Lift height adjustment	on the release knob with an Allen key 3 mm
Lengths in stock	459, 584, 709, 834, 959, 1084, 1209, 1334, 1459 mm
Special lengths	on request up to 6000 mm, sliding doors up to 1600 mm
Release	unilaterally on hinge side
Can be shortened	up to the maximum of 125 mm
Fastening	to be glued
Frame protector plate	stainless, hammer fixed, 20 x 20 mm
Test approvals	on request





Planet KG-F8 narrow, with cover plate



Planet KG-F8 narrow, attached and glued, release side



Planet KG-F8 narrow, attached and glued



Option: Planet KG-F8 narrow, bevel lip for **uneven floors**



Accessories: Planet frame protector plate, type 1 (stainless), 20 x 20 mm



Planet KG cover plate

Order specifications

Planet KG-F8 narrow → RD ≤ 48 dB → silver anodised EV1 incl. set of cover plates and frame protector plate, type 1	Prod. code 38xxx-F8s*
Planet KG-F8 narrow → FH+RD ≤ 48 dB → silver anodised EV1 incl. set of cover plates and frame protector plate, type 1	Prod. code 39xxx-F8s*
Planet KG-F8 narrow → stainless steel satin anodised (option)	Prod. code 900907
Planet KG-F8 narrow → sliding door (option)	Prod. code 900908

* xxx = refer to price list for profile length

Accessories | Options

Planet frame protector plate type 1 (stainless); possible type 2/3/4/5 → refer to chapter Accessories Options	Prod. code 900014
Cut the Planet to fix dimension	Prod. code 900225
Set of Planet cover plates KG-S / F8 narrow	Prod. code 900836

Advertising text



Planet KG-F8 narrow → RD (smoke-shielding) ≤ 48 dB
Automatic door drop-down seal **Planet KG-F8 narrow → RD ≤ 48 dB**, unilateral release with parallel drop-down and automatic compensation at inclined floor, protection profile silver anodised EV1 or stainless steel satin anodised, to be attached and glued, seal height up to ↓ 16 mm. Lip from silicone. Protection profile and profile made from aluminum → 11,5 x 46 mm, incl. cover plate on lock side for single leaf doors.

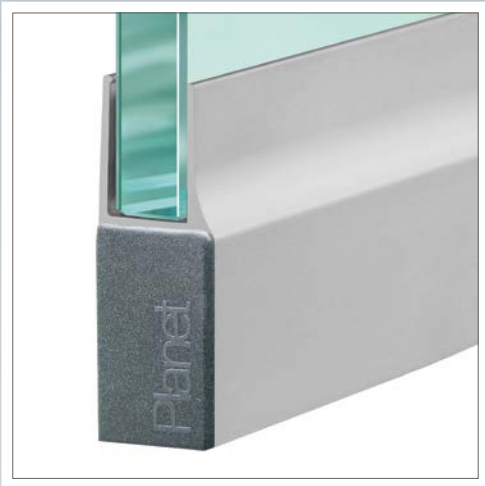
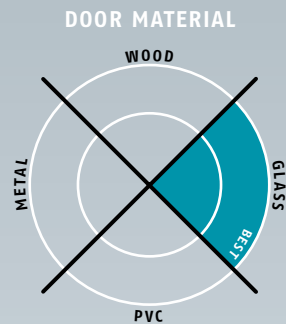
Advertising text



Planet KG-F8 narrow → FH+RD (fire-retardant + smoke-shielding) ≤ 48 dB
Automatic door drop-down seal **Planet KG-F8 narrow → FH+RD ≤ 48 dB**, appropriate for fire-retardant and smoke-shielding doors, sound absorption value SK 1-3, unilateral release with parallel drop-down and automatic compensation at inclined floor, protection profile silver anodised EV1 or stainless steel satin anodised, to be attached and glued, seal height up to ↓ 16 mm. Lip from silicone. Protection profile and profile made from aluminum → 16,5 x 46 mm, incl. cover plate on lock side for single leaf doors.

Planet KG-F10 | F12

→ 16,5 x 46 / 52 mm | ↓ 18 mm | ≤ 48 dB



Main features

- Seal height up to ↓ 18 mm
- Acoustic insulation up to ≤ 48 dB in case of an optimal sealing
- For one and double leaf all-glass doors, with a thickness of 10 and 12 mm
- Planet KG-F10 | F12 to be attached and glued
- Planet drop-down seal cemented in F10 / F12 protection profile
- Unilateral and soundless release, silent seal
- Due to parallel drop-down no trailing on the floor
- Automatic compensation at inclined floors
- High-grade silicone lip, simple lift height adjustment
- Can be shortened up to the next shorter length on stock
- 7 years warranty

Versions

- Planet KG-F10 | F12 → RD ≤ 48 dB, smoke-shielding
- Planet KG-F10 | F12 → FH+RD ≤ 48 dB, fire-retardant and smoke-shielding
- Special versions on request

Surfaces

- Protection profile silver anodised EV1
- Protection profile stainless steel satin anodised

Door types with Planet KG-F10 | F12

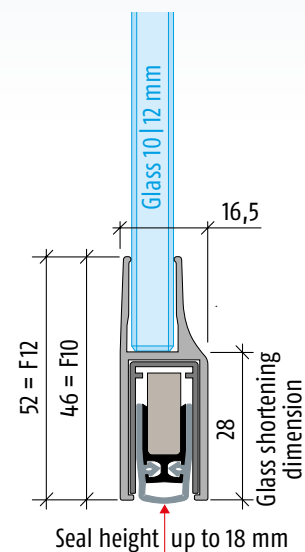


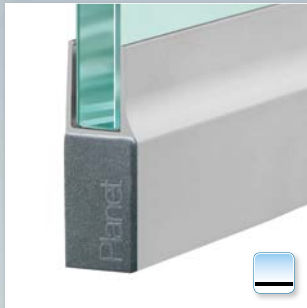
More functions



Technical specifications

Profile material	aluminum, → 16,5 x 46 / 52 mm, silver anodised EV1 or stainless steel satin anodised
Seal profile	high-grade silicone or high-grade self-extinguishing silicone
Seal height	up to ↓ 18 mm
Sound absorption value	up to ≤ 48 dB at 7 mm space to the floor; up to ≤ 46 dB at 14 mm space to the floor
Lift height adjustment	on the release knob with an Allen key 3 mm
Lengths in stock	459, 584, 709, 834, 959, 1084, 1209, 1334, 1459 mm
Special lengths	on request up to 6000 mm, sliding doors up to 1600 mm
Release	unilaterally on hinge side
Can be shortened	up to the maximum of 125 mm
Fastening	to be glued
Frame protector plate	Stainless, hammer fixed, 20 x 20 mm
Test approvals	on request





Planet KG-F10 | F12, with cover plate



Planet KG-F10 | F12, attached and glued, release side



Planet KG-F10 | F12, attached and glued



Option: Planet KG-F10 | F12, bevel lip for **uneven floors**



Accessories: Planet frame protector plate, type 1 (stainless), 20 x 20 mm



Set of Planet cover plates Planet KG

Order specifications

Planet KG-F10 F12 → RD ≤ 48 dB → silver anodised EV1 incl. set of cover plates and frame protector plate, type 1	Prod. code 38xxx-F10 F12*
Planet KG-F10 F12 → FH+RD ≤ 48 dB → silver anodised EV1 incl. set of cover plates and frame protector plate, type 1	Prod. code 39xxx-F10 F12*
Planet KG-F10 F12 → stainless steel satin anodise (option)	Prod. code (F10) 900898 Prod. code (F12) 900899
Planet KG-F10 F12 → sliding door (option)	Prod. code 900908

* xxx = refer to price list for profile length

Accessories | Options

Planet frame protector plate type 1 (stainless); possible type 2/3/4/5 → refer to chapter Accessories Options	Prod. code 900014
Cut the Planet to fix dimension	Prod. code 900225
Set of Planet cover plates Planet KG	Prod. code 900252

Advertising text



Planet KG-F10 | F12 → RD (smoke-shielding) ≤ 48 dB

Automatic door drop-down seal **Planet KG-F10 | F12 → RD ≤ 48 dB**, unilateral release with parallel drop-down and automatic compensation at inclined floor, protection profile silver anodised EV1 or stainless steel satin anodised, to be attached and glued, seal height up to **↓ 18 mm**. Lip from silicone. Protection profile and profile made from aluminum → **16,5 x 46 / 52 mm**, incl. cover plate on lock side for single leaf doors.

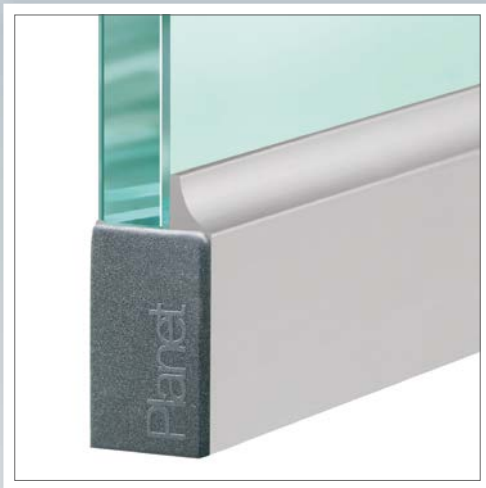
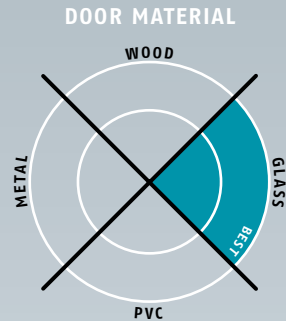
Advertising text



Planet KG-F10 | F12 → FH+RD (fire-retardant + smoke-shielding) ≤ 48 dB

Automatic door drop-down seal **Planet KG-F10 | F12 → FH+RD ≤ 48 dB**, appropriate for fire-retardant and smoke-shielding doors, sound absorption value SK 1-3, unilateral release with parallel drop-down and automatic compensation at inclined floor, protection profile silver anodised EV1 or stainless steel satin anodised, to be attached and glued, seal height up to **↓ 18 mm**. Lip from silicone. Protection profile and profile made from aluminum → **16,5 x 46 / 52 mm**, incl. cover plate on lock side for single leaf doors.

Planet KG-D8 | D10 → 16,5 x 28 / 35 mm | ↓ 18 mm | ≤ 48 dB



Main features

- Seal height up to ↓ 18 mm
- Acoustic insulation up to ≤ 48 dB in case of an optimal sealing
- For one and double leaf folding all-glass doors, with a glass thickness of 8 to 10 mm
- Planet KG-D8 | D10 with UV-pasted from the bottom glass edge (handed over by customer)
- Appropriate for functional doors
- Planet drop-down seal cemented in D8 / D10 protection profile
- Unilateral and soundless release, silent seal
- Due to parallel drop-down no trailing on the floor
- Automatic compensation at inclined floors
- High-grade silicone lip, simple lift height adjustment
- Can be shortened up to the next shorter length on stock
- 7 years warranty



Versions

- Planet KG-D8 | D10 → RD ≤ 48 dB, smoke-shielding
- Planet KG-D8 | D10 → FH+RD ≤ 48 dB, fire-retardant + smoke-shielding
- Special versions on request

Surfaces

- Protection profile **silver anodised EV1**
- Protection profile **stainless steel satin anodised**

Door types with Planet KG-D8 | D10

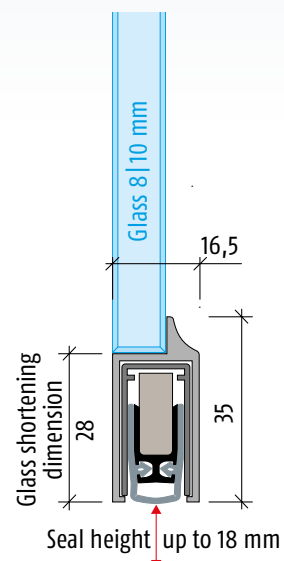


More functions



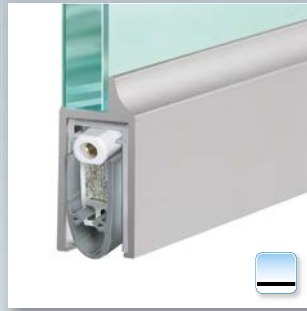
Technical specifications

Profile material	aluminum, → 16,5 x 28 mm, silver anodised EV1 or stainless steel satin anodised
Seal profile	high-grade silicone or high-grade self-extinguishing silicone
Seal height	up to ↓ 18 mm
Sound absorption value	up to ≤ 48 dB at 7 mm space to the floor; up to ≤ 46 dB at 14 mm space to the floor
Lift height adjustment	on the release knob with an Allen key 3 mm
Lengths in stock	459, 584, 709, 834, 959, 1084, 1209, 1334, 1459 mm
Special lengths	on request up to 6000 mm, sliding doors up to 1600 mm
Release	unilaterally on hinge side
Can be shortened	up to the maximum of 125 mm
Fastening	to be glued
Frame protector plate	Stainless, hammer fixed, 20 x 20 mm
Test approvals	on request





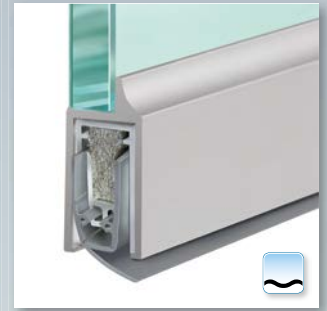
Planet KG-D8 | D10, UV-pasted from the bottom on glass door



Planet KG-D8 | D10, UV-pasted from the bottom on glass door, release side



Planet KG-D8 | D10, with cover plate



Option: Planet KG-D8 | D10, bevel lip for **uneven floors**



Accessories: Planet frame protector plate, type 1 (stainless), 20 x 20 mm



Set of Planet cover plates Planet KG

Order specifications

Planet KG-D8 D10 → RD ≤ 48 dB → silver anodised EV1 incl. set of cover plates and frame protector plate, type 1	Prod. code 38xxx-D8 D10*
Planet KG-D8 D10 → FH+RD ≤ 48 dB → silver anodised EV1 incl. set of cover plates and frame protector plate, type 1	Prod. code 39xxx-D8 D10*
Planet KG-D8 D10 → stainless steel satin anodised (option)	Prod. code (D8) 900902 Prod. code (D10) 900903
Planet KG-D8 D10 → sliding door (option)	Prod. code 900908

* xxx = refer to price list for profile length

Accessories | Options

Planet frame protector plate type 1 (stainless); possible type 2/3/4/5 → refer to chapter Accessories Options	Prod. code 900014
Cut the Planet to fix dimension	Prod. code 900225
Set of Planet cover plates Planet KG	Prod. code 900252

Advertising text



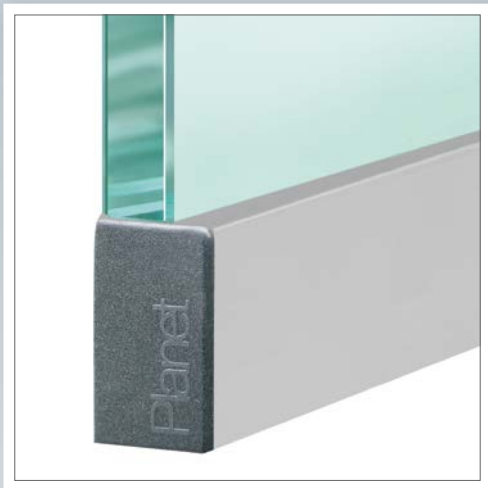
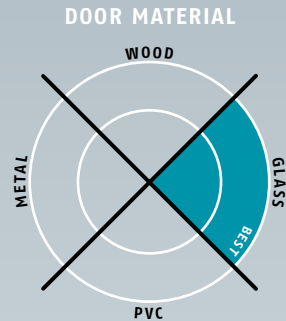
Planet KG-D8 | D10 → RD (smoke-shielding) ≤ 48 dB
Automatic door drop-down seal **Planet KG-D8 | D10 → RD ≤ 48 dB**, unilateral release with parallel drop-down and automatic compensation at inclined floor, protection profile silver anodised EV1 or stainless steel satin anodised, UV-pasted from the bottom on glass door, seal height up to **↓ 18 mm**. Lip from silicone. Protection profile and profile made from aluminum → **16,5 x 35 mm**, incl. cover plate on lock side for folding doors.

Advertising text



Planet KG-D8 | D10 → FH+RD (fire-retardant + smoke-shielding) ≤ 48 dB
Automatic door drop-down seal **Planet KG-D8 | D10 → RD+FH ≤ 48 dB**, appropriate for fire-retardant and smoke-shielding doors, sound absorption value SK 1-3, unilateral release with parallel drop-down and automatic compensation at inclined floor, protection profile silver anodised EV1 or stainless steel satin anodised, UV-pasted from the bottom on glass door, seal height up to **↓ 18 mm**. Lip from silicone. Protection profile and profile made from aluminum → **16,5 x 35 mm**, incl. cover plate on lock side for folding doors.

Planet KG-U → 16,5 x 28 mm | ↓ 18 mm | ≤ 48 dB



Main features

- Seal height up to ↓ 18 mm
- Acoustic insulation up to ≤ 48 dB in case of an optimal sealing
- For one and double leaf folding all-glass doors, with a glass thickness from 12 mm
- Planet KG-U with UV-pasted from the bottom glass edge (handed over by customer)
- Planet drop-down seal cemented in U protection profile
- Unilateral and soundless release, silent seal
- Due to parallel drop-down no trailing on the floor
- Automatic compensation at inclined floors
- High-grade silicone lip, simple lift height adjustment
- Can be shortened up to the next shorter length on stock
- 7 years warranty



Versions

- Planet KG-U → RD ≤ 48 dB, smoke-shielding
- Planet KG-U → FH+RD ≤ 48 dB, fire-retardant + smoke-shielding
- Special versions on request

Surfaces

- Protection profile silver anodised EV1
- Protection profile stainless steel satin anodised

Door types with Planet KG-U

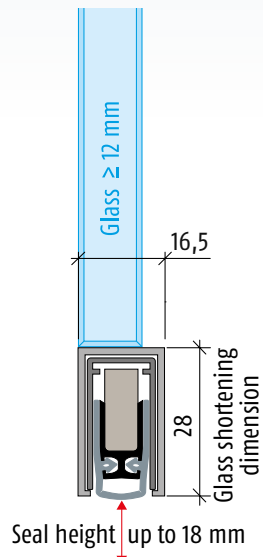


More functions



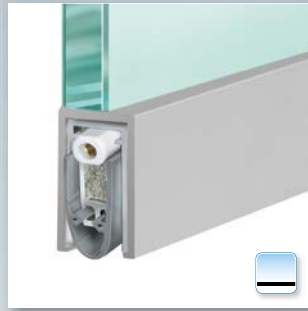
Technical specifications

Profile material	aluminum, → 16,5 x 28 mm, silver anodised EV1 or stainless steel satin anodised
Seal profile	high-grade silicone or high-grade self-extinguishing silicone
Seal height	up to ↓ 18 mm
Sound absorption value	up to ≤ 48 dB at 7 mm space to the floor; up to ≤ 46 dB at 14 mm space to the floor
Lift height adjustment	on the release knob with an Allen key 3 mm
Lengths in stock	459, 584, 709, 834, 959, 1084, 1209, 1334, 1459 mm
Special lengths	on request up to 6000 mm, sliding doors up to 1600 mm
Release	unilaterally on hinge side
Can be shortened	up to the maximum of 125 mm
Fastening	to be glued
Frame protector plate	Stainless, hammer fixed, 20 x 20 mm
Test approvals	on request

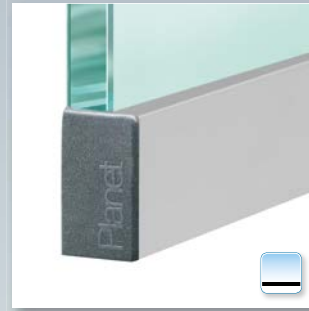




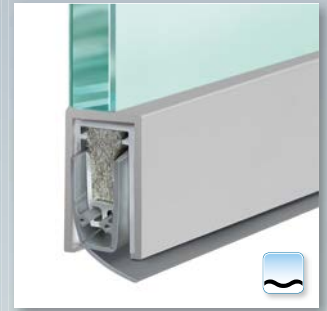
Planet KG-U, UV-pasted from the bottom on glass door



Planet KG-U, UV-pasted from the bottom on glass door, release side



Planet KG-U, with cover plate



Option: Planet KG-U, bevel lip for **uneven floors**



Accessories: Planet frame protector plate, type 1 (stainless), 20 x 20 mm



Set of Planet cover plates Planet KG

Order specifications

Planet KG-U → RD ≤ 48 dB → silver anodised EV1 incl. set of cover plates and frame protector plate, type 1	Prod. code 38xxx-U*
Planet KG-U → FH+RD ≤ 48 dB → silver anodised EV1 incl. set of cover plates and frame protector plate, type 1	Prod. code 39xxx-U*
Planet KG-U → stainless steel satin anodised (option)	Prod. code 900904
Planet KG-U → sliding door (option)	Prod. code 900908

* xxx = refer to price list for profile length

Accessories | Options

Planet frame protector plate type 1 (stainless); possible type 2/3/4/5 → refer to chapter Accessories Options	Prod. code 900014
Cut the Planet to fix dimension	Prod. code 900225
Set of Planet cover plates Planet KG	Prod. code 900252

Advertising text



Planet KG-U → RD (smoke-shielding) ≤ 48 dB
Automatic door drop-down seal **Planet KG-U → RD ≤ 48 dB**, unilateral release with parallel drop-down and automatic compensation at inclined floor, protection profile silver anodised EV1 or stainless steel satin anodised, UV-pasted from the bottom on glass door, seal height up to **↓ 18 mm**. Lip from silicone. Protection profile and profile made from aluminum → **16,5 x 28 mm**, incl. cover plate on lock side for folding doors.

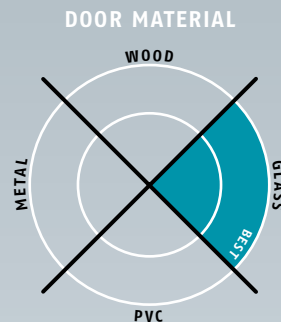
Advertising text



Planet KG-U → FH+RD (fire-retardant + smoke-shielding) ≤ 48 dB
Automatic door drop-down seal **Planet KG-U → RD+FH ≤ 48 dB**, appropriate for fire-retardant and smoke-shielding doors, sound absorption value SK 1-3, unilateral release with parallel drop-down and automatic compensation at inclined floor, protection profile silver anodised EV1 or stainless steel satin anodised, UV-pasted from the bottom on glass door, seal height up to **↓ 18 mm**. Lip from silicone. Protection profile and profile made from aluminum → **16,5 x 28 mm**, incl. cover plate on lock side for folding doors.

Planet KG-SL10 (sliding door)

→ 25 x 46 mm | ↓ 18 mm | ≪ 44 dB



Main features

- Seal height from ↓ 5 – 18 mm
- Acoustic insulation up to ≪ 44 dB in case of an optimal sealing
- For all-glass sliding doors with a glass thickness of 10 mm
- Planet KG-SL10 to be attached and glued
- Planet drop-down seal cemented in SL10 protection profile
- Unilateral and soundless release, silent seal
- Due to parallel drop-down no trailing on the floor
- Automatic compensation at inclined floors
- High-grade silicone lip, simple lift height adjustment
- Can be shortened up to the next shorter length on stock
- 7 years warranty

Versions

- Planet KG-SL10 → RD ≪ 44 dB, smoke-shielding
- Planet KG-SL10 → FH+RD ≪ 44 dB, fire-retardant + smoke-shielding
- Special versions on request

Surfaces

- Protection profile silver anodised EV1
- Protection profile stainless steel satin anodised

Door types with Planet KG-SL10

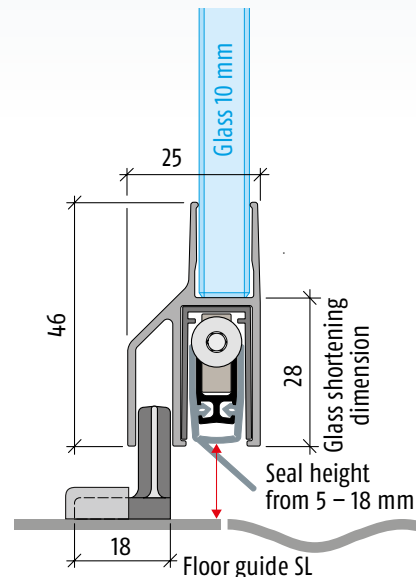


More functions



Technical specifications

Profile material	aluminum, → 25 x 46 mm, silver anodised EV1 or stainless steel satin anodised
Seal profile	high-grade silicone or high-grade self-extinguishing silicone
Seal height	from ↓ 5 – 18 mm
Sound absorption value	up to ≪ 44 dB at 7 mm space to the floor
Lift height adjustment	on the release knob with an Allen key 3 mm
Lengths in stock	459, 584, 709, 834, 959, 1084, 1209, 1334, 1459 mm
Special lengths	on request up to 6000 mm, sliding doors up to 1600 mm
Release	unilaterally on hinge side
Can be shortened	up to the maximum of 125 mm
Fastening	to be glued
Frame protector plate	Stainless, hammer fixed, 20 x 20 mm
Test approvals	on request





Planet KG-SL10 with floor guide and covering cape



Planet KG-SL10 with floor guide and covering cape, release side



Planet KG-SL10 with floor guide and covering capes



Option: Planet KG-SL10 with round lip



Planet floor guide and covering cape for Planet KG-SL10



Accessories: Planet frame protector plate, type 1 (stainless), 20 x 20 mm



Set of Planet cover plates Planet KG

Order specifications

<p>Planet KG-SL10 → RD ≤ 44 dB → silver anodised EV1 incl. set of cover plates, floor guide, covering cape and frame protector plate, type 1</p>	<p>Prod. code 37xxx-SL10 L R*</p>
<p>Planet KG-SL10 → FH+RD ≤ 44 dB → silver anodised EV1 incl. set of cover plates, floor guide, covering cape and frame protector plate, type 1</p>	<p>Prod. code 39xxx-SL10 L R*</p>
<p>DIN R</p>	
<p>DIN L</p>	
<p>Planet KG-SL10 → stainless steel satin anodised (option)</p>	<p>Artikel-Nr. 900905</p>

* xxx = refer to price list for profile length

Accessories | Options

<p>Planet floor guide, suitable to KG-SL10</p>	<p>Prod. code 900217</p>
<p>Planet covering cape to Planet floor guide suitable for Planet KG-SL10 → silver anodised EV1</p>	<p>Prod. code 900454</p>
<p>Planet covering cape to Planet floor guide suitable to Planet KG-SL10 → stainless steel satin anodised</p>	<p>Prod. code 900455</p>
<p>Planet Frame protector plate, type 1 (stainless)</p>	<p>Prod. code 900014</p>
<p>Cut the Planet to fix dimension</p>	<p>Prod. code 900225</p>
<p>Set of Planet cover plates Planet KG</p>	<p>Prod. code 900252</p>

Advertising text



<p>Planet KG+SL10 → RD (smoke-shielding) ≤ 44 dB</p> <p>Automatic door drop-down seal Planet KG-SL10 → RD ≤ 44 dB, unilateral release with parallel drop-down and automatic compensation at inclined floor, protection profile silver anodised EV1 or stainless steel satin anodised, to be attached and glued, seal height from $\downarrow 5 - 18$ mm. Lip from silicone. Protection profile and profile made from aluminum → 25 x 46 mm, incl. cover plate.</p>
--

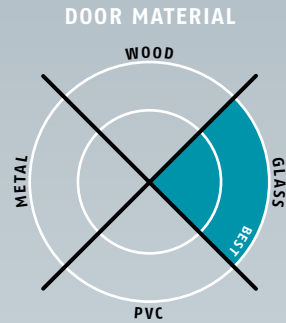
Advertising text



<p>Planet KG+SL10 → FH+RD (fire-retardant + smoke-shielding) ≤ 44 dB</p> <p>Automatic door drop-down seal Planet KG-SL10 → FH+RD ≤ 44 dB, appropriate for fire-retardant and smoke-shielding doors, sound absorption value SK 1-3, unilateral release with parallel drop-down and automatic compensation at inclined floor, protection profile silver anodised EV1 or stainless steel satin anodised, to be attached and glued, seal height from $\downarrow 5 - 18$ mm. Lip from silicone. Protection profile and profile made from aluminum → 25 x 46 mm, incl. cover plate.</p>
--

Planet KG-MinE-S10

→ 34 x 45 / 61mm | ↓ 27 mm | ≤ 27 dB



Main features

- Especially for passive building and low energy houses
- Closed rooms with Ventilation systems / toilet / bathroom
- Air circulation / air equalization
- Seal height up to ↓ 27 mm
- Acoustic insulation up to ≤ 27 dB in case of an optimal sealing
- For one and double leaf folding all-glass doors, glass thickness from 10 mm
- Air passage 200 m³/h
- Readings 30 m³/h at a pressure difference of 3,9 Pa (with door width 1050 mm)
- Planet KG-MinE-S10 to be attached and glued
- For wavy, buckled, hollow, bevelled and uneven floor
- Soft silicone bevel lip seal, perfect for uneven floors
- No trailing on the floor
- 7 years warranty

Versions

- Planet KG-MinE-S10 ≤ 27 dB
- Special versions on request

Surfaces

- Protection profile silver anodised EV1
- Protection profile stainless steel satin anodised

Door types with Planet KG-MinE-S10

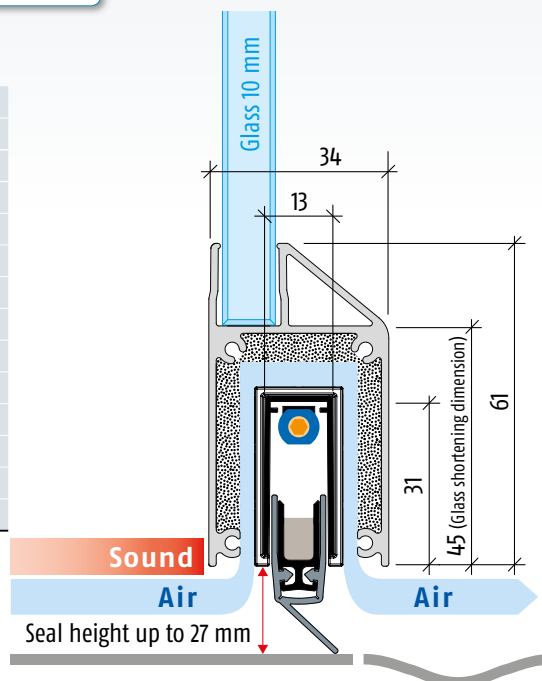


More functions



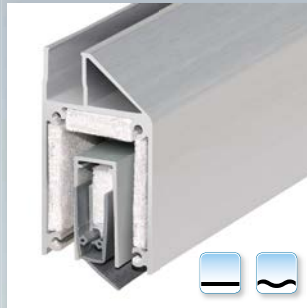
Technical specifications

Profile material	aluminium, → 13 x 30 mm
Channel material	aluminium, → 34 x 61 mm
Seal profile	high-grade silicone or high-grade self-extinguishing silicone
Seal height	up to ↓ 27 mm
Sound absorption value	up to ≤ 27 dB at 7 mm space to the floor
Luftdurchlass	30 m ³ /h at an aeration length of 1050 mm and a pressure difference of 3,9 Pa
Lift height adjustment	on the release knob with an Allen key 3 mm
Lengths in stock	335, 460, 585, 710, 835, 960, 1085, 1210, 1335, 1460 mm
Special lengths	on request up to 2000 mm, sliding doors up to 1600 mm
Release	unilaterally on hinge side
Can be shortened	up to the maximum of 125 mm (335 mm only 115 mm)
Fastening	to be glued
Frame protector plate	stainless, hammer fixed, 20 x 20 mm
Test approvals	on request





Planet KG-MinE-S10, release side



Planet KG-MinE-S10 with channel and insulation



Planet KG-MinE-S10 cover plates



Planet frame protector, type 1

Order specifications

<p>Planet KG MinE-S10 ≤ 27 dB → silver anodised EV1 incl. set of cover plates and frame protector plate, type 1</p>	<p>Prod. code 38xxx-MinE-S10LR*</p>

* xxx = refer to price list for profile length

Accessories | Options

<p>Planet KG MinE-S10 → stainless steel satin anodised (option)</p>	<p>Prod. code 900004</p>
<p>Planet frame protector plate type 1 (stainless); possible type 2/3/4/5 → refer to chapter Accessories Options</p>	<p>Prod. code 900014</p>
<p>Cut the Planet to fix dimension</p>	<p>Prod. code 900225</p>

Advertising text



Planet KG-MinE-S10 ≤ 27 dB

Automatic door drop-down seal **Planet KG-MinE-S10** ≤ 27 dB for sound absorption glass doors with an air passage, especially for uneven floors, release on hinge side and automatic compensation at inclined floor, parallel drop-down, seal height up to $\downarrow 27$ mm, lip from high quality silicone, KG-MinE-S10-channel in silver anodised EV1 or stainless steel satin anodised, to be attached and glued, profiles from aluminum → **13 x 30 mm / 34 x 61 mm**, KG-MinE-S10-channel equipped with sound absorption materials.

Planet drop-down seals

 SWISS MADE



Jet d'eau, Geneva

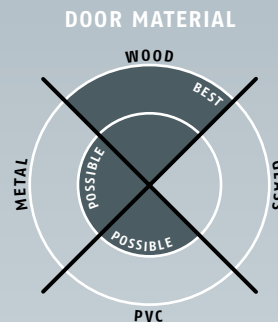
Planet drop-down seals
→ **Special seals / special solutions**

3

Planet ZA	120–121
Planet GH	122–123
Planet BL	124–125
Planet SOCLE	126–127
Planet drop-down seals for uneven floors	128
Planet drop-down seals assembly at the top	129
Glass door with wooden frieze	130
Drop-down seal for folding doors	131
Drop-down seal with 2 sealing levels	132
Planet sliding door solutions	133

Planet ZA (for driving bar rods $\varnothing 10$ mm)

→ 15 x 30 mm | ↓ 22 mm | ≤ 48 dB



Main features

- Perfect for **double leaf doors** with **driving bar rod $\varnothing 10$ mm**, appropriate for **RC 2** and **RC 3**
- for inactive leaf with drill hole or for active and inactive leaf **in pairs** available.
- Seal height up to ↓ **22 mm**
- Acoustic insulation up to ≤ **48 dB** in case of an optimal sealing
- Protected silicone lips since deeper embedded
- Door can be adapted on bottom without removal
- Unilateral and soundless release, silent seal
- Due to parallel drop-down no trailing on the floor
- Automatic compensation at inclined floors
- High-grade silicone lip, simple lift height adjustment
- Can be shortened up to the next shorter length on stock
- No extra need to cut off silicone at both ends
- 7 years warranty

Versions / options

- Planet ZA → **RD** ≤ **48 dB**, smoke-shielding
- Planet ZA → **FH+RD** ≤ **48 dB**, fire-retardant + smoke-shielding
- Silicone lip extended by 8 mm
- Anti-bacterial silicone lip is optional
- Possibility of silicone-free (TPE) execution
- Special versions on request

Door types with Planet ZA



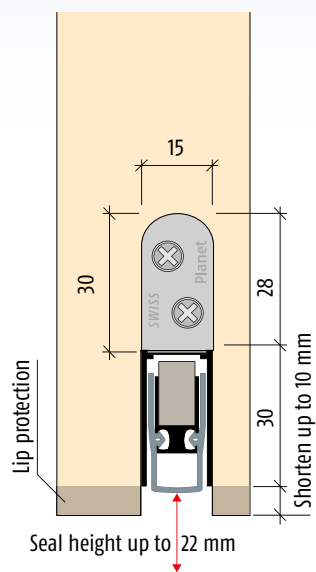
Double leaf doors → refer to chapter Accessories | Flush bolt, drilling

More functions



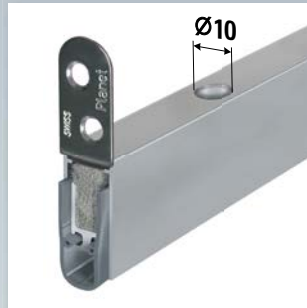
Technical specifications

Profile material	aluminum, → 15 x 30 mm
Groove size	width 15,1 mm with depth 30,5 up to 40 mm
Seal profile	high-grade silicone or high-grade self-extinguishing silicone
Seal height	up to ↓ 22 mm
Sound absorption value	up to ≤ 48 dB at 7 mm space to the floor; up to ≤ 42 dB at 18 mm space to the floor
Lift height adjustment	on the release knob with an Allen key 3 mm
Lengths in stock	335, 460, 585, 710, 835, 960, 1085, 1210, 1335, 1460 mm
Special lengths	on request up to 6000 mm for wing- and sliding doors
Release	unilaterally on hinge side
Can be shortened	up to the maximum of 125 mm (335 mm only 115 mm)
Fastening	on the side with stainless steel angle brackets and screws
Frame protector plate	Stainless, hammer fixed, 20 x 20 mm
Test approvals	on request





Option: Planet ZA with driving bar rod Ø10 mm → refer to chapter Accessories | driving bar rods



Option: Planet ZA with Planet drill hole Ø10 mm for driving bar rod Ø10 mm → refer to chapter Accessories | driving bar rods



Planet assembly set ZA



Option: Planet ZA: silicone lip extended by 8 mm, with fastening brackets, release side

Order specifications

Planet ZA → RD ≤ 48 dB incl. assembly set ZA	Prod. code 100xxx*
Planet ZA → FH+RD ≤ 48 dB incl. assembly set ZA	Prod. code 101xxx*

* xxx = refer to price list for profile length

Accessories | Options

Planet Montageset ZA incl. 2 fastening brackets (stainless), 4 screws and frame protector plate, type 1 (stainless)	Prod. code 900927
Planet frame protector plate type 1 (stainless); possible type 2/3/4/5 → refer to chapter Accessories Options	Prod. code 900014
Cut the Planet to fix dimension	Prod. code 900200
Planet drill hole Ø10 mm for ZA	Prod. code 900926
Planet BM floor strikes → refer to chapter Accessories BM	Prod. code 90034x-x Prod. code 90027x-x

x-x = Several Planet Floor strikes available in different adjustment range refer to chapter Accessories | BM

Advertising text



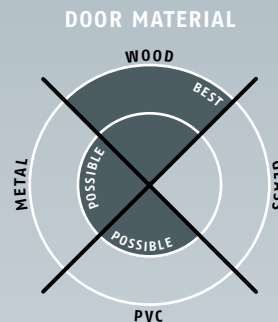
Planet ZA → RD (smoke-shielding) ≤ 48 dB
Automatic door drop-down seal Planet ZA → RD ≤ 48 dB, for sound absorption and smoke-shielding doors, release on hinge side with automatic compensation in case of an inclined floor, parallel drop-down, seal height up to ↓ 22 mm, flush or deeper to put in groove with lip protection. Silicone lip, lateral fastening. Aluminum profile → 15 x 30 mm.

Advertising text



Planet ZA → FH+RD (fire-retardant + smoke-shielding) ≤ 48 dB
Automatic door drop-down seal Planet ZA → FH+RD ≤ 48 dB, for sound protection-, smoke-shielding and fire-retardant doors, release on hinge side with automatic compensation in case of an inclined floor, parallel drop-down, seal height up to ↓ 22 mm, flush or deeper to put in groove with lip protection. Lateral fastening, self-extinguishing silicone lip. Aluminum profile → 15 x 30 mm.

Planet GH → 14 x 47,5 mm | ↓ 42 mm | ≦ 45 dB



Main features

- Seal height ↓ 20 – 42 mm
- Acoustic insulation up to ≦ 45 dB in case of an optimal sealing
- Unilateral and soundless release, silent seal
- Due to parallel drop-down no trailing on the floor
- Automatic compensation at inclined / uneven floors
- For double leaf folding doors with flush bolt or driving bar
- Also suitable for Planet Socle (→ refer to Planet Socle)
- High-grade silicone lip, simple lift height adjustment
- Can be shortened up to the next shorter length on stock
- No extra need to cut off silicone at both ends
- 7 years warranty

Versions / options

- With Socle profile for later fastening → on request
- Possibility of lateral fastening brackets → refer to chapter Accessories | Options
- Planet Drill hole $\varnothing 5 \times 13$ mm (observe «paddle length» of the circular bar)
- Special versions on request

Door types with Planet GH



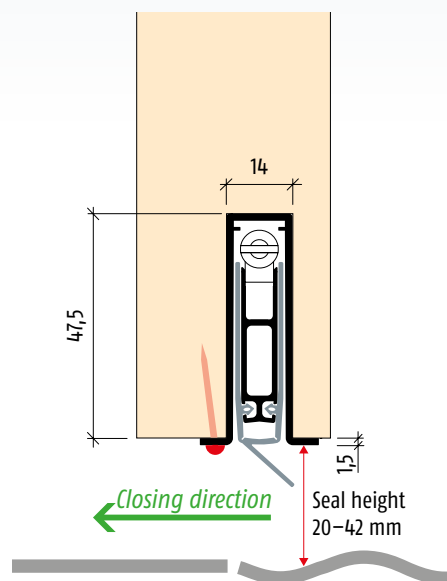
Double leaf doors → refer to chapter Accessories | Flush bolt, drilling

More functions



Technical specifications

Profile material	Aluminum, → 14 x 47,5 mm
Groove size	width 14,1 mm with depth 48 mm
Seal profile	high quality silicone
Seal height	↓ 20 – 42 mm
Sound absorption value	up to ≦ 45 dB at 20 mm space to the floor
Lift height adjustment	on the release knob with screwdriver
Lengths	400 – 6000 mm on fix measure
Release	unilaterally on hinge side
Can be shortened	up to the maximum of 100 mm
Fastening	from bottom with screws or nails furnished by customer
Frame protector plate	Stainless, hammer fixed, 20 x 20 mm
Test approvals	on request



Versions | Options | Accessories



Profile Planet GH



Planet GH profile, release side



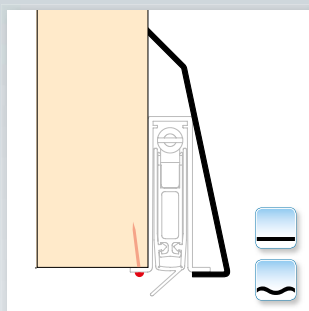
Option: Planet GH with round lip



Option: Planet GH with lateral fastening (same as Planet HS)



Option: Planet GH with Planet drill hole $\varnothing 5 \times 13$ mm and driving bar rod → refer to chapter Accessories | driving bar rods



Option: Planet Socle for Planet GH → on request



Accessories: Planet frame protector plate, type 1 (stainless), 20 x 20 mm

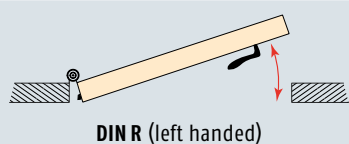
Order specifications

Planet GH → RD ≤ 45 dB
including frame protector plate, type 1, with details of length and DIN direction

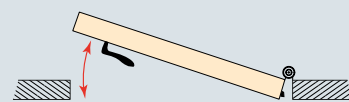
Prod. code
27200 per meter

Planet GH → FH+RD ≤ 45 dB
including frame protector plate, type 1, with details of length and DIN direction

Prod. code
27201 per meter



DIN R (left handed)



DIN L (right handed)

Accessories | Options

Planet frame protector plate
type 1 (stainless); possible type 2/3/4/5
→ refer to chapter Accessories | Options

Prod. code 900014

Planet drill hole $\varnothing 5 \times 13$ mm
incl. plastic guide;
Order specifications → refer to chapter drilling

Prod. code 900601

Planet Socle GH
for bottom mounting

Prod. code 900438

Planet GH sliding door
including frame protector plate, type 1, on request; with details of length and DIN direction

Auxiliary for lateral fastening
for bottom mounting, on request

Prod. code 900451

Planet BM floor strikes
→ refer to chapter Accessories | BM

Prod. code 90034x-x
Prod. code 90027x-x

x-x = Several Planet floor strikes available in different adjustment range refer to chapter Accessories | BM

Advertising text



Planet GH → RD (smoke-shielding) ≤ 45 dB

Automatic door drop-down seal **Planet GH → RD ≤ 45 dB**, for sound protection and smoke-shielding doors, for doors and large doors, release on hinge side with automatic compensation in case of an inclined floor, parallel drop-down, seal height up to $\downarrow 42$ mm, flush to put in groove, lip from silicone, fastening on the bottom. Aluminum profile → **14 x 47,5 mm**.

Advertising text

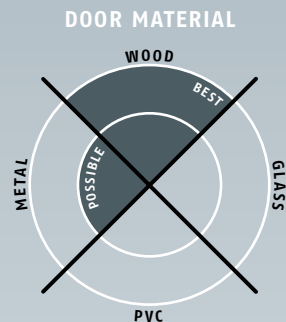


Planet GH → FH+RD (fire-retardant + smoke-shielding) ≤ 45 dB

Automatic door drop-down seal **Planet GH → FH+RD ≤ 45 dB**, for sound protection-, smoke-shielding and fire-retardant doors, for doors and large doors, release on hinge side with automatic compensation in case of an inclined floor, parallel drop-down, seal height up to $\downarrow 42$ mm, flush to put in groove, self-extinguishing silicone lip, fastening on the bottom. Aluminum profile → **14 x 47,5 mm**.

Planet BL (Radiation protection)

→ 13 x 39 mm | ↓ 18 mm | ≪ 31 dB



Main features

- Seal height up to ↓ 18 mm
- Appropriate for radiation protection doors
- Unilateral and soundless release, silent seal
- Due to parallel drop-down no trailing on the floor
- Automatic compensation at inclined floors
- Simple lift height adjustment
- Produced on fix measure from 335 up to 6000 mm
- 7 years warranty

Versions / options

- With lead lining from 0,5 up to 4 mm (choose same lead thickness as in the door)
- Prepared with drilling $\varnothing 5 \times 13$ mm (only possible with lead lining up to 2 mm, min. length 400 mm)

Door types with Planet BL



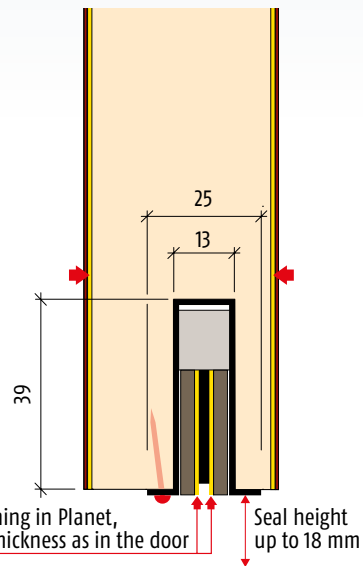
Double leaf doors → refer to chapter Accessories | Flush bolt, drilling

More functions



Technical specifications

Lead lining	0,5 1,0 1,5 2,0 3,0 4,0 mm (choose same lead thickness as in the door)
Profile material	Aluminum, → 13 x 39 mm
Groove size	□ width 13,1 mm with depth 40 mm
Seal height	up to ↓ 18 mm
Lift height adjustment	on the release knob with an Allen key 3 mm
Lengths	335–6000 mm on fix measure per meter
Release	unilaterally on hinge side
Can be shortened	yes, on request only
Fastening	unilaterally from the bottom with nails / screws available with customer
Frame protector plate	Stainless, hammer fixed, 20 x 20 mm
Test approvals	on request





Profile Planet BL



Option: Planet BL with Planet drill hole $\varnothing 5 \times 13$ mm for flush bolt (only possible with lead lining up to 2 mm, min. length 400 mm), driving bar rods → refer to chapter Accessories | driving bar rods



Accessories: Planet frame protector plate, type 1 (stainless), 20 x 20 mm

For radiation protection doors with lead lining from 0,5 mm up to 4 mm

Order specifications

Planet BL → 0,5 mm including frame protector plate, type 1	Prod. code 26005 per meter
Planet BL → 1,0 mm including frame protector plate, type 1	Prod. code 26010 per meter
Planet BL → 1,5 mm including frame protector plate, type 1	Prod. code 26015 per meter
Planet BL → 2,0 mm including frame protector plate, type 1	Prod. code 26020 per meter
Planet BL → 3,0 mm including frame protector plate, type 1	Prod. code 26030 per meter
Planet BL → 4,0 mm including frame protector plate, type 1	Prod. code 26040 per meter

Accessories | Options

Planet frame protector plate type 1 (stainless); possible type 2/3/4/5 → refer to chapter Accessories Options	Prod. code 900014
--	-------------------

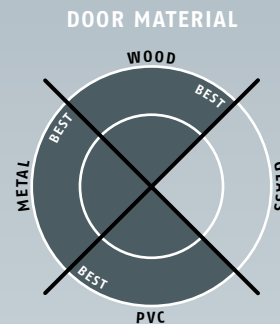
Advertising text



Planet BL

Automatic door drop-down seal **Planet BL**, for acoustic insulation and radiation protection doors. Release on hinge side with automatic compensation in case of an inclined floor, seal height up to **↓ 18 mm**, flush at bottom to put in groove. With lead lining from **→ 0,5 up to 4,0 mm**. Fastening on the bottom, Aluminum profile **→ 13 x 39 mm**.

Planet Socle → 22 x 69 mm



Main features

- Appropriate for Planet FT, RF, GH (Option)
- Ideal retrofit kit for existing doors
- Simple assembly, attached on the doors
- The Planet Socle is used on any door without possibility to machine a groove, e.g. steel or aluminum doors. A quick and simple assembly, it can be done even in case of an old building refurbishment.
- 7 years warranty

Versions / options

- Surface silver anodised EV1
- Special Socle for Planet GH version special steel on request

Door types with Planet Socle

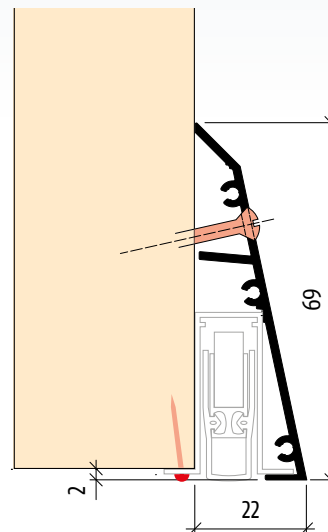


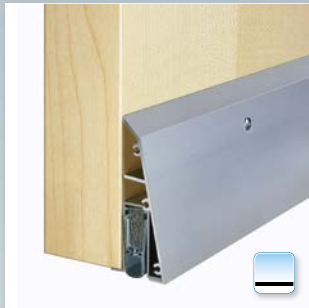
More functions



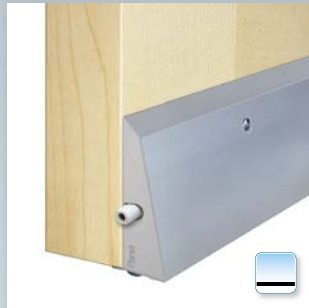
Technical specifications

Profile material	Aluminum, → 22 x 69 mm
Color	Silver anodised EV1
Lengths in stock	550, 650, 750, 850, 950, 1050, 1150, 1250, 1350, 1450 mm
Special lengths	on request up to 6000 mm
Can be shortened	up to the maximum of 100 mm
Fastening	laterally by the enclosed screws, the fastening holes in the Planet Socle are prepared
Test approvals	on request

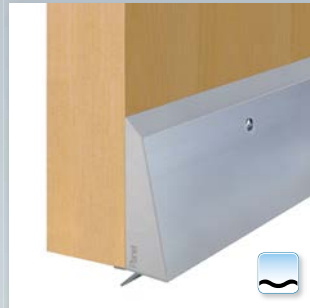




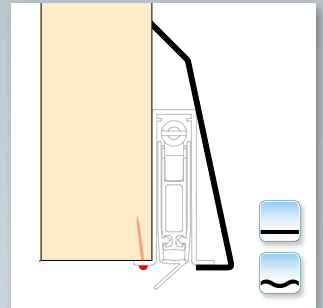
Planet Socle with profile Planet FT 13x30 mm, with cover plate



Planet Socle with cover plate, release knob and Planet FT profile 13x30 mm



Planet Socle with cover plate and Planet RF profile 13x30 mm, bevel lip



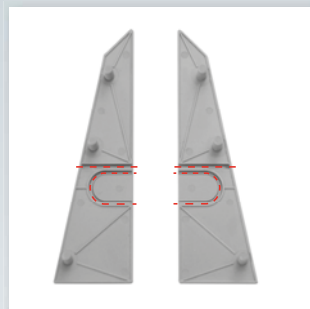
Option: Planet Socle for Planet GH 14x47,5 mm (on request)



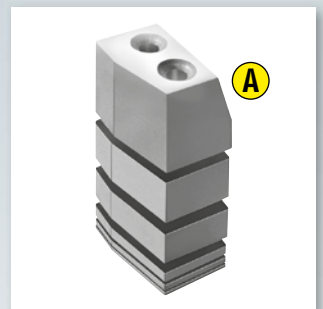
Planet Socle, profile



Planet set of covering plates, appropriate to Planet Socle

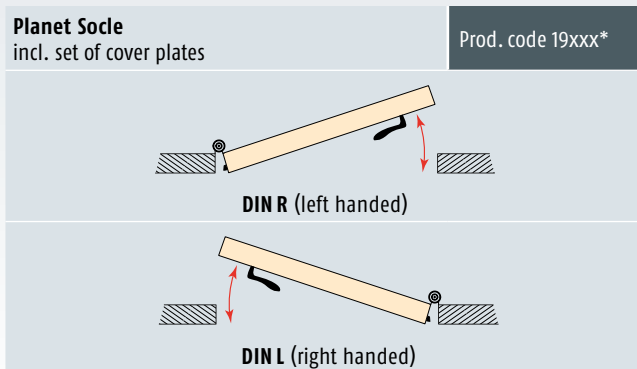


Cover plates with marked predetermined breaking points



Accessories: Planet stopping block (Assembly see below)

Order specifications



* xxx = refer to price list for profile length

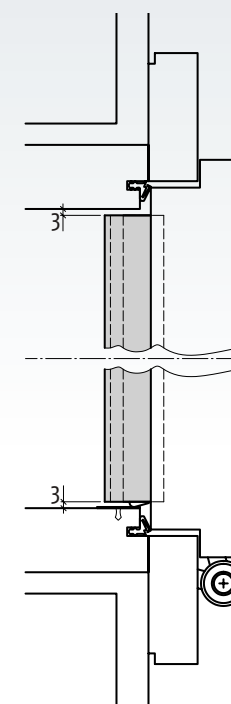
Accessories | Options

Planet Socle set of cover plates incl. 2 cover plates and 4 screws	Prod. code 19010
Planet stopping block 1 set, DIN L and DIN R applicable	Prod. code 900424
Planet Socle GH for Planet GH 400 – 6000 mm	Prod. code 900438

Advertising text

Planet Socle
Planet Socle for new and existing doors, laterally screwed down.

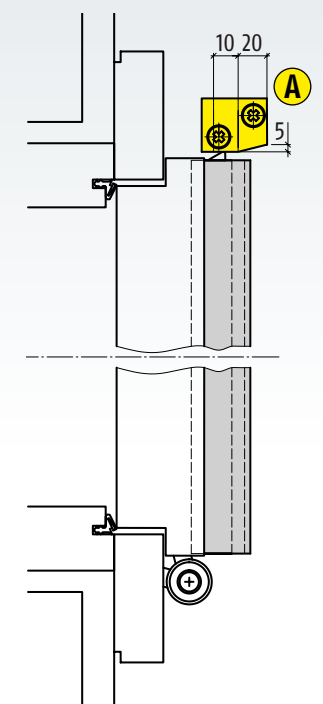
A: Assembly outside



Standard version

Accumulating point: Band side on foil on the frame

B: Assembly inside



In special cases

Accumulating point: Lock side on auxiliary block with approach ramp min. 5 x 20 mm. End position trigger on level ± 5

Planet drop-down seals for uneven floors

→ Appropriate for one and double leaf folding doors made from wood, aluminum, plastic and metal as well as sliding doors and accordion type walls

For especially uneven floors

- Planet types Planet **RH, RF, MinE** and **RF** with **Socle** are appropriate
- All Planet types with **option bevel lip** are appropriate



Uneven floor

For crooked floors

- All Planet types with a **round** or **bevel lip** are appropriate



Crooked floor



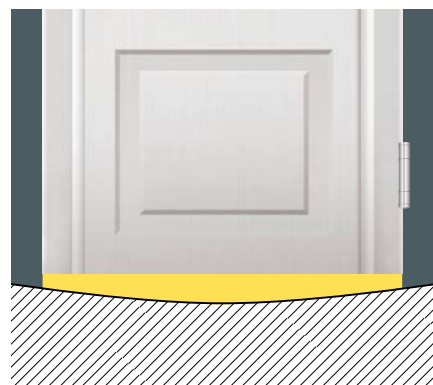
Crooked floor

For concave and convex floors

- Planet types Planet **RH, RF, MinE** and **RF** with **Socle** are appropriate
- All Planet types with **option bevel lip** are appropriate

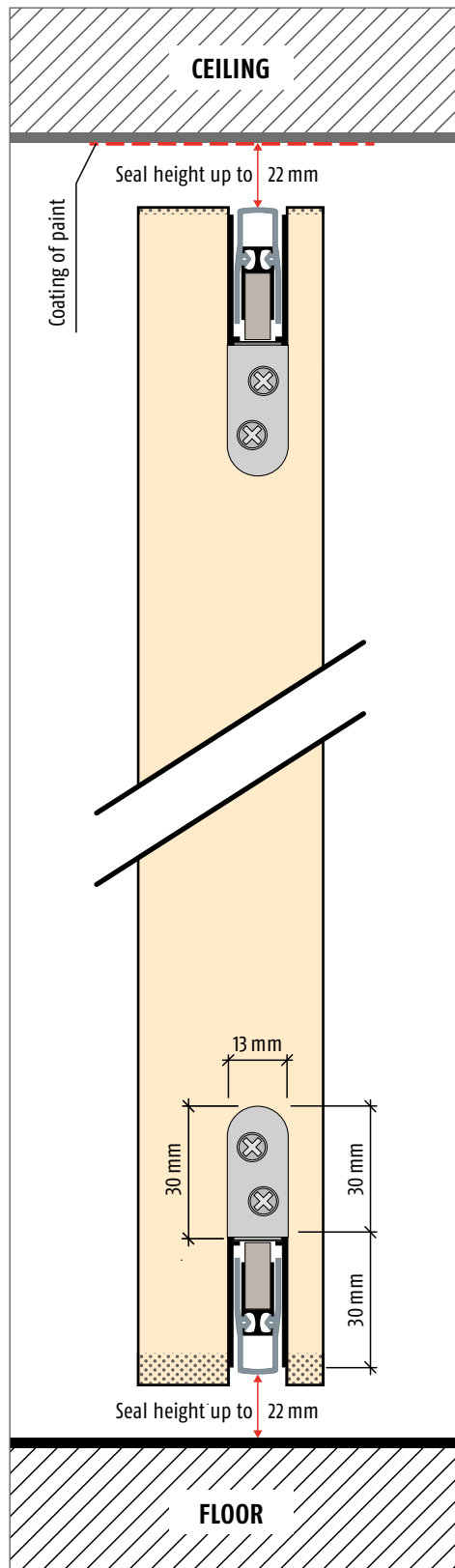


Convex floor



Concave floor

Planet drop-down seals assembly at the top



Example with Planet HS drop-down seal

To observe

- The Planet silicone lip leaves no traces, but the last coating of paint on the ceiling in the zone of the seal must be smooth and non-abrasive. It is highly recommended that the **color of the ceiling is not white** (dust accumulation possible).
- The Planet drop-down seals of all kinds are appropriate for the assembly at the top.

Order specifications

- **Option:** assembly at the top

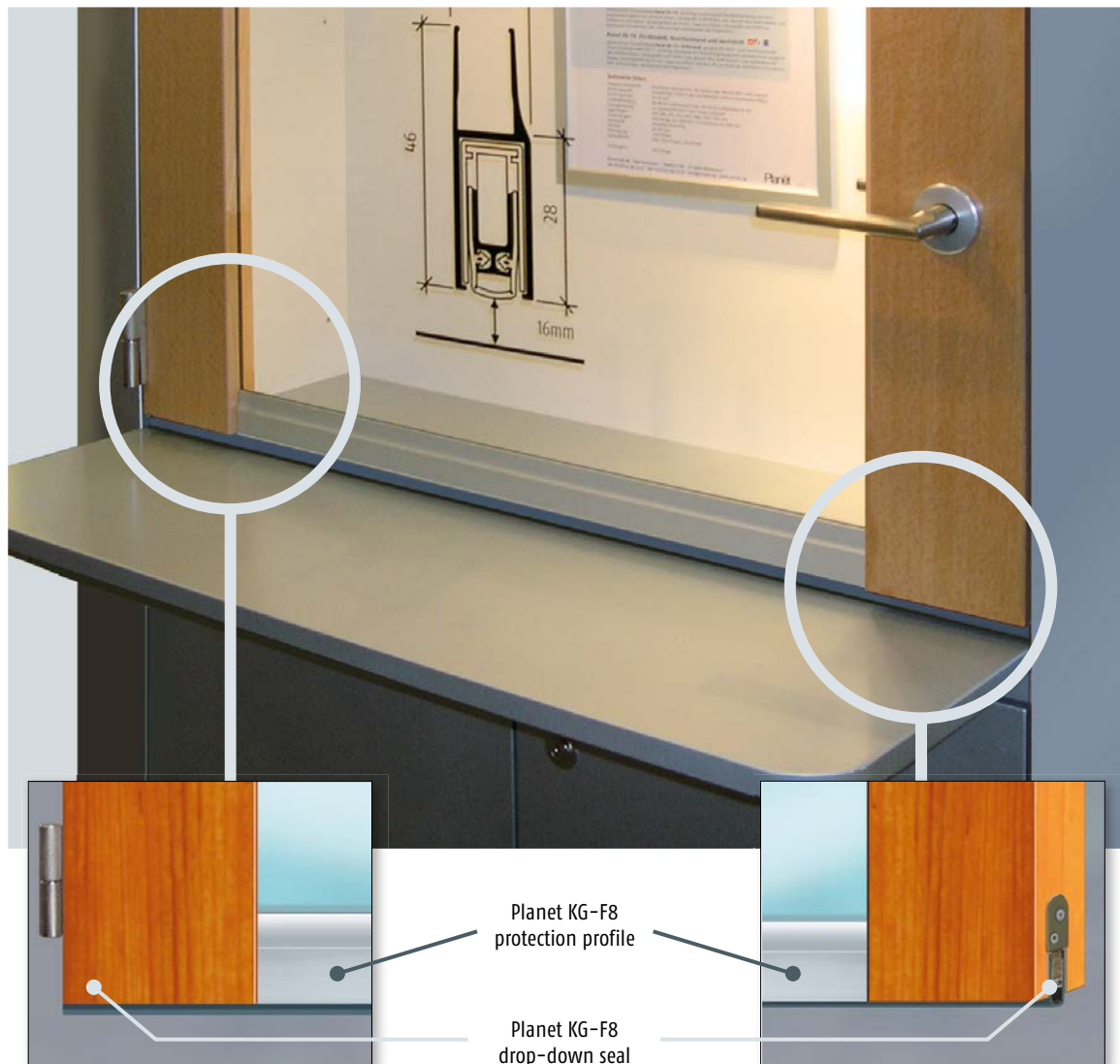
Example:

Planet type	Prod. code	Option
HS	76xxx*	assembly at the top

* xxx = refer to price list for profile length

Glass door with wooden frieze → profile dim. 16,5 x 46 mm

Example: glass doors with wooden strip and continuous drop-down seal



Detailed view of hinge side

- Planet KG continuous drop-down seal
- 8 mm glass section with Planet KG-F8 and protection profile
- Fair separation between glass and wood section

Detailed view of lock side

- Continuous drop-down seal
- Fastening with assembly set HS
- The solution for glass and wood section



Planet drop-down seal KG-F8 and protection profile KG-F8

- Solution possible with Planet KG-F8 | F10, KG-D8 | D10 and KG-U (refer to chapter drop-down seals | glass)

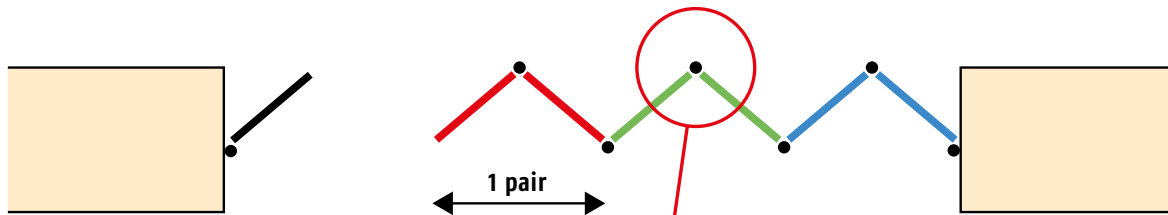
Drop-down seal for folding doors

→ Example with two Planet HS drop-down seals

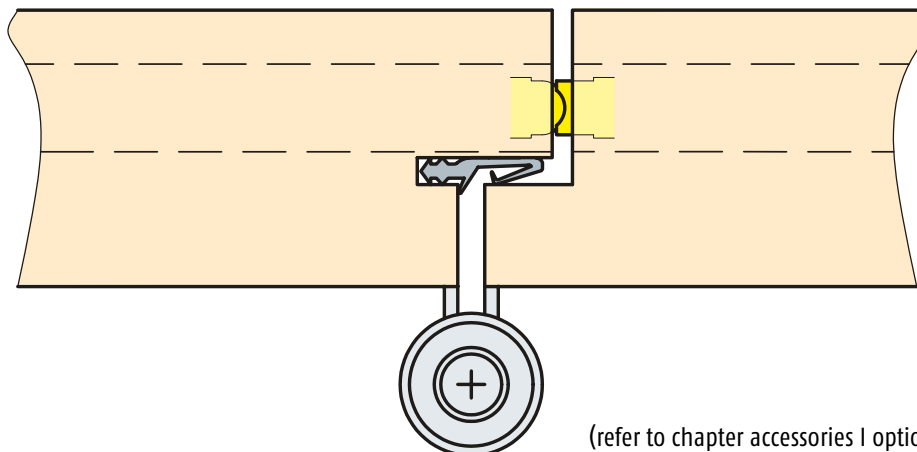
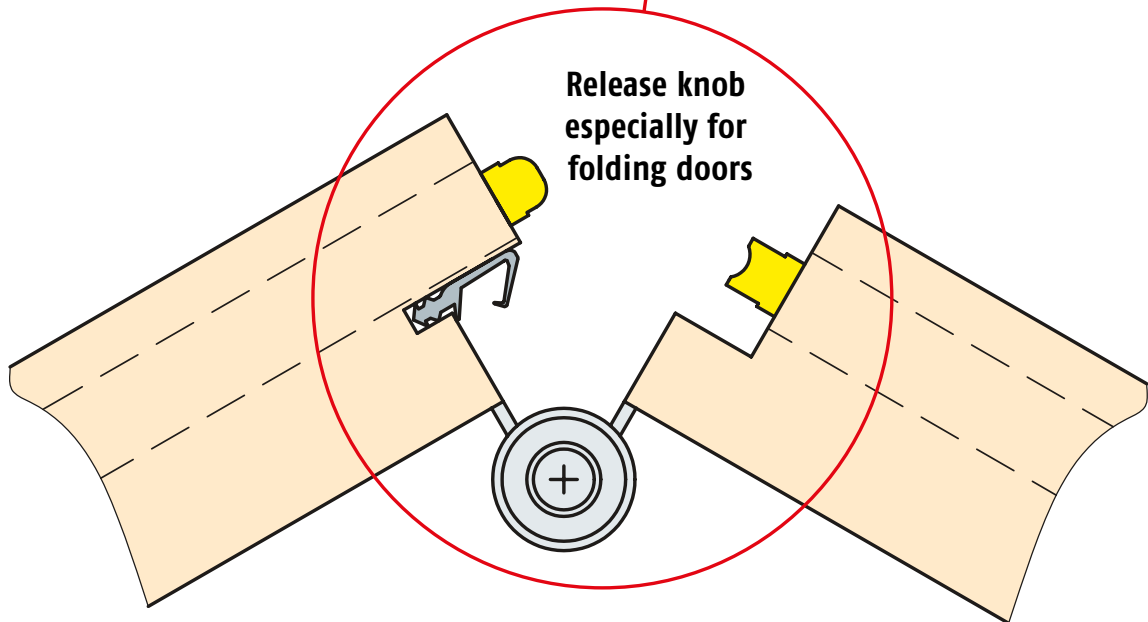
Execution

GG is available for all Planet types (Planet FT, HS a.s.o.), in pairs with mutual lift height release, the running wing in the frame.

Order specification: _____ number of pairs with lengths (fixed measure)



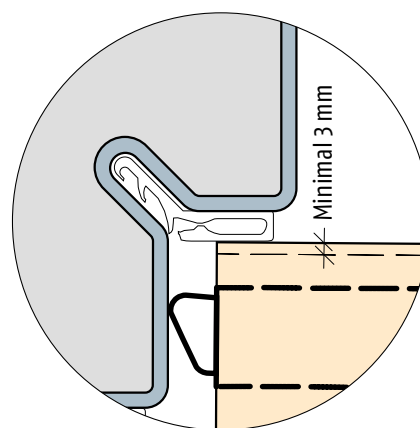
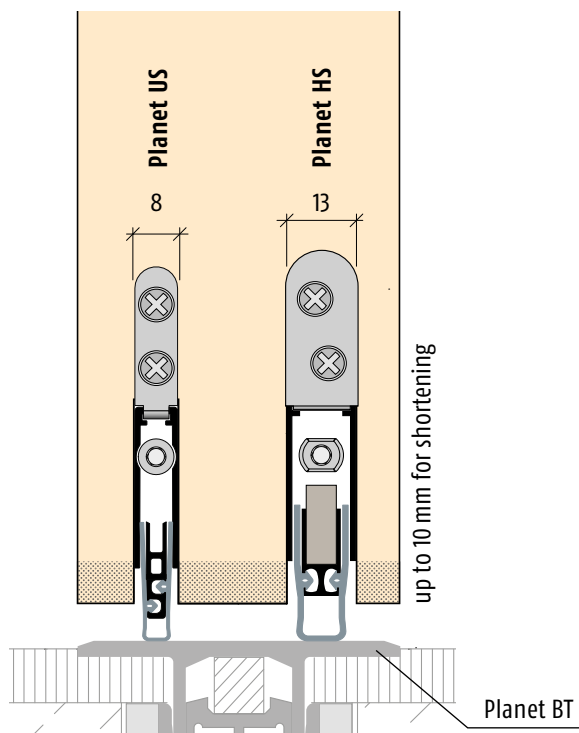
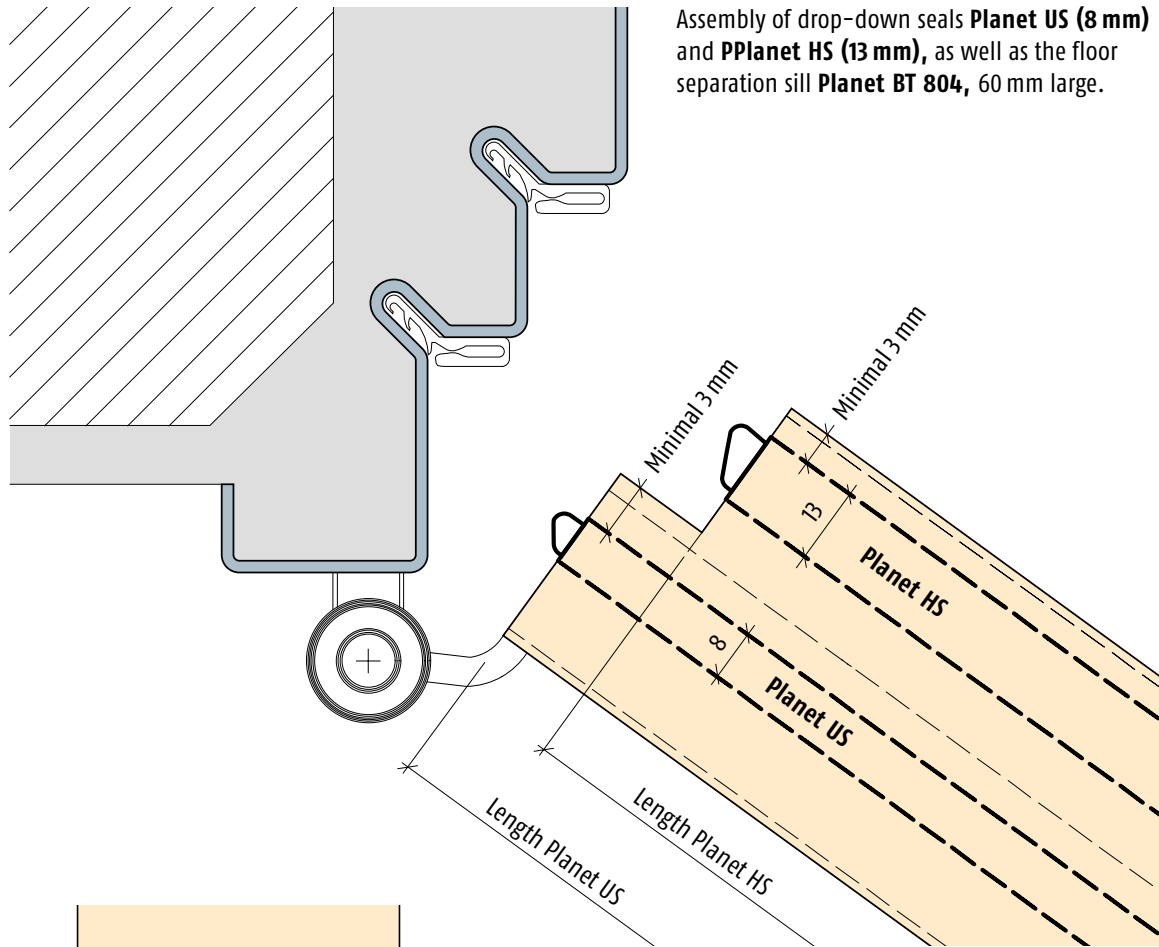
Drop-down seal: mutual release in pairs



(refer to chapter accessories | options, folding doors)

Drop-down seal with 2 sealing levels

→ Example with Planet US and Planet HS drop-down seals



For the best sound reduction:
Small offset between Planet seal and frame seal

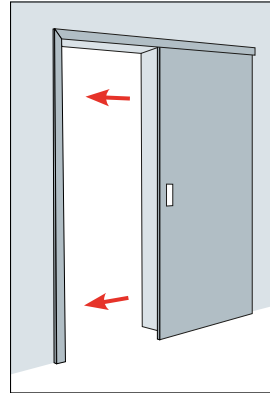
Planet sliding door solutions

Main features

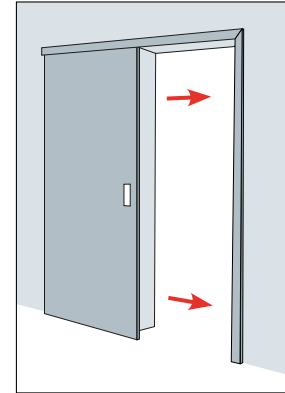
- Same geometry as for double leaf / folding doors
- Parallel drop-down
- Same characteristics as double leaf / folding doors
- Especially smooth release
- Flat release knob
- Simple lift height adjustment
- Warranty 7 years

To consider:

- Plan with a door holding device from customer (e.g. HAWA, etc.)
- DIN L / DIN R



DIN left
Sliding door to the left
(like example above)
= DIN left

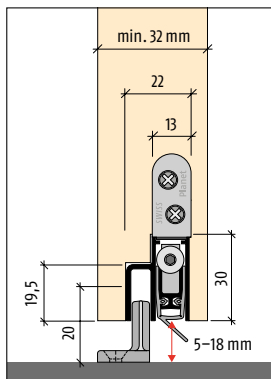


DIN right
Sliding door to the right
(like example above)
= DIN right

Sliding door solutions up to 6000 mm length

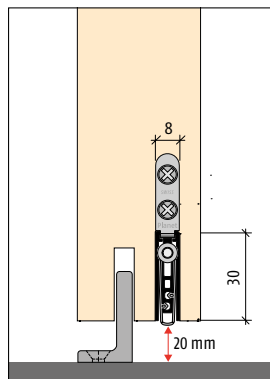
Planet SL

→ 16,5 x 30 mm



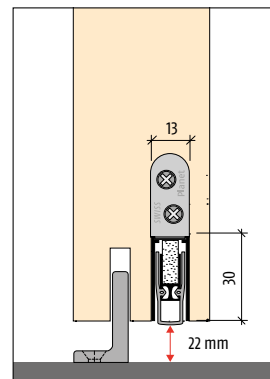
Planet US

→ 16,5 x 30 mm



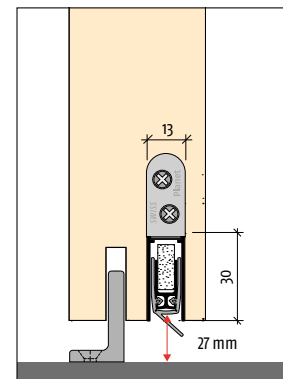
Planet HS

→ 13 x 30 mm



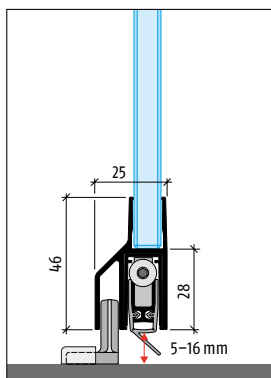
Planet RH

→ 13 x 30 mm



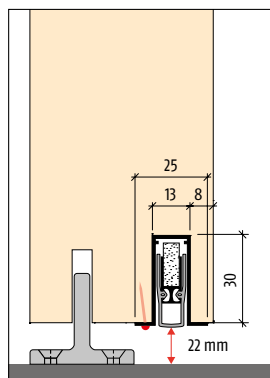
Planet KG-SL10

→ 25 x 46 mm



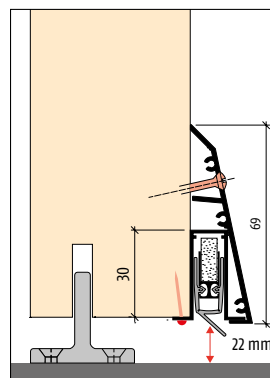
Planet FT

→ 13 x 30 mm



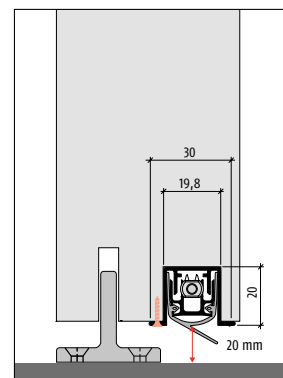
Planet RF with Socle

→ 16,5 x 30 mm



Planet PU

→ 19,8 x 20 mm



For sliding doors best: bevel lip, possible: round lip.
The variant Planet socle is ideal for the problem-free retrofit of existing doors.

Planet^{swiss}® news

Planet BM-R floor recess plates – different types and sizes (spring-loaded dust protection cap!)

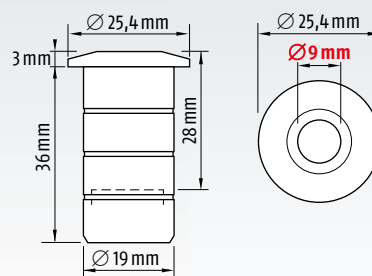
NEW



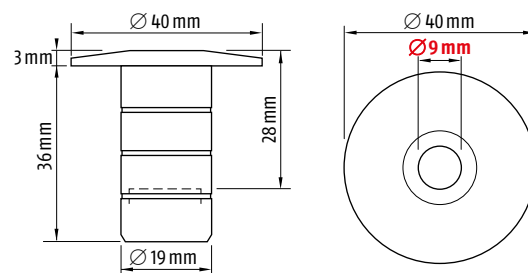
Scale 3:1



Planet BM-R Ø 9 / 25 mm



Planet BM-R Ø 9 / 40 mm



Planet BM-R floor recess plate

→ Chapter 4, accessories, pages 164–169

Planet **KR flush bolt** 136 | Planet **Drill hole** 138 | Planet **TR 125 double-shortening** 144
Driving bar rods 145 | Planet **BM floor recess plates** 156 | Planet **F threshold plate** 170
Planet **BT floor separation threshold** 172 | Accessories / Options 174

Accessories

4

Technique

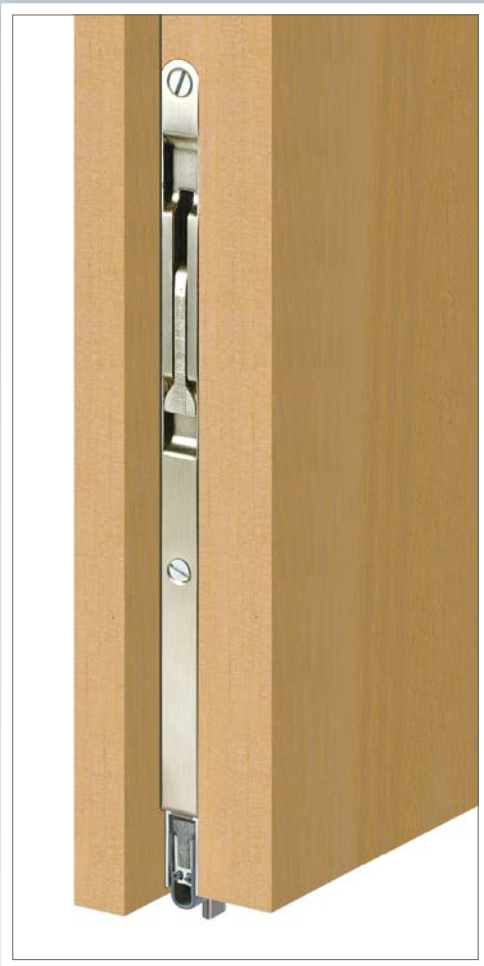
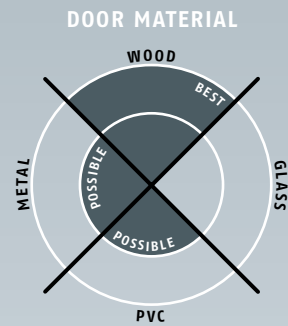
5

Advertising material

6

Planet KR flush bolt

→ for profile dimension 13 and 20 mm



Main features

- Continuous drop-down seal Planet
- Sound protection
- Appropriate for Planet profile dimension 13 and 20 mm
- With integrated plastic guide
- Execution for DIN L and DIN R
- Planet drop-down seal prepared to fix dimension
- Adjustable locking bolt
- 7 years warranty

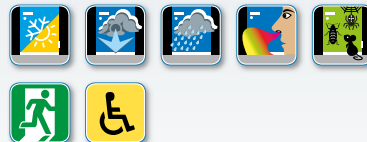
Versions

- Length x width x depth:
 - Round lock plate: 250 x 15 x 15 mm
 - Angular lock plate: 250 x 18 x 17 mm (on request)
- Surface:
 - brushed, mat nickel-plated
- Lock plate shape:
 - 15 mm = round
 - 18 mm = angular (on request)



Door types with Planet KR

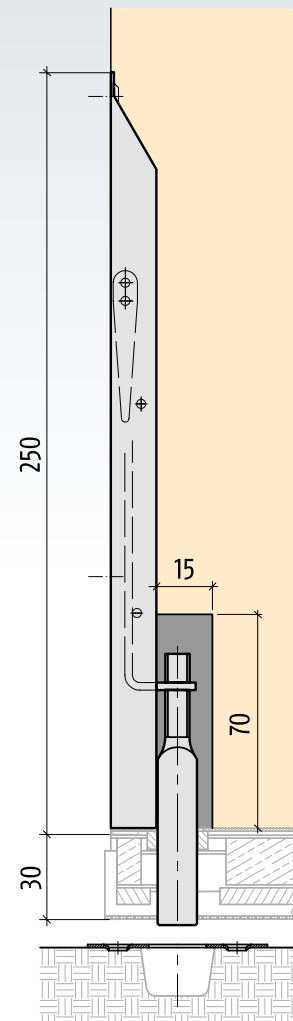


More functions



Technical specifications

Material	Steel sheet
Surface	brushed, mat nickel-plated
Dimensions	Round lock plate: Length x width x depth: 250 x 15 x 15 mm 
	Angular lock plate (on request): Length x width x depth: 250 x 18 x 17 mm 
Lift height of bolt	up to 15 mm
Adjustment of bolt lift height	-10 mm / +15 mm
Door seal	DIN L or DIN R





Planet KR flush bolt, incl. strike plate
Driving bar rods flattened
 → see pages 145 – 155



Strike plate up and down



Accessories: Planet BM floor recess plate (several)



Accessories: Planet **BM-R** Ø15/40 mm floor recess plate



Option: Planet MF with Planet Drill hole Ø5 x 13 mm and KR flush bolt



Option: Planet HS with Planet Drill hole Ø5 x 13 mm and KR flush bolt

Order specifications

Planet KR flush bolt below incl. strike plate, width 15 mm	Prod. code 4010
Planet KR flush bolt below incl. strike plate, width 18 mm	Prod. code 4020
Planet KR flush bolt on top incl. strike plate, width 15 mm	Prod. code 4011
Planet KR flush bolt on top incl. strike plate, width 18 mm	Prod. code 4021
Attention: Order the drop-down seal with fix dimension and DIN L or DIN R	

Accessories | Options

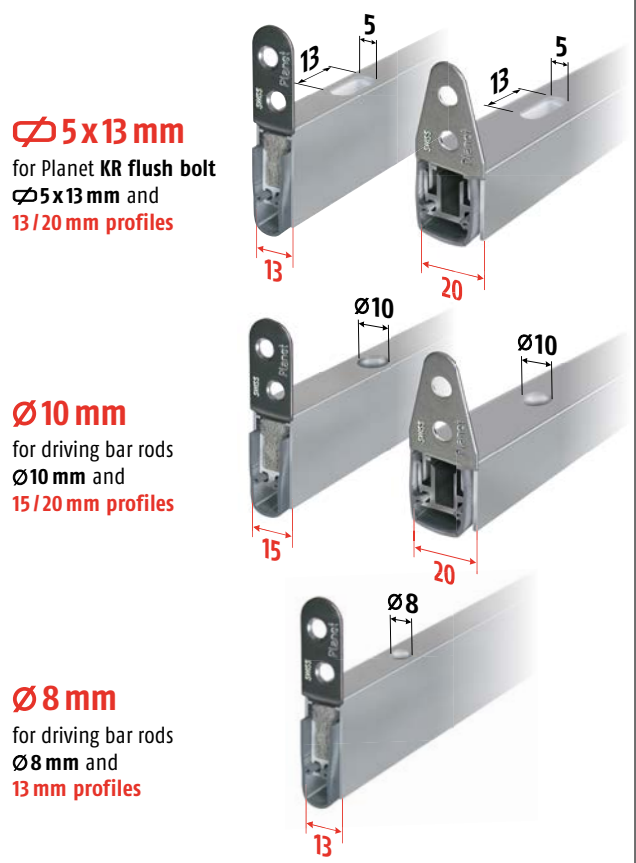
Planet strike plate down suitable for flush bolt Ø5 x 13 mm	Prod. code 900278
Planet strike plate up suitable for flush bolt	Prod. code 900330
Planet Drill hole Ø5 x 13 mm → refer to chapter drilling	Prod. code 900190
Planet BM floor recess plates → refer to chapter BM	Several

Advertising text



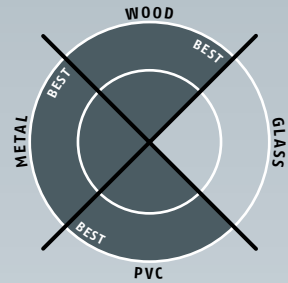
Planet KR flush bolt
Planet KR flush bolt, width 15/18 mm, appropriate for Planet profile dimensions 13 and 20 mm, bolt cross section Ø5 x 13 mm, adjustable in length, for continuous sealing lips, with lever.

What drill hole fits which profile widths?



Planet Drill hole Ø 8 mm

→ for profile dimension 13 mm



Main features

- Drill hole → Ø 8 mm
- For driving bar rods
- For double leaf doors
- Continuous Planet drop-down seal
- Sound protection
- Appropriate for Planet HS, RH, FT and RF
- For back set from 20 up to 100 mm
- Prepared to fix dimension
- 7 years warranty

Accessories

- for lock supplier refer to technical data-sheets of the lock manufacturers: e.g.



→ see pages 137 to 145

Applicable for

- smoke-shielding
- fire-retardant and smoke-shielding

Door types with Planet Drill hole Ø 8 mm

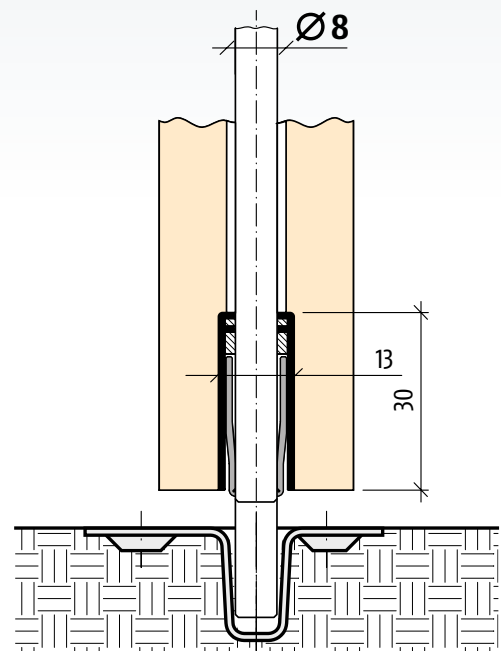
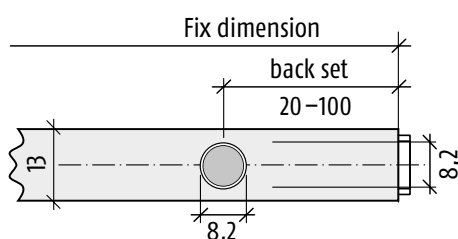


Technical specifications

Cross section of rod	→ Ø 8 mm
Back set	20–100 mm, end of seal until center of hole
Rod supplier	For lock supplier refer to the technical data sheets of the lock manufacturers, e.g. Wilka, BKS, FUHR, BMH, MSL, etc.

Calculation of the shortest seal length with a drilling

- 220 mm + back set + 15 mm = shortest length





Planet HS with Planet drill hole
Ø 8 mm for driving bar rods



Planet RH with Planet drill hole
Ø 8 mm for driving bar rods



Planet FT with Planet drill hole
Ø 8 mm for driving bar rods



Planet RF with Planet drill hole
Ø 8 mm for driving bar rods



Accessories: floor recess plate
Planet BM-R Ø 9 / 25 mm
→ refer to chapter BM



Accessories: floor recess plate
Planet BM-R Ø 9 / 40 mm
→ refer to chapter BM

Order specifications

Planet Drill hole Ø 8 mm	Prod. code 900866
Fix dimension of the Planet length	
Back set 20–100 mm	
Attention: Order the drop-down seal with fix dimension	

Accessories | Options

Planet BM floor recess plates → refer to chapter BM	Several
--	---------

Advertising text

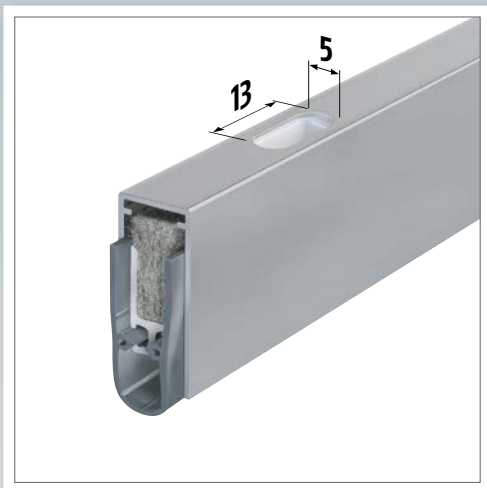


Planet Drill hole Ø 8 mm for drill bar rod available with customer

Planet Drill hole Ø 8 mm, for round end drill bar rod available with customer.

Planet Drill hole $\varnothing 5 \times 13 \text{ mm}$

→ for profile dimension 13 and 20 mm



Main features

- Drill hole → $\varnothing 5 \times 13 \text{ mm}$, including plastic guide
- The driving bar rod is protected against self-rotation
- For driving bar rods or Planet flush bolt
- For double leaf doors
- Continuous Planet drop-down seal
- Sound protection
- Integrated, narrow and space-saving solution
- Drive bar rod protected against self-rotation / unlocking
- Appropriate for Planet profile dimension 13 and 20 mm
- Execution for DIN L and DIN R
- For back set from 20 up to 100 mm
- Prepared to fix dimension
- 7 years warranty

Accessories

- The rods/bars are furnished by the lock manufacturers: refer to the technical data sheets from



→ see pages 137 to 145

Applicable for

- smoke-shielding
- fire-retardant and smoke-shielding

Door types with Planet Drill hole $\varnothing 5 \times 13 \text{ mm}$

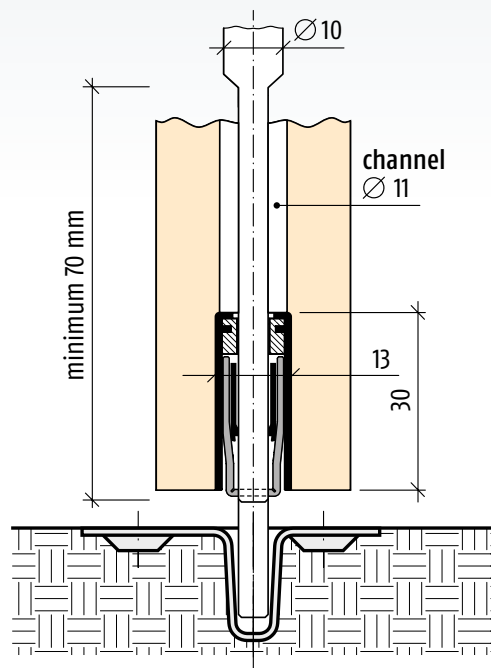
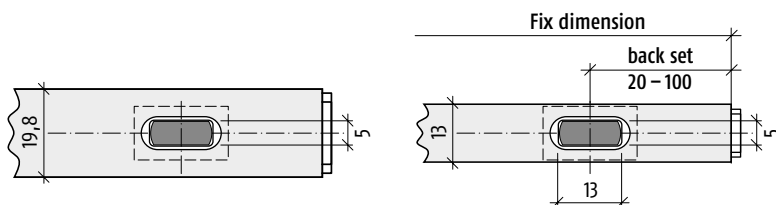


Technical specifications

Cross section of rod	Aluminum, → $5 \times 13 \text{ mm}$, rounded angles, length min. 70 mm
Back set	20–100 mm, end of seal until center of hole
Rod guide	Integrated plastic insert
Door seal	DIN L or DIN R
Rod supplier	For lock supplier refer to the technical data sheets of the lock manufacturers, e.g. Wilka, BKS, FUHR, BMH, MSL, etc. → refer to chapter driving bar rods

Calculation of the shortest seal length with a drilling

- $220 \text{ mm} + \text{back set} + 15 \text{ mm} = \text{shortest length}$





Planet HS with Planet drill hole $\varnothing 5 \times 13 \text{ mm}$ for driving bar rods



Planet FT with Planet drill hole $\varnothing 5 \times 13 \text{ mm}$ for driving bar rods



Planet MinE with Planet drill hole $\varnothing 5 \times 13 \text{ mm}$ for driving bar rods



Planet R0 with Planet drill hole $\varnothing 5 \times 13 \text{ mm}$ for driving bar rods



Planet PU with Planet drill hole $\varnothing 5 \times 13 \text{ mm}$ for driving bar rods



Planet MF with Planet drill hole $\varnothing 5 \times 13 \text{ mm}$ and driving bar rod
→ refer to chapter Accessories | driving bar rods



Accessories: Planet BM 5x13 mm narrow floor recess plate
→ refer to chapter BM



Accessories: Planet BM 5x13 mm floor recess plate
→ refer to chapter BM



Accessories: floor recess plate Planet BM-R $\varnothing 15 / 25 \text{ mm}$
→ refer to chapter BM



Accessories: floor recess plate Planet BM-R $\varnothing 15 / 40 \text{ mm}$
→ refer to chapter BM

Order specifications

Planet Drill hole $\varnothing 5 \times 13 \text{ mm}$ including plastic guide	Prod. code 900190
Fix dimension of the Planet length	
Back set 20–100 mm	
Attention: Order the drop-down seal with fix dimension and DIN L or DIN R	

Accessories | Options

Planet KR flush bolt → refer to chapter flush bolt	Several
Planet BM recess plates → refer to chapter BM	Several

Advertising text

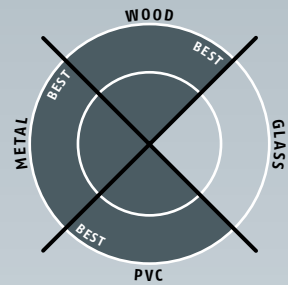


Planet Drill hole $\varnothing 5 \times 13 \text{ mm}$

Planet Drill hole $\varnothing 5 \times 13 \text{ mm}$, including plastic guide in the Planet drop-down seal for narrow driving bar rod available from customer or Planet flush bolt. The driving bar rod is protected against self-rotation.

Planet Drill hole $\varnothing 10$ mm

→ for profile dimension 15 and 20 mm



Main features

- Drill hole → $\varnothing 10$ mm
- For driving bar rods or Planet flush bolt
- For double leaf doors
- Continuous Planet drop-down seal
- Sound protection
- Appropriate for Planet MF, RO and PU
- Execution for DIN L and DIN R
- For back set from 20 up to 100 mm
- Prepared to fix dimension
- 7 years warranty

Accessories

- The rods/bars are furnished by the lock manufacturers: refer to the technical data sheets from



→ see pages 137 to 145

Applicable for

- smoke-shielding
- fire-retardant and smoke-shielding

Door types with Planet Drill hole $\varnothing 10$ mm

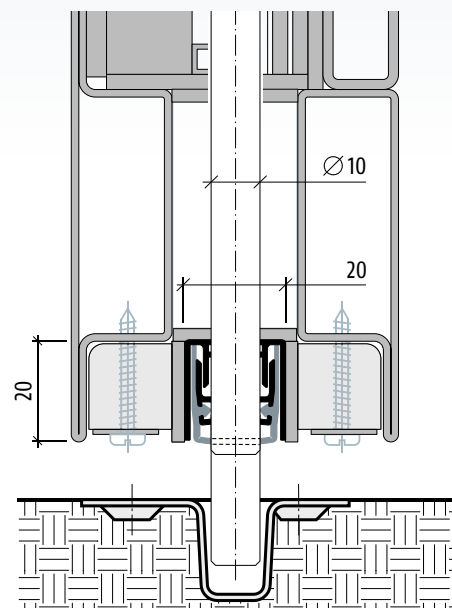
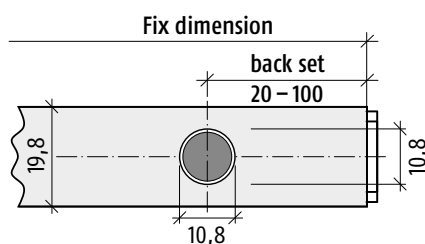


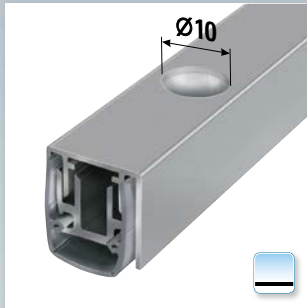
Technical specifications

Cross section of rod	→ $\varnothing 10$ mm
Back set	20–100 mm, end of seal until center of hole
Door seal	DIN L or DIN R
Rod supplier	For lock supplier refer to the technical data sheets of the lock manufacturers, e.g. Wilka, BKS, FUHR, BMH, MSL, etc. → refer to chapter driving bar rods

Calculation of the shortest seal length with a drilling

- 220 mm + back set + 15 mm = shortest length

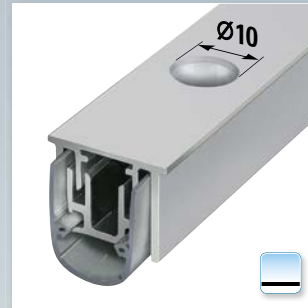




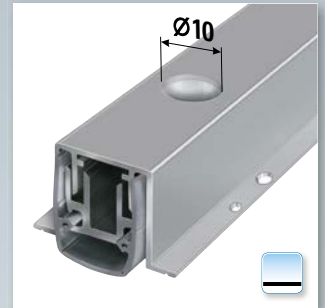
Planet MF with Planet drill hole Ø10 mm for driving bar rods



Planet RO with Planet drill hole Ø10 mm for driving bar rods



Planet RS with Planet drill hole Ø10 mm for driving bar rods



Planet PU with Planet drill hole Ø10 mm for driving bar rods



Planet MF with Planet drill hole Ø10 mm and driving bar rod
→ refer to chapter Accessories | driving bar rods



Planet ZA-Set with Planet drill hole Ø10 mm and driving bar rod
→ refer to chapter Accessories | driving bar rods



Accessories: Planet BM Ø10 mm narrow floor recess plate
→ refer to chapter BM



Accessories: Planet BM Ø10 mm floor recess plate
→ refer to chapter BM



Accessories: floor recess plate Planet BM-R Ø11/25 mm
→ refer to chapter BM



Accessories: floor recess plate Planet BM-R Ø11/40 mm
→ refer to chapter BM

Order specifications

Planet Drill hole Ø10 mm including plastic guide	Prod. code 900280
Planet Drill hole Ø10 mm for Planet ZA including plastic guide	Prod. code 900926
Fix dimension of the Planet length	
Back set 20–100 mm	
Attention: Order the drop-down seal with fix dimension and DIN L or DIN R	

Accessories | Options

Planet KR flush bolt → refer to chapter flush bolt	Several
Planet BM recess plates → refer to chapter BM	Several

Advertising text

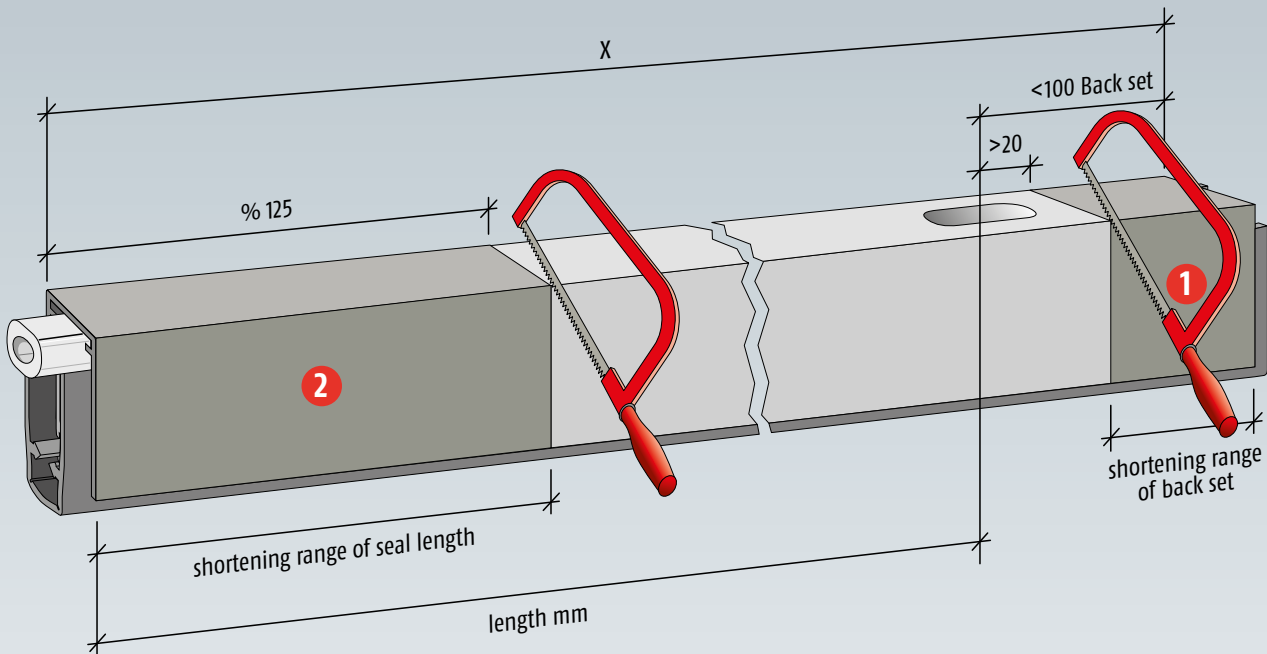
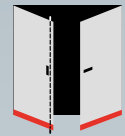


Planet Drill hole Ø10 mm for drill bar rod available with customer

Planet Drill hole Ø10 mm, for round end drill bar rod available with customer.

Planet TR 125 double-shortening

→ for double doors – hinged, shelf life related, prepared drill holes



Main features

- Shelf life related to dealers and system manufacturers
- Prepared drill hole, factory-made
- Adaptable back set
- Can be shortened by 125 mm or 100 mm
- Applicable as DIN L and DIN R
- All features of the seal are unchanged
- Available for order: Planet FT, HS, RH, RF, MF, RO, RS, PU

Correct order of shortening

- 1 At first shorten the back set
- 2 After that shorten the seal length

Order specifications

Planet double-shortening

- Planet type: Prod. code
- Length of Planet
- Back set 20–100 mm
- Drill hole $\varnothing 5 \times 13$ mm, $\varnothing 10$ mm, $\varnothing 8$ mm

Prod. code 900390

Seals appropriate for option double-shortening

Planet type	RD	FH+RD	Length mm	Back set mm	X mm	Possible drill hole
HS	●	●	335 – 1460	20 – 100		$\varnothing 5 \times 13$ mm, $\varnothing 8$ mm
RH	●	●	335 – 1460	20 – 100		$\varnothing 5 \times 13$ mm, $\varnothing 8$ mm
FT	●	●	350 – 1350	20 – 100		$\varnothing 5 \times 13$ mm, $\varnothing 8$ mm
RF	●	●	350 – 1350	20 – 100		$\varnothing 5 \times 13$ mm, $\varnothing 8$ mm
HS-plus	●	●	335 – 1460	20 – 100		$\varnothing 5 \times 13$ mm, $\varnothing 8$ mm
FT-plus	●	●	350 – 1350	20 – 100		$\varnothing 5 \times 13$ mm, $\varnothing 8$ mm
MF	●	●	460 – 1585	20 – 100		$\varnothing 5 \times 13$ mm, $\varnothing 10$ mm
RO	●	●	460 – 1585	20 – 100		$\varnothing 5 \times 13$ mm, $\varnothing 10$ mm
RS	●	●	460 – 1585	20 – 100		$\varnothing 5 \times 13$ mm, $\varnothing 10$ mm
PU	●	●	460 – 1585	20 – 100		$\varnothing 5 \times 13$ mm, $\varnothing 10$ mm
MF-plus	●	●	460 – 1585	20 – 100		$\varnothing 5 \times 13$ mm, $\varnothing 10$ mm
RO-plus	●	●	460 – 1585	20 – 100		$\varnothing 5 \times 13$ mm, $\varnothing 10$ mm
RS-plus	●	●	460 – 1585	20 – 100		$\varnothing 5 \times 13$ mm, $\varnothing 10$ mm
PU-plus	●	●	460 – 1585	20 – 100		$\varnothing 5 \times 13$ mm, $\varnothing 10$ mm
ZA	●	●	335 – 1460	20 – 100		$\varnothing 10$ mm

Beispiel:

HS	●	● FH+RD	960 mm	+ 45 mm	= 1005 mm	$\varnothing 5 \times 13$ mm
----	---	---------	--------	---------	-----------	------------------------------

Order specification: 900390 + 77096, D 45, $\varnothing 5 \times 13$ mm

Driving bar rods from BMH

∅5 x 13 mm



BMH Treibriegelstange unten
BMH Treibriegelstange gefedert

Nr. 1104
Nr. 1109

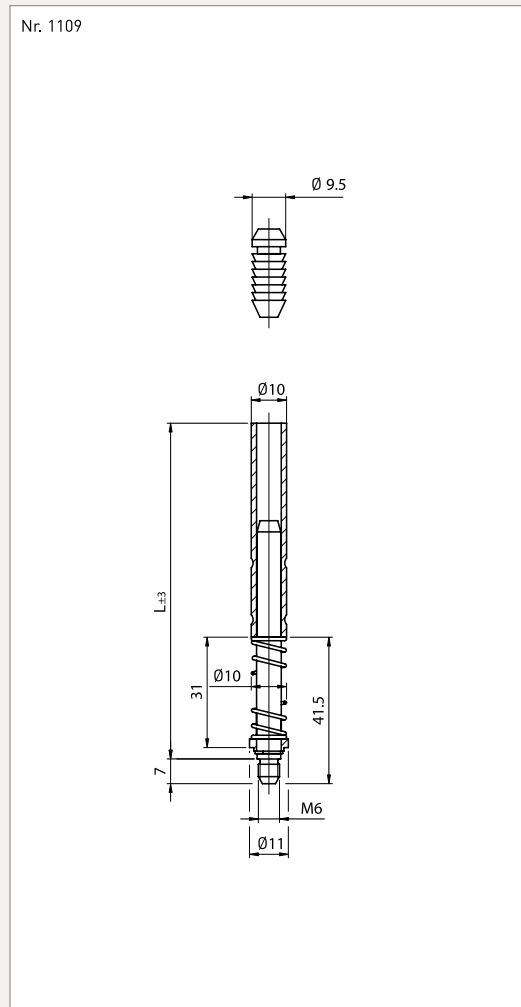
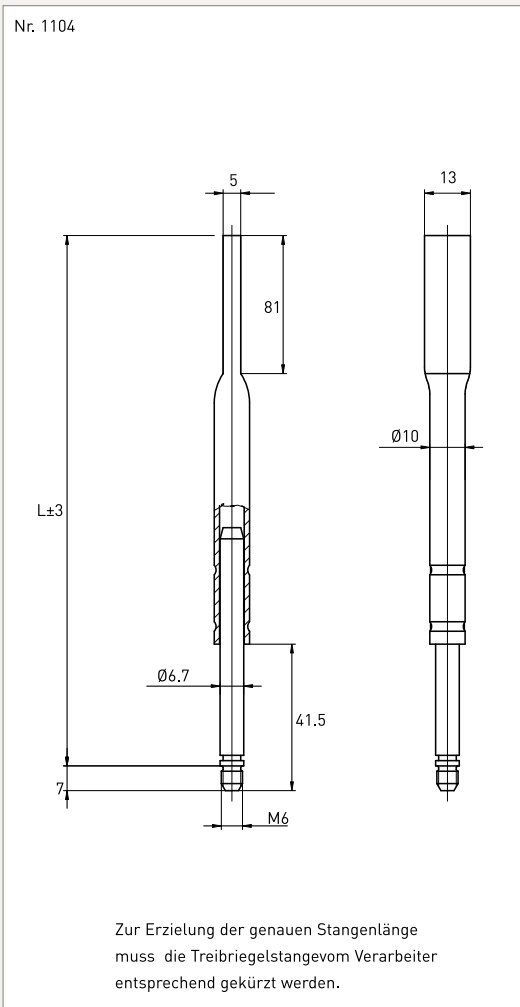
AUSFÜHRUNG NR. 1104 Stahlrohr, verzinkt		
Durchmesser	Gewinde	Längen
10 mm	M6	L = 966 1414 mm

AUSFÜHRUNG NR. 1109 Stahlrohr, verzinkt		
Durchmesser	Gewinde	Längen
10 mm	M6, mit Verriegelungs- feder und Gleitstopfen	L = 1000, 1500 mm

VERWENDUNG MIT	
Treibriegelschlössern	Falztreibriegelschloss
1130, 1131, 1132, 1133, 1134, 1135, 1136, 1137, 1138, 1139, 1152, 1153	1155

VERWENDUNG MIT	
Paniktreibriegelschloss Nr. 6130	
in Kombination mit Schaltschloss Nr. 1141 als obere und untere Treibriegelstange.	

► jeweils in Kombination mit einer Planet Absenkdringung.



3.

Driving bar rods from Wilka

∅5 x 13 mm

WILKA - VORSPRUNG DURCH QUALITÄT



Art.Nr.	Bezeichnung	Maße	Merkmale
P645	Lappenschließblech für Verriegelung nach oben	24 x 3 x 60 mm	Lappen in 0,5 mm Schritten ablängbar
4685	Schaltzschloss	Stulpmaß 24 x 54 mm rund	
9648	Treibriegelstange	Länge 1000 mm 1500 mm 2000 mm 2500 mm	hohl, mit Gleitstopfen, Anschlussgewinde M5
6663 7663	Anti-Panik-Gegenkasten	Dornmaß 35 - 65 mm	DIN Rechts & DIN Links EN 179 + EN 1125
9691	Treibriegelstange	Länge siehe Seite Art. 9691	
9651	Bodenschließmulde	56 x 20 x 100 mm	

Es handelt sich bei der abgebildeten Kombination lediglich um ein Beispiel mit WILKA-Treibriegelstange Art.Nr. 9691 und Bodenmulde Art.Nr. 9651. Weitere Kombinationsmöglichkeiten, bei denen diese spezielle Stange zum Einsatz kommen kann, werden im WILKA-Metallbaukatalog dargestellt.

Weiterführende Informationen unter www.wilka.de oder über info@wilka.de.

Driving bar rods from Wilka

∅5 x 13 mm

WILKA - VORSPRUNG DURCH QUALITÄT

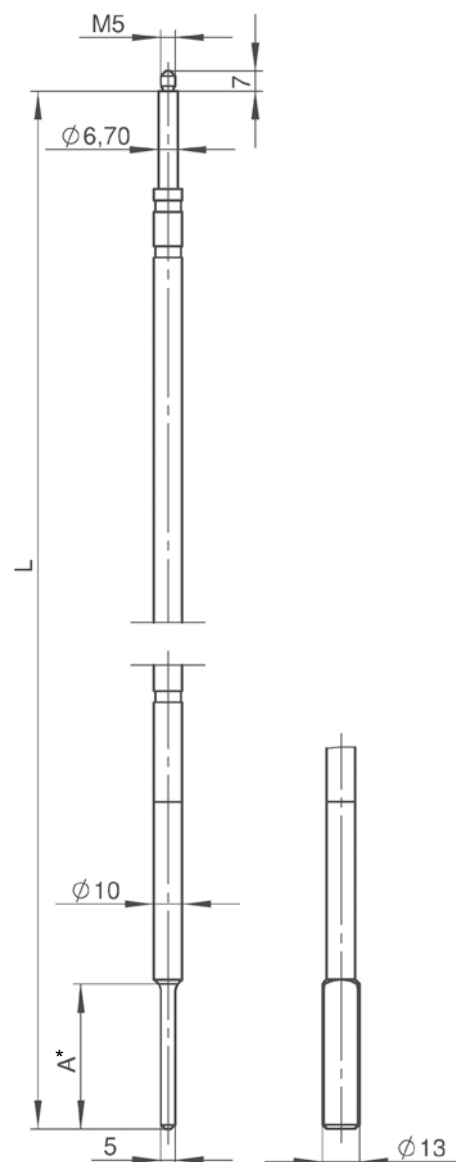


Treibriegelstange Art.Nr. 9691

Treibriegelstange für Standflügel, für die Verwendung mit schmalen Türdichtungen (Typ Planet FT, HS, MF, RH, RF, KT, RO, PU), massiv, Anschlussgewinde M5, für Verriegelung nach unten.

Artikel	Bezeichnung	Länge L
6663 6664 7663 7664	Anti-Panik-Gegenkasten	916 mm
4671 6672	Falztreibriegelschloss	1420 mm

*Länge „A“ ist abhängig vom jeweiligen Profilsystem und bedarf einer technischen Abklärung.



Weiterführende Informationen unter www.wilka.de oder über info@wilka.de.

Driving bar rods from BKS

∅ 5 x 13 mm



Produktinformation Schlösser



Kontakt:

Deutschland

Tel. +49 2051 201 - 0
Fax +49 2501 201 - 555

Schweiz

Tel. +41 34 448 45 45
Fax +41 34 445 62 49

Datum: 1.8.2014

Info-Nr.: SPM - 0105A

Seite 1 von 1

**Betrifft: Treibriegelstange für Türdichtungen
(Typ Planet HS, RH, FT, RF, MF, RO, RS, PU, MinE)**

Für die Verwendung mit den oben aufgeführten Türdichtungen ist die grafisch dargestellte Treibriegelstange vorzusehen.

Diese Türdichtungen sind so schmal dass eine normale Stange mit einem ∅ 10 mm nicht verwendet werden kann!

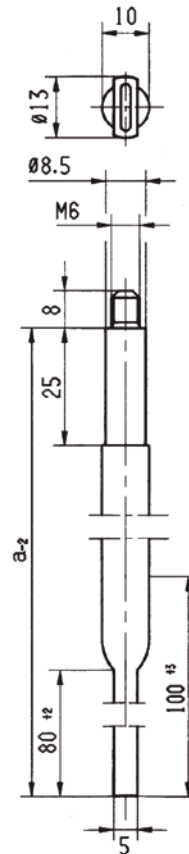
Die Firma Planet produziert Absenk-
dichtungen mit einer 5 x 13 mm breiten
Durchführung unter Angabe von Länge,
Dornmass und DIN L / DIN R.

Ausschreibungstext:

Treibriegelstange (Rohr), verzinkt,
unteres Stangenende abgeflacht
von ∅ 10 mm auf 5 x 13 mm,
M6 mm Gewinde,

Mass a = _____ mm

für Verwendung mit Türdichtung
der Firma Planet Typ Planet.



**Treibriegelstange 9006 für schmale Türdichtungen
(verfügbare Längen insgesamt)**

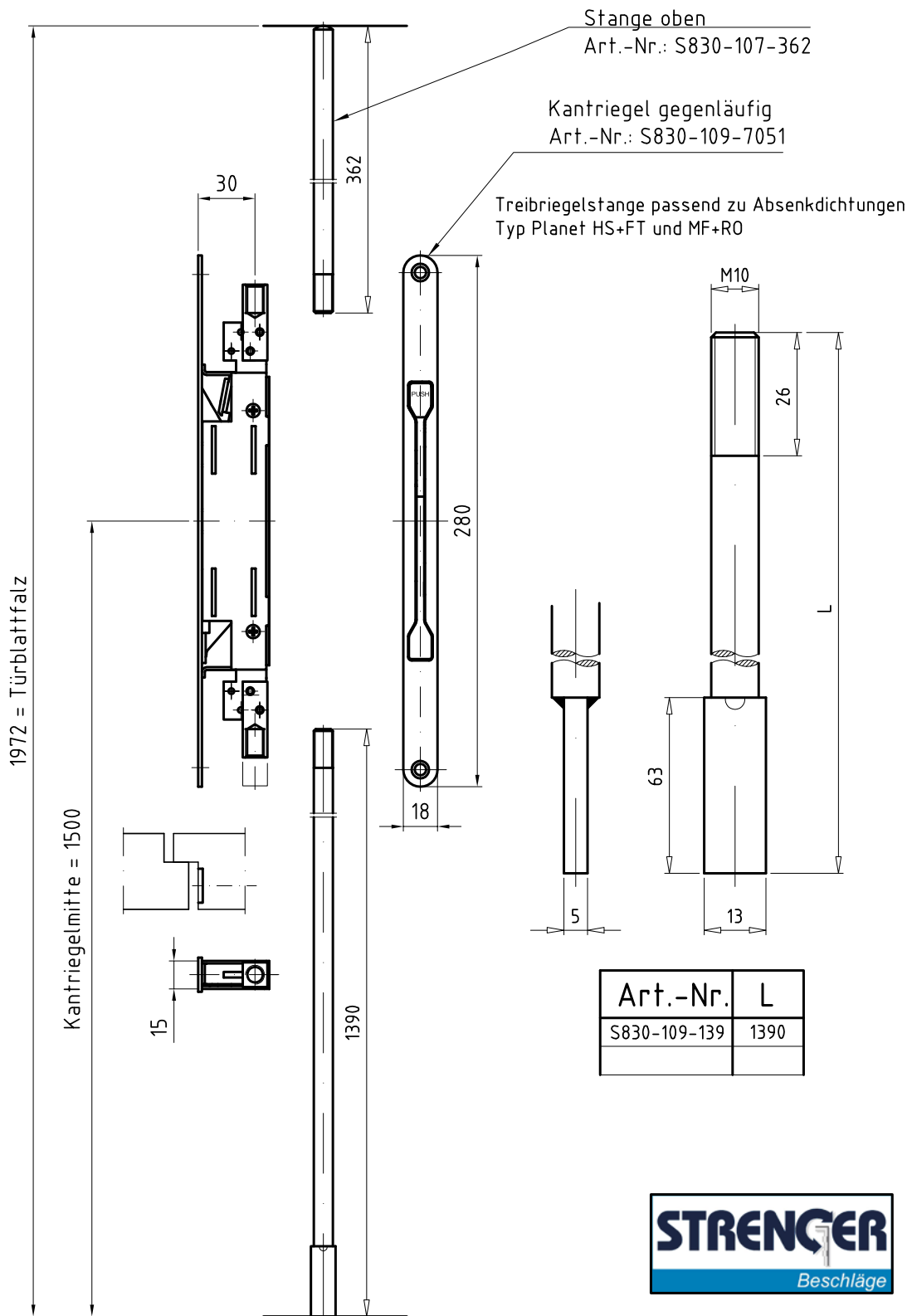
Stangenlänge a	Artikel-Nr.	Verwendbar für BKS-Schlosstyp
917 mm	B 9006 0700	B 1793 / B-18900 / B-18910 / B-18960 / B-19900
926 mm	B 9006 0701	B 1792
966 mm	B 9006 0702	B 2189 / B 2190 / B 2390 / B 2391 / B 2392 / B 2394 / B 2397
1414 mm	B 9006 0703	B 1899
1440 mm	B 9006 0704	B 1899

Als Bodenmulde empfiehlt sich der Typ Planet / Nr. 900 276-0

Driving bar rods from Strenger

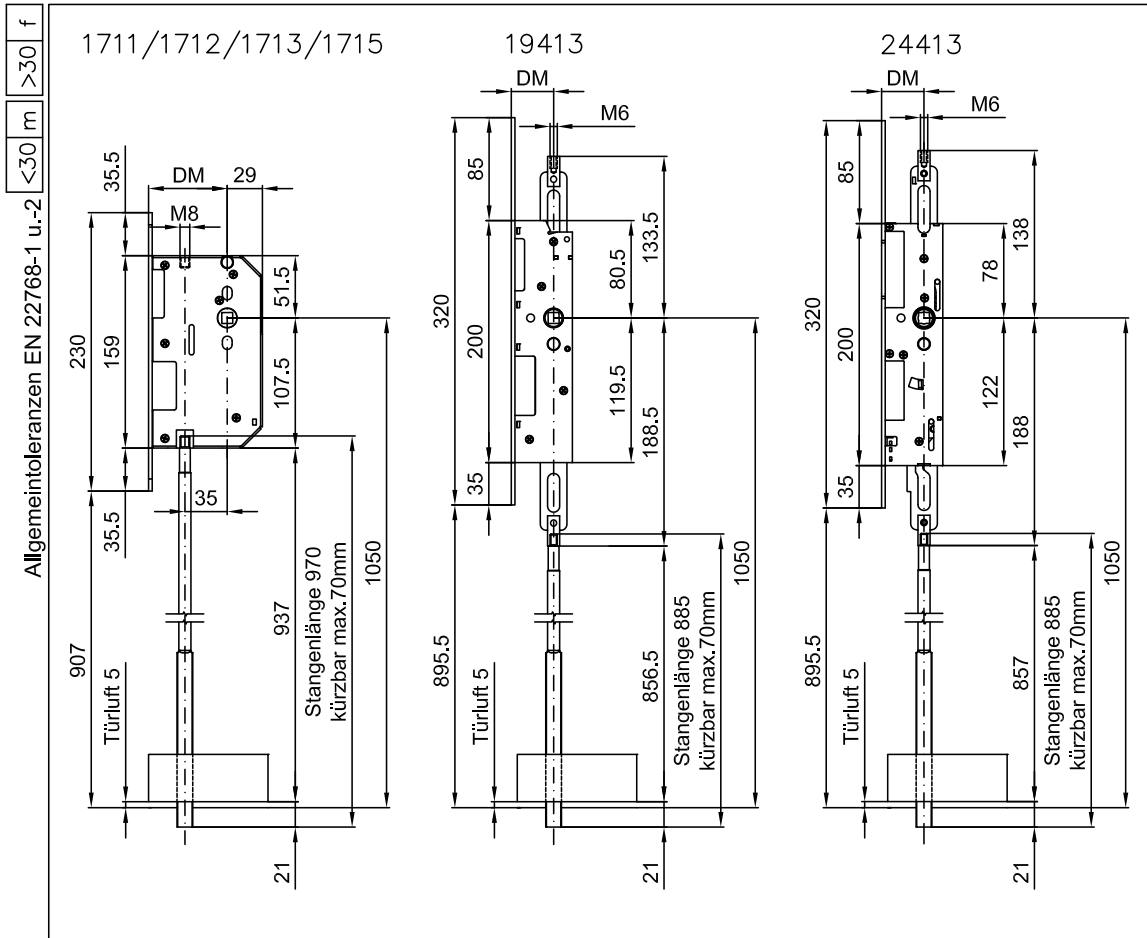
Ø 5 x 13 mm

Kantriegel vorgerichtet für Planet Absenkdeckung



Driving bar rods from MSL

Ø5 x 13 mm



Schloss-Typ	Stulpunterkante bis Boden	Drückerhöhe	Stangenlänge	Dornmass im Planet	Art. Nr.
1711	907	1050	970	35 mm	1724.010/M6x970
1712	907	1050	970	35 mm	1724.010/M6x970
1713	907	1050	970	35 mm	1724.010/M6x970
1715	907	1050	970	35 mm	1724.010/M6x970
19413	895,5	1050	885	Dornmass	1724.010/M6x885
24413	895,5	1050	885	Dornmass	1724.010/M6x885

Für dieses Dokument behalten wir uns alle Rechte nach SN 210318 vor.

Stangenlängen PLANET			
Pos	Menge	Einheit	Standort
			Gegenstand
			Material
			Gezeichnet 12.06.14 ds
			Geprüft
			Freigegeben
			Kunde
			Oberfläche
			Ursprung
			Ersatz für
			Masstab
			%
			⊕
			Ae

Ohne sep.Stückliste
Sep.Stückliste gleicher Nr.
Sep.Stückliste anderer Nr.



1711; 1712; 1713; 1715; 19413; 24413

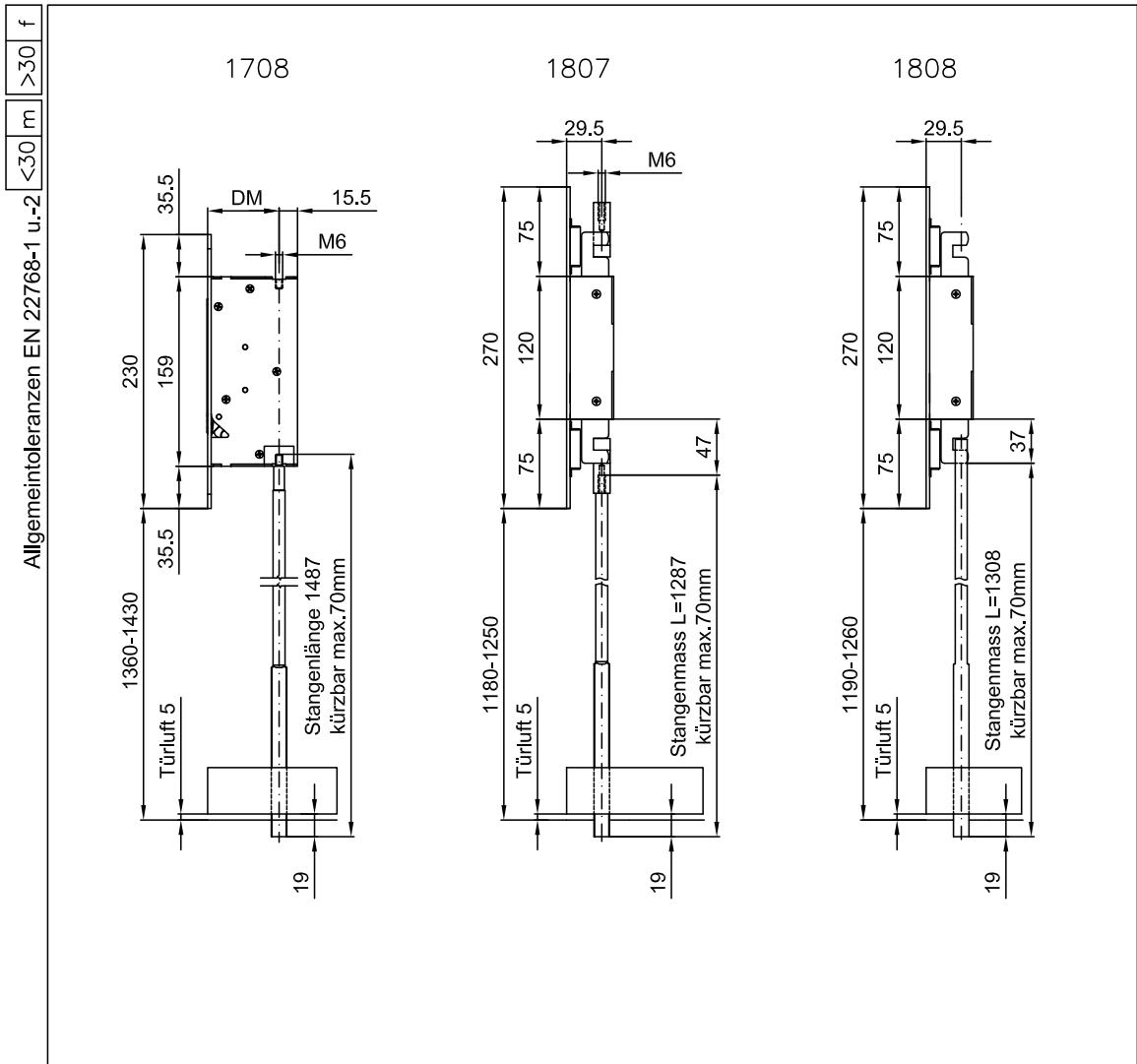
Stangenlängen PLANET

PR1711-24413

Driving bar rods from MSL



∅5 x 13 mm



Schloss-Typ	Stulpunterkante bis Boden	Stangenlänge	Dornmass im Planet	Art. Nr.
1708	1360-1430	1487	1708	1724.010/M6x1487
1807	1180-1250	1287	1807	1724.010/M6x1287
1808	1190-1260	1308	1808	1824.008/1308-PLANET

Pos		Menge	Einheit	Standort	Stangenlängen PLANET		Gegenstand		Material	
					Gezeichnet	20.03.07 Di		Masstab		
					Geprüft			%		
					Freigegeben					
					Kunde					
Ohne sep.Stückliste					1708;1807;1808		Oberfläche			
Sep.Stückliste gleicher Nr.							Ursprung			
Sep.Stückliste anderer Nr.							Ersatz für			
Schloss- und Beschlägefabrik AG 4245 Kleinlützel					Stangenlängen PLANET				PR1708-1713-1807	Ae

Für dieses Dokument behalten wir uns alle Rechte nach SN 210318 vor.

Driving bar rods and espagnolette bolts from FUHR $\varnothing 5 \times 13 \text{ mm}$

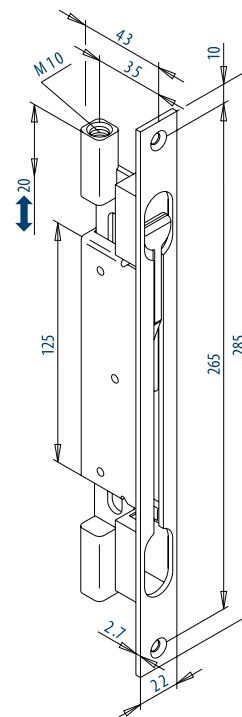
FUHR®

Einsteck-Türkantriegel Nr. 345 K zum Feststellen des Standflügels an zweiflügeligen Türen

- 35 mm Dorn
- mit Umlegehebel
- Stulplänge 285 mm
- mit Schraublöchern
- Stangenausschluss (Hub) 20 mm

Verpackungseinheit: 5 Stück

Artikel-Nr.	Stulpe
BK345K22A	22 mm kätig galv. verzinkt
BK345K22AN	22 mm kätig Edelstahl
BK345K22AR	22 mm abgerundet galv. verzinkt
BK345K24A	24 mm kätig galv. verzinkt
BK345K24AN	24 mm kätig Edelstahl

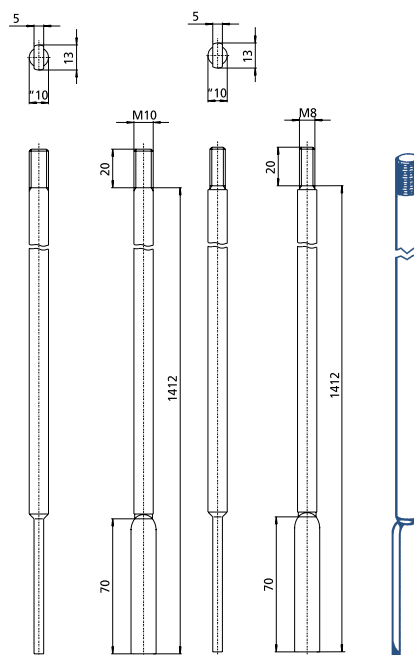


Rundstangen 10 mm \varnothing für Planet – HS und FT

- blau verzinkt

Verpackungseinheit: 1 Stück

Artikel-Nr.	Beschreibung
QRG10V14P	mit Gewinde M 10
QRG10V14P8	mit Gewinde M 8



Espagnolette bolts and driving bar rods from FUHR

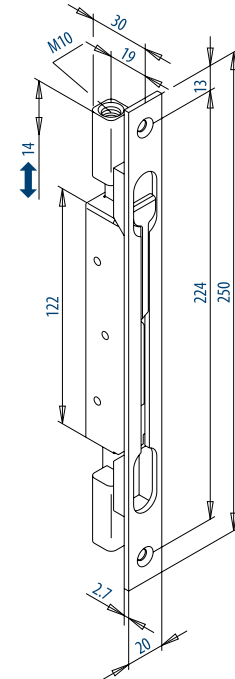
Einsteck-Türkantriegel Nr. 344 K

zum Feststellen des Standflügels an zweiflügeligen Türen

- 19 mm Dorn
- mit Umlegehebel
- Stulplänge 250 mm
- mit Schraublöchern
- Stangenausschluss (Hub) 14 mm

Verpackungseinheit: 5 Stück

Artikel-Nr.	Stulpe
BK344K20A	20 mm kätig galv. verzinkt
BK344K20AN	20 mm kätig Edelstahl
BK344K20AR	20 mm abgerundet galv. verzinkt
BK344K22A	22 mm kätig galv. verzinkt
BK344K24A	24 mm kätig galv. verzinkt
BK344K24AN	24 mm kätig Edelstahl
BK344K35ARN	35 mm Dorn 20 mm abgerundet Edelstahl
BK344K35ARV	35 mm Dorn 20 mm abgerundet galv. verzinkt



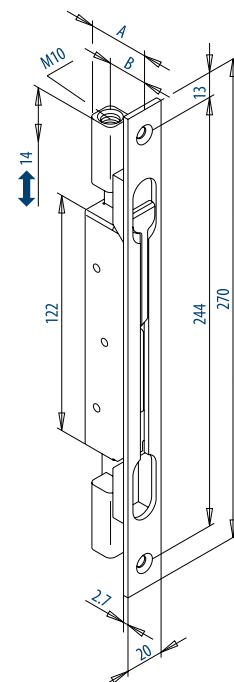
Einsteck-Türkantriegel Nr. 344 KT

zum Feststellen des Standflügels an zweiflügeligen Kunststoff-Türen

- mit Umlegehebel
- Stulpe 20 x 270 mm kätig
- mit Schraublöchern
- Stangenausschluss (Hub) 14 mm

Verpackungseinheit: 5 Stück

Artikel-Nr.	Dornmaß	Stulpe
BK344KT19S	19 mm Dorn	galv. verzinkt
BK344KT24S	24 mm Dorn	galv. verzinkt
BK344KT26S	26 mm Dorn	galv. verzinkt
BK344KT28S	28 mm Dorn	galv. verzinkt
BK344KT35S	35 mm Dorn	galv. verzinkt
BK344KT35N	35 mm Dorn	Edelstahl



Driving bar rods from Glutz

since 1863

Glutz

Verriegelungsstange für Planetdichtung 11037

In Verbindung mit Vollblatt-Gegenkasten und Falztreibriegel einsetzbar.



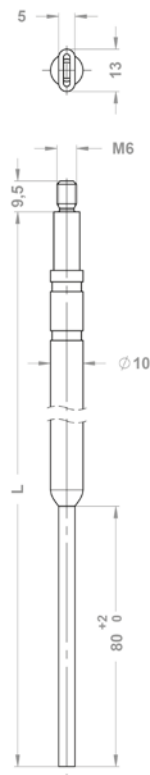
Anwendung und Einsatz

- ▶ Einbau in den Standflügel 2-flg. Türen
- ▶ Für Planet Absenkrichtungen



since 1863

Glutz



Technische Merkmale Planetdichtung 11037

Oberfläche	Verzinkte Stange 10 mm Durchmesser, Gewindeansatz M6
Länge	966 mm 1.414 mm

Bestellcode

11037.0966	Länge 966 mm
11037.1414	Länge 1414 mm

Planet BM $\varnothing 5 \times 13$ mm narrow floor strike

→ 3 types available for corrections of 0 mm, ± 2 mm, ± 4 mm



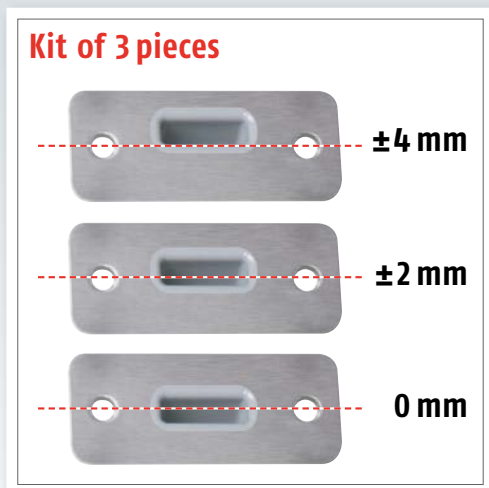
Main features

- 3 types available for corrections of ± 4 mm (see measure C) (also available as kit of 3 pieces, 0 mm, ± 2 mm, ± 4 mm)
- Very simple adjustment
- Narrow guide, anti-rattle feature
- Including sliding surface for automatically locking locks
- Appropriate for sound-, smoke- and fire-protection doors
- Bag closed, simple cleaning
- Simple assembly, no need of special tools
- Material made of stainless steel
- Polished surface

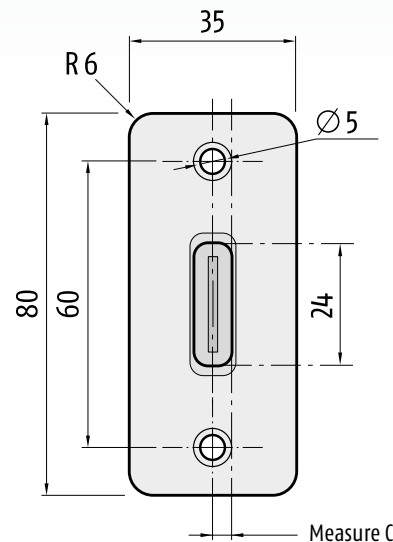
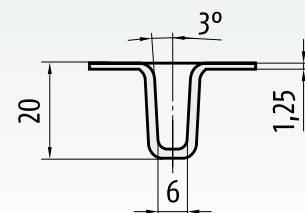
Appropriate for:

- Driving bar rod $\varnothing 5 \times 13$ mm and Planet KR flush bolt (for rod delivery → refer to chapter flush bolt and chapter drilling)

Door types with Planet BM $\varnothing 5 \times 13$ mm narrow floor strike



More functions



Technical specifications

Material	Stainless steel
Overall dimensions	35 x 80 mm
Recess dimension	6 x 24 mm
Adjustability	+4 mm, +2 mm, 0 mm, -2 mm, -4 mm
Fastening	With 2 screws $\varnothing 4$ mm (available from customer, may not protrude)

Adjustment range

Prod. code	Measure C
900345-0	0 mm
900345-2	± 2 mm
900345-4	± 4 mm



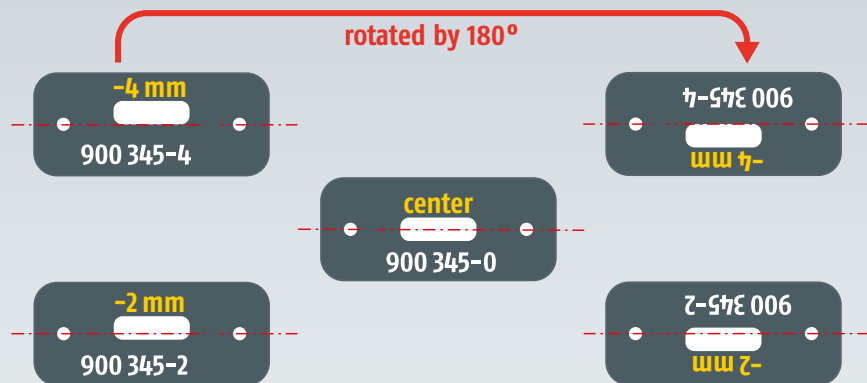
Planet BM $\varnothing 5 \times 13$ narrow floor strike



Kit of 3 pieces Planet BM floor strike $\varnothing 5 \times 13$ (kit including pieces: 900345-0, 900345-2, 900345-4)



Functional principle:
Planet HS drop-down seal with Planet BM $\varnothing 5 \times 13$ narrow floor strike



Principle of adjustment:
2 base screws with 3 floor strikes = 5 different hole positions

Order specifications

Planet BM $\varnothing 5 \times 13$ narrow floor recess plates kit (kit including pieces: 900345-0, 900345-2, 900345-4)	Prod. code 900345
Planet BM $\varnothing 5 \times 13$ narrow Typ 0	Prod. code 900345-0
Planet BM $\varnothing 5 \times 13$ narrow Typ 2	Prod. code 900345-2
Planet BM $\varnothing 5 \times 13$ narrow Typ 4	Prod. code 900345-4

Advertising text



Planet BM $\varnothing 5 \times 13$ narrow floor strike

Floor strike Planet BM $\varnothing 5 \times 13$ narrow, appropriate for driving bar rods $\varnothing 5 \times 13$ mm, for sound-, smoke- and fire protection doors, adjustable ± 4 mm, execution stainless steel, polished surface.

Planet BM $\varnothing 5 \times 13$ mm floor strike

→ 3 types available for corrections of 0 mm, ± 2 mm, ± 4 mm

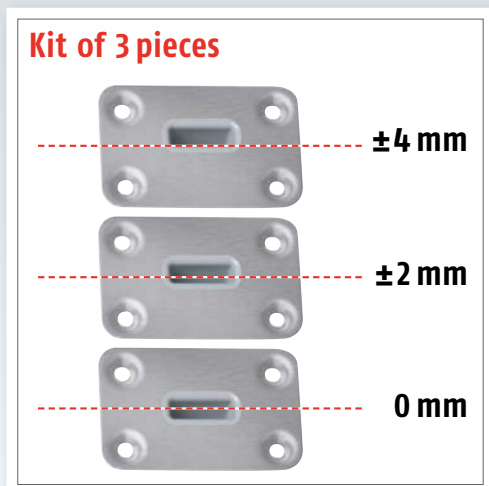


Main features

- 3 types available for corrections of ± 4 mm (see measure C) (also available as kit of 3 pieces, 0 mm, ± 2 mm, ± 4 mm)
- Very simple adjustment
- Narrow guide, anti-rattle feature
- Including sliding surface for automatically locking locks
- Appropriate for sound-, smoke- and fire-protection doors
- Bag closed, simple cleaning
- Simple assembly, no need of special tools
- Material made of stainless steel
- Polished surface

Appropriate for:

- Driving bar rod $\varnothing 5 \times 13$ mm and Planet KR flush bolt (for rod delivery → refer to chapter flush bolt and chapter drilling)



Door types with Planet BM $\varnothing 5 \times 13$ mm floor strike



More functions

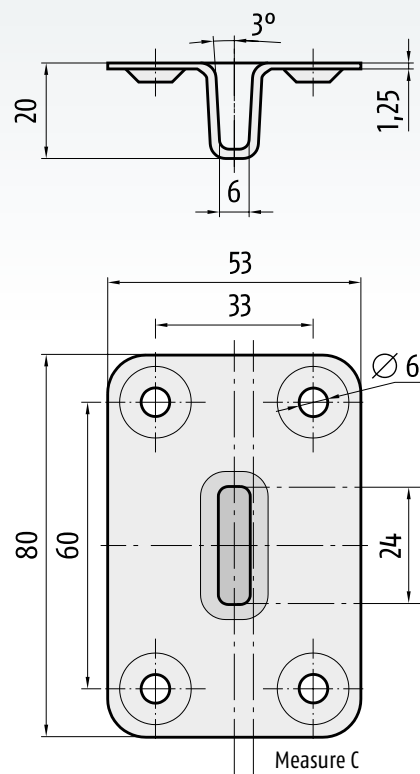


Technical specifications

Material	Stainless steel
Overall dimensions	53 x 80 mm
Recess dimension	6 x 24 mm
Adjustability	+4 mm, +2 mm, 0 mm, -2 mm, -4 mm
Fastening	With 4 screws $\varnothing 6$ mm (available from customer)

Adjustment range

Prod. code	Measure C
900275-0	0 mm
900275-2	± 2 mm
900275-4	± 4 mm





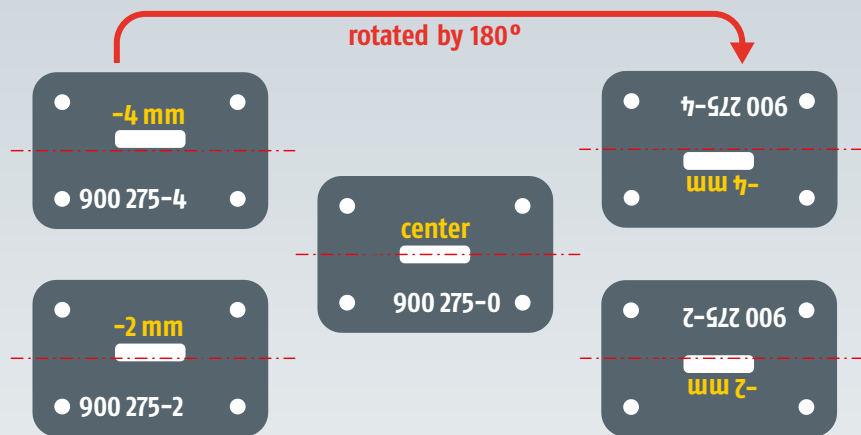
Planet BM $\varnothing 5 \times 13$ floor strike



Kit of 3 pieces Planet BM floor strike $\varnothing 5 \times 13$
(kit including pieces: 900275-0, 900275-2, 900275-4)



Functional principle:
Planet HS drop-down seal with
Planet BM $\varnothing 5 \times 13$ floor strike



Principle of adjustment:
4 base screws with 3 floor strikes = 5 different hole positions

Order specifications

Planet BM $\varnothing 5 \times 13$ floor strikes kit (kit including pieces: 900275-0, 900275-2, 900275-4)	Prod. code 900275
Planet BM $\varnothing 5 \times 13$ Typ 0	Prod. code 900275-0
Planet BM $\varnothing 5 \times 13$ Typ 2	Prod. code 900275-2
Planet BM $\varnothing 5 \times 13$ Typ 4	Prod. code 900275-4

Advertising text



Planet BM $\varnothing 5 \times 13$ floor strike

Floor strike Planet BM $\varnothing 5 \times 13$, appropriate for driving bar rods $\varnothing 5 \times 13$ mm, for sound-, smoke- and fire protection doors, adjustable ± 4 mm, execution stainless steel, polished surface.

Planet BM Ø10 mm narrow floor strike

→ 3 types available for corrections of 0 mm, ±2 mm, ±4 mm



Main features

- 3 types available for corrections of ±4 mm (see measure C) (also available as kit of 3 pieces, 0 mm, ±2 mm, ±4 mm)
- Very simple adjustment
- Narrow guide, anti-rattle feature
- Including sliding surface for automatically locking locks
- Appropriate for sound-, smoke- and fire-protection doors
- Bag closed, simple cleaning
- Simple assembly, no need of special tools
- Material made of stainless steel
- Polished surface

Appropriate for:

- Driving bar rod Ø10 mm (for rod delivery → refer to chapter flush bolt and chapter drilling)

Door types with Planet BM Ø10 mm narrow floor strike



More functions

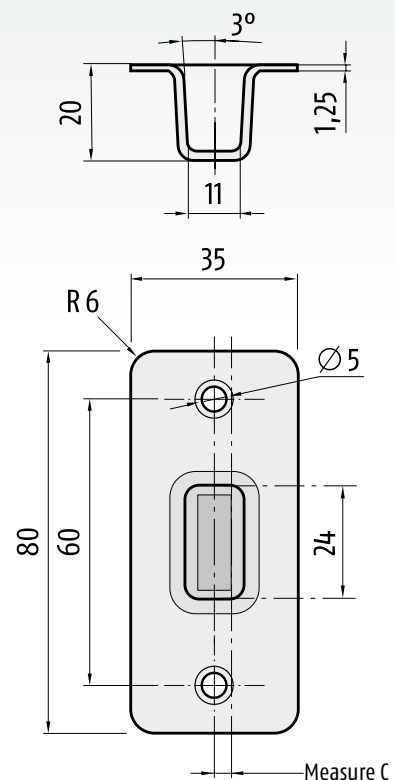


Technical specifications

Material	Stainless steel
Overall dimensions	35 x 80 mm
Recess dimension	11 x 24 mm
Adjustability	+4 mm, +2 mm, 0 mm, -2 mm, -4 mm
Fastening	With 2 screws Ø4 mm (available from customer, may not protrude)

Adjustment range

Prod. code	Measure C
900344-0	0 mm
900344-2	± 2 mm
900344-4	± 4 mm





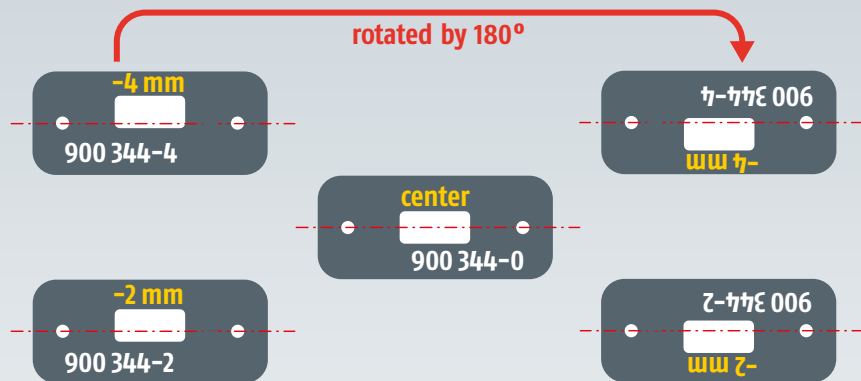
Planet BM Ø10 mm narrow floor strike



Kit of 3 pieces Planet BM floor strike Ø10 mm (kit including pieces: 900344-0, 900344-2, 900344-4)



Functional principle:
Planet HS drop-down seal with Planet BM Ø10 mm narrow floor strike



Principle of adjustment:
2 base screws with 3 floor strikes = 5 different hole positions

Order specifications

Planet BM Ø10 mm narrow floor recess plates kit (kit including pieces: 900344-0, 900344-2, 900344-4)	Prod. code 900344
Planet BM Ø10 mm narrow Typ 0	Prod. code 900344-0
Planet BM Ø10 mm narrow Typ 2	Prod. code 900344-2
Planet BM Ø10 mm narrow Typ 4	Prod. code 900344-4

Advertising text



Planet BM Ø10 mm narrow floor strike

Floor strike Planet BM Ø10 mm narrow, appropriate for driving bar rods Ø10 mm, for sound-, smoke- and fire protection doors, adjustable ± 4 mm, execution stainless steel, polished surface.

Planet BM Ø10 mm narrow floor strike

→ 3 types available for corrections of 0 mm, ±2 mm, ±4 mm



Main features

- 3 types available for corrections of ±4 mm (see measure C) (also available as kit of 3 pieces, 0 mm, ±2 mm, ±4 mm)
- Very simple adjustment
- Narrow guide, anti-rattle feature
- Including sliding surface for automatically locking locks
- Appropriate for sound-, smoke- and fire-protection doors
- Bag closed, simple cleaning
- Simple assembly, no need of special tools
- Material made of stainless steel
- Polished surface

Appropriate for:

- Driving bar rod Ø10 mm (for rod delivery → refer to chapter flush bolt and chapter drilling)

Door types with Planet BM Ø10 mm narrow floor strike



More functions

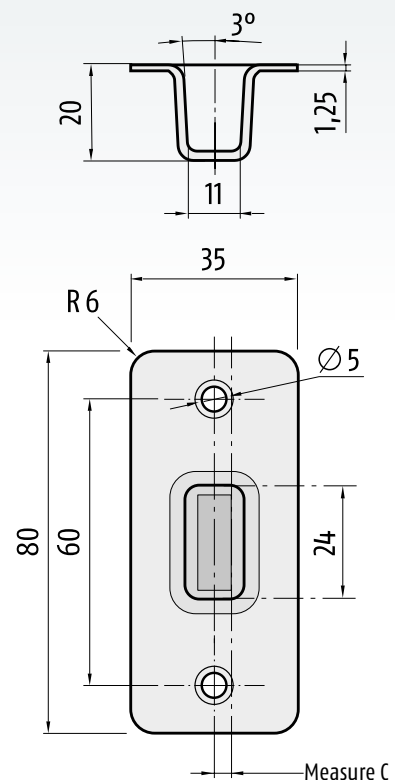


Technical specifications

Material	Stainless steel
Overall dimensions	35 x 80 mm
Recess dimension	11 x 24 mm
Adjustability	+4 mm, +2 mm, 0 mm, -2 mm, -4 mm
Fastening	With 2 screws Ø4 mm (available from customer, may not protrude)

Adjustment range

Prod. code	Measure C
900344-0	0 mm
900344-2	± 2 mm
900344-4	± 4 mm





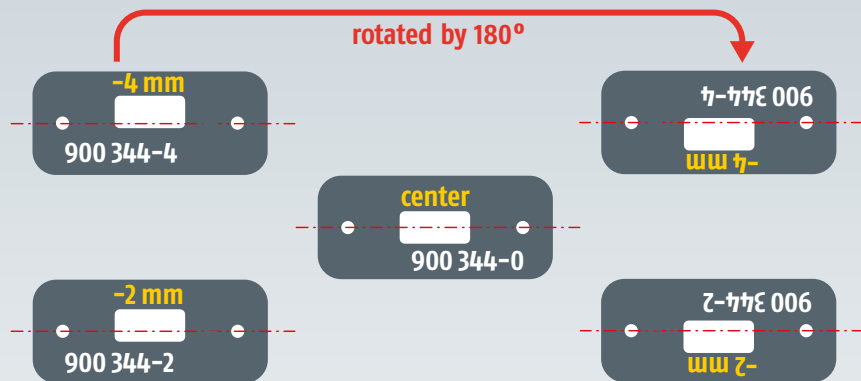
Planet BM Ø10 mm narrow floor strike



Kit of 3 pieces Planet BM floor strike Ø10 mm (kit including pieces: 900344-0, 900344-2, 900344-4)



Functional principle:
Planet HS drop-down seal with Planet BM Ø10 mm narrow floor strike



Principle of adjustment:
2 base screws with 3 floor strikes = 5 different hole positions

Order specifications

Planet BM Ø10 mm narrow floor recess plates kit (kit including pieces: 900344-0, 900344-2, 900344-4)	Prod. code 900344
Planet BM Ø10 mm narrow Typ 0	Prod. code 900344-0
Planet BM Ø10 mm narrow Typ 2	Prod. code 900344-2
Planet BM Ø10 mm narrow Typ 4	Prod. code 900344-4

Advertising text



Planet BM Ø10 mm narrow floor strike

Floor strike Planet BM Ø10 mm narrow, appropriate for driving bar rods Ø10 mm, for sound-, smoke- and fire protection doors, adjustable ± 4 mm, execution stainless steel, polished surface.

Planet **BM-R** Ø 15 mm (25 / 40 mm) floor recess plate

→ for Planet KR flush bolt $\varnothing 5 \times 13$ mm, driving bar rods $\varnothing 5 \times 13$ mm and round rods $\varnothing 14$ mm



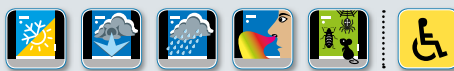
Main features

- For flush bolts and driving bar rods $\varnothing 5 \times 13$ mm and round rods $\varnothing 14$ mm
- Spring-loaded dust protection cap prevents dirt being deposited
- Very easy installation of drilled hole
- Material available in stainless steel or brass
- Appropriate for sound protection-, smoke-shielding and fire-retardant doors
- Elegant design solution, invisible under the door

Door types with Planet BM-R Ø 15 / (25 / 40 mm) floor recess plate

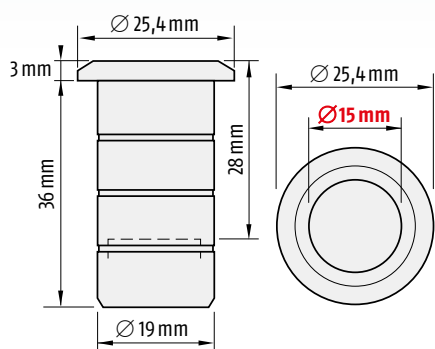


More functions

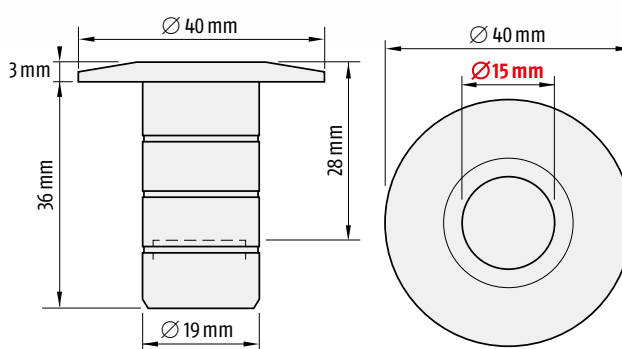


Technical specifications

Material	Stainless steel or brass with dust cover suspended
Overall dimensions	25 / 40 x 39 mm / 19 x 36 mm
Drilling	$\varnothing 19 \times 36$ mm to be glued
Dust protection cap	2 versions: $\varnothing 15 / 25$ mm and $\varnothing 15 / 40$ mm
Floor material	All types, e.g. wood, concrete, stone and slabs etc.



Planet BM-R Ø 15 / 25 mm



Planet BM-R Ø 15 / 40 mm



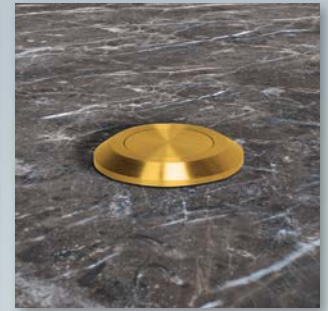
Planet BM-R Ø15 / 25 mm floor recess plate



Planet BM-R Ø15 / 25 mm with flush bolt $\varnothing 5 \times 13$ mm



Planet BM-R Ø15 / 25 mm floor recess plate, installed



Option: Planet BM-R Ø15 / 25 mm floor recess plate brass, installed



Planet BM-R Ø15 / 40 mm floor recess plate



Planet BM-R Ø15 / 40 mm with flush bolt $\varnothing 5 \times 13$ mm



Planet BM-R Ø15 / 40 mm floor recess plate, installed

Order specifications

Planet BM-R Ø15 / 25 mm floor recess plate Stainless steel, polished	Prod. code 900608
Planet BM-R Ø15 / 25 mm floor recess plate Brass, satin finish	Prod. code 900608-M
Planet BM-R Ø15 / 40 mm floor recess plate Stainless steel, polished	Prod. code 900850

Accessories | Options

Planet KR flush bolt $\varnothing 5 \times 13$ mm → refer to chapter flush bolt	Several
Rod $\varnothing 5 \times 13$ mm for lock supplier refer to technical data-sheets of the lock manufacturers: e.g. Wilka, BKS, FUHR, BMH, MSL, etc. → refer to chapter driving bar rods	Several
Rod Ø14 mm Lock manufacturers e.g. BKS, Wilka, MSL etc.	Several

Advertising text



Planet BM-R Ø15 / 25 mm floor recess plate (stainless steel)

Floor recess plate Planet BM-R Ø15 / 25 mm appropriate for Planet KR $\varnothing 5 \times 13$ mm, driving bar rods $\varnothing 5 \times 13$ mm and round rods up to max. Ø14 mm, for double leaf doors and sound-, smoke- and fire-protection doors, stainless steel (polished surface).

Advertising text



Planet BM-R Ø15 / 40 mm floor recess plate (stainless steel)

Floor recess plate Planet BM-R Ø15 / 40 mm appropriate for Planet KR $\varnothing 5 \times 13$ mm, driving bar rods $\varnothing 5 \times 13$ mm and round rods up to max. Ø14 mm, for double leaf doors and sound-, smoke- and fire-protection doors, stainless steel (polished surface).

Planet BM-R Ø 11 mm (25 / 40 mm) floor recess plate

→ for driving bar rods Ø10 mm



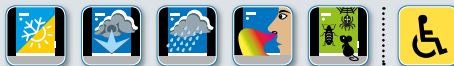
Main features

- For flush bolts and driving bar rods Ø10 mm
- Spring-loaded dust protection cap prevents dirt being deposited
- Very easy installation of drilled hole
- Material in stainless steel
- Appropriate for sound protection-, smoke-shielding and fire-retardant doors
- Elegant design solution, invisible under the door

Door types with Planet BM-R Ø11 / (25 / 40 mm) floor recess plate

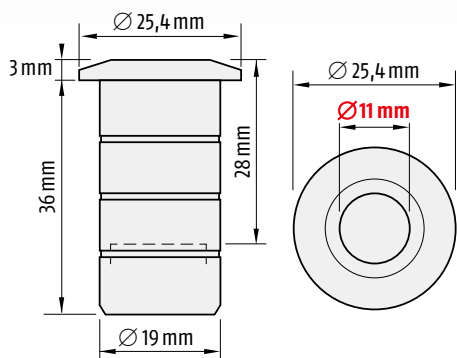


More functions

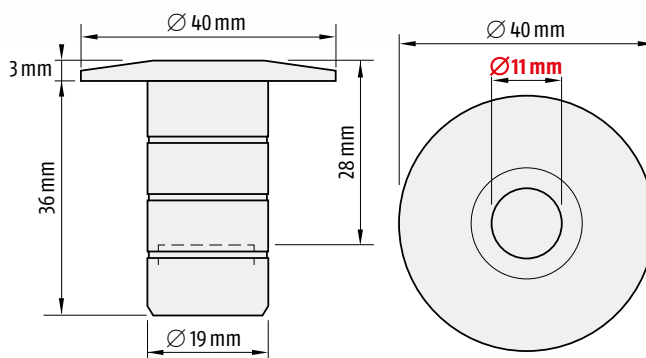


Technical specifications

Material	Stainless steel with dust cover suspended
Overall dimensions	25 / 40 x 39 mm / 19 x 36 mm
Drilling	Ø19 x 36 mm to be glued
Dust protection cap	2 versions: Ø11 / 25 mm and Ø11 / 40 mm
Floor material	All types, e.g. wood, concrete, stone and slabs etc.



Planet BM-R Ø11 / 25 mm



Planet BM-R Ø11 / 40 mm



Planet BM-R Ø11/25 mm floor recess plate



Planet BM-R Ø11/25 mm with driving bar rod Ø10 mm



Planet BM-R Ø11/25 mm floor recess plate, installed



Planet BM-R Ø11/40 mm floor recess plate



Planet BM-R Ø11/40 mm mit driving bar rod Ø10 mm



Planet BM-R Ø11/40 mm floor recess plate, installed

Order specifications

Planet BM-R Ø11/25 mm floor recess plate Stainless steel, polished	Prod. code 900874
Planet BM-R Ø11/40 mm floor recess plate Stainless steel, polished	Prod. code 900873

Accessories | Options

Rod Ø10 mm Lock manufacturers e.g. BKS, Wilka, MSL etc.	Several
--	---------

Advertising text



Planet BM-R Ø11/25 mm floor recess plate (stainless steel)
 Floor recess plate Planet BM-R Ø11/25 mm appropriate for driving bar rods up to max. Ø10 mm, for double leaf doors and sound-, smoke- and fire protection doors, stainless steel (polished surface).

Advertising text



Planet BM-R Ø11/40 mm floor recess plate (stainless steel)
 Floor recess plate Planet BM-R Ø11/40 mm appropriate for driving bar rods up to max. Ø10 mm, for double leaf doors and sound-, smoke- and fire protection doors, stainless steel (polished surface).

Planet BM-R Ø 9 mm (25 / 40 mm) floor recess plate

→ for driving bar rods Ø 8 mm



Main features

- For flush bolts and driving bar rodn Ø 8 mm
- Spring-loaded dust protection cap prevents dirt being deposited
- Very easy installation of drilled hole
- Material in stainless steel
- Appropriate for sound protection-, smoke-shielding and fire-retardant doors
- Elegant design solution, invisible under the door

Door types with Planet BM-R Ø 9 / (25 / 40 mm) floor recess plate

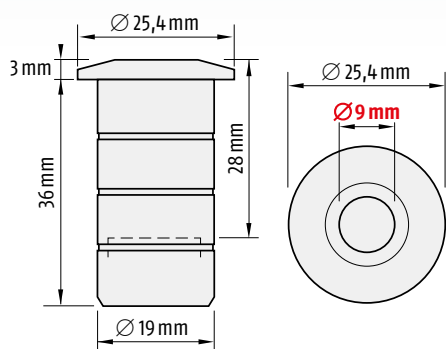


More functions

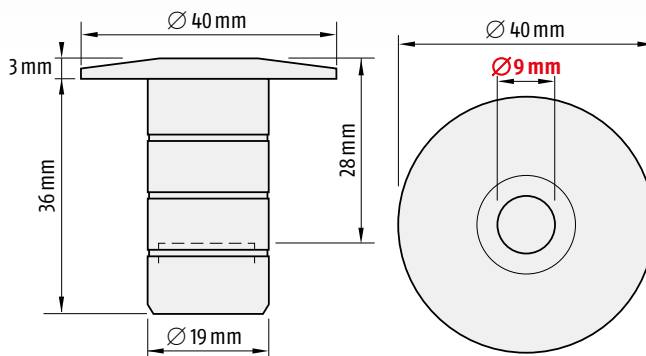


Technical specifications

Material	Stainless steel with dust cover suspended
Overall dimensions	25 / 40 x 39 mm / 19 x 36 mm
Drilling	Ø 19 x 36 mm to be glued
Dust protection cap	2 versions: Ø 9 / 25 mm and Ø 9 / 40 mm
Floor material	All types, e.g. wood, concrete, stone and slabs etc.



Planet BM-R Ø 9 / 25 mm



Planet BM-R Ø 9 / 40 mm



Planet BM-R Ø9/25 mm floor recess plate



Planet BM-R Ø9/25 mm with driving bar rod Ø8 mm



Planet BM-R Ø9/25 mm floor recess plate, installed



Planet BM-R Ø9/40 mm floor recess plate



Planet BM-R Ø9/40 mm with driving bar rod Ø8 mm



Planet BM-R Ø9/40 mm floor recess plate, installed

Order specifications

Planet BM-R Ø9/25 mm floor recess plate Stainless steel, polished	Prod. code 900872
Planet BM-R Ø9/40 mm floor recess plate Stainless steel, polished	Prod. code 900871

Accessories | Options

Rod Ø8 mm Lock manufacturers e.g. BKS, Wilka, MSL etc.	Several
---	---------

Advertising text



Planet BM-R Ø9/25 mm floor recess plate (stainless steel)
Floor recess plate Planet BM-R Ø9/25 mm appropriate for driving bar rods up to max. Ø8 mm, for double leaf doors and sound-, smoke- and fire protection doors, stainless steel (polished surface).

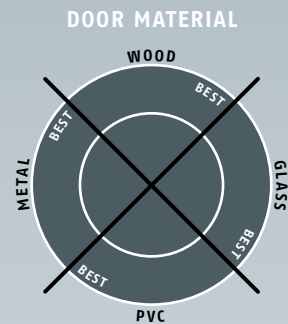
Advertising text



Planet BM-R Ø9/40 mm floor recess plate (stainless steel)
Floor recess plate Planet BM-R Ø9/40 mm appropriate for driving bar rods up to max. Ø8 mm, for double leaf doors and sound-, smoke- and fire protection doors, stainless steel (polished surface).

Planet F threshold plate

→ 35 x 6,5 mm / 50 x 6,5 mm



Main features

- Convenient to bridge a level up to **6 mm**
- From **≤ 30 dB** recommended separation of the supporting floor
- Threshold plate to paste
- Optimal connection of two prefabricated floors
- An even block surface for all Planet drop-down seals for an optimal sound protection.
- With two toothed adhesive cement grooves for an enlarged surface to make sure an optimal bond
- Separating underlay advisable
- 7 years warranty

Versions

- Width 35 or 50 mm
- Surfaces: silver anodised EV1
- Stainless, polished surfaces (→ refer to chapter Accessories)
- Holes to Planet F threshold plate (→ refer to chapter Accessories)

Assembly

- Paste with flexible cement or sealing material on a surface free of grease and dust (e.g. TEROSTAT 935)
- On any surface, except deep-pile fabrics, they must be cut flush to edge

Door types with Planet F

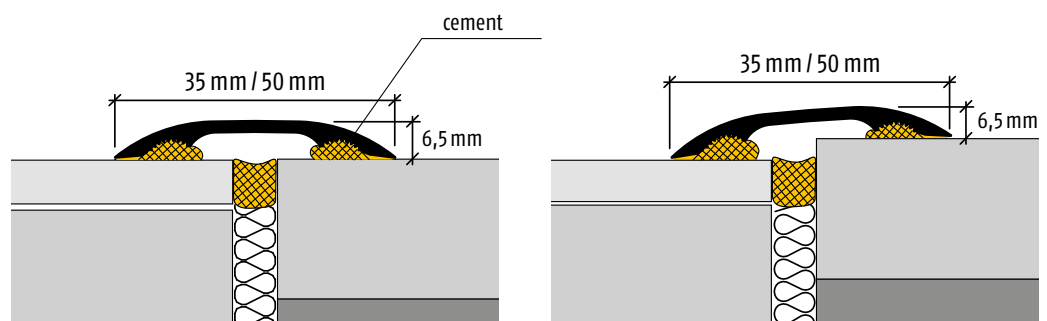


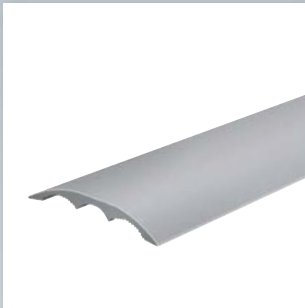
More functions



Technical specifications

Profile material	Aluminum, width → 35 mm or 50 mm
Height	6,5 mm
Color	Silver anodised EV1 (aluminum)
Lengths in stock	650, 750, 850, 950, 1050, 1150, 1250, 1350, 1450 mm
Special lengths	up to 6000 mm
Fastening	to paste with a flexible cement or sealing material

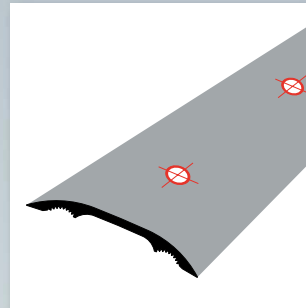




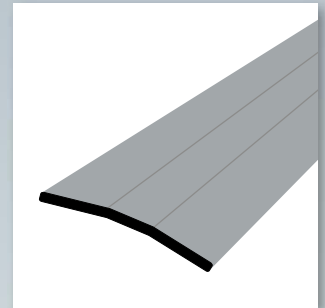
Planet F35 profile (width 35 mm)



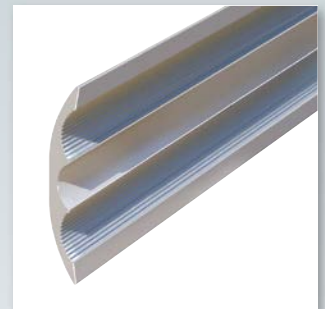
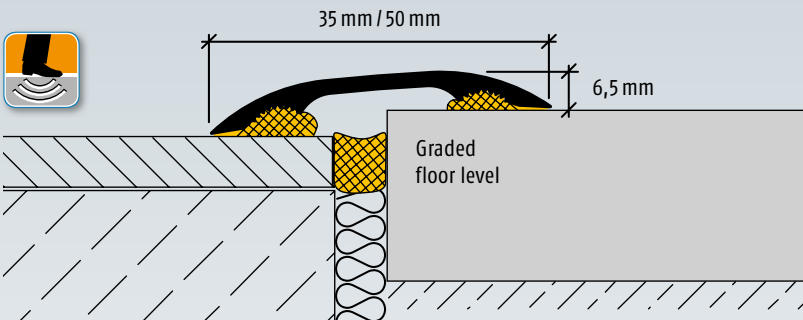
Planet F50 profile (width 50 mm)



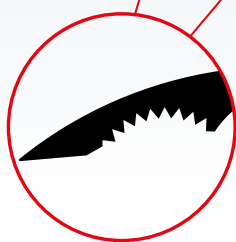
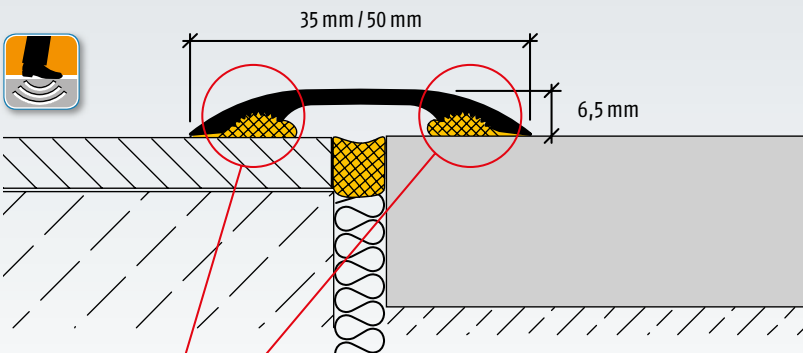
Option: Holes to Planet F threshold plate



Option: Planet F threshold plate in stainless steel, brushed



Planet F profile from bottom, with toothed cement grooves to make sure an optimal bond



with two toothed adhesive cement grooves for an enlarged surface to make sure an optimal bond

Order specifications

Planet F35 mm → silver anodised EV1 (aluminum)	Prod. code 68xxx*
Planet F50 mm → silver anodised EV1 (aluminum)	Prod. code 48xxx*

* xxx = refer to price list for profile length

Advertising text

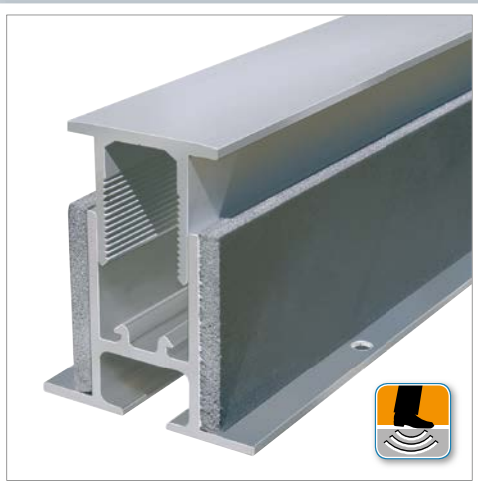
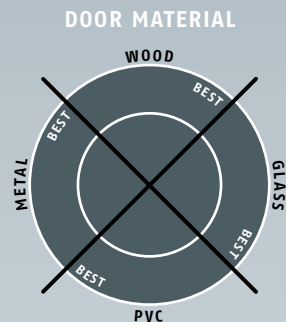


Planet F → Threshold plate to be glued

Threshold plate **Planet F** convenient for graded and even passings. Optimal support surface to glue on. Silver anodised EV1 (aluminum). With two toothed adhesive cement grooves for an enlarged surface to make sure an optimal bond.

Planet BT floor separation threshold

→ 40 x 60 mm / 60 x 60 mm



Main features

- For a perfect acoustic interruption
- From ≤ 30 dB recommended separation of the supporting floor
- Very nice optical solution
- An even block surface for all Planet drop-down seals for an optimal sound protection.
- Is cast in the floor base
- Large adjustment range
- Suitable for one or two sealing planes
- Basic profile prepared for mortar protection
- Basic profile prepared with acoustic insulation stripes on the left and right
- 7 years warranty

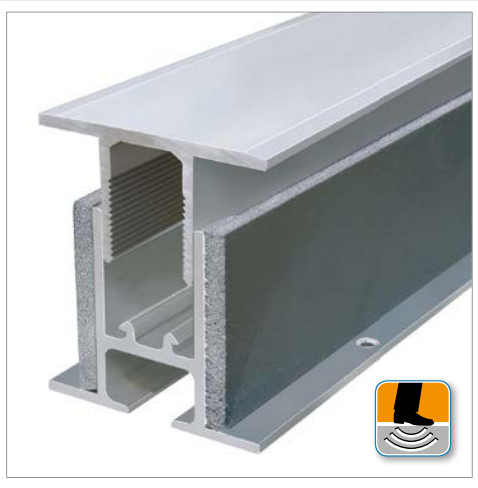
Versions

- Planet BT 803, 40 mm, complete
- Planet BT 804, 60 mm, complete

Door types with Planet BT

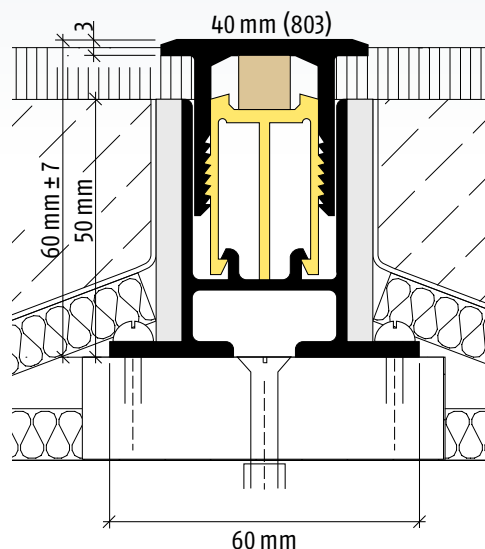


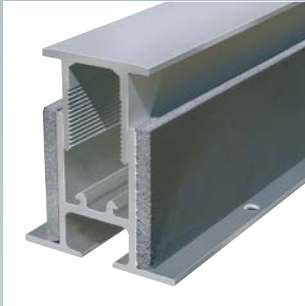
More functions



Technical specifications

Profile material	Aluminum, width → 40 mm or 60 mm
Height	adjustable from 53 up to 67 mm
Color	Silver anodised EV1
Lengths in stock	750, 850, 950, 1050, 1150, 1250, 1350, 1450 mm
Special lengths	on request up to 6000 mm
Can be shortened	yes
Fastening	Base profile: prepared holes in the base profile Surface element: with snap-in claws

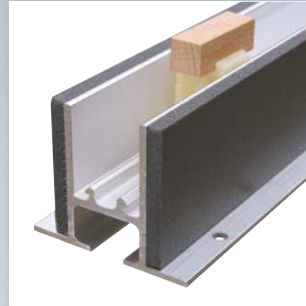




Planet BT 802 basic profile and BT 805 surface element 40 mm attached in fastening cam



Planet BT 802 basic profile with styrofoam, Prod. code 900061



Planet BT 802 basic profile with fastening cam



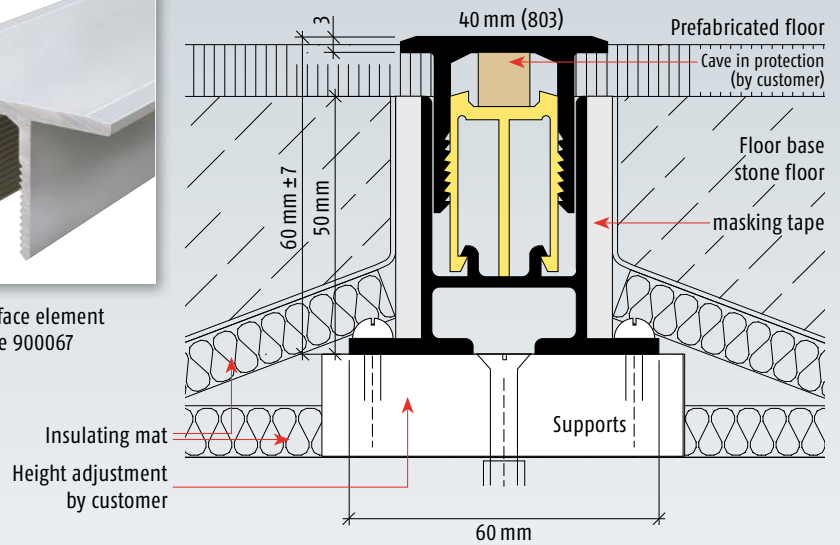
Planet BT fastening cams and wooden support to prevent the carpet to cave in, Prod. code 900064



Planet BT 805 surface element 40 mm, Prod. code 900062



Planet BT 806 surface element 60 mm, Prod. code 900067



Order specifications

<p>Planet BT 803 40 mm, complete consisting of: BT 802, 805 and fastening cam</p>	Prod. code 45xxx*
<p>Planet BT 804 60 mm, complete consisting of: BT 802, 806 and fastening cam</p>	Prod. code 46xxx*

* xxx = refer to price list for profile length

Accessories | Options

Planet BT fastening cam	Prod. code 900064
Planet BT 802 base profile for Planet BT 805 / 806,	Prod. code 900061 per meter
Planet BT 805 40 mm, surface element for Planet BT 802	Prod. code 900062 per meter
Planet BT 806 60 mm, surface element for Planet BT 802	Prod. code 900067 per meter


Advertising text





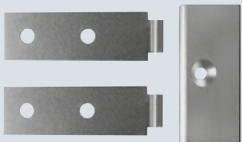








Planet BT → Floor separation threshold

Stone Floor separation threshold **Planet BT** for the best acoustic separation, from acoustic value 30 dB. Upper part Upper part from aluminum, width → 40 mm or → 60 mm. Simple height adjustment between → 0 up to 14 mm.

Planet accessories

		Specifications	Prod. code
	Cut the Planet on fixed dimension	All Planet types except Planet KG, MinE, X3	900200
	Cut the Planet on fixed dimension Planet KG und MinE	Planet KG and MinE	900225
	Cut the Planet on fixed dimension Planet X3	Planet X3	900127
	Cover plate, galvanized, raw	Planet FT and RF	70010
	Cover plate, pair	Planet Socle	19010
	Set of Planet cover plates	Planet KG-S L R, KG-A8 A10, KG-F10 F12, KG-D8 D10, KG-U, KG-SL10	900252
	Set of Planet cover plates	KG-F8 narrow KG-S narrow	900836
	Floor guide, play	Planet SL and Planet KG-SL10	900217
	Cap to floor guide	Planet KG-SL10	
		silver anodised EV1	900454
	stainless steel satin anodised	900455	
	Adhesive tape, including mirror adhesive tape and optical film, for one piece, max. 1460 mm	Planet KG-S	900221
	Adhesive tape, including mirror adhesive tape and optical film, for one piece, max. 1460 mm	Planet KG-S narrow	900837
	Planet stopping block, 1 set, DIN L and DIN R applicable (see Planet Socle)	Planet Socle and Planet KG-S	900424
	Assembly set NA (invisible mounting brackets) wood 2 mounting brackets incl. nails and stopping plate for wooden doors. Also for Planet fixing with a long forend.	Planet HS, HS-plus RH, KT, SL, MF, MF-plus	900879

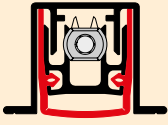

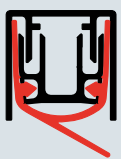






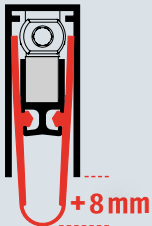
		Specifications	Prod. code
	Assembly set HS wood	Planet HS, RH, SL and GH	900180
	Montageset MF metal	Planet MF	900261
	Assembly set MF wood	Planet MF	900262
	Assembly set ZA wood	Planet ZA	900927
	Assembly set RS for several system manufacturers	PVC Universal	900507
		ALU Universal	900508
		Aluplast	900505
		Everest	900506
		Gealan	900502
		Kömmerling	900503
		Rehau	900504
		Schüco	900501
Veka	900500		
	Assembly set MinE wood	Planet MinE	900462
	Assembly set MinE-F wood	Planet MinE-F	900828
	Assembly set TW / US wood	Planet TW / US	900696
	Assembly set TW / US metal	Planet TW / US	900671
	Assembly set X3 wood	Planet X3	900096
	Assembly set X3 metal	Planet X3	900097

Planet accessories (continuation)




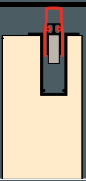

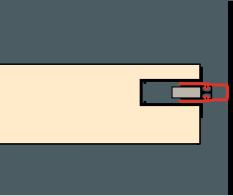
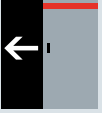
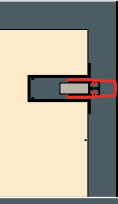
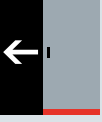
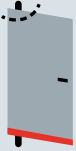
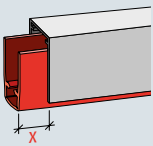
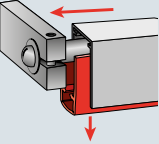
		Specifications	Prod. code
	Planet set for shortening X3	Planet X3	900110
	Planet cut assistance X3	Planet X3	900930
	Planet corner plate set X3 sheet metal	Planet X3	900137
	Planet corner plate set X3 aluminium	Planet X3	900136
	*Planet frame protector plate type 1 (standard), stainless → 20 x 20 x 5 mm	All Planet types	900014
	*Planet frame protector plate type 2, incl. screws, stainless → 38 x 21 x 1 mm	All Planet types	900188
	*Planet frame protector plate type 3, incl. screws, stainless → 38 x 20,5 x 3 mm	All Planet types	900395
	Planet strike plate → 65 x 25,5 x 4 mm	Flush bolt down	900278
	Planet strike plate → 39,5 x 13,5 x 2 mm	Flush bolt up	900330
	Trigger plate for pulling → 20 x 8 x 50 mm, 20 x 8 x 70 mm, 20 x 8 x 80 mm	Inverse release	
			20 x 8 x 50 mm 900398
			20 x 8 x 70 mm 900418
		20 x 8 x 80 mm 900557	

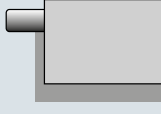
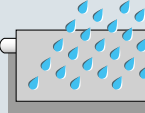
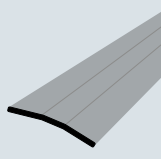
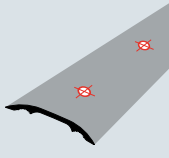


*Frame protector plate: More options on request

Planet options

			Specifications	Prod. code
 <p>Option «plus»</p> 				
			Planet PU-plus	900912
			Planet RS-plus	900911
			Planet KT-plus	900006
 <p>Option bevel lip, DIN L and DIN R → for uneven floors</p> 			Planet MF, RO, KT, RS, PU, KG, TW, US	
			8 mm profiles	900893
			13 mm profiles	900894
			20 mm profiles	900895
 <p>Option round lip</p> 			Planet MinE, GH, SL, KG-SL10	900910
 <p>Silicone-free execution TPE (certificate on request)</p>			Planet HS, KT, FT, MF, RO, RS, PU, ZA	900913
 <p>Option Anti-bacterial (certificate on request)</p> 			Planet HS, FT and ZA	900606
 <p>Lip extension by → +8 mm</p>			Planet HS, FT and ZA	900914

Planet options (continuation)

		Specifications	Prod. code
	Option folding doors G-G → for all Planet types		900918
	Option for circular doors → in parts	Planet FT, RF, GH and PU	900919
	Installation drop-down seal on the top → for all Planet types		900915
	Installation drop-down seal vertical → for all Planet types		900916
	Installation drop-down seal horizontal → for all Planet types		900917
	Option for sliding door → for all Planet types		900908
	Option pivot doors → on request	Planet HS, HS-plus, KT, FT, FT-plus, RH, RF	900920
		13 mm profiles	900920
	Silicone lip protrudes → for all Planet types → Hinge side: ... mm → Lock side: ... mm		900440
	Inverse release → release by pulling	Planet HS, FT, RH, RF, MF, RO, RS, PU, GH, TW, US	900909

		Specifications	Prod. code
	Option for heavy duty application		
		13 mm profiles	900783
	Corrosion-resistant mechanism, without felt		
		13 mm profiles 20 mm profiles	900793
	Planet F threshold plate in stainless steel		900921
	Holes to Planet F threshold plate		900922
	Option stainless steel satin anodised for Planet KG	Planet KG-S	900896
		Planet KG-SM-Set	900896
		Planet KG-S narrow	900906
		Planet KG-SM-Set narrow	900906
		Planet KG-F8 narrow	900907
		Planet KG-F10	900898
		Planet KG-F12	900899
		Planet KG-A8	900900
		Planet KG-A10	900901
		Planet KG-D8	900902
		Planet KG-D10	900903
		Planet KG-U	900904
		Planet KG-SL10	900905
Planet KG-MinE-S10	900004		
	Profiles with special colors, anodized or powder coated → Planet Socle*, Planet KG*, Planet F threshold plates * cover plates are not available in special colors		900623

Planet drop-down seals

 SWISS MADE



Bundeshaus (Swiss Parliament House), Berne

Milling cutters / routing aid 182 | Shortening 183 | Lift height adjustment 184
Explanation of DIN direction 185 | General information, maintenance 186
Installation instructions 187 | Soundproof 188 | Smokeproof 190 | Fire resistant 191
Planet test approval 192 | Impact noise 193 | Escape route (emergency exit) 194
Sound Laboratory 195 | Low energy building, passive building a.s.o. 201

Technique

5

Advertising material

6

Milling cutters / routing aid → To obtain from the professional trade

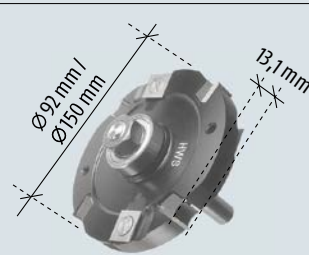
Tools / auxiliary aids for efficient machining of Planet seals, width 8 and 13 mm

Indexable mini-plates 8,1 mm
with stopping bearing, right-hand rotation, for hand milling machines, for manual forward feed



HWS AG | www.hws-tools.ch

Indexable mini-plates 13,1 mm
with stopping bearing, right-hand rotation, for hand milling machines, for manual forward feed

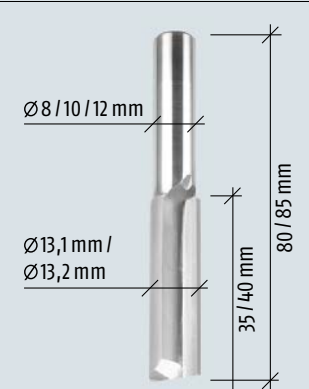


LEUCO Ledermann GmbH & Co. KG | www.leuco.com



HWS AG | www.hws-tools.ch

Grooving cutter
right-hand rotation, for hand milling machines, for manual forward feed



Festool Group GmbH & Co. KG | www.festool.com

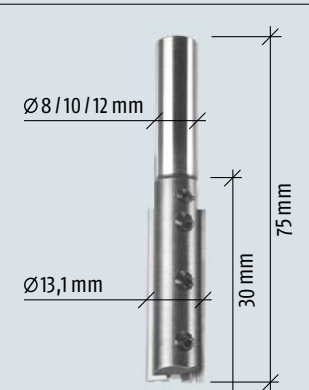


Leitz GmbH & Co. KG | www.leitz.org



HWS AG | www.hws-tools.ch

Indexable mini-plates
right-hand rotation, for hand milling machines, for manual forward feed



HWS AG | www.hws-tools.ch

Routing aid:
Appropriate for all Festool Milling



Festool Group GmbH & Co. KG | www.festool.com

- Assistance for all Festool routers, for milling of narrow wood sections
- using the sliding jig tool, the router is securely guided along narrow door edges

Shorten the Planet drop-down seals

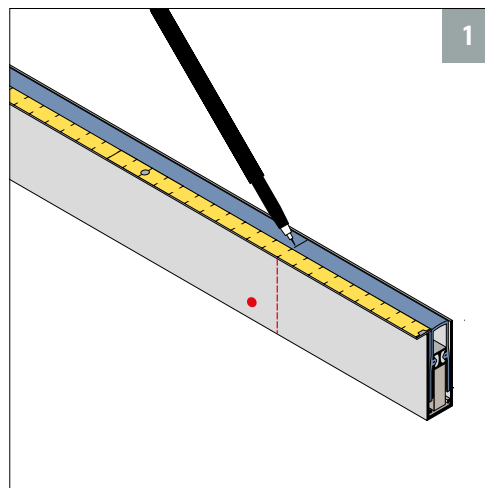
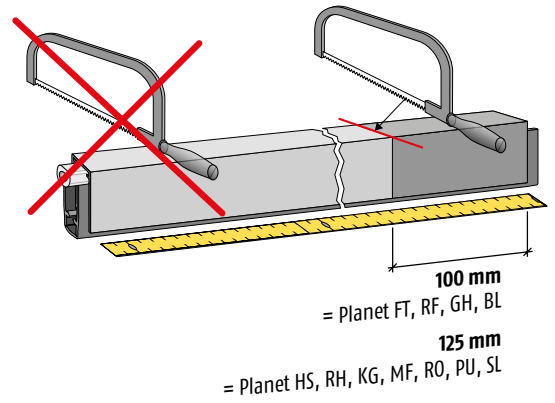
→ Example to shorten the Planet HS

Shortening dimensions

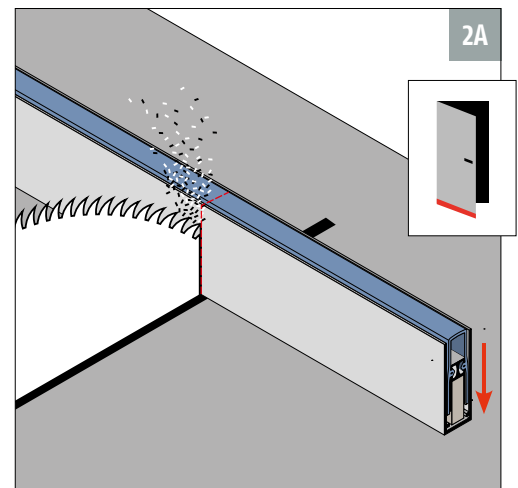
Never shorten on the release knob side!

100 mm at maximum:
Planet FT, RF, GH, BL

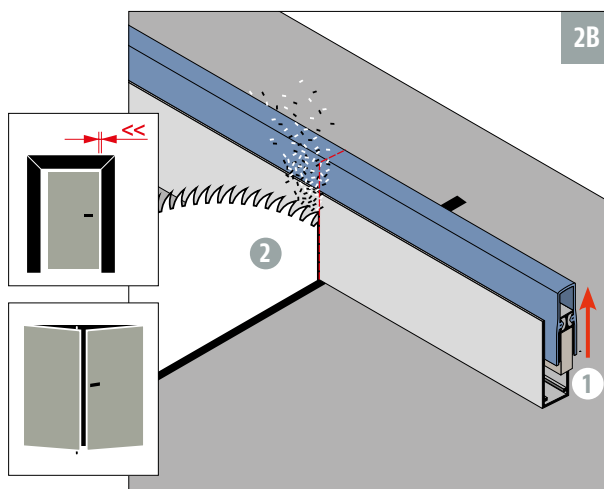
125 mm at maximum:
Planet HS, RH, KG, MF, RO, PU, SL



1 Mark the location of cut

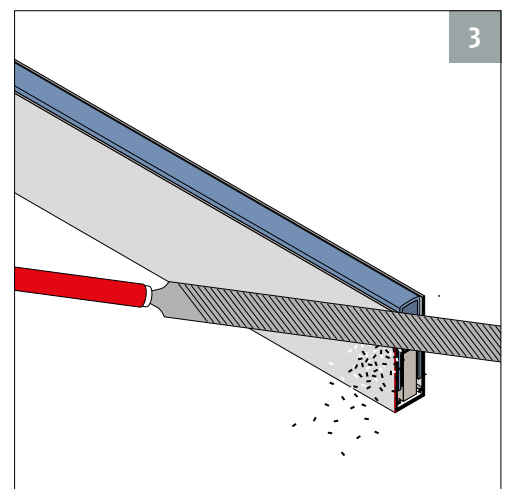


2A **Single-wing applications.** Shorten with circular or hand saw.



2B **Double-wing applications or a small fold air on lock side.** Shorten the seal in released condition.

(→ refer also to Planet installation instructions)

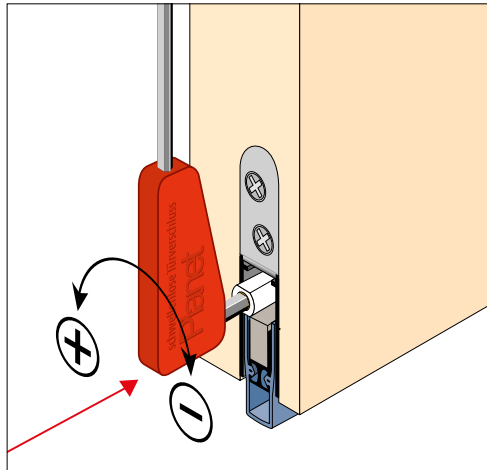


3 Deburr the edges and remove the sawdust.

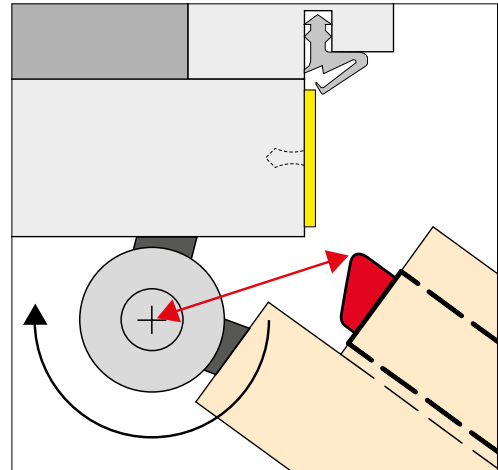
Lift height adjustment of the Planet drop-down seals

→ Release knob always on hinge side for double-leaf / folding doors, on lock side for sliding doors

Precise adjustment by rotating the release knob high lift height, great fold space with a 3 mm Allen key.



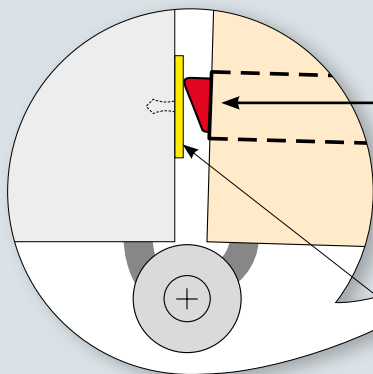
⊕ high lift height, great fold space
⊖ small lift height, small fold space



Correct final position of the release knob, the pin is away from the hinge pivot.

Please observe! Adjust the lift height until the silicone lip tightens well on the floor at closed door. Avoid any pressure carried out to the floor.

Simply smart – release knob from Planet

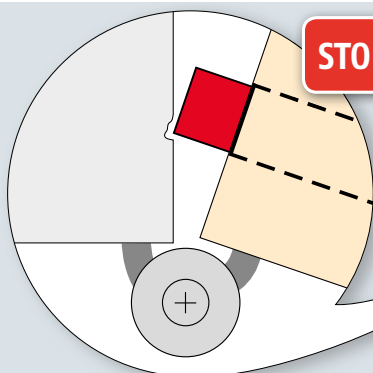


Best possible release

because of the beveled Planet release knob, you can adjust the seal perfectly

Very little floor scraping with Planet release knob

The wooden frame is protected with the Planet stopping plate against unwanted damage. (For wooden frames we always recommend our Planet stopping plate.)



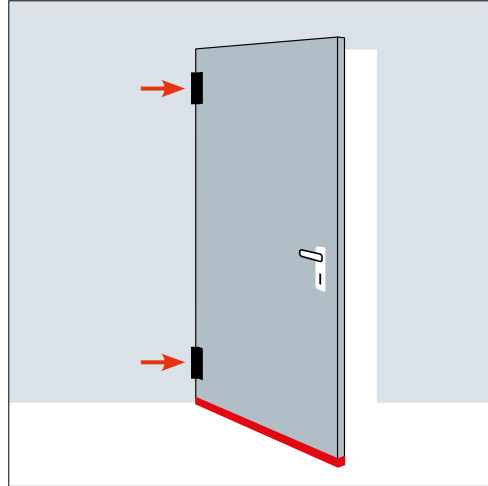
STOP!

Released too soon – seal scrapes the floor

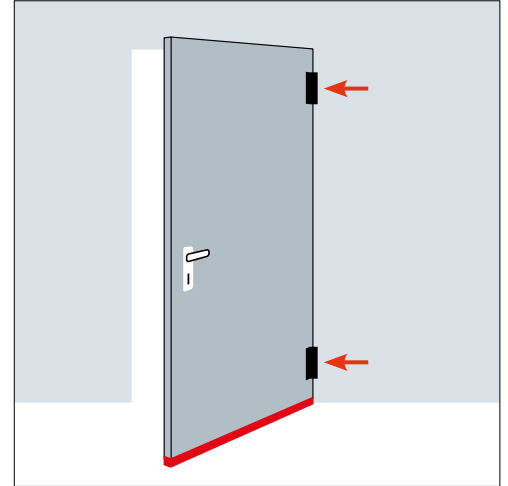
Very long scratching with regular release knob

Explanation of DIN direction

Single leaf doors, hinged

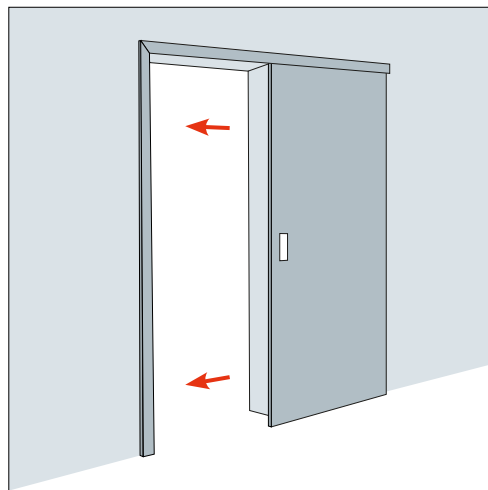


DIN L (right handed)
Door hinges left = **DIN left**

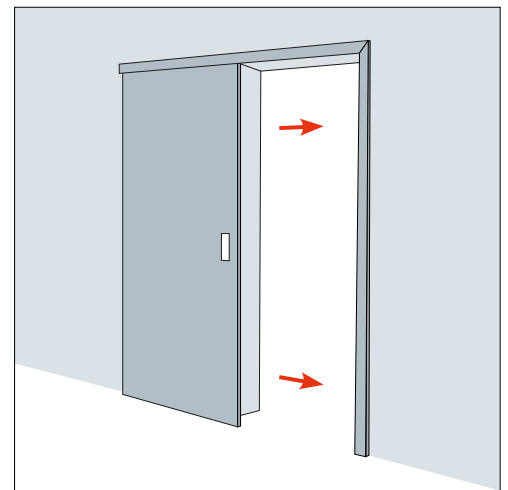


DIN R (left handed)
Door hinges right = **DIN right**

Sliding doors

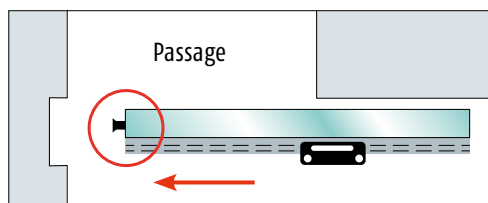


DIN left
Sliding door closing to the left (like e.g. above)
= **DIN left**

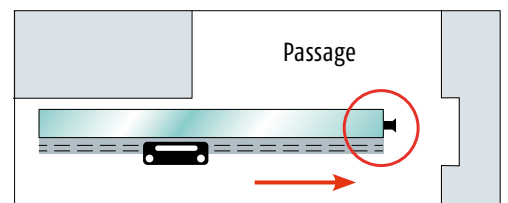


DIN right
Sliding door closing to the right (like e.g. above)
= **DIN right**

Glass sliding doors



DIN left
Glass sliding door closing to the left (like
example above) = **DIN left**



DIN right
Glass sliding door closing to the right (like
example above) = **DIN right**

General information, maintenance

→ The following information regarding the drop-down seals and accessories has to be followed.
There is no warranty or liability on our part in case of disregard.

General remarks and supplements for the use, operation and maintenance of Planet drop-down seals

1. Coating or laquer

Do not coat or paint the Planet drop-down seal.

2. Maintenance

Check every two years for function (release knob, sealing blade, lift height) and dirt, clean if necessary. Never grease the sealing lip.

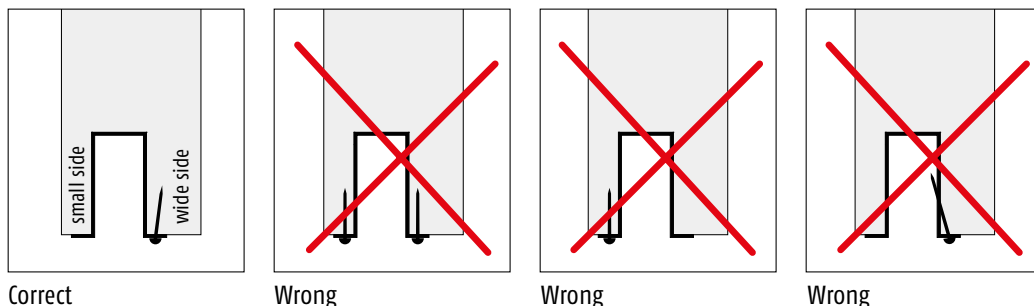
Planet MinE: vacuum the door edge regularly. Every 2 years uninstall the angle bracket on one side. Take out the seal to vacuum. Installing in the reverse order. Check function (release knob, sealing blade, lift height). Never grease the sealing lip.

3. Check

The Planet drop-down seal has to be checked every second year for function and damages.

4. Correct fastening of the Planet drop-down seals to be fixed from the bottom

It is important to choose the larger door part for the fastening. We recommend to fix the nails or screws only on the larger part. Do not drill or treat the drop-down seal in any way, except the regular processing to shorten according to our installation instructions. The holes for flush bolts and driving bars rods are prepared by the factory.



5. Important!

Do never press the drop-down seal during the fastening p otherwise the drop-down seal will be damaged or results in a misfunction.

6. Workmanlike use

A Planet drop-down seal in the sense of this definition is a component installed with regard to tighten doors, sliding doors, accordion doors of any kind and materials against sound, smoke and draught.

Important:

We reserve the right to add or modify at any time this information and instructions

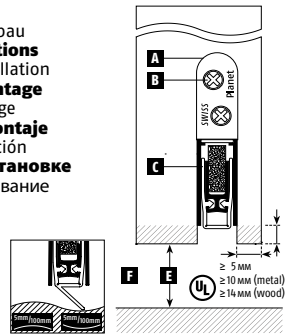
Planet installation instructions

→ Assembly instructions on request or on our website: planet.ag

Planet HS | MF | RS | GF | RH | KT | VL | US | TW

- ➔ **Montageanleitung**
Vorbereitung und Einbau
- ➔ **Installation instructions**
Preparation and installation
- ➔ **Instructions de montage**
Préparation et montage
- ➔ **Instrucciones de montaje**
Preparación e instalación
- ➔ **Руководство по установке**
Подготовка и встраивание

Planet GDZ AG
Neustadtstrasse 2, P.O.Box
CH-8317 Tagelswangen / Zurich
Switzerland
Phone +41 (0)43 266 22 22
Fax +41 (0)43 266 22 23
mail@planet.ag
www.planet.ag



- A. - Haltewinkel
- Angle bracket
- Équerre de fixation
- Escuadra de fijación
- Крепёжный уголок
- B. - Schrauben (beiliegend)
- Screws (enclosed)
- Vis (à-jointes)
- Tornillos (incluidos)
- Саморезы (прилагается)
- C. - Abdeckdichtung
- Drop-down seal
- Joint à abaissement
- Buriete-guillotina Planet
- Выдавливающий уплотнитель
- D. - Kürzereich ohne Demontage
- Shortening range without dismantling
- Zone de raccourcissement sans démontage
- Tramo de acortamiento sin desmontar
- Область укорачивания без снятия
- E. - Bodenluft
- Bottom door gap
- Escot por el suelo
- Espacio de luz hasta el suelo
- Зазор до пола

Überdruck getestete Dichtungen für Anwendung in geprüften Metall-Brandschutztüren bis 3 Stunden, für Holz-Brandschutztüren bis 1½ Stunden und für Brandschutztüren mit Holzleim bis 20 Min. Planet RO, RS und SL sind für Holzleim nicht zugelassen.

Positive-pressure-tested gasketing materials for fire doors for application to hollow-metal-doors rated up to 3h, wood-composite-type 1½h and wood core rated up to 20 minutes, category J. Planet RO, RS and SL are not approved for wooden doors.

Joints testés par surpression pour l'application dans des portes coupe-feu approuvées jusqu'à 3 hrs, pour portes coupe-feu en bois jusqu'à 1,5 hrs et pour portes coupe-feu avec noyau de bois jusqu'à 20 min. Planet RO, RS et SL ne sont pas approuvés pour des portes en bois.

Materiales acortados para la presión y puertas retardantes al fuego (J, h. puertas metálicas; 90 min., para puertas ignífugas de madera y para puertas de madera resistentes al fuego 20 min.). El Planet RO, RS y SL no tienen certificados de resistencia al fuego, en puertas de madera.

Уплотнители, испытанные под давлением для применения в испытанных противопожарных дверях металлокерамики до 3 часов, деревянных до 1½ часов и с деревянной сердцевиной до 20 мин. Planet RO, RS, SL недопустимо применять для деревянных дверей.



Verwendungszweck: Planet-Dichtungen werden in Türen eingebaut und verschlossen die Bodenlücke automatisch. Bitte Anleitung vorgängig lesen.
Intended use: Planet seals should be installed in doors and closing the bottom door gap automatically. Please read the instructions previously.

Emploi prévu: les joints Planet sont montés dans des portes et ferment la jointure au sol automatiquement. Lire les instructions au préalable.

Finalidad de su utilización: los Planet deben ser instalados en las puertas, para sellar el espacio de luz hasta el suelo automáticamente. Por favor, léanse las instrucciones de antemano.

Область применения: Уплотнители Planet встраиваются в двери и сами закрывают зазор до дерева. Прочтите, пожалуйста, руководство заранее.

	RS	MF	GF	HS + RH	KT	VL	US	TW
Nut Groove Rainure Ranura Нап								
Abdeckdichtung Drop-down seal Joint à abaissement Cierre hermético retráctil automático Выдавливающий уплотнитель								

2

● Nut möglichst nah zur Zargendichtung (Achtung: Mass **F**, Seite 1.) ● Spitze vom Band abgewendet
● Groove nearby as possible frame seal (Attention: dimension **F**, page 1.) ● Top of pin away from the hinge pivot.
● La rainure si proche que possible vers le joint du cadre (attention: mesure **F**, page 1) ● la pointe est détournée du gond
● Ranura lo más alejada posible de las bisagras (atención: medida **F**, ver pág.1) ● Extremo del botón alejado del eje de rotación
● Нап возможно близко к уплотнителю коробки (внимание: размер **F**, стр. 1) ● Острые концы повернуть от петли

3

Vorbereitung zum Kürzen: ● Dichtung 1-2 mm kürzer als Türbreite; ● Kürzmass: bis zur nächsten Lagerlänge (max. 125 mm)
Preparation for shortening: ● seal should be 1-2 mm shorter than the door width; ● shortening range: up to the next stock length (max. 125 mm)
Préparation au raccourcissement: ● joint 1-2mm plus court que la largeur de porte; ● mesure du raccourcissement: jusqu'à la prochaine longueur en stock (125 mm au maxi)
Acortamiento de Planet: ● El Planet debe ser 1-2 mm más corto que el ancho de la hoja; ● tramo de corte: hasta la siguiente medida en stock (máx. 125 mm)
Подготовка к укорачиванию: ● уплотнитель на 1-2 мм меньше ширины двери; ● укорачивание: до следующей складской длины (наиб. 125 мм)

4a

● Dichtung kürzen, Späne entfernen; ● Funktionskontrolle
● Shorten the seal, remove shavings; ● Operational check
● Raccourcir le joint, enlever les copeaux; ● Contrôle de fonctionnement
● Acortamiento de Planet, eliminar las virutas ● Ajustar la carrera
● укоротить уплотнитель, удалить опилки; ● проверить работоспособность

4b

Dichtung kürzen im ausgelösten Zustand:
● 1-flügelige Türe: geringe Fallluft < 4 mm; ● 2-flügelige Türe: geringe Fallluft < 8 mm;
● Dichtlippe ausfahren; ● Dichtung kürzen, Späne entfernen; ● Funktionskontrolle
Shorten the seal in released situation:
● single-wing door: small joint clearance < 4 mm; ● double-wing door: small joint clearance < 8 mm;
● extend seal lip; ● shorten the seal, remove shavings; ● operational check
Raccourcir le joint en état déclenché:
● porte à 1 battant: rainure étroite < 4 mm; ● porte à deux battants: rainure étroite < 8 mm;
● sortir la lèvres d'échappée; ● raccourcir le joint, enlever les copeaux; ● contrôle de fonctionnement
Acortamiento de Planet en posición de bajada:
● Puertas de 1 hoja: distancia de la puerta al marco < 4 mm; ● Puertas de hoja doble: distancia de la puerta al marco < 8 mm; ● Accionar el Planet ● Acortamiento del Planet, limar rebabas ● Regular la carrera
Укорачивать уплотнитель в выдвинутом состоянии:
● 1-польная дверь: зазор в притворе < 4 мм; ● 2-польная дверь: зазор в притворе < 8 мм;
● выдвинуть уплотняющую ленту; ● укоротить уплотнитель, удалить опилки; ● проверить работоспособность

5

Montage der Dichtung: ● vorbohren der Schraubenlöcher; ● Dichtung einlegen; ● Haltewinkel befestigen
Assembly of the seal: ● perform the pilot-drills for screws; ● insert the seal; ● fix the angle bracket
Montage du joint: ● percer des avant-trous; ● insérer le joint; ● attacher l'équerre de fixation
Montaje del Planet: ● Marcar los orificios para los tornillos ● Embutir el Planet en la ranura ● Atornillar la escuadra de fijación
Установка уплотнителя: ● просверлить отверстия под саморезы; ● вложить уплотнитель; ● закрепить крепежные уголки

6

Auflaufplatte mittig auf Druckstelle einschieben (bei Holzlage)
Drive in the stopping plate in the center of the pressure mark for wooden frame
Enfoncer la plaque d'appui au milieu de l'empreinte (cadre à bois)
Clavar la pletina en el marco (marcos de madera)
Забить упорную пластину в середине места нажима (при деревянной коробе)

7

Einstellen Hub mit Innbuschhülse (3 mm), Bodenanspressung vermeiden! (siehe Dichtungshöhe **E**), Funktionskontrolle
Lift height adjustment with allen key 3 mm, avoid pressing to the floor! (see seal height **E**), operational check
Régler la course avec clé Inbus 3 mm, éviter le pressage au sol! (voir hauteur du joint **E**), contrôle de fonctionnement
Ajustar la carrera con una llave Allen (3 mm), hasta que el labio de silicona apriete bien en el suelo. Evitar una presión excesiva contra el suelo. (espacio bajo la puerta: ver **E** para el ajuste de carrera)

8

Wartung: Alle zwei Jahre auf Funktion (Knopf, Dichtlippe, Hub) und Verschmutzung prüfen, falls nötig Reinigen. Dichtlippe nicht fetten.
Entsorgung: Dichtung nach Materialart (Aluminium, Stahl, PA) zerlegen und recyceln. Dichtlippe ist Restmüll. Bitte beachten Sie die gesetzlichen Vorschriften in Ihrem Land.
Mehr Informationen unter: www.planet.ag
Maintenance: Check every two years for function (release knob, sealing blade, lift height) and dirt, clean if necessary. Never grease the sealing lip.
Recycling: separate the seal according to material types (aluminium, steel, PA) and recycle. The silicon lip is residual waste. Please follow the regulations in your country.
For more information: www.planet.ag
Entretien: examiner tous les 2 ans le fonctionnement (bouton, lèvres d'échappée, course) et l'encrassement, nettoyer si nécessaire. Ne jamais graisser la lèvres d'échappée.
Recyclage: réduire le joint à ses composants (alu, acier, PA). la lèvres d'échappée est un déchet usuel. Suivre les prescriptions du pays app.
De plus amples renseignements sous: www.planet.ag
Mantenimiento: Revisar el funcionamiento cada 2 años (funcionamiento del botón de empuje, del deslizador del Planet y de su correcta bajada hasta el suelo). Si es necesario, limpiar suciedad y reajustar.
Reciclaje: separar los distintos componentes del Planet (aluminio, acero, PA) y reciclarlos. El labio de silicona es desecho residual. Sigla las instrucciones de su país.
Más información: www.planet.ag
Обслуживание: проверять каждые два года на работоспособность, функцию, высоту, и на загрязнение, при необходимости очищать. Не смазывать уплотняющую губу-лапчатку!
Утилизация: разбирать уплотнитель по видам материалов (алюминий, сталь, пластик) и сдать в переработку, во избежание попадания в бытовому мусору. Принимайте, пожалуйста, во внимание основные предписания в Вашей стране.
Больше сведений на: www.planet.ag

Soundproof → State: first of May 2010



Principle	Planet examines all drop-down seals for sound absorbing performance. Two methods are applied.												
Joint sound insulation	The first measures the joint sound insulation. But this method measures and evaluates only the drop-down seal according to DIN EN ISO 10140. This determines a basic value at a floor clearance of 7 mm. Our partner for these measurements is the ift in DE-Rosenheim.												
Element examination	<p>In addition to this we perform diverse sound protection measurements with complete doors according to DIN EN ISO 10140-3. The test stand corresponds to DIN EN ISO 10140-1, partner ift-Rosenheim.</p> <p>The corresponding test reports/approvals can be ordered at our company.</p> <p>In addition we have carried out countless element tests together with our customers around Europe and in overseas.</p>												
Definition of the sound level in dB (decibel)	<p>Corresponds to the acoustic pressure level and represents a logarithmic measure of the power of sound incident. It serves even to determine the sound protection in the field of the architectural acoustics. Examples for the acoustic pressure level adapted to the human ear dB (A).</p> <table><tr><td>- Quiet room in the night</td><td>approx. 15–25 dB (A)</td></tr><tr><td>- Quiet room during the day</td><td>approx. 30–35 dB (A)</td></tr><tr><td>- Normal speech</td><td>approx. 60 dB (A)</td></tr><tr><td>- Traffic noise</td><td>approx. 70–80 dB (A)</td></tr><tr><td>- Workshop noise</td><td>approx. 90–100 dB (A)</td></tr><tr><td>- Threshold of pain</td><td>approx. 120 dB (A)</td></tr></table>	- Quiet room in the night	approx. 15–25 dB (A)	- Quiet room during the day	approx. 30–35 dB (A)	- Normal speech	approx. 60 dB (A)	- Traffic noise	approx. 70–80 dB (A)	- Workshop noise	approx. 90–100 dB (A)	- Threshold of pain	approx. 120 dB (A)
- Quiet room in the night	approx. 15–25 dB (A)												
- Quiet room during the day	approx. 30–35 dB (A)												
- Normal speech	approx. 60 dB (A)												
- Traffic noise	approx. 70–80 dB (A)												
- Workshop noise	approx. 90–100 dB (A)												
- Threshold of pain	approx. 120 dB (A)												
Evaluated sound insulation measure R_w	The measured R-curve (R = sound insulation measure) is compared with a standard curve which is moved against the measured curve until the deviation is situated in a defined range of tolerance. The value reading at 500 Hz of the standard curve amounts to the R_w -value as an individual indication.												
Transmission by an indirect path	R_w means a laboratory value (without indirect path transmission) opposite to the R'_w (construction value with indirect path transmission).												
Impact noise	<p>The impact noise has to be observed beside the airborne sound. This noise is often ignored at the planning of the noise insulation value. The impact noise is a noise transmission through the solid. One has especially to observe the floor. We recommend a separation of the floor base, a cut in, between the two rooms from $R_w \geq 30$ dB (A) . The room separation by walls is also guaranteed in the floor. This seam can be bridged again by a threshold plate F or a floor separation sill of Planet.</p> <p>→ refer to the chapter Impact noise.</p>												
Test laboratory	ift Rosenheim, DE-83026 Rosenheim, Germany												



Soundproof → State: first of May 2010



Sound protection requirements in Switzerland

Base SIA 181 (example)		minimum requirement	increased requirement
Multifamily residence	apartment door	42 dB	52 dB (hardly attainable)
	room doors	42 dB	37 dB
Hospitals	room doors	32 dB	42 dB
Schools	doors of classrooms	27 dB	–
Doctors / Banks / Lawyers	doors of discussion rooms	–	45 dB

Sound protection requirements in Europe

Base DIN 4109 Tab 3 (example)	Sound protection grade according to VDI 3828	required R_w on the building	required $R_{w,p}$ in laboratory
Doors leading from entrance halls or stairwells in halls of apartments or residence halls or working rooms	SK 1	27 dB	32 dB
Doors leading from entrance halls or stairwells immediately in recreation rooms – except halls – of apartments	SK 3	37 dB	42 dB
Doors between entrance halls and bedrooms	SK 2	32 dB	37 dB
Doors between – examination resp. consultation rooms – entrance halls and examination resp. consultation rooms	SK 3	37 dB	42 dB
Rooms between – entrance halls and patient rooms – operating rooms resp. treatment rooms – entrance halls and operating rooms resp. treatment rooms	SK 2	32 dB	37 dB
Doors between classrooms or similar rooms and entrance halls	SK 2	32 dB	37 dB

Smokeproof → State: first of May 2010



Principle All of our seals in the execution sound- and smoke protection and sound-, smoke- and fire protection are convenient for the smoke protection. The guidelines and standards of the individual countries are the base for it. The most important test and standard is the DIN 18095 for Germany and the EU as well.

Test method In cooperation with the Materialprüfungsamt Nordrhein-Westfalen, MPA NRW we test our products according to DIN 18095 18 for the suitability in smoke protection. Two fields are checked with it. The first is the lifetime test. This one requires 200 000 closing and opening cycles without troubles. During the new developments our seals perform several millions of movements. The second topic is the test 1:1 on the door test stand. The same temperature range of max. 200°C is applied and the same excess pressures and vacuums are tested as with complete smoke protection elements. The values we achieve are clearly situated below the maximum admissible leak rate of 20 m³ for single leaf resp. 30 m³ double leaf folding doors. You can ask for the relevant test approvals at our company

Homologation, ABP Due to the successful tests at the MPA NRW according to DIN 18095 18 we get from the MPA NRW the 'Allgemeine Bauaufsichtliche Prüfzeugnis' ABP 12 000 036.20 (building supervision certificate). You can ask for at our company. All of our drop-down seals in the version smoke protection and fire-retardant and smoke protection are included in it.

Proof of agreement sign Ü, sign CE The proof of agreement, the former sign Ü, is existing on all our products. These products are marked accordingly. Our own very high product quality remains constant by external product checks of the MPA Dortmund. Our internal production resp. products are continuously supervised by 1:1 lifetime tests. At present the marking CE is impossible because the corresponding standards for floor seals are not existing.

Smoke

Door designation

- according to DIN 18095 → RS 1 (single leaf)
- According to DIN 18095 → RS 2 (double leaf)
- According to EN 1634-3 → C5₂₀₀
(designation according to the test standard → not according to the classification standard)

C5 continuous function test class 5 with 200 000 movements

Smoke leak test S₂₀₀ at 200°C

Test partner MPA NRW, Materialprüfungsamt Nordrhein-Westfalen,
DE-44287 Dortmund, Germany



Fire resistant → State: first of May 2010



Principle All of our seals of the execution sound-, smoke- and fire protection are convenient for fire protection elements. The corresponding guidelines and standards of the individual countries form the base. The most important test and standard is the DIN 4102-5, and latest the DIN 1634-1, for fire protection door elements in Germany and the EU.

The maximum allowable air gap of 15 mm for fire protection doors can be closed with all our seals.

Test method In cooperation with the Materialprüfungsamt Nordrhein-Westfalen, MPA NRW, in DE-Dortmund we test our products according to DIN 4102 part 18, continuous function test, for the suitability in fire protection elements. Two fields are checked with it. The first is the lifetime test. This one requires 200 000 closing and opening cycles without troubles. During the new developments our seals perform several millions of movements. The second topic is the material selection of the drop-down seal. Non-combustible materials are prescribed and especially for the seal lips, it is the quality: self-extinguishing.

Homoloation, ABP Due to the successful tests at the MPA NRW according to DIN 4102 part 18 we get from the MPA NRW the 'Allgemeine Bauaufsichtliche Prüfzeugnis' ABP 12 000 036.20 (building supervision certificate). You can ask for at our company. All our drop-down seals in the version fire-retardant and smoke protection are included in it.

Proof of agreement sign Ü The proof of agreement, the former sign Ü, is existing on all our products. These products are marked accordingly. Our own very high product quality remains constant by external product checks. Our production resp. products are continuously supervised by 1:1 lifetime tests.

T30 up to T90 Products corresponding to DIN 4102 part 18 can be used for all fire protection elements from T30 up to T90. But every manufacturer is committed to test himself his element regarding the corresponding homologation.

Classes of fire resistance Simplified the European classifications can be assigned to the fire resistance of components to the VKF classifications as follows:

Component	EN	VKF
load-bearing, room closing, heat insulated	REI	F
non load-bearing, room closing, heat insulated	EI	F, S, K
room closing, mobile, heat insulated	EI-C	T
Room closing EI30-C, tight against smoke and flames	E	R

Example: the fire protection door T30 corresponds now to EI30-C resp. EI₃₀-C_S₂₀₀

Test partner MPA NRW, Materialprüfungsamt Nordrhein-Westfalen, DE-44287 Dortmund, Germany



Planet test approval for fire-retardant and smoke-shielding doors



MPA NRW.

Materialprüfungsamt Nordrhein-Westfalen

PRÜFEN • ÜBERWACHEN • ZERTIFIZIEREN

Marsbruchstraße 186 • 44287 Dortmund • Postfach: 44285 Dortmund • Telefon (0231) 4502-0 • Telefax (0231) 45 85 49 • E-Mail: info@mpanrw.de

Allgemeines bauaufsichtliches Prüfzeugnis

Prüfzeugnis Nummer: **P-120003573 Rev. 02**

Gegenstand: **Automatisch absenkende Bodendichtungen „Planet“.**
Ausführungen entsprechend der Zusammenstellung in der Anlage 2.

Verwendungszweck: Bodendichtung für die Verwendung in 1- und 2flügeligen Feuer- und Rauchschutztüren.

Antragsteller: **PLANET GDZ AG**
Neustadtstrasse 2
8317 Tagelswangen
Schweiz

Ausstellungsdatum: 8. Oktober 2013

Geltungsdauer bis: 12. Mai 2015

MPA NRW.
Materialprüfungsamt Nordrhein-Westfalen
PRÜFEN • ÜBERWACHEN • ZERTIFIZIEREN

Marsbruchstraße 186 • 44287 Dortmund • Postfach: 44285 Dortmund • Telefon (0231) 4502-0 • Telefax (0231) 45 85 49 • E-Mail: info@mpanrw.de

Verlängerungsbescheid

Das für

die Bauprodukte: **Automatisch absenkende Bodendichtungen „PLANET“**

erteilte allgemeine bauaufsichtliche Prüfzeugnis

Prüfzeugnis-Nummer: **P-120003573 Rev.02**

vom: **08. Oktober 2013**

Geltungsdauer bis: **12. Mai 2015**

des Antragstellers: **PLANET GDZ AG**
Neustadtstrasse 2
8317 Tagelswangen
Schweiz

wird hiermit bis zum: **12. Mai 2020**

verlängert.

Dortmund, den 11.05.2015
im Auftrag


REOAR Dipl.-Ing. Hermann Jansen
Prüfstellenleiter



12. Mai 2020

Dieser Verlängerungsbescheid umfasst 1 Seite.
Er ist nur in Verbindung mit dem angegebenen allgemeinen bauaufsichtlichen Prüfzeugnis gültig.

Aufgrund dieses allgemeinen bauaufsichtlichen Prüfzeugnisses ist der obengenannte Gegenstand nach den Landesbauordnungen verwendbar.

Dieses allgemeine bauaufsichtliche Prüfzeugnis umfasst 7 Seiten und 2 Anlagen.

Es ersetzt die Ausfertigung vom 12.05.2010

Impact noise → State: first of May 2010



Principle

Is a noise which expands in a solid. In a building. This noise is normally transmitted by walls and floors resp. by ceilings.

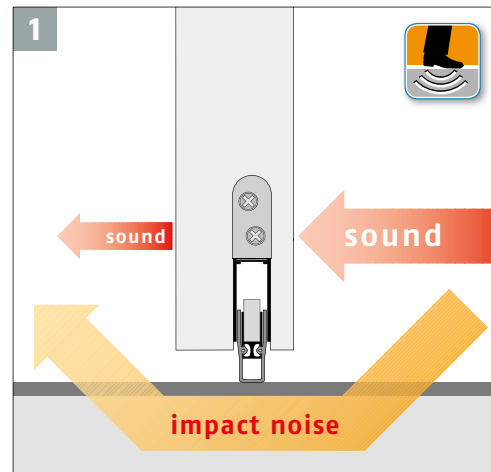
Example: a floor in a room oscillates because of the movements of persons (walking, running) and by machines but also by airborne sound (speech, music). These oscillations are transmitted again to the air in the rooms next-door or underneath and can be measured as an airborne sound.

To avoid the impact noise resp. the solid-borne sound in a building is a very complex task. Therefore, only the transmission of impact noise in the door area will be mentioned.

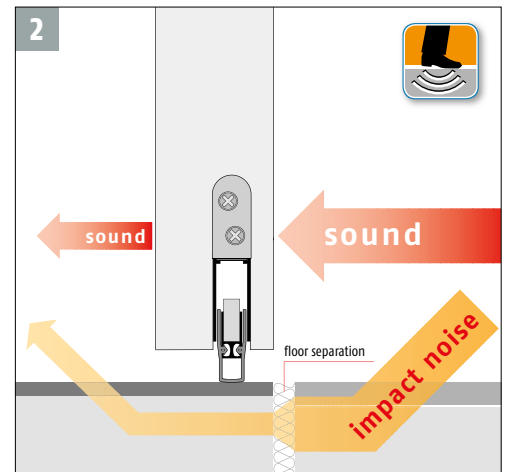
Recommendation

- We recommend a floor separation at a required door sound insulation from 30 dB.
- Please note that the sound insulation values measured in the sound laboratory normally cannot be reached on the building site without floor separation not either with a deducted measure.
- Please inform the persons involved in a building.

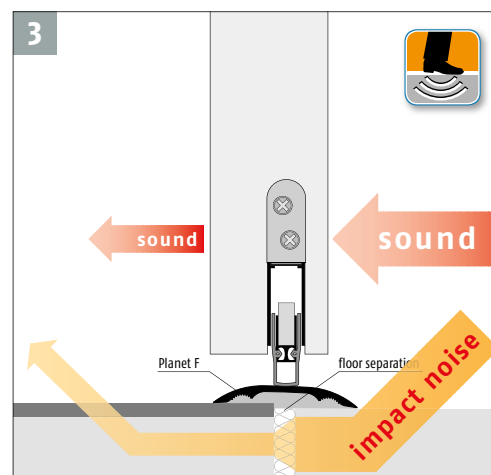
Examples of sound transmission



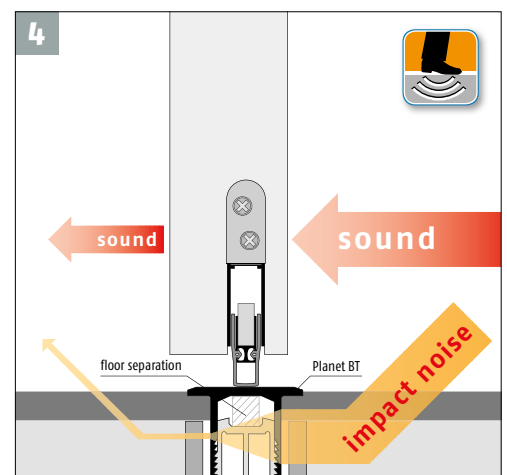
1 Sound and impact noise without floor separation. Carpets reduce the sound insulation of a door resp. the seal, ideal is a smooth and straight floor.



2 Sound and impact noise with floor separation. Reduce the sound transmission across the floor resp. avoid it by floor separation.



3 Sound and impact noise with floor separation. Drop-down seal with Planet F hollow flat rail.



4 Sound and impact noise with floor separation. Drop-down seal with Planet BT floor separation sill.

Escape route (emergency exit) → State: first of May 2010



European Standards for Locks of Escape Doors

Principle

Our drop-down seals with the profile widths of 13 mm and 20 mm are convenient for this escape doors. This applies to single leaf and to double leaf / folding door situations as well.

The use of the seals in the stationary door wing with a continuous locking bar, this means the execution with preparation of the driving bar with drilling $\varnothing 5 \times 13$ mm and drilling $\varnothing 10$ mm is feasible. But this requires tested and approved lock sets, e.g. BKS, BMH a.s.o.

Locks for emergency DIN EN 179

The lock of an emergency exit must guarantee that a door can manually be opened at any time within 1 second and with max. 70 N. A load of the door like in a panic situation is not assumed. This means: these doors are not exposed to public. The door-handle must be designed in a special shape to prevent any injury.

Locks for panic situation DIN EN 1125

This lock set consists of lock, handle of panic bar, possibly driving rod bar and counterpart interlocks; all components have to be checked and certified altogether. The panic lock must assure that the door can manually be opened at any time within 1 second with max. 80 N (at unloaded door) and max. 220 N (door loaded with 1000 N). These doors are exposed to public use and they have to guarantee the free passage for persons concerned in an emergency situation in panic or escape situation.

Planet Sound Laboratory → State: first of May 2010



Principle	We offer a new and modern laboratory for the measuring of the airborne sound insulation of doors and door leaves on the test stand according to EN 20140-3.
Laboratory equipment	<ul style="list-style-type: none"> - the most modern laboratory equipment of the company Norsonic-Tippkemper - variable test ports for the sound measuring of door elements - wall openings of 1015 x 2005 up to 2700 x 2700 mm following to DIN 4172 - planned, measured and regularly checked by foreign people of the ift Rosenheim
Performances	<ul style="list-style-type: none"> - Orienting measuring of the airborne sound insulation of components in test stands according to EN 20140-3 - Evaluation of the sound insulation according to EN ISO 717-1 - Planet journal or Planet test report
For your	<ul style="list-style-type: none"> - New developments - Measurements for material selection - Measuring series - Supervision of quality and products - Vreliminary tests <ul style="list-style-type: none"> → with extremely interesting conditions
But also	by means of the ift Rosenheim in the sound laboratory at Planet: <ul style="list-style-type: none"> - recognized test and evaluation (CE and building supervision) incl. ift test proof with cooperation of the ift Rosenheim as international accredited (DAP-PL-0808.99; BAY18) and European quoted authority (NB0757)



Modern laboratory for the measuring of the airborne sound insulation of doors and door leaves on the test stand according to EN 20140-3.



→ regularly checked and certified by foreign people of the ift Rosenheim

Interner Bericht Zur Überwachung externer Prüf-/Messeinrichtungen

Nr: 14-000090 PR01 – 2014

Überwachungsbesuch am 3. und 4.
Februar 2014



Standort
Planet GDZ AG
Neustadtstr. 2
8317 Tagelswangen
Schweiz

Prüfstandleiter Herr Jochen Schaar

Überwachung

Datum 3. und 4. Februar 2014

Gegenstand	Prüfart	Prüfstand (Reg-Nr.)	Techn. Festlegung
	Schall	EPst/035336	Vertr.-Anl. 2.3

Umfang und Ergebnis	Kriterien	Anforderungen sind:		
		erfüllt	... mit Hinweis	Abweichung
Durchführung von Schallprüfungen	Kalibrierung, Dokumentation	<input checked="" type="checkbox"/>	<input type="checkbox"/>	<input type="checkbox"/>
	Dokumentation	<input checked="" type="checkbox"/>	<input type="checkbox"/>	<input type="checkbox"/>
	Personal	<input checked="" type="checkbox"/>	<input type="checkbox"/>	<input type="checkbox"/>
	Probekörper	<input checked="" type="checkbox"/>	<input type="checkbox"/>	<input type="checkbox"/>
	Prüfdurchführung	<input checked="" type="checkbox"/>	<input type="checkbox"/>	<input type="checkbox"/>

Dokumentation Einzelergebnisse sowie ggf. Hinweise und Abweichungen sind im beiliegenden Protokoll dokumentiert.

Bewertung / Maßnahmen Die Anforderungen der Kooperations-Vereinbarung wurden **erfüllt**. Maßnahmen zu den Hinweisen sind bis zur nächsten Überwachung durchzuführen. Die Prüfstände am o.g. Standort können entsprechend o.g. Vertrag für ift-Prüfungen genutzt werden.

Grundlage

Kooperationsvertrag vom 19. November 2008 „Vereinbarung über die Zusammenarbeit zur Durchführung von Prüfungen“
Einmessbericht Nr. 835 35336 vom 29. Juli 2008
Bericht 171 41857 vom 2.11.09
Bericht 11-001939 vom 20.7.2011

Zweck

Die Überwachung dient der Sicherstellung der Aufrechterhaltung der festgelegten Voraussetzungen zur Nutzung externer, firmeneigener Prüfmittel/Prüfstände für ift-Prüfungen.

Durchführung

Die Überwachung/Auditierung erfolgt gemäß o.g. Grundlagen am Standort und umfasste

- Prüfung der Referenzmuster
- Kontrolle der Einhaltung der Vereinbarung.
- Wiederholmessungen

Die Feststellungen und Einzelergebnisse werden dem Standort-Verantwortlichen erläutert und sind im Protokoll, das Bestandteil dieses Berichts ist, dokumentiert.

Änderungen

Änderungen an Prüfstand und beim Personal müssen dem ift unaufgefordert mitgeteilt werden.

Veröffentlichungshinweise

Es gilt das ift-Merkblatt „Bedingungen und Hinweise zur Verwendung von ift-Prüfdokumentationen“. Das Deckblatt kann als Kurzfassung verwendet werden.

Inhalt

Der Bericht umfasst insgesamt 7 Seiten:
Deckblatt
Protokoll mit
- Überwachungsergebnissen
- Bemerkungen/Maßnahmen

ift Rosenheim
01. August 2014

J. Hessinger

i. V. Dr. Joachim Hessinger, Dipl.-Phys.
Prüfstellenleiter
Bauakustik

Bernd Saß

i. A. Bernd Saß, Dipl.-Ing. (FH)
Begutachter
Bauakustik

Ve-Prü-2250.de / 01.01.2011



ift Rosenheim GmbH
Geschäftsführer:
Dr. Jochen Peichl
Prof. Ulrich Sieberath

Theodor-Gietl-Str. 7 - 9
D-83026 Rosenheim
Tel.: +49 (0)8031/261-0
Fax: +49 (0)8031/261-290
www.ift-rosenheim.de

Sitz: 83026 Rosenheim
AG Traunstein, HRB 14763
Sparkasse Rosenheim
Kto. 3822
BLZ 711 500 00

Anerkannte Prüf-, Überwachungs- und Zertifizierungsstelle nach Landesbauordnung: BAY18
Notifizierung in Europa: Nr. 0757



Technical Data Sheet

Designed as 'room in the room' the sound laboratory is acoustically disconnected from all the other parts of the building and thus fulfils the requirements according to EN ISO 140 (test stands without indirect path transmission resp. with suppressed sound indirect path effects). The separation joint between the rooms is 5 cm large.

The test rooms show the following clearances / clear widths:

– Studio:

Height 294 m, width 5,30 m, depth 6,43 m, resulting in a studio transmitter volume of 100 m³

– Reception room:

Height 2,78 m, width 4,82 m, depth 3,80–5,58 m (oblique), resulting in a studio transmitter volume of 62,8 m³. ZA door test opening is installed between the test rooms, dimension 2,7x2,7 m it can be reduced in size into screens by means of a flexible wall system.

Our performances:

- Informative measuring of the airborne sound insulation of components in test stands according to EN 20140-3
- Evaluation of the sound insulation according to EN ISO 717-1
- Planet protocol or Planet test report

		height in mm					
		2005 (2000)	2130 (2125)	2255 (2250)	2390	2505 (2500)	2700
width in mm	1015 (1000)	×	×	×	×	×	×
	1140 (1125)	×	×	×	×	×	×
	1265 (1250)	×	×	×	×	×	×
	1390	×	×	×	×	×	×
	1515	×	×	×	×	×	×
	1640	×	×	×	×	×	×
	1765 (1750)	×	×	×	×	×	×
	1890	×	×	×	×	×	×
	2015 (2000)	×	×	×	×	×	×
	2515 (2500)						
	2700					☒	☒

- (2xxx) dimensions according to DIN 4172
- ☒ special fastening
- maximum wall opening dimension 2700 x 2700 mm
- possible for double leaf / folding doors

Planet Sound Laboratory according to EN 20 140-3



Further important details

Dimensions / clearance height rolling door:

- Width 2,9 m x height 2,55 m for the entry and to park the pickup

Entrance door of the sound laboratory:

- Width 2,63 m x height 2,53 m

Available tools and auxiliary devices:

- wooden blocks, width 1000 mm, height 750 mm
- Circular saw Bosch GKS 65, saw blade \varnothing 190 mm, depth of cut max. 65 mm
- Hand saw DeWalt DW 615, 900W, 8000-24000 1/min, mandrel 8 mm

- Bord:

- Several possibilities in the vicinity

Overnight stay in a hotel:

- Please ask for our hotel guide

Contact Planet GDZ AG

Phone +41 43 266 22 22

Fax +41 43 266 22 23

technik@planet.ag

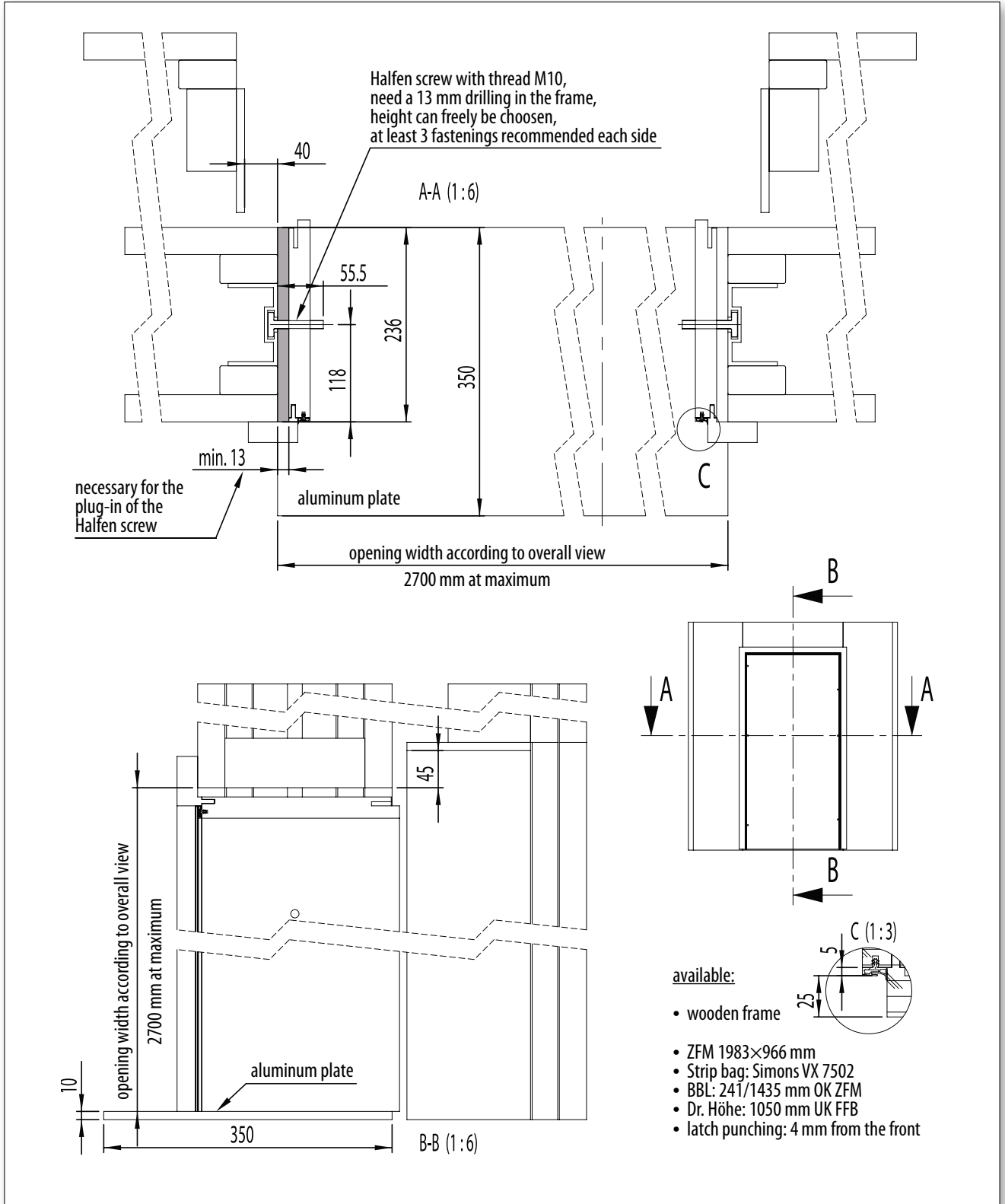
www.planet.ag

Planet Sound Laboratory according to EN 20140-3 | Test stand: frame made of wood



Available frames

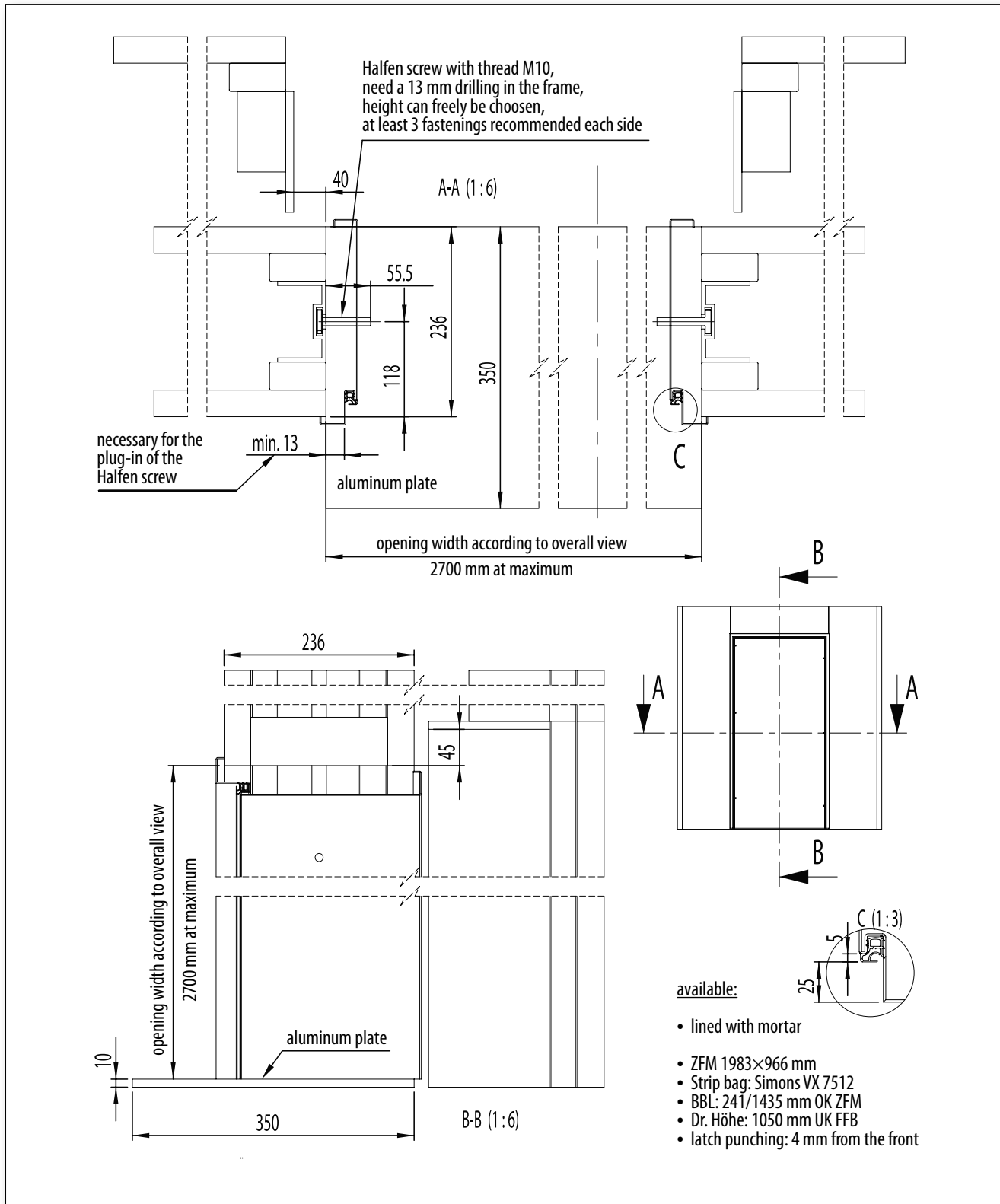
- Wooden frame with ZFM 966 x 1983 mm, fold: 25,5 x 15 mm, VX 7502 (241, 1435 mm), handle height 1050 mm of UK, catch lock punching 4 mm from the front, DIN left





Available frames

- Steel frame with ZFM 966×1983 mm, fold: 25,5×15 mm, VX 7612 (241, 1435 mm), handle height 1050 of UK, catch lock punching 4 mm from the front, DIN left



Low energy building, passive building a.s.o. → State: first of May 2010



Basis	<p>It is common to all to define and to limit the primary energy resp. the yearly heat consumption of the buildings. The energy consumption in reference to square meters per year serves as the parameter.</p> <p>The MINERGIE® standard is a voluntary Swiss construction standard for the efficient application of energy and the large use of renewable energy at a simultaneous improvement of the quality of life.</p> <p>There are 5 requirements for residential buildings (new buildings):</p> <ol style="list-style-type: none">1. Primary requirement for the building wrapping<ul style="list-style-type: none">– heat requirement (Q_h) below 60% of the limiting value (H_g) of the SIA standard 380/12. Aeration system<ul style="list-style-type: none">– a monitored aeration is imperatively prescribed– a comfort aeration with heat recovery ist usefully3. Energy requirement for the room heat, hot-water, air renewal and air-conditioning<ul style="list-style-type: none">– new buildings: maximum 38 kWh / (m²a)4. Proof of the thermal comfort in summer<ul style="list-style-type: none">– no mid-summer temperatures may arise5. Costs<ul style="list-style-type: none">– a maximum of 10 % additional costs in comparison to conventional buildings
Low energy building	<p>a building which remains under the legal requirements of the energetic demand level. In Germany the energetic demand level describes the energy saving order EnEV. This results in a prescribed primary energy requirement (heating+hot-water) in relation to the degree of compactness (A/V), surface to volume of the building. This amounts to a:</p> <ul style="list-style-type: none">– Primary energy demand: approx. 120 kWh / (m²a)– Heat requirement: approx. 40–70 kWh / (m²a). <p>A monitored aeration is not imperatively prescribed.</p>
Passive building	<p>Further development of the low energy building in relation to the thermal protection and an airtight building wrapping. No classic heating available. The thermal cosiness is realized by additional heating resp. cooling of the fresh air. The mainly part of the heat consumption is covered by «passive sources», e.g. insolation, lost heat of technical appliances and persons. This amounts to a:</p> <ul style="list-style-type: none">– Primary energy demand: ≤ 120 kWh / (m²a) inkl. aller elektrischer Verbraucher– Heat requirement: ≤ 15 kWh / (m²a). <p>A monitored aeration installation is imperatively prescribed.</p>
MINERGIE® P	<p>Swiss variant of the passive building. With the ratio surface/energy reference surface = 1,1 it results a heat requirement: ≤ 10 kWh / (m²a). A monitored aeration installation is urgently prescribed.</p>
KfW 40	<p>named according to the German KfW Förderbank (bank for reconstruction)</p> <ul style="list-style-type: none">– Primary energy demand: ≤ 40 kWh / (m²a). <p>A monitored aeration installation is imperatively prescribed.</p>
KfW 60	<p>named according to the German KfW Förderbank (bank for reconstruction)</p> <ul style="list-style-type: none">– Primary energy demand: ≤ 60 kWh / (m²a). <p>A monitored aeration installation is imperatively prescribed.</p>

Low energy building, passive building a.s.o. → State: first of May 2010



X-Liter building

Is defined by the heating oil demand. Mostly a 3 liter building and it corresponds therefore to a heat requirement of: \leq e.g. 3 litres heating oil (m^2a) corresponding to approx. 30 kWh / (m^2a).

EnEV

Part of the **German building laws** (deutsches Baurecht) for the realization of the EC Directives regarding the total energy efficiency of buildings. The EnEV unites the balance of energy of the building installation technics (heating, hot-water and aeration, with the signification of the energy carrier and the building heat protection. The summer heat protection and the solar heat recovery have been considered.

Depending on the compactness degree A/V (outer surface/volume) the EnEV limits the loss of transmission heat HT (lost of heat) of the building and the primary heat demand (energy demand for heating and hot-water and losses from the production of the energy carrier up to the distribution in the building as well).

Valid since 2002, modified 2007, further modification 2009 (aggravation up to 30%).

Austria

Realization of the EC Directives covering the total energy efficiency of buildings on the national level since 2006 in the law of energy identification proof. The calculation basis are settled by the construction prescriptions of the Land. The directive OIB 6 forms the basis of it. Therein are treated the valuation and the significance of the demands of the building wrapping (protection, density and compactness), the heat requirement HWB, the heat energy demand (HEB + mechanical aeration and cooling + lighting) EEB and the total energy demand GEB with the various energy carriers. The building location is characterized by different zones. The summer heat protection has been taken into consideration.

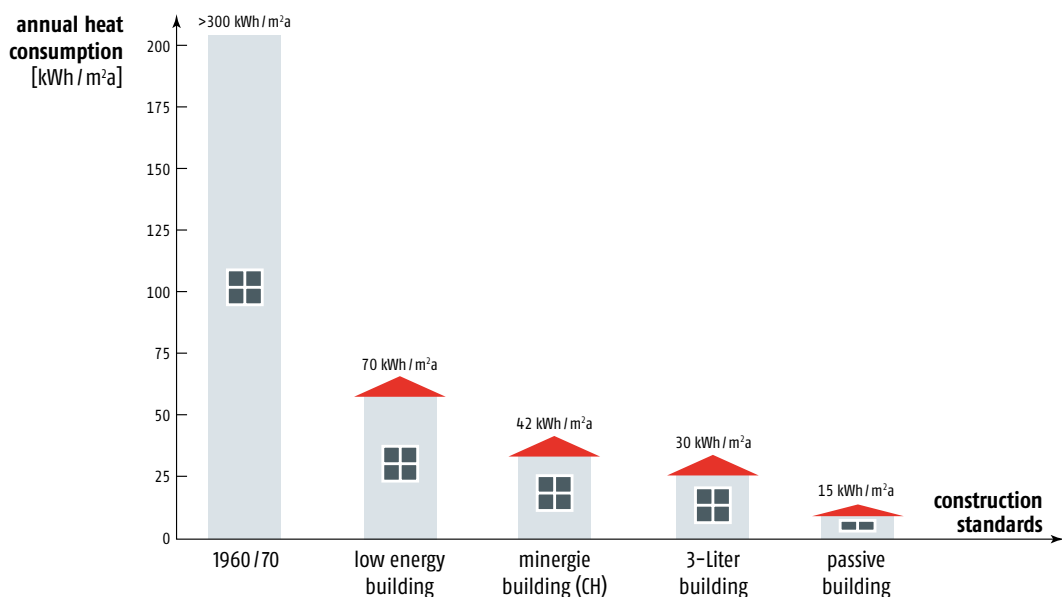
The energy identification proof for residential buildings (new buildings) has to reflect the following indications:

- heat requirement (HWB) of the building and the comparison to reference values
- heating technics – energy demand of the building (HTEB), loss of energy at heat production and distribution
- Final energy demand of the building;

Valid for the new construction of residential building:

- heat requirement: max. 78 kWh/(m^2a) relative to the reference climate, valid until 31.12.09, max. 66,5 kWh / (m^2a) from 1.1.2010.

Development of construction standards





Proofs

MINERGIE® verification: regarding the imperative aeration there are simplified proofs for the following 6 aeration systems:

1. comfort aeration with heat recovery
2. comfort aeration with heat pump
3. Waste air system with exterior air passages
4. Waste air system with heat pump
5. Single room comfort aeration
6. Automatic window aeration

Pertaining the aeration installations 1–4 the entire building is considered as one aeration unit and this means: the walls separating the individual rooms must allow an air passage between incoming and used air.

By now this is realized through air passages in the wall, mostly above the door or upside the door at shortened doors, greater air space on the bottom edge, or an air grill, or a section in the real door leaf.

The sound insulation between the individual living spaces is considerably reduced resp. prevented by these versions.

A new patented possibility to reduce the sound and to allow simultaneously an air passage and to stop the translucence is the floor seal from Planet.

Planet MinE (Minergie) a system including a floor seal and an air channel for the assembly in a standard door from a thickness of 40 mm and a sound insulation value of RST,W 23–27 dB according to the execution. Especially good sound insulation of above 30 dB of the human voice (base sound 250 dB female, male 125 dB) and an air passage of minimum 40 m³/h at a corresponding pressure/ vacuum. Typical applications exist on all doors of the living space.

- to the WC / Sanitary
- to the children's room
- to the bedroom
- to the living space
- to the corridor.

Planet drop-down seals

 SWISS MADE



Lake Geneva, Montreux

Advertising material 206 | Planet hand samples 208
Real seal examples of Planet profiles 211

Advertising material

6

Planet Advertising Material (on loan)

Planet info tower

Made of aluminum
on loan

Specifications:
– 50 cm x 200 cm
– 17,5 kg

2 subjects with Planet hand samples
on front- and backside
(please select subjects corresponding
to the available Planet hand
samples, listed on the next 3 pages)

Prod. code 900171



Planet roll up

on loan

Specifications:
– 85 cm x 210 cm x 20 cm

frontside

Subjects Planet US, Planet X3 or Pla-
net MinE (other subjects on request)

Prod. code 900810





Planet sample case with 3 or 4 hand samples







Planet sample case with content on loan

Specifications:
48 cm x 36 cm x 18 cm, approx. 10 kg

Prod. code 900269

Planet hand samples

<p>Planet US</p> <p>Specifications:</p> <ul style="list-style-type: none"> - 43,5 cm x 10,5 cm x 5,6 cm - 1,39 kg <p>Prod. code 900675</p>	
<p>Planet HS</p> <p>Specifications:</p> <ul style="list-style-type: none"> - 43,5 cm x 10,5 cm x 5,8 cm - 1,57 kg <p>Prod. code 900185</p>	
<p>Planet RH</p> <p>Specifications:</p> <ul style="list-style-type: none"> - 43,5 cm x 10,5 cm x 5,8 cm - 1,55 kg <p>Prod. code 900315</p>	
<p>Planet FT</p> <p>Specifications:</p> <ul style="list-style-type: none"> - 43,5 cm x 10,5 cm x 5,6 cm - 1,55 kg <p>Prod. code 900165</p>	
<p>Planet FT + Socle</p> <p>Specifications:</p> <ul style="list-style-type: none"> - 43,5 cm x 10,5 cm x 5,6 cm - 1,42 kg <p>Prod. code 900282</p>	
<p>Planet RF + Socle</p> <p>Specifications:</p> <ul style="list-style-type: none"> - 43,5 cm x 10,5 cm x 5,6 cm - 1,37 kg <p>Prod. code 900316</p>	

<p>Planet SL</p> <p>Specifications:</p> <ul style="list-style-type: none"> - 43 cm x 10,5 cm x 6,5 cm - 1,85 kg <p>Prod. code 900309</p>	
<p>Planet MinE</p> <p>Specifications:</p> <ul style="list-style-type: none"> - 43,5 cm x 10,5 cm x 6,6 cm - 1,92 kg <p>Prod. code 900392</p>	
<p>Planet MinE-F</p> <p>Specifications:</p> <ul style="list-style-type: none"> - 43,5 cm x 10,5 cm x 5,8 cm - 1,70 kg <p>Prod. code 900818</p>	
<p>Planet MF</p> <p>Specifications:</p> <ul style="list-style-type: none"> - 43,5 cm x 10,5 cm x 5,8 cm - 1,45 kg <p>Prod. code 900293</p>	
<p>Planet RO</p> <p>Specifications:</p> <ul style="list-style-type: none"> - 43,5 cm x 10,5 cm x 7,8 cm - 2,2 kg <p>Prod. code 900294</p>	
<p>Planet RS</p> <p>Specifications:</p> <ul style="list-style-type: none"> - 43,5 cm x 10,5 cm x 7,8 cm - 1,54 kg <p>Prod. code 900567</p>	

Planet hand samples (continuation)

Planet KG-S

Specifications:

- 43,5 cm x 11,5 cm x 5,6 cm
- 1,83 kg

Prod. code 900231



Planet KG-S narrow

Specifications:

- 43,5 cm x 11,5 cm x 5,0 cm
- 1,9 kg

Prod. code 900808



Planet KG-A10

Specifications:

- 43,5 cm x 11,5 cm x 5,6 cm
- 2,1 kg

Prod. code 900473



Planet KG-F8 narrow

Specifications:

- 43,5 cm x 11,5 cm x 5,0 cm
- 1.6 kg

Prod. code 900809



Planet KG-F10

Specifications:

- 43,5 cm x 11,5 cm x 5,8 cm
- 1,72 kg

Prod. code 900308



Planet KG-D10

Specifications:




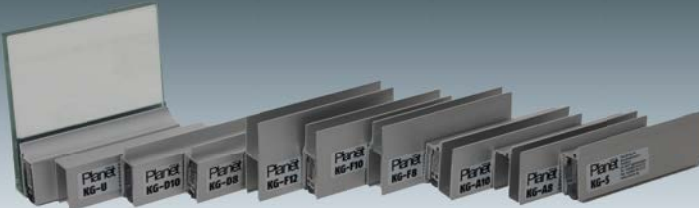


- 43,5 cm x 11,5 cm x 5,6 cm
- 1,73 kg

Prod. code 900277



Real seal examples of Planet profiles

100 mm (no function)

<p>8 mm profiles</p> <ul style="list-style-type: none"> – Planet US – Planet TW 	
<p>Prod. code 900924 + type</p>	
<p>13 mm profiles</p> <ul style="list-style-type: none"> – Planet HS – Planet RH – Planet FT – Planet RF – Planet SL 	
<p>Prod. code 900924 + type</p>	
<p>Planet MinE profiles</p> <ul style="list-style-type: none"> – Planet MinE-V – Planet MinE-S – Planet MinE-F/V – Planet MinE-F/S 	
<p>Prod. code 900924 + type</p>	
<p>Planet profiles for glass</p> <ul style="list-style-type: none"> – Planet KG-S / KG-S narrow – Planet KG-A – Planet KG-D – Planet KG-F10 / F12 / F8 narrow – Planet KG-U 	
<p>Prod. code 900924 + type</p>	
<p>20 mm profiles</p> <ul style="list-style-type: none"> – Planet MF – Planet RS – Planet RO – Planet PU 	
<p>Prod. code 900924 + type</p>	
<p>Profiles with Planet drilling</p> <ul style="list-style-type: none"> – Planet drill hole $\varnothing 5 \times 13$ mm – Planet drill hole $\varnothing 10$ mm – Planet drill hole $\varnothing 5 \times 13$ mm and $\varnothing 10$ mm 	
<p>Prod. code 900924 + type</p>	

Planet drop-down seals

 SWISS MADE



Lyskamm, Valais