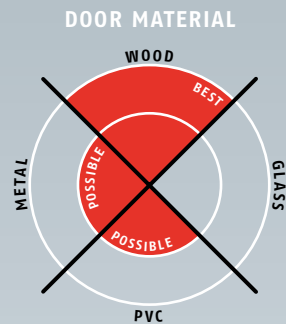


Planet FT → 13 x 30 mm | ↓ 22 mm | ≤ 48 dB



Main features

- Seal height up to ↓ 22 mm
- Acoustic insulation up to ≤ 48 dB in case of an optimal sealing
- Unilateral and soundless release, silent seal
- Due to parallel drop-down no trailing on the floor
- Automatic compensation at inclined floors
- One groove width for Planet FT and RF (uneven floors)
- For double leaf folding doors with flush bolt or driving bar
- Also suitable for Planet Socle (→ refer to Planet Socle)
- High-grade silicone lip, simple lift height adjustment
- Can be shortened up to the next shorter length on stock
- No extra need to cut off silicone at both ends
- 7 years warranty

Versions

- Planet FT → RD ≤ 48 dB, smoke-shielding
- Planet FT → FH+RD ≤ 48 dB, fire-retardant + smoke-shielding
- Planet FT → Sliding door+RD ≤ 48 dB, sliding doors + smoke-shielding
- Silicone lip extended by 8 mm
- Anti-bacterial silicone lip is optional
- Possibility of silicone-free (TPE) execution
- Option Double-shortening → refer to chapter Accessories | TR125
- Special versions on request

Door types with Planet FT



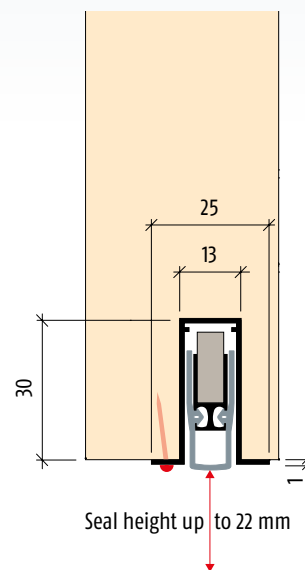
Double leaf doors → refer to chapter Accessories | Flush bolt, drilling

More functions



Technical specifications

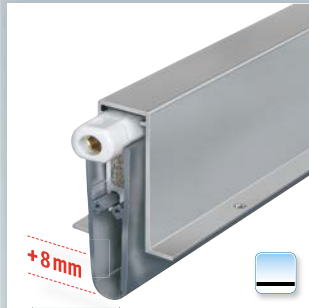
Profile material	Aluminum, → 13 x 30 mm
Groove size	width 13,1 mm with depth 30,5 mm
Seal profile	high-grade silicone or high-grade self-extinguishing silicone
Seal height	up to ↓ 22 mm
Sound absorption value	up to ≤ 48 dB at 7 mm space to the floor; up to ≤ 42 dB at 20 mm space to the floor
Lift height adjustment	on the release knob with an Allen key 3 mm
Lengths in stock	350, 450, 550, 650, 750, 850, 950, 1050, 1150, 1250, 1350, 1450 mm
Special lengths	on request up to 6000 mm for wing- and sliding doors
Release	unilaterally on hinge side
Can be shortened	up to the maximum of 100 mm
Fastening	from the bottom with screws or nails / pins available by customer
Frame protector plate	Stainless, hammer fixed, 20 x 20 mm
Test approvals	on request



Versions | Options | Accessories



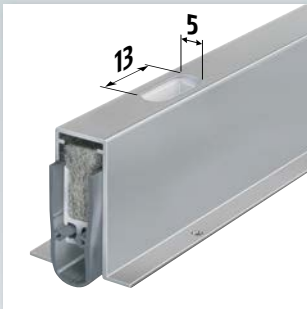
Planet FT, release side



Option: Planet FT: silicone lip extended by 8 mm, release side



Option: Planet FT with Planet Socle → refer to chapter Socle



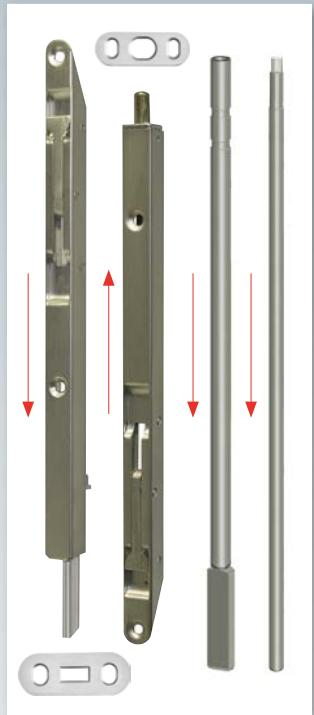
Option: Planet FT with Planet drill hole $\varnothing 5 \times 13$ mm for flush bolt, driving bar rods → refer to chapter Accessories | driving bar rods



Option: Planet FT with Planet drill hole $\varnothing 5 \times 13$ mm and driving bar rod → refer to chapter Accessories | driving bar rods



Option: Planet FT with Planet drill hole $\varnothing 8,2$ mm for driving bar rods → refer to chapter Accessories | driving bar rods



Accessories: Planet KR flush bolt, incl. strike plate → refer to chapter Accessories | Flush bolt
Driving bar rods flattened → see pages 137 – 145

Order specifications

Planet FT → RD ≤ 48 dB including frame protector plate, type 1	Prod. code 70xxx*
Planet FT → FH+RD ≤ 48 dB including frame protector plate, type 1	Prod. code 71xxx*
Planet FT → Sliding door (option)	Prod. code 900908

* xxx = refer to price list for profile length

Accessories | Options

Planet frame protector plate type 1 (stainless); possible type 2/3/4/5 → refer to chapter Accessories Options	Prod. code 900014
Cut the Planet to fix dimension	Prod. code 900200
Planet covering plates	Prod. code 70010
Planet drill hole $\varnothing 8,2$ mm	Prod. code 900866
Planet drill hole $\varnothing 5 \times 13$ mm including plastic guide, for Planet KR and driving bar rods flattened → refer to chapter Accessories Flush bolt, drilling	Prod. code 900190
Planet Socle for for bottom mounting → refer to chapter Socle	Prod. code 19xxx*
Planet BM floor recess plates → refer to chapter Accessories BM	Prod. code 90034x-x Prod. code 90027x-x

x-x = Several Planet Floor recess plates available in different adjustment range refer to chapter Accessories | BM

Advertising text



Planet FT → RD (smoke-shielding) ≤ 48 dB
Automatic door drop-down seal **Planet FT → RD ≤ 48 dB**, for sound absorption and smoke-shielding doors, release on hinge side with automatic compensation in case of an inclined floor, parallel drop-down, seal height up to $\downarrow 22$ mm, flush to put in groove. Silicone lip, fastening on the bottom. Aluminum profile → **13 x 30 mm**.

Advertising text



Planet FT → FH+RD (fire-retardant + smoke-shielding) ≤ 48 dB
Automatic door drop-down seal **Planet FT → FH+RD ≤ 48 dB**, for sound protection-, smoke-shielding- and fire-retardant doors, release on hinge side with automatic compensation in case of an inclined floor, parallel drop-down, seal height up to $\downarrow 22$ mm, flush to put in groove. Fastening on the bottom, self-extinguishing silicone lip. Aluminum profile → **13 x 30 mm**.