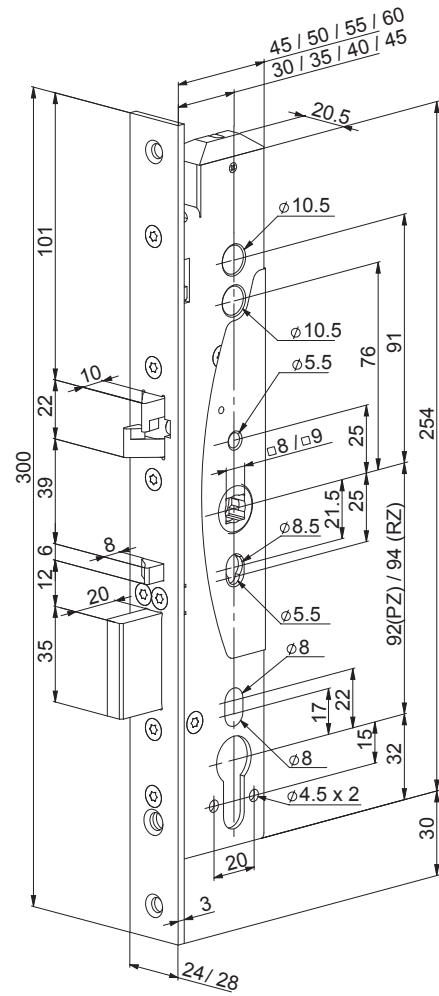
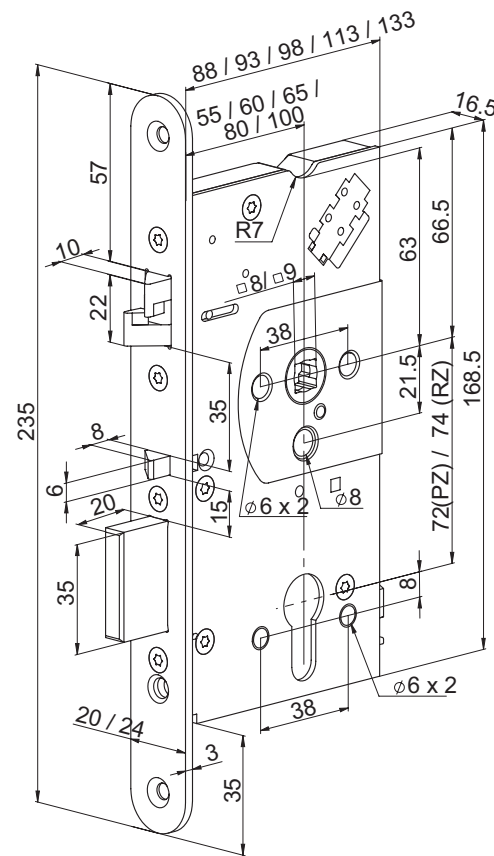


**ABLOY® EL460, EL461**



**ABLOY® EL560, EL561**



**EMERGENCY EXIT DEVICES ACCORDING TO EN 179**

The following locks and handles are approved to be installed together in an emergency exit door to conform EN 179.

Profile door locks	ABLOY® DO 20.33.01 DO 20.33.02	IKON DO 20.15.02	FSB DO 20.03.01 DO 20.03.02	HEWI DO 20.13.01 DO 20.13.02	SAPEX DO 20.32.01 DO 20.32.02
EL460	e.g. <b>ABLOY®</b> INOXI 3-19/013 PZ+BL	e.g. S6B3, S6B6	10 1001 79, 06 1004 79 RTG/RTV, 10 1004 79, 06 1004 79 RTG/RTV, 10 101679, 06 1016 79 RTG/RTV, 10 1023 79, 06 1023 79 RTG/RTV, 10 1035 79, 06 1035 79 RTG/RTV, 10 1045 79, 06 1045 79 RTG/RTV, 10 1070 79, 06 1070 79 RTG/RTV, 10 1078 79, 06 1078 79 RTG/RTV, 10 1093 79, 06 1093 79 RTG/RTV, 10 1107 79, 06 1107 79 RTG/RTV, 10 1108 79, 06 1108 79 RTG/RTV, 10 1119 79, 06 1119 79 RTG/RTV, 10 1146 79, 06 1146 79 RTG/RTV, 10 1159 79, 06 1159 79 RTG/RTV, 10 1160 79, 06 1160 79 RTG/RTV, 10 1163 79, 06 1163 79 RTG/RTV, 10 1189 79, 06 1183 79 RTG, 10 1222 79, 06 1222 79 RTG/RTV	111, 111.23, 114.23GK, 131, 132, 111X, 113X, 114X, 161X, 163X, 171X, 112X, 165X, 166X	e.g. 60-00819
EL260 EL060	<b>ABLOY®</b> INOXI 3-19/013/120 PZ+BL	e.g. S6B8			<b>SAPEX</b> DO 20.32.01 DO 20.32.02
<b>Wooden and metal door locks</b>	<b>ABLOY®</b> DO 20.33.01 DO 20.33.02	<b>IKON</b> DO 20.15.02			
EL560	e.g. <b>ABLOY®</b> INOXI 3-19/012 PZ+BL	e.g. S326, S426, S4K3			e.g. 60-0419, 60-0319
EL360 EL160	<b>ABLOY®</b> INOXI 3-19/012/120 PZ+BL	e.g. S4K6			

The safety features of this product are essential to its compliance with EN 179. No modification of any kind, other than those described in the installation manual, are permitted.

**PANIC EXIT DEVICES INSTALLATION ACCORDING TO EN 1125**

The following locks and push bars are approved to be installed together in a panic exit door to conform EN 1125. The push bars can be installed for example with above mentioned outside fittings (Table EN 179) to conform EN 1125.

Profile door locks	effeff DO 30.04	JPM DO 30.05	TESA DO 30.06	HEWI DO 30.10
EL460, EL260, EL060	8000-00-1100 (-), 8000-10-1100 (PZ)			HEWI PS 160XA 40°
EL462, EL262, EL062	8000-00-1100 (-), 8000-11-1100 (RZ)	NORMA 990000-XX-0A 990100-XX-0A 990001-XX-0A 990101-XX-0A 991000-XX-0A 991100-XX-0A 991001-XX-0A 991101-XX-0A	<b>TESA</b> DO 30.06	
<b>Wooden and metal door locks</b>	<b>effeff</b> DO 30.04		<b>TESA</b> DO 30.06	
EL560, EL360, EL160	8000-00-1100 (-), 8000-20-1100 (PZ)		<b>UNIVERSAL SERIE</b> 19709G9xx	
EL562, EL362, EL162	8000-00-1100 (-), 8000-21-1100 (RZ)			

The safety features of this product are essential to its compliance with EN 1125. No modification of any kind, other than those described in the installation manual, are permitted.

EN179 and EN1125 standards are conformed, when the above mentioned lock is installed with **ABLOY®** strike plates listed in this brochure.

This document may not be used in the installation of a lock. Drilling and wiring diagrams and installation instructions are included in the installation manual, which is included in each lock case package.

We reserve the right to make alterations to the products described in this leaflet.



www.abloy.com

Abloy Oy  
Wahlforsinkatu 20  
P.O.Box 108  
FI-80101 JOENSUU  
FINLAND  
Tel. +358 20 599 2501  
Fax +358 20 599 2209



8801046 05/2013 1000 kpl PunaMusta Oy -joensuu

**ABLOY® EL460, EL461, EL560, EL561**

*Europrofile handle controlled locks*



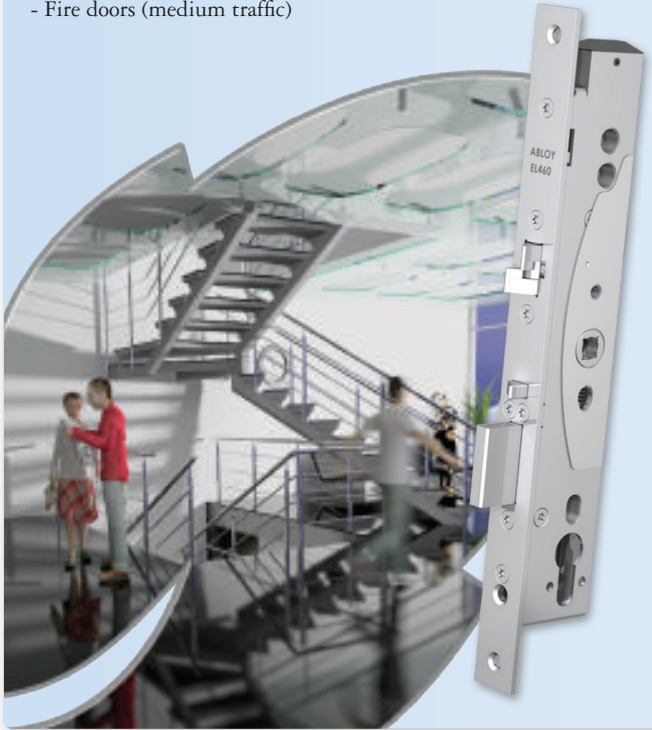
**ABLOY®** Europrofile locks offer intelligent solution for medium traffic doors. Locks can be installed with long plates or roses.

*Convenience, High security, High durability - Europrofile handle controlled locks*

**APPLICATIONS**

The locks are recommended to be used in interior doors of business premises, public buildings, hospitals, educational premises etc. Typical applications are the doors of:

- Offices
- Meeting rooms
- Storage rooms
- Technical maintenance rooms
- Consulting rooms
- Fire doors (medium traffic)



**ABLOY® EL560** and **ABLOY® EL561** are used in wooden and metal doors. **ABLOY® EL460** and **ABLOY® EL461** are used in narrow profile doors. EL560 or EL460 with split spindle is chosen, when exit by handle is needed. EL561 or EL461 is used, when both access and exit are electrically controlled.

Handle controlled locks are best suited in medium traffic doors. The locks can be electrically controlled by access control system or by a remote control system such as timer, keypad or push button.

The locks can be used both in exit and fire rated doors (EN). The locks are not suitable for use with door automatics.

Also available:

- Microswitch locks  
EL360 for wooden and metal doors  
EL260 for narrow profile doors
- Mechanical locks  
EL160 for wooden and metal doors  
EL060 for narrow profile doors

Also available lock cases for Swiss cylinder (RZ):

- EL562 (split spindle), EL563 (through spindle) for wooden and metal doors
- EL462 (split spindle), EL463 (through spindle) for narrow profile doors
- EL362 microswitch lock for wooden and metal doors
- EL262 microswitch lock for narrow profile doors
- EL162 mechanical lock for wooden and metal doors
- EL062 mechanical lock for narrow profile doors

**FUNCTION**

Handle controlled locks can be set to function as fail locked or as fail unlocked. In the fail locked setting, the lock can be opened by controlled handle when power is on, and it can not be opened by controlled handle, when power is off. In the fail unlocked setting, the electrical function is the opposite.

**ABLOY® EL560** and **ABLOY® EL460**

Only outside handle is electrically controlled. The lock can always be opened by inside handle. Mechanical opening by cylinder is always possible.

**ABLOY® EL561** and **ABLOY® EL461**

Both inside and outside handles are electrically controlled. Mechanical opening by cylinder or thumbturn is always possible.

**STANDARDS**

**EN STANDARDS**  
EN 179  
EN 1125  
EN 1634-1  
EN 61000-6-1  
EN 61000-6-3  
EN 14846

**Exit**  
**Panic exit**  
**Fire resistance**  
**EMC**  
**EMC**  
**Electric locks**

**LOCAL STANDARDS**  
NEN 5089:1995

**SKG, mechanical strength and burglary resistance**

**GOST-R**

**Abloy lock cases are always tested according to the latest versions of the standards.**

**STANDARD DELIVERY**

Standard delivery includes:

- Lock case is delivered as fail locked
- Fixing screws
- Spindle adapters
- Lock case manual

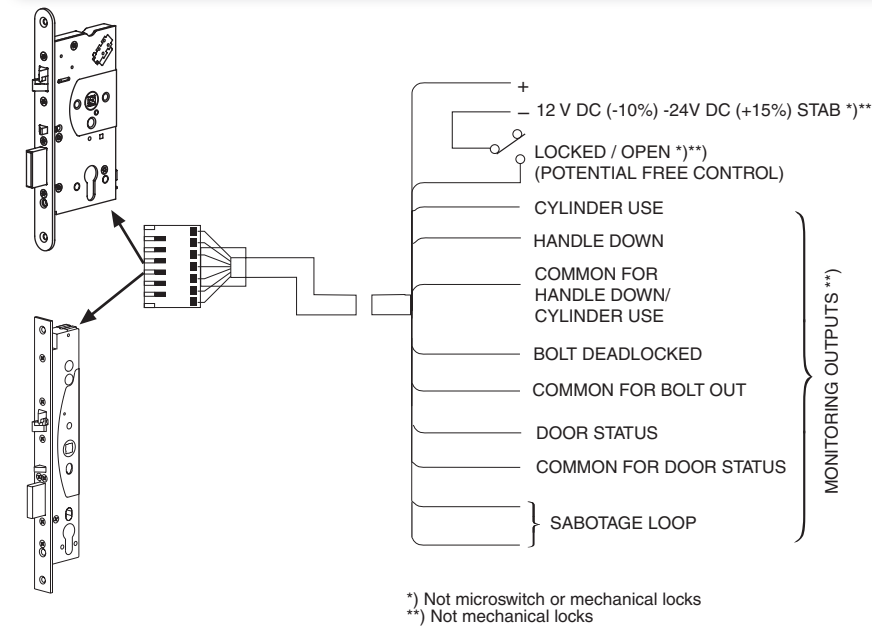
Please specify when ordering:

- Lock type
- Backset
- Forend
- Strike plate
- Split spindle EA288 or EA289 (EL460 and EL560)

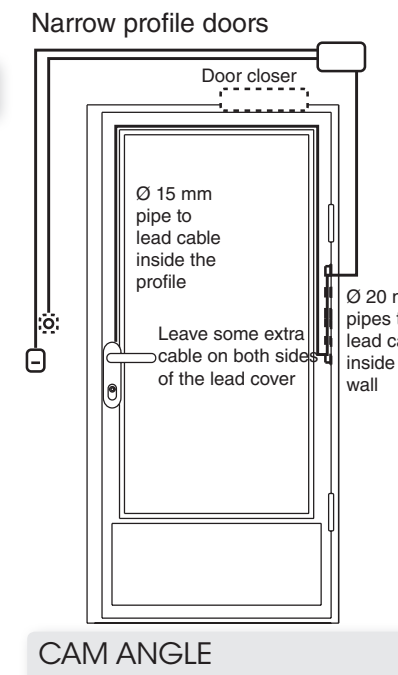
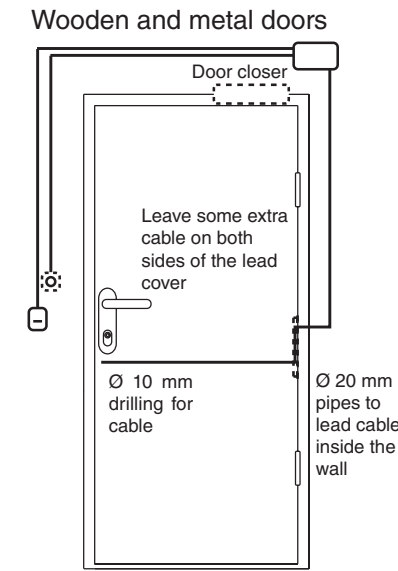
**TECHNICAL DETAILS**

Operating voltage: 12 – 24 V DC STAB (-10%, +15%)  
Current: Max. 0.55 A (12V DC), 0.27 A (24V DC)  
Idle 0.24 A (12V DC), 0.13 A (24V DC)  
Microswitches: Max. 0.5 A 30 V AC/DC resist, 10 W  
Operating temperature: -20°C - +60°C  
Bolt throw: 20 mm (deadbolt), 10 mm (double action bolt)  
Backset: 55, 60, 65, 80, 100 mm (EL560, EL561)  
30, 35, 40, 45 mm (EL460, EL461)  
Forend: 20, 24 mm (EL560, EL561)  
24, 28 mm (EL460, EL461)  
Spindle: 9 mm (8 mm with spindle adapters)  
Settable functions: Mechanical functions:  
- Handing of trigger bolt  
- Electrically controlled side (EL560, EL460)  
Electrical function:  
- Fail locked / Fail unlocked  
Monitoring outputs: Bolt deadlocked  
Door status  
Handle used  
Cylinder used  
Cable sabotage

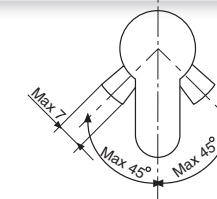
**CONTROL PRINCIPLE AND AVAILABLE MONITORING OUTPUTS**



**DOOR ENVIRONMENT**



**CAM ANGLE**

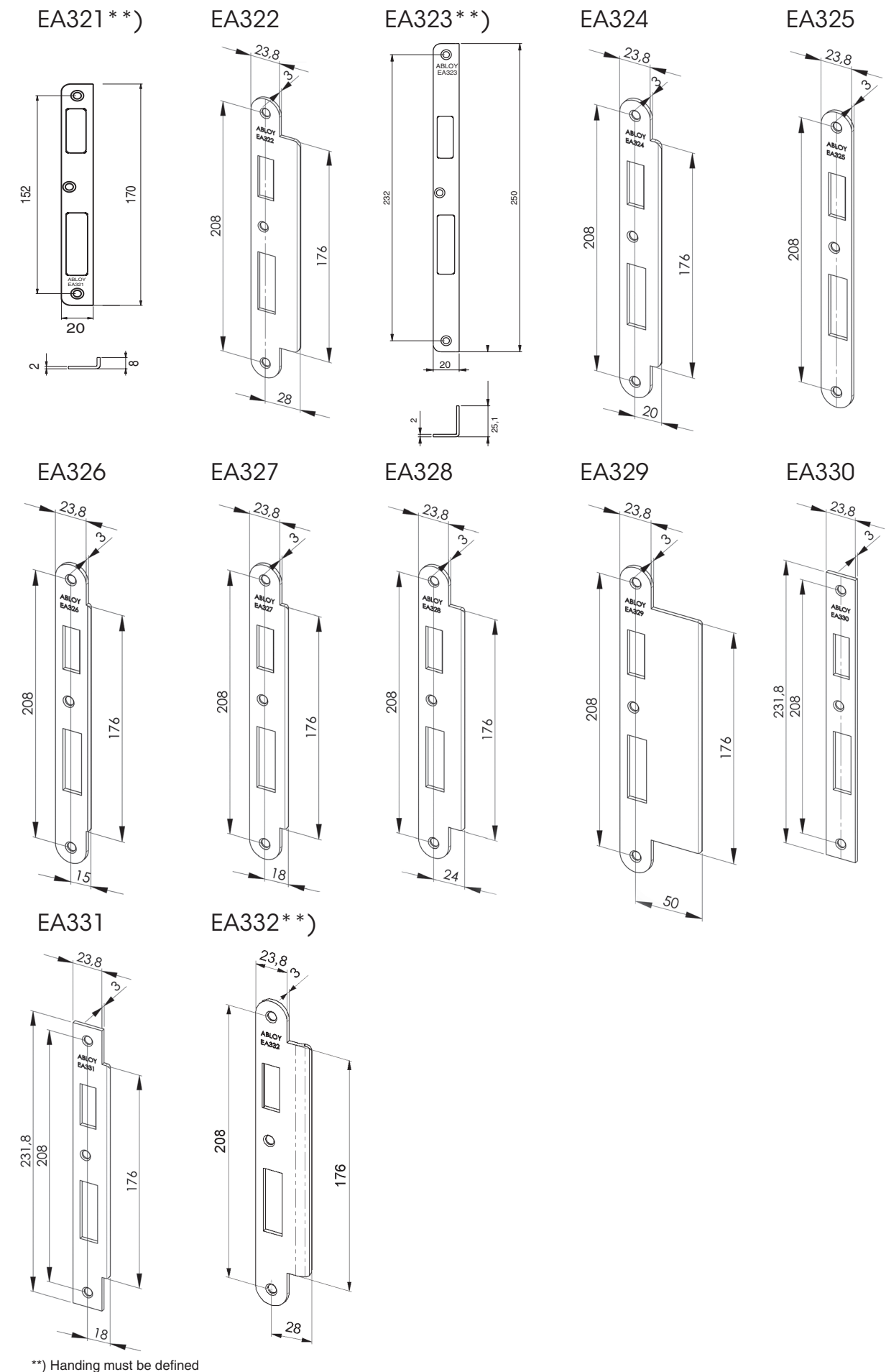


**CYLINDERS, FITTINGS AND ACCESSORIES (Please order separately)**

	EUROPROFILE DIN CYLINDER		FITTINGS	SPLIT SPINDLES	CABLES	LEAD COVERS	STRIKE PLATES
	ABLOY NOVEL	ABLOY PROTEC <sup>2</sup>					
<b>Single</b>	CY321U CY331U	CY321T CY331T	ABLOY®*) IKON Ruko BEZAULT others	EA288 (8mm) EA289 (9mm)	EA218 (6m) EA219 (10m) EA232 (20m)	EA280 EA281	EA321**)*) EA322 EA323**)*) EA324 EA325 EA326 EA327 EA328 EA329 EA330 EA331 EA332**)*)
<b>Double</b>	CY322U CY332U	CY321T CY331T					
<b>Single with thumbturn</b>	CY323U CY333U	CY323T CY333T					

\*) For further information, please contact Abloy Oy Architectural hardware.  
\*\*) Handing must be defined.

**STRIKE PLATES**



\*\*) Handing must be defined