

QUICK-BOLT 3000



QUICK-BOLT 3000 - MODERN DESIGN AND SECURITY

The Abloy quick-bolt has been redesigned. The new 3000 model replaces the 2000 model whose tried and trusted features have been upgraded in line with customer feedback. The functionality of the quick-bolts is enhanced by the new design, which suits the modern environment. The 3000 models are available with a chromed, satin-chromed or polished finish.

Easy to fit

The bolt is easy to fit thanks to the quick-attachment of the locking bars. In the basic 3000 and 3100 St models, the position of the locking bar is adjustable 7mm in a sideways direction, 11 - 18 mm from the surface of the door, enabling it to be used in most of the door profiles currently on the market. The fitting depth of the bolt is less than earlier, 31 mm, making it easy to fit into wooden doors.

Also for doors with special construction

For certain door profiles special versions of the 3001 and 3101 St are suitable, where the fitting depth of the locking bar is 32 - 35 mm from the door surface.

New design

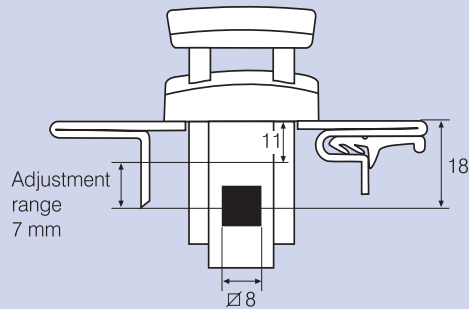
The double construction of the handle has been redesigned, making it even more reliable in use. The new design enables it to be used in architecturally demanding situations, too. All the new bolt models can be used in the drillings and mortises for the 2000 range.

Demanding operating environments

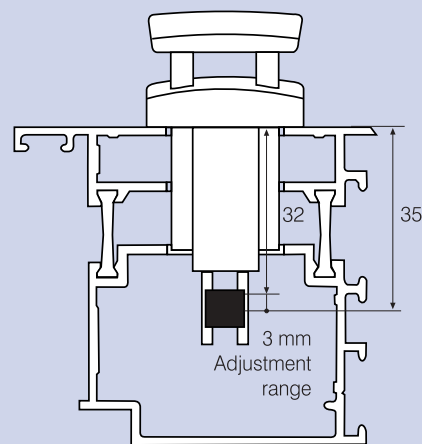
The satin-chromed 3100 and 3101 bolts made from stainless steel are particularly suitable for humid areas such as on boats or in dairies. All the locking parts of the bolt are made from stainless steel and have a satin-chromed surface finish.

Secure

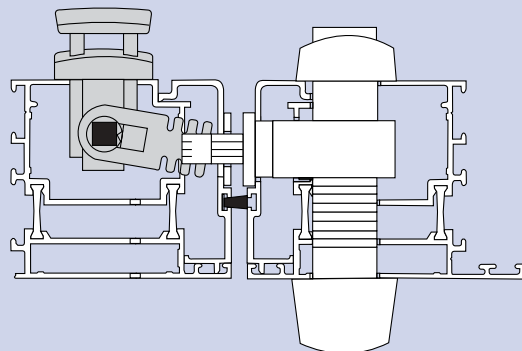
Attention has also been paid to the safety perspective. With the 2003 padlock accessory the bolt can be used for nighttime locking when a security lock is used in the door. Fire safety aspects have also been taken into account as all the locking parts are made of steel.



Basic versions 3000 and 3100 St

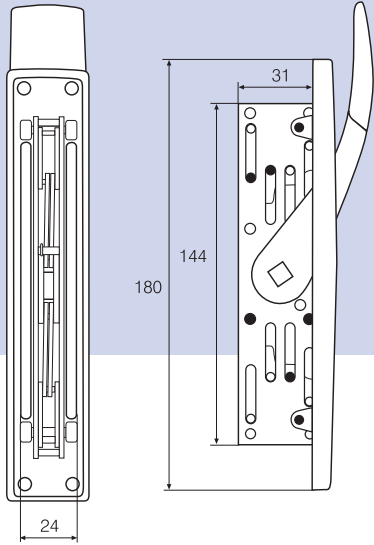


Special versions 3001 and 3101 St



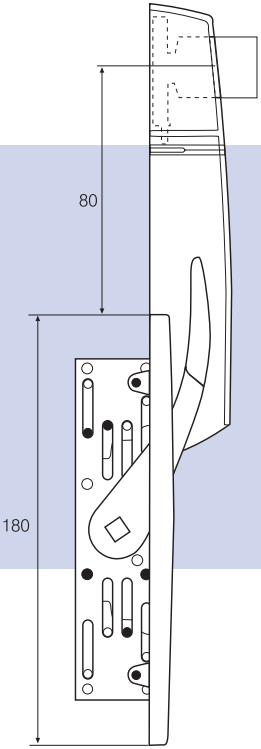
Example of the use of the 2003 padlock accessory

PRODUCT ALTERNATIVES



Quick-bolt basic versions 3000 and 3100 St

*Quick-bolt 3000 fitted with the 3005 locking hood. Suitable for use with the following locks:
ABLOY 3451, 3452, OF206*



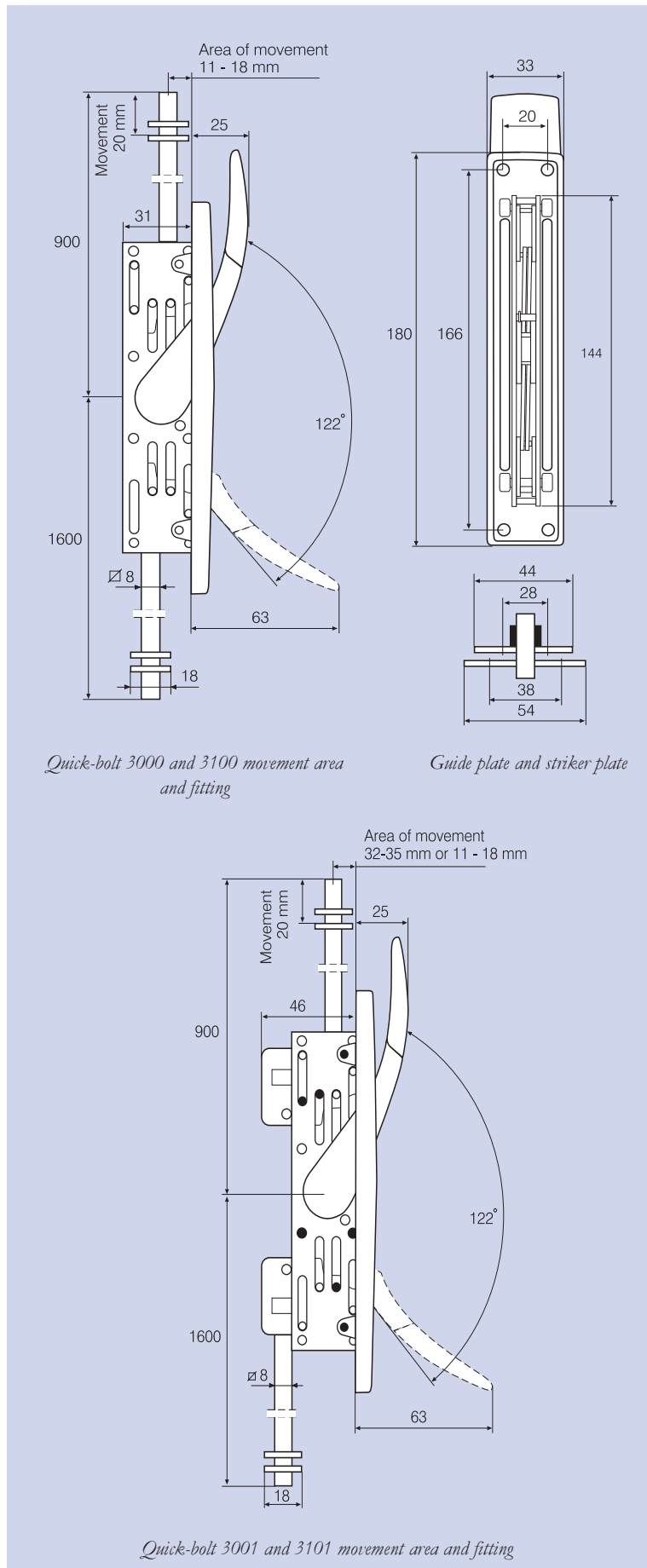
Quick-bolt 3000 fitted with 3002 padlock catch. Recommended for use with ABLOY PL330 padlock.

INSTALLATION AND MOVEMENT AREAS



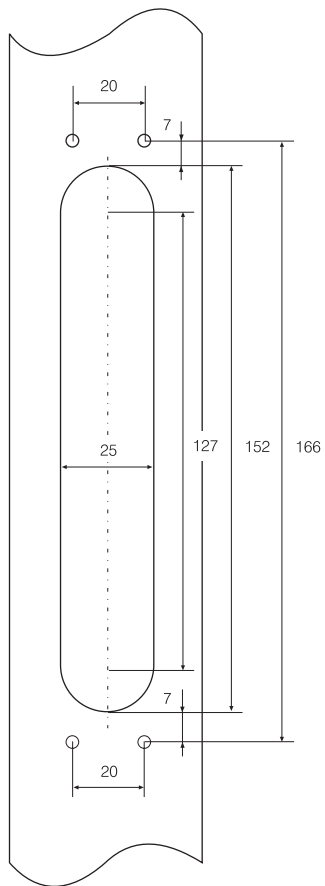
Quick-bolt 3000 fitting diagram.

The guide plate is fitted in the door and the striker plate in the door frame. The guide plate must be fitted in the door in order for the bolt to work properly.

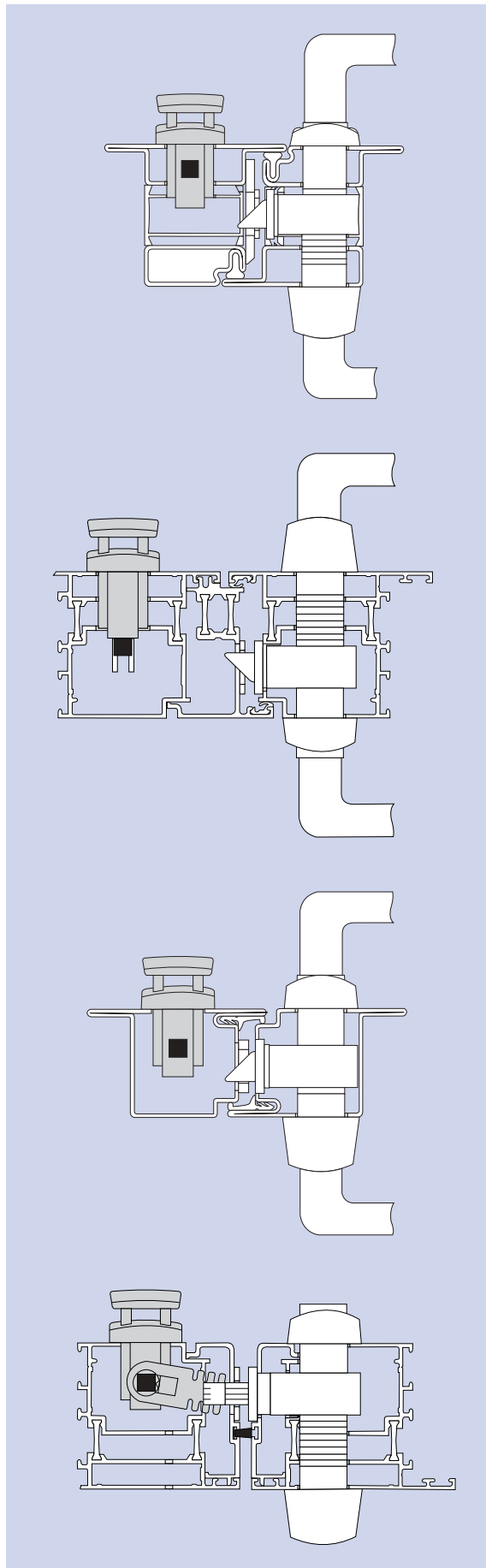


DOOR PROFILE COMPATABILITY AND DRILLING DIMENSIONS

The Quick-bolt 3000 is suitable for most doors on the market. The illustration shows examples of fitting in four common door profiles.



Drilling and hole dimensions.





www.abloy.com

Abloy Oy
Tohlopinranta 28
FIN-33270 TAMPERE
FINLAND
Tel. +358-3-284 0111
Fax. +358-3-284 0480



ABLOY® is a registered trademark of Abloy Oy.

Abloy Oy is an ASSA ABLOY Group company.
The ASSA ABLOY Group is the world's leading manufacturer and supplier of locks and associated products, dedicated to satisfying end-user needs for security, safety and convenience.