



STEP



STEP
50

Electric lock for industrial overhead doors

Compact electric lock for industrial overhead doors

STEP 50 is a high quality electric lock for industrial overhead doors. The electrically locked doors are controlled comfortably and securely via an entrance system.

Operational reliability

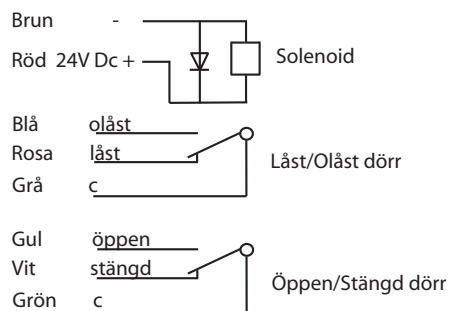
The lock has been specially developed for the difficult environment and tough treatment that is often associated with industrial overhead doors.

STEP 50 is designed to be opened even if the door is being pressed upwards by the rubber seal or snow, for example. The lock can be opened electronically or with a key even if the door is being pressed upwards with a force of 5 kN.

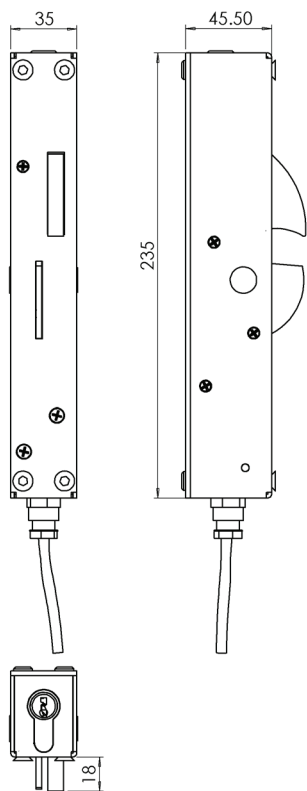
Security

STEP 50 can withstand forces of 10,000 N

STEP 50 does not use any tension on the lock but rather can only be opened with tension that can be broken immediately when the door leaves its closed position. The door's locked/unlocked and open/closed status is detected by two micro switches in STEP 50 which, when connected to an alarm system, signals the alarm if the door is forced open.



Wiring diagram



Technical data

Power consumption

Fail secure function
24 VDC ± 10%
313mA unlocked

Locking angle & inset cassette can be ordered separately

Article no	Description
ST527	Electric lock for up and over doors incl. 5 m cable
ST527-1	Locking angle intended for doors in vertical/high-lift design
ST527-2	Locking angle intended for normal/high-lift doors
ST527-3	Eurocylinder incl. 2 keys
ST527-5	Inset cassette intended for assembly with ST527-2
ST527-7	Lock sleigh intended for a simple assembly of normal/high-lift doors

- Micro switch single pole alternating
- Max. 30V DC, 1 A
- Built-in indication for detecting that the door is closed/open (bolt contact) and locked/unlocked (barrier contact) for connecting to entrance systems, alarm systems, etc.
- Breaking strength 10 kN (1000 kg)
- Guaranteed to open even with preload of 5 kN (500 Kg)
- Built-in transient protection
- Material: Locking housing in stainless steel, Latch hook in hardened steel.

