

Mechanical lock cases, hinges and door hardware



General information	3-4	Exit locks for wooden/steel doors		Installation accessories	
Locks for interior doors		ABLOY® LE180.....	27	ABLOY® 2050 installation box	41
ABLOY® 2011.....	5	ABLOY® LE184.....	27	ABLOY® 2051 installation box	41
ABLOY® 2014.....	5	ABLOY® LE185.....	28	Transfer device ABLOY® 518	41
ABLOY® 2016.....	5	ABLOY® LE181.....	28	Rounding pieces	42
ABLOY® 2018.....	6	ABLOY® LE183.....	29	Escutcheons.....	42
ABLOY® 2020.....	6	ABLOY® LE186.....	29	Cover plates	42
ABLOY® 2025.....	6			Cover front plates.....	43
ABLOY® 2040.....	7	Double cylinder lock cases for		Keys	43
ABLOY® 4238.....	7	wooden/steel doors		Striker plates.....	44
ABLOY® 4249.....	7	ABLOY® LC120	30		
ABLOY® 4260.....	8	ABLOY® LC121	30	Hinges	48
ABLOY® LC290	8	ABLOY® LC121T	30	Drill-in hinges for windows.....	48
ABLOY® LC291	8	ABLOY® LC122	31	Hinges for interior doors.....	48
ABLOY® 4290.....	9	ABLOY® LC123	31	Hinges for exterior doors.....	50
ABLOY® 4291.....	9	ABLOY® LC125	31	Hinges for glass doors.....	51
ABLOY® 4570.....	9	ABLOY® LC127	32	Concealed hinges.....	51
ABLOY® 9456.....	10				
ABLOY® 4202.....	10	Security and additional locks for		Hardware	52
ABLOY® 4203.....	10	wooden /steel doors		Letter plates	52
ABLOY® 4207.....	11	ABLOY® 428.....	32	Quick bolt.....	53
ABLOY® 4208.....	11	ABLOY® SL905	32	Flush bolt	54
ABLOY® 4292.....	11	ABLOY® SL905MP	33		
ABLOY® 4293.....	12	ABLOY® SL928	33	Mortises	55
ABLOY® 4297.....	12	ABLOY® SL928MP	33	Locks for interior doors	55
ABLOY® 4298.....	12	ABLOY® 4181.....	34	Lock cases for wooden/steel doors.....	58
		ABLOY® LC211	34	OneFit mortise.....	59
		ABLOY® 4232.....	34	Double cylinder lock cases for wooden/	
		ABLOY® 4232MP	35	steel doors	62
Lock cases for wooden/steel doors				Security and additional locks for wooden/	
ABLOY® LC102	13	Security locks for narrow profile doors		steel doors	62
ABLOY® LC190	13	ABLOY® LC306	35	Security locks for narrow profile doors.....	63
ABLOY® LC193	14	ABLOY® LC306H.....	35	Lock cases for narrow profile doors	64
ABLOY® LC194	14	ABLOY® LC307	36	Double cylinder lock cases for narrow	
ABLOY® LC195	15	ABLOY® LC307H.....	36	profile doors	64
ABLOY® LC197	15			Installation accessories.....	65
ABLOY® LC960	16	Lock cases for narrow profile doors		Striker plates.....	65
ABLOY® LC100	16	ABLOY® LC300	36	Multipoint locking applications	67
ABLOY® 4190.....	17	ABLOY® LC301	37		
ABLOY® 4190T.....	17	ABLOY® LC301F.....	37		
ABLOY® LC204	17	ABLOY® LC302	37		
ABLOY® 4194.....	18	ABLOY® LC303	38		
ABLOY® 4195.....	18	ABLOY® LC305	38		
ABLOY® 4195T.....	18				
ABLOY® 4197.....	19	Double cylinder lock cases for			
ABLOY® 4960.....	19	narrow profile doors			
ABLOY® E4190.....	20	ABLOY® LC130	38		
ABLOY® E4194.....	20	ABLOY® LC131	39		
ABLOY® E4195.....	21	ABLOY® LC132	39		
ABLOY® LC200	22				
ABLOY® LC202	22	Exit locks for narrow profile doors			
ABLOY® LC203	22	ABLOY® LE310	39		
ABLOY® LC205	23	ABLOY® LE314	40		
ABLOY® LC206	23	ABLOY® LE315	40		
ABLOY® LC208	23				
ABLOY® LC209	24				
ABLOY® LC209A	24				
ABLOY® LC210	24				
ABLOY® 451S	25				
ABLOY® 451SMP	25				
ABLOY® 4865.....	26				
ABLOY® 4272.....	26				
ABLOY® 4272MP	26				

Product information

Locks with automatic deadlocking

Many ABLOY® lock cases are equipped with an automatic deadlocking action, which facilitates the use of the lock. The automatic deadlocking action is controlled by a snib in the forend. In the deadlocking mode it is not possible to retract the bolt other but using the cylinder or thumbturn and consequently a lock case with an automatic deadlocking must always be fitted with a cylinder or a thumbturn. Automatic deadlocking lock cases are designed to function perfectly with 2–5 mm door clearance.

T-model

The automatic deadlocking is controlled by a turning snib in the forend. The snib can be turned by a square key. The position of the turning snib: Turned clockwise = deadlocking. Turned anticlockwise = day use.

ABLOY® LC100 and LC102

ABLOY® LC100 and LC102 lock case is opened by turning first the key or thumbturn and then using the handle. The snib is locked to the deadlocking mode by turning a set screw, located below the snib, about two turns anticlockwise by a hexagonal key, until the screw stops and is opened by turning the screw clockwise.

Double cylinder lock cases and transfer devices

Double cylinder lock cases and transfer devices can be used to combine two different key systems in the same door. For example doors for electrical control rooms, boiler rooms, garbage sheds or similar service premises are suitable for application, thus making it possible to provide an access for e.g. a service company to enter the room with their own keys.

Applications

When choosing a lock case for a particular purpose, you should pay attention to the demands for: burglary protection, insurance company requirements, fire resistance, emergency exit safety, operational safety, durability, mortice and fittings standards, corrosion protection.

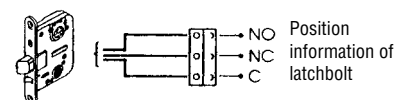
The most common applications and the lock cases used:

Interior doors	Interior doors/standard: 2014, 2020, 2040, Interior doors/renovation: 2020, 2025 Public buildings: 2018, 4203, 4290, 4293, LC208 Narrow profiles: LC300 Toilets/bathrooms/standard: 2014, 2025, 2040 Public buildings: 4207, 4291, 4297, 2025, LC200, LC291 Saunas: 4238 Lockable interior doors/standard: 2011, 2016, 2018, 4230, 4260, 4570, 9456 Public buildings: 4190, LC190, 4202, 4230, 4292, LC200 Narrow profiles: LC302, LC305 Sliding doors/standard: 4249 Public buildings: 4960, LC960
Exterior doors	Houses/standard: LC100, LC102, LC190, 4190, 4272, LC200, LC209, LC209A, LC210, 451S Public buildings: 4190 (T), 4195 (T), 4272, LC190, LC195, LC200, LC209, LC209A, LC210 Narrow profiles: LC302, LC305 Steel doors: 4272MP, 451SMP
Additional locking	Wooden doors: SL905, SL928, 4181, 4232, 4298, 4208, LC211 Narrow profiles doors: LC306, LC307 Sliding narrow profiles doors: LC306H, LC307H Steel doors: SL428MP, 4232MP, SL905MP
Fire doors	Interior doors/standard: LC209, LC209A, LC210, 2011, 2014, 2025 Interior doors/public building: 4290, 4291, 2025 Houses/public building: 4190, 4190T, 4194, 4197, LC100, LC102, LC190, LC194, LC197 LC200, LC202, LC203, LC204, LC206, LC208, LC209, LC209A, LC210, 4272 Narrow profiles: LC300, LC301F, LC303, LC305 Steel doors: 4272MP
Emergency exits	Wooden doors: One leaf: LC193, LC203, LE180, LE184, LE185 Double door active leaf: LE181, LE183, LE185 Narrow profiles: One leaf: LC301, LC301F, LE310, LE314, LE315 Double door active leaf: LE310, LE314, LE315

Microswitch locks

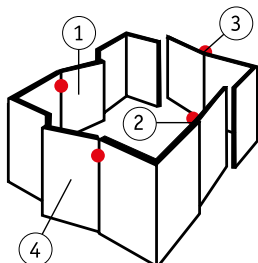
In microswitch locks the switch changes the status when the bolt has reached its fully protruded position and/or it's deadlocked. The ABLOY® microswitch lock case is equipped with a microswitch, which has a change-over contact. The switch follows mechanically the moves of the bolt or the deadlocking elements and changes its status according to the position of the actuating elements. The switching function of a particular lock type is clarified in the descriptions of the lock types.

- The microswitch version of each lock case has a product code ending with "X".
The product code for the microswitch version of e.g. 4190 is 4190X.
- Drilling, installation and mounting of door furniture is carried out in the same way as of corresponding mechanical lock cases, except that the cable of the microswitch needs to be routed to the door frame.
- Protective voltage must be used with microswitch lock cases.
 - Maximum current 1 A
 - Maximum voltage 60 VDC, 42 VAC
 - Maximum power 24 W
- A lock with a microswitch can be used as a sensor or switch for e.g. passage control or burglar alarm systems.
- Security locks can be used as switching and by-pass locks for burglar alarm systems.



Handing

Please specify the handing when ordering a lock case. A simple way to determine if the door (and lock) is left or right handed is to look at the door from the hinge side.



Left hand (1 & 3)

The hinges are on the left side.

Right hand (2 & 4)

The hinges are on the right side.

Dimensions & mortises

The drawings in this catalogue are available at www.abloy.com

Cylinders

The cylinder to be used with a lock case is specified for each product. We have used the following abbreviations:

CYLINDER AND FITTINGS

ABLOY® C, N, T, U Finnish range

KEY TYPES

ABLOY® CLASSIC (C), rotation direction only to clockwise
ABLOY® PROTEC (N), ABLOY® PROTEC2 (T), ABLOY® NOVEL (U)

SCAND Scandinavian range oval/round

ABLOY® PROTEC (N), ABLOY® PROTEC2 (T), ABLOY® NOVEL (U), ASSA, TrioVing o.e.

Euro DIN Europrofile DIN range

ABLOY® PROTEC (N), ABLOY® PROTEC2 (T), ABLOY® NOVEL (U), FAB o.e.

Please contact the importer or your local dealer for more detailed information.

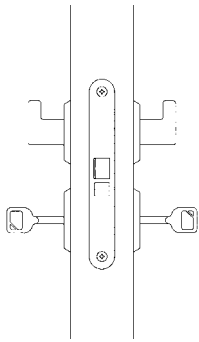
General finishes

Fe/CR	Chrome plated steel
Fe/ZN	Zinc plated steel
Fe/ZL	Zinc chromated and lacquered steel
Fe/JME	Powder coated steel, brass colour
Fe/JHA	Powder coated steel, grey colour
Fe/JVA	Powder coated steel, white colour
Fe/HCR	Satin chrome plated steel
ZNALCU/JME	Powder coated zamac, brass colour
Fe/YECRLQ	Yellow chromated and lacquered steel
Ms/CR	Chrome plated brass
Ms/HCR	Satin chrome plated brass
Ms/HA	Brushed and lacquered brass
Ms/KI	Polished brass
Ms/KILA	Polished and lacquered brass
Rt	Stainless steel

Special finishes: E.g. special powder colours, chemical nickel, brass plated are made only to order. Propriety to applications must be checked.

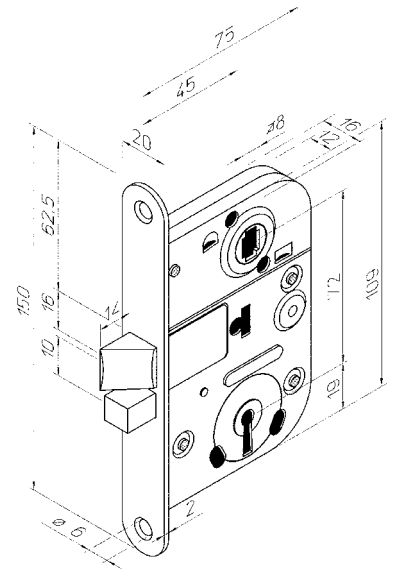
In wet places or other corrosive atmospheres, as indoor swimming baths, spas, food and chemical industry etc, a chemical nickel coating is recommended.

ABLOY® 2011

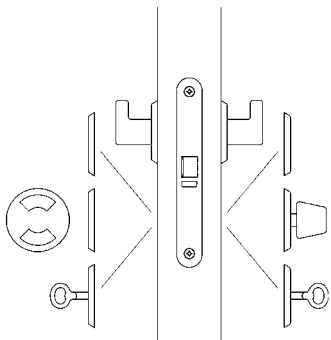


Lever lock for interior doors. The lock features 5 levers to give 250 different key combinations. Lock handing can easily be changed by pulling out the latchbolt and turning it 180° clockwise. The lock is fitted with lever handles and an escutcheon. The lock can also be equipped with DIN standard fittings. See page 41.

Striker plate	0043, 0045, 0053, 0055, 0068, 0068B
Finish	Fe/ZN, Fe/JME
Fire resistance	Yes
Mortise standard	SFS 5210 SS 81 73 82 Please see page 55

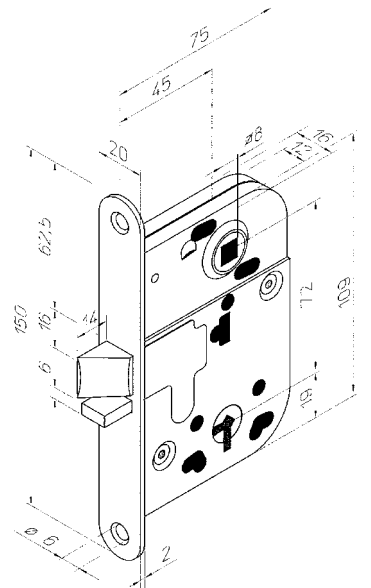


ABLOY® 2014

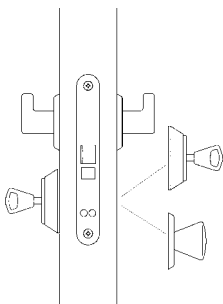


Lock for interior doors. It can be locked with either a key or a toilet thumbturn. Lock handing can easily be changed by pulling out the latchbolt and turning it 180° clockwise. The lock can be used with a lever handle only or with both a lever handle and a key or a toilet thumbturn. The lock can also be equipped with DIN standard fittings. See page 41.

Striker plate	0043, 0045, 0053, 0055, 0068, 0068B
Finish	Fe/ZN, Fe/JME
Fire resistance	Yes
Mortise standard	SFS 5210 SS 81 73 82 Please see page 55

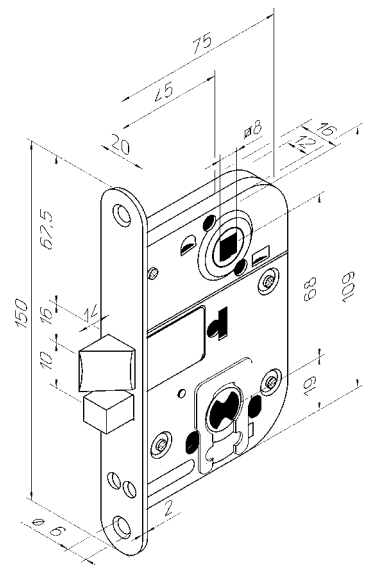


ABLOY® 2016

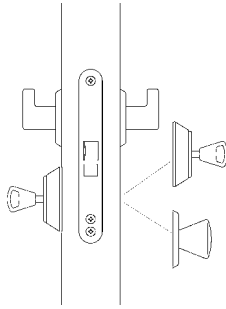


Cylinder lock case for interior doors. It can be locked using a key or a thumbturn. In locked position, the deadbolt protrudes 14 mm. Lock handing can easily be changed by pulling out the latchbolt and turning it 180° clockwise.

Striker plate	0043, 0045, 0053, 0055, 0068, 0068B
Finish	Fe/ZL
Fire resistance	Yes
Cylinder	SCAND
Mortise standard	SFS 5210 SS 81 73 82 Please see page 55



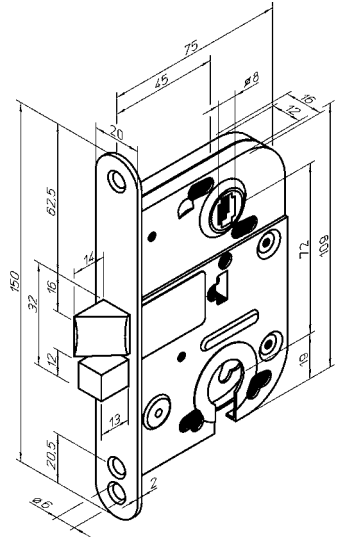
ABLOY® 2018



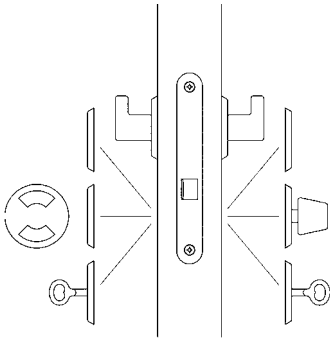
Cylinder lock for interior doors. The lock can be opened and locked by turning the key one turn. In locked position, the deadbolt protrudes 14 mm. The latch can be retracted both by handles or by key.

Lock handing can easily be changed by pulling out the latchbolt and turning it 180° clockwise.

- Striker plate 0043, 0045, 0053, 0055, 0068, 0068B
- Finish Fe/JME, Fe/ZL
- Fire resistance Yes
- Cylinder Euro DIN
- Mortise Special mortise standard, please see page 55



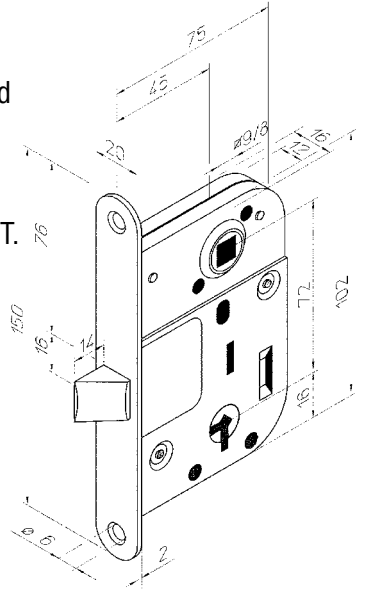
ABLOY® 2020



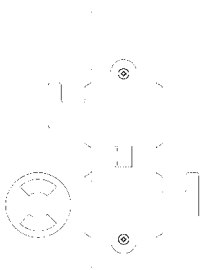
Lock for interior doors. It has one latch bolt which can be deadlocked with either a key or a toilet thumbturn. Lock handing can easily be changed by pulling out the latchbolt and turning it 180° clockwise. The lock can be used with a lever handle only or with both a lever handle and a key or a toilet thumbturn.

The lock fits into the same mortise as e.g. ASSA 404 and 404T. 2020 replaces the following old lock types: BODA 408-409-418-420-422-423-448-501-502-503 and ASSA 404 and 404T

- Striker plate 0043, 0045, 0053, 0055, 0068, 0068B
- Finish Fe/JME
- Fire resistance Yes
- Mortise standard SFS 5210
SS 81 73 82
Please see page 55



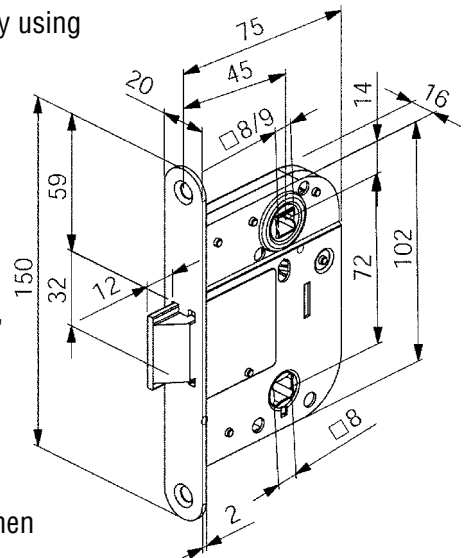
ABLOY® 2025



A toilet door lock, which is locked by turning the lever handle upwards. The finish can easily be changed by using decorative cover front plate. The lock can be used without decorative cover front plate also. Lock handing can easily be changed by pulling out the latchbolt and turning it 180° clockwise.

- Striker plate 0043, 0045, 0053, 0055, 0068, 0068B
- Standard finish, lock Fe/JME
- Decorative front plate 7640 Fe/CR, Fe/HCR, Ms/HA, Ms/KI, Rt
- Fire resistance Yes
- Mortise standard SFS 5210
SS 81 73 82
Please see page 55

The mortise for the forend should be 3 mm deep when using cover front plate 7640.



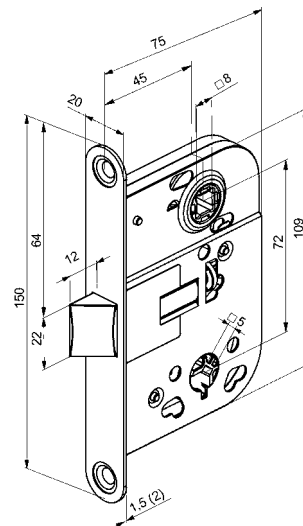
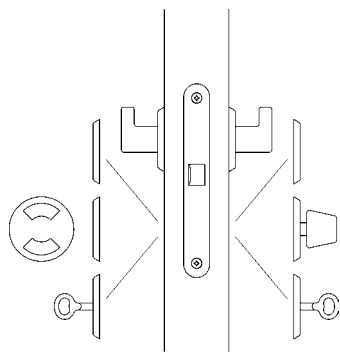
ABLOY® 2040

Lock for interior doors. The lock can be used with a lever handle only or with both a lever handle and a toilet thumbturn.

Lock handing can easily be changed by pulling out the latch bolt and turning it 180° clockwise.

The lock can also be equipped with DIN standard fittings. See page 41.

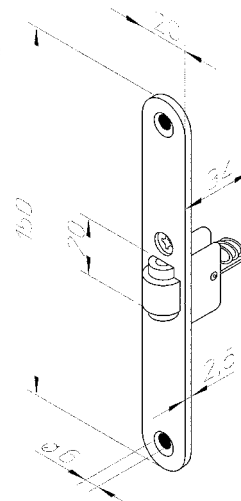
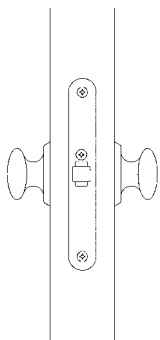
Striker plate	0043, 0045, 0053, 0055, 0068, 0068B
Standard finish	Fe/JME and Fe/Zn
Additional finish	Fe/CR, Fe/HCR, Ms/HA, Ms/KILA, Rt
Fire resistance	–
Mortise standard	SFS 5210 SS 81 73 82 Please see page 55



ABLOY® 4238

Symmetric roller latch. The roller latch protrusion can be adjusted by means of a screw in the front plate. The door must have a door pull. For reasons of safety, a special striker plate is used in conjunction with the roller latch.

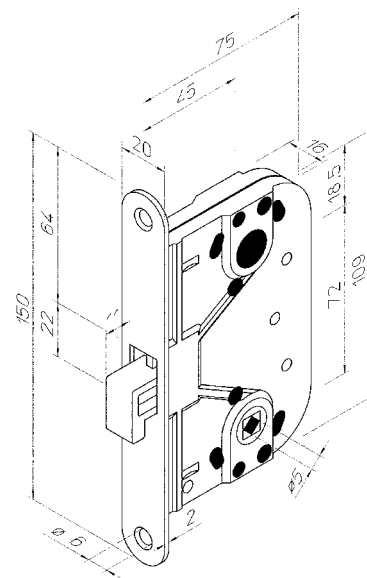
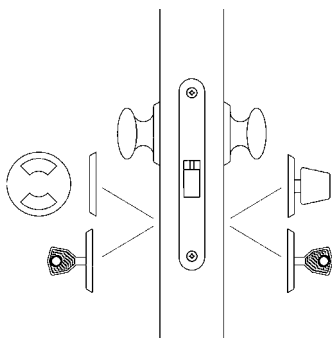
Striker plate	0046, 0078
Finish	ZNALCU/JME
Fire resistance	–
Mortise standard	SFS 5210 SS 81 73 82 Please see page 55



ABLOY® 4249

Lock case for lightweight sliding and folding doors. The hookbolt can be locked. Either by using a key or toilet thumbturn.

Striker plate	4662
Finish	Fe/JME
Additional finish	Fe/CR, Fe/HCR, Ms/HA, Ms/KILA, Rt
Fire resistance	–
Mortise standard	SFS 5210 SS 81 73 82 Please see page 55



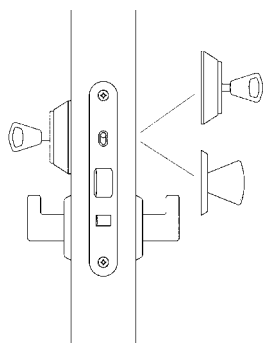
ABLOY® 4260

Cylinder mortise lock with an automatically deadlocking latchbolt for interior doors. Deadlocking is controlled by a snib in the front plate.

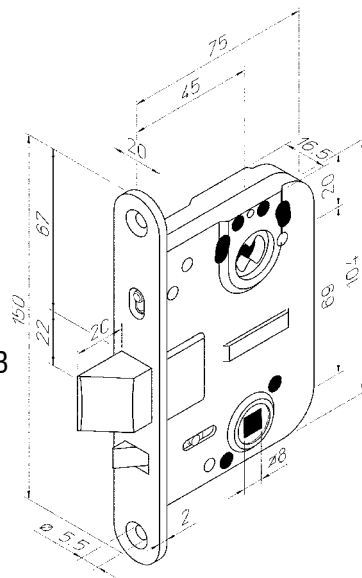
Snib position:

UP = Deadlocking, latchbolt protrudes 20 mm. The lock can be opened only with a key or a thumbturn.

DOWN = Latchbolt protrudes 14 mm. Lock can also be opened with lever handles.



Striker plate	0043, 0045, 0053, 0055, 0068, 0068B
Finish	Fe/JME, Fe/ZN
Cylinder	ABLOY® C, N, T, U
Fire resistance	–
Mortise standard	SFS 5210
	SS 81 73 82
	Please see page 55



ABLOY® LC290

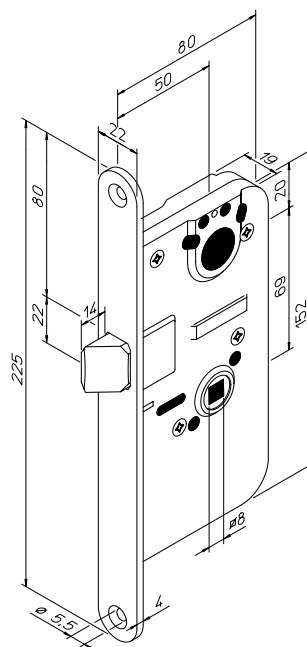
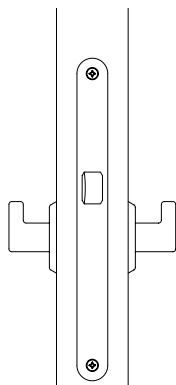
Mortise lock with a lever handle function only. Recommended for public buildings.

Striker plate: 4690, 4691, LP711, LP714, LP721, LP731

Finish: Fe/ZL

Fire resistance: Wooden doors EI₁₅ – EI₃₀ and EI₂₁₅ – EI₂₃₀, Metal doors EI₁₁₅ – EI₁₂₀ and EI₂₁₅ – EI₂₁₂₀

Mortise: OneFit mortise
Please see page 59



ABLOY® LC291

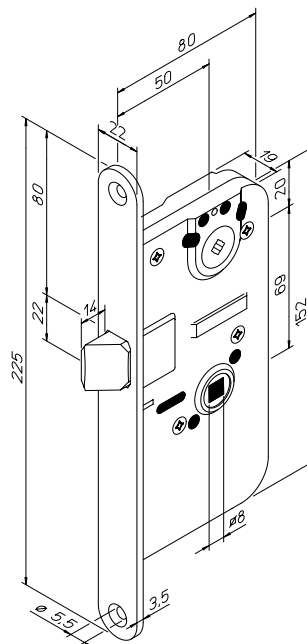
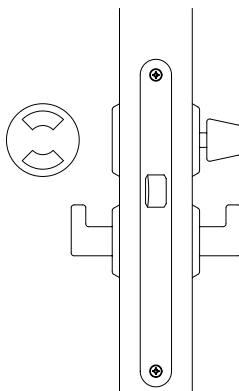
Mortise lock for toilet doors in public buildings. The lock is suitable for use with lever handles and a toilet thumbturn.

Striker plate: 4690, 4691, LP711, LP714, LP721, LP731

Finish: Fe/ZL

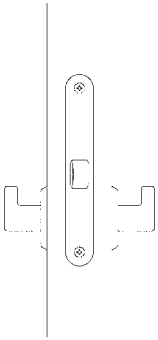
Fire resistance: Wooden doors EI₁₅ – EI₃₀ and EI₂₁₅ – EI₂₃₀, Metal doors EI₁₁₅ – EI₁₂₀ and EI₂₁₅ – EI₂₁₂₀

Mortise: OneFit mortise
Please see page 59



ABLOY® 4290

Mortise lock with a lever handle function.
Recommended for public buildings.

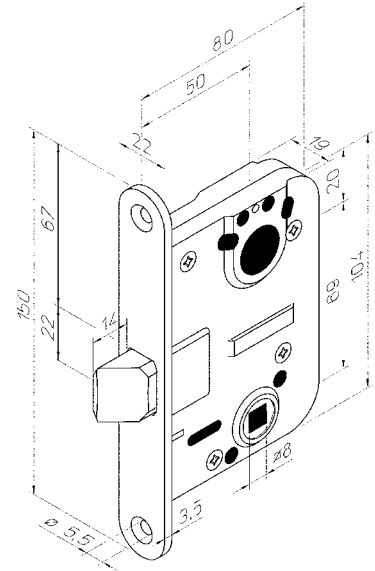


Striker plate 4690, 4691,
LP711, LP714, LP721, LP731

Finish Fe/ZL

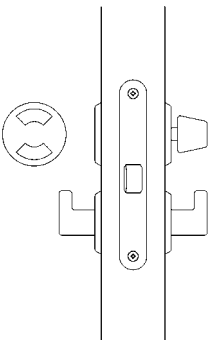
Fire resistance: Wooden doors EI15 – EI160 and
EI215 – EI260,
Metal doors EI15 – EI120 and
EI215 – EI2120

Mortise standard SFS 5209
Please see page 60



ABLOY® 4291

Mortise lock for toilet doors in public buildings.
The lock is suitable for use with lever handles and a toilet thumbturn.

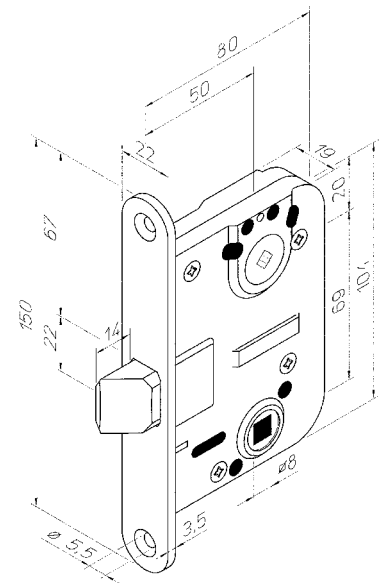


Striker plate 4690, 4691,
LP711, LP714, LP721, LP731

Finish Fe/ZL

Fire resistance: Wooden doors EI15 – EI160 and
EI215 – EI260,
Metal doors EI15 – EI120 and
EI215 – EI2120

Mortise standard Please see page 57



ABLOY® 4570

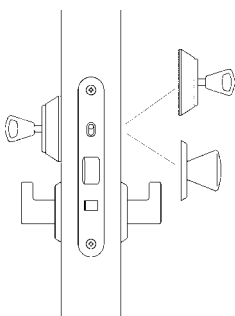
Cylinder mortise lock with an automatically deadlocking
latchbolt for interior doors. Deadlocking is controlled by
a snib in the front plate.

Snib position:

UP = Deadlocking, latchbolt protrudes 20 mm. The lock
can be opened only with a key or a thumbturn.

DOWN = Latchbolt protrudes 14 mm.

The lock can also be opened with lever handles.



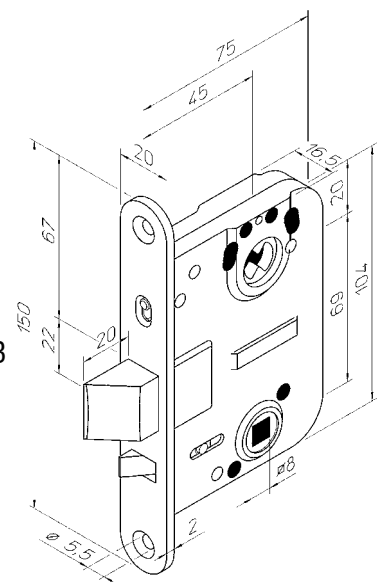
Striker plate 0043, 0045, 0053, 0055, 0068, 0068B
Other striker plates
see page 37–38

Finish Fe/ZL

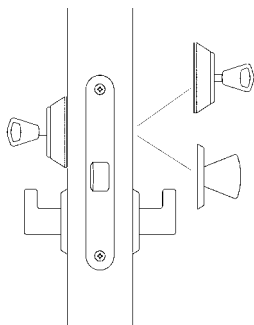
Cylinder ABLOY® N, T, U, SCAND

Fire resistance –

Mortise standard SFS 5210
SS 81 73 82
Please see page 55



ABLOY® 9456



Cylinder lock case for interior doors. A turn of the key or thumbturn clockwise throws the latchbolt 20 mm and deadlocks. The lock is opened by turning the key or thumbturn anticlockwise thereby allowing the latchbolt to protrude 14 mm for day mode. The door can then be opened using the lever handles.

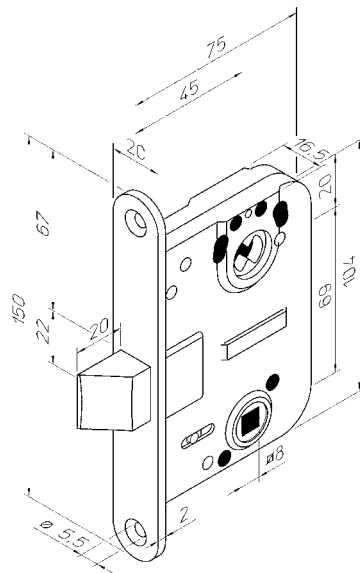
Striker plate 0043, 0045, 0053, 0055, 0068, 0068B
 Other striker plates see page 37–38

Finish Fe/ZL

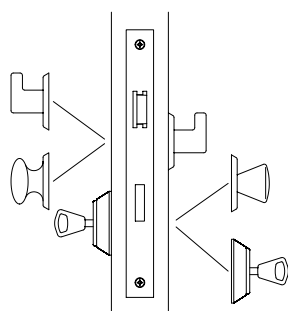
Cylinder ABLOY® N, T, U, SCAND

Fire resistance –

Mortise standard SFS 5210
 SS 81 73 82
 Please see page 55



ABLOY® 4202



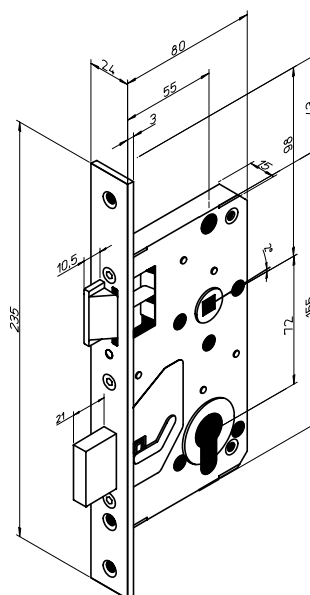
Symmetrical DIN euro cylinder lock for fire doors. The latch is controlled by lever handles or a cylinder and the deadbolt by the cylinder. The deadbolt is protruding 20 mm. The lock can be used with DIN escutcheons and long plates. The handedness can easily be changed by pushing the latch bolt inside the lock case and turning it.

Striker plate 4673

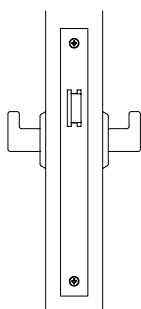
Finish Rt, Ms/KILA

Cylinder Euro DIN

Fire resistance Yes



ABLOY® 4203

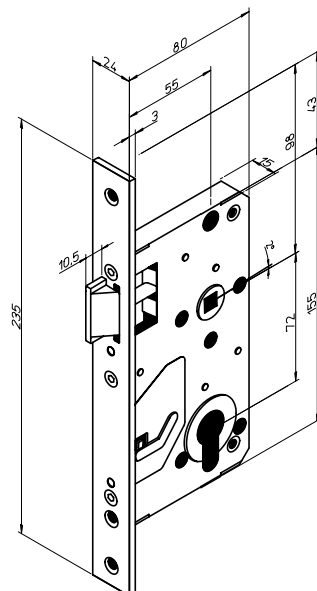


Symmetrical DIN lock for fire doors with handle function. The lock can be used with DIN escutcheons and long plates. The handedness can easily be changed by pushing the latch bolt inside the lock case and turning it.

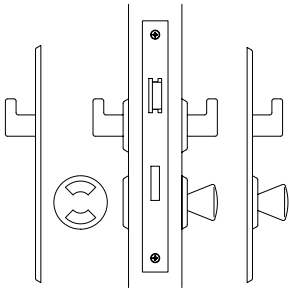
Striker plate 4673

Finish Rt, Ms/KILA

Fire resistance Yes

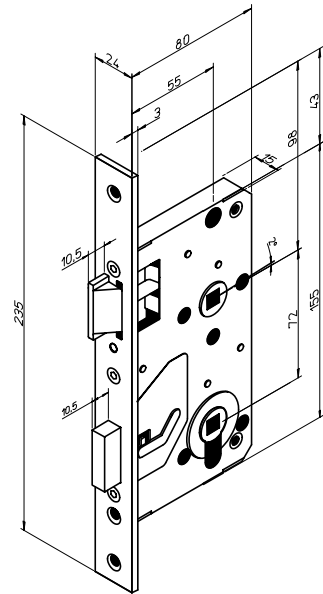


ABLOY® 4207

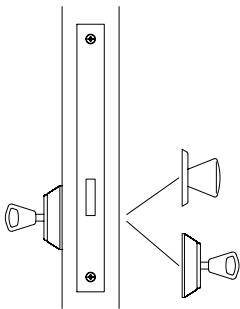


Symmetric DIN lock for toilet doors.
The handing of the lock can easily be changed by turning the latch 180°.
The latch is controlled by lever handles and the deadbolt by a toilet thumbturn (8 mm spindle).
The deadbolt is protruding 10 mm.

- Striker plate 4673
- Finish Rt, Ms/KILA
- Fire resistance –
- Mortise standard Please see page 58

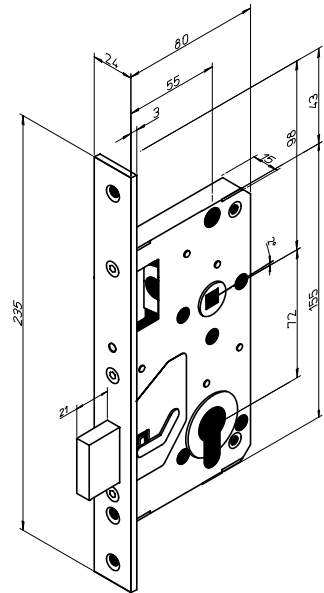


ABLOY® 4208

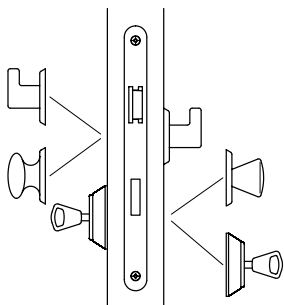


Symmetrical DIN lock with deadbolt function.
The deadbolt is controlled by the cylinder. The deadbolt is protruding 20 mm. The lock can be used with DIN escutcheons and long plates.

- Striker plate 4673
- Finish Rt, Ms/KILA
- Cylinder Euro DIN
- Fire resistance –

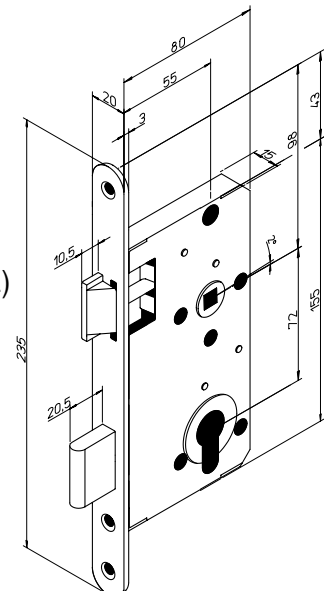


ABLOY® 4292

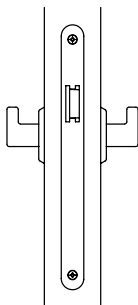


Symmetrical DIN euro cylinder lock for fire doors.
The latch is controlled by lever handles or a cylinder and the deadbolt by the cylinder. The deadbolt is protruding 20 mm. The lock can be used with DIN escutcheons and long plates. The handedness can easily be changed by pushing the latch bolt inside the lock case and turning it.

- Striker plate 0029, 4667, 4669 (Finish Fe/JME, Fe/ZL)
- Striker plate 4673 (Finish Rt, Ms/KILA)
- Finish for lock case Fe/JME, Fe/ZL, Rt, Ms/KILA
- Cylinder Euro DIN
- Fire resistance Yes



ABLOY® 4293



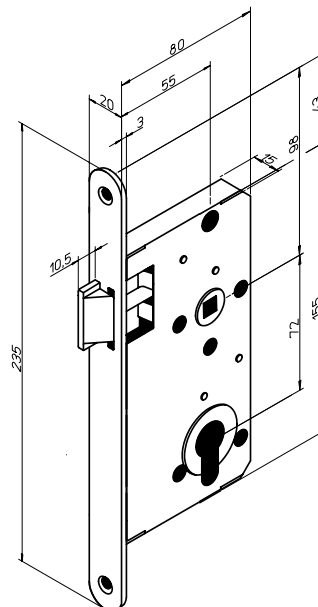
Symmetrical DIN lock for fire doors with handle function. The lock can be used with DIN escutcheons and long plates. The handedness can easily be changed by pushing the latch bolt inside the lock case and turning it.

Striker plate 0029, 4667, 4669 (Finish Fe/JME, Fe/ZL)

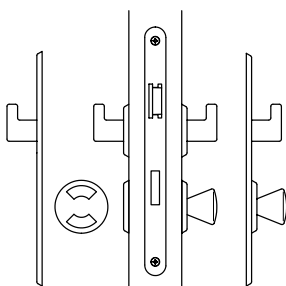
Striker plate 4673 (Finish Rt, Ms/KILA)

Finish for lock case Fe/JME, Fe/ZL, Rt, Ms/KILA

Fire resistance Yes



ABLOY® 4297



Symmetric DIN lock for toilet doors. The handing of the lock can easily be changed by turning the latch 180°. The latch is controlled by lever handles and the deadbolt by a toilet thumbturn (8 mm spindle). The deadbolt is protruding 10 mm.

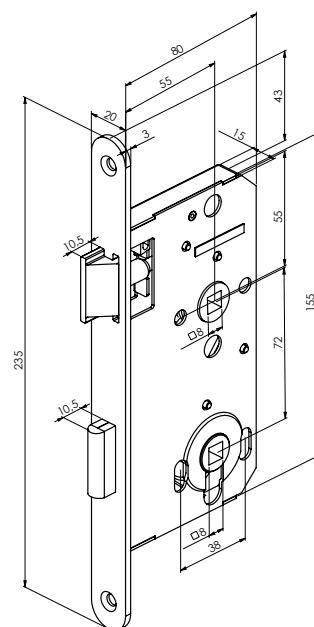
Striker plate 0029, 4667, 4669 (Finish Fe/JME, Fe/ZL)

Striker plate 4673 (Finish Rt, Ms/KILA)

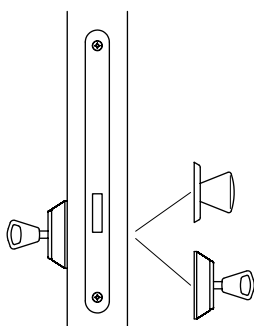
Finish for lock case Fe/JME, Fe/ZL, Rt, Ms/KILA

Fire resistance –

Mortise standard Please see page 59



ABLOY® 4298



Symmetrical DIN lock with deadbolt function. The deadbolt is controlled by the cylinder. The deadbolt is protruding 20 mm. The lock can be used with DIN escutcheons and long plates.

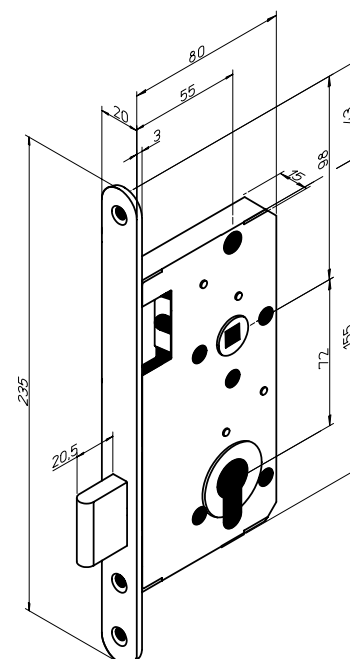
Striker plate 0029, 4667, 4669 (Finish Fe/JME, Fe/ZL)

Striker plate 4673 (Finish Rt, Ms/KILA)

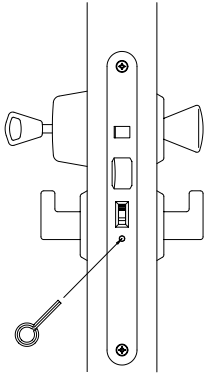
Finish for lock case Fe/JME, Fe/ZL, Rt, Ms/KILA

Cylinder Euro DIN

Fire resistance –



ABLOY® LC102



Cylinder lock case with an automatically deadlocking latchbolt. The lock must always be equipped with handles on both inside and outside. The deadlocking is controlled by a snib in the forend. When the snib is in deadlocking mode, the door is opened by turning the outside key 180° or the inside thumbturn 90°. The handles are then activated, and the latchbolt can be retracted.

Snib position:

UP = Deadlocking, latchbolt protrudes 21 mm. The lever handles are activated by the key or the thumbturn.

DOWN = Latchbolt protrudes 14 mm.

The door is opened with the lever handles.

The lock case LC102 is fitted with a feature to prevent unauthorized use of the snib. The snib is locked to the deadlocking mode by turning a set screw, located below the snib, about two turns anticlockwise by a hexagonal key, until the screw stops and is opened by turning the screw clockwise.

LC102X is the microswitch version of the lock. The switch changes its status when the bolt has protruded to 21 mm.

Following striker plates are recommended to be used with a microswitch locking box: 4692, 4693.

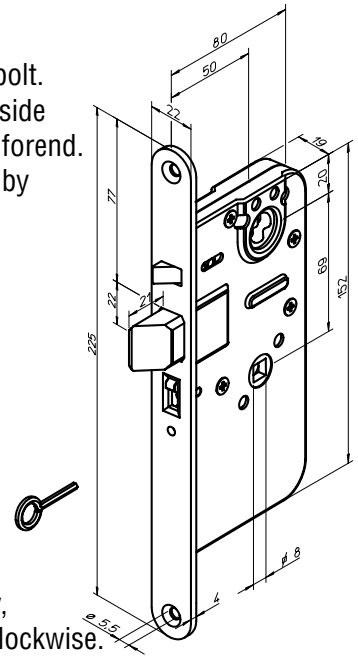
Striker plate: 4690, 4691, LP711, LP714, LP721, LP731

Finish: Fe/ZL

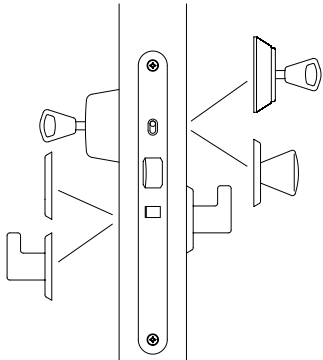
Cylinder: ABLOY® C, N, T, U

Fire resistance: Wooden doors EI₁15 - EI₁30 and EI₂15 - EI₂30,
Metal doors EI₁15 - EI₁120 and EI₂15 - EI₂120

Mortise standard: OneFit mortise. Please see page 59



ABLOY® LC190



A cylinder lock case with an automatically deadlocking latchbolt.

The latchbolt is deadlocked when both triggering bolt and latchbolt are retained inside the lock case.

The deadlocking is controlled by a snib in the forend. The lock case is fitted with a feature to prevent unauthorized use of the snib. The snib can be moved by turning first the key or thumbturn.

Snib position:

UP = Deadlocking, latchbolt protrudes 21 mm. The lock can be opened only with a key or a thumbturn.

DOWN = Latchbolt protrudes 14 mm. The lock can also be opened with the lever handles.

LC190X is the microswitch version of the lock. The switch changes its status when the latchbolt protrudes 21 mm.

Following striker plates are recommended to be used with a microswitch locking box: 4692, 4693.

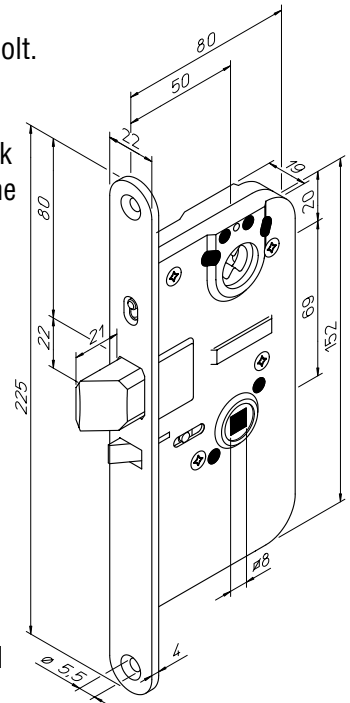
Striker plate: 4690, 4691, LP711, LP714, LP721, LP731

Finish: Fe/ZL

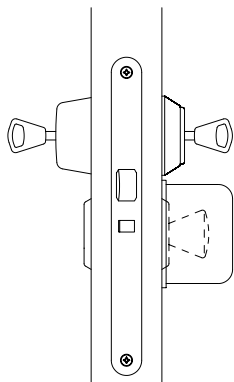
Cylinder: ABLOY® C, N, T, U

Fire resistance: Wooden doors EI₁15 - EI₁30 and EI₂15 - EI₂30,
Metal doors EI₁15 - EI₁120 and EI₂15 - EI₂120

Mortise standard: OneFit mortise
Please see page 59



ABLOY® LC193



Cylinder lock case for emergency exits. The latchbolt deadlocks automatically when the door is closed, protruding 21 mm.

The lock case is suitable for use with a double cylinder and an emergency exit thumbturn. The bolt is opened with either the key or the emergency thumbturn.

LC193X is the microswitch version of the lock. The switch changes its status when the latchbolt protrudes 21 mm. Following striker plates are recommended to be used with a microswitch locking box: 4692, 4693.

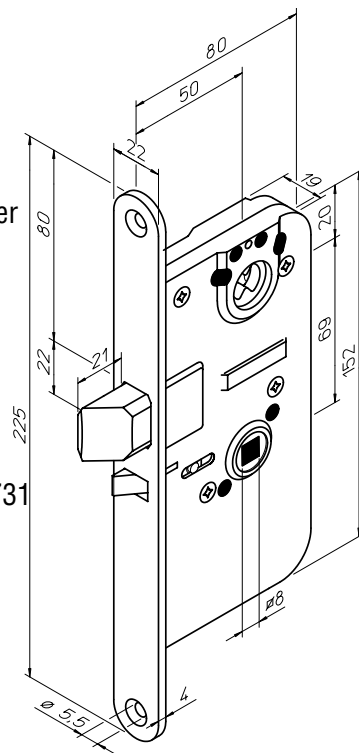
Striker plate: 4690, 4691, LP711, LP714, LP721, LP731

Finish: Fe/ZL

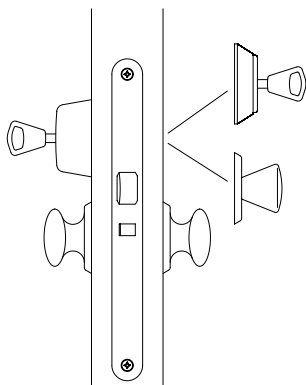
Cylinder: ABLOY® C, N, T, U

Fire resistance: Wooden doors EI₁₅ - EI₃₀ and EI₂₁₅ - EI₂₃₀,
Metal doors EI₁₅ - EI₁₁₂₀ and EI₂₁₅ - EI₂₁₂₀

Mortise standard: OneFit mortise
Please see page 59



ABLOY® LC194



Lock case with an automatically deadlocking latchbolt. The latchbolt is deadlocked when both triggering bolt and latchbolt are retained inside the lock case. The latchbolt protrudes to 21 mm when the door is closed.

The lock has no lever handle operation. The bolt is opened with either a key or a thumbturn.

LC194X is the microswitch version of the lock. The switch changes its status when the bolt protrudes 21 mm.

Following striker plates are recommended to be used with a microswitch locking box: 4692, 4693.

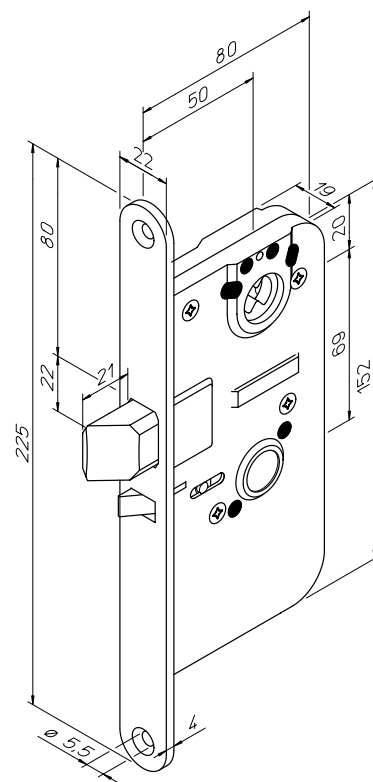
Striker plate: 4690, 4691, LP711, LP714,

Finish: Fe/ZL

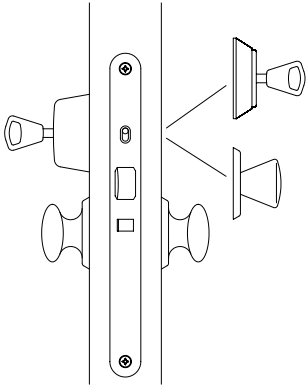
Cylinder: ABLOY® C, N, T, U

Fire resistance: Wooden doors EI₁₅ - EI₃₀ and EI₂₁₅ - EI₂₃₀,
Metal doors EI₁₅ - EI₁₁₂₀ and EI₂₁₅ - EI₂₁₂₀

Mortise standard: OneFit mortise
Please see page 59



ABLOY® LC195



Lock case with an automatically deadlocking latchbolt. The latchbolt is deadlocked when both triggering bolt and latchbolt are retained inside the lock case. Deadlocking is controlled by a snib in the front plate. The lock cases fitted with a feature to prevent unauthorized use of the snib.

The snib can be moved by turning first the key or thumbturn. The lock has no lever handle operation.

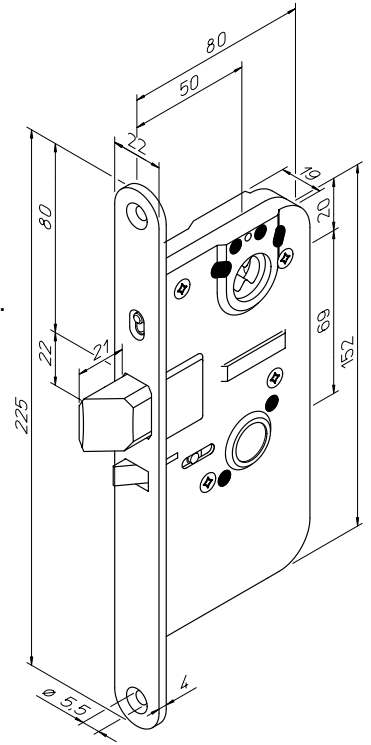
Snib position:

UP = Deadlocking, latchbolt protrudes 21 mm. The lock can be opened only with a key or a thumbturn.

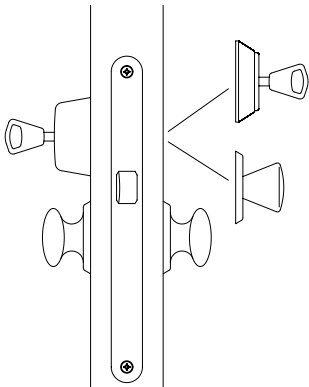
DOWN = Latchbolt is retained inside the lock case.

LC195X is the microswitch version of the lock. The switch changes its status when the bolt protrudes 21 mm. Following striker plates are recommended to be used with a microswitch locking box: 4692, 4693.

Striker plate: 4690, 4691, LP711, LP714, LP721, LP731
 Finish: Fe/ZL
 Cylinder: ABLOY® C, N, T, U
 Fire resistance: –
 Mortise standard: OneFit mortise
 Please see page 59



ABLOY® LC197



Cylinder lock case with a cylinder function for fire doors. The lock is opened by a key or a thumbturn.

The non-deadlocking latchbolt protrudes 14 mm. The lock can also be used with electromechanical striker plates.

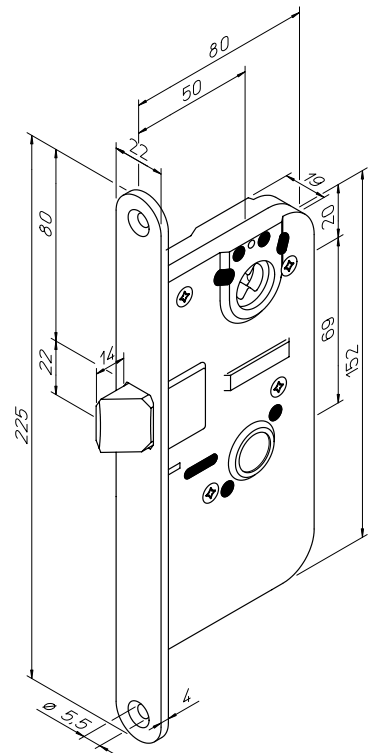
Striker plate: 4690, 4691, LP711, LP714, LP721, LP731

Finish: Fe/ZL

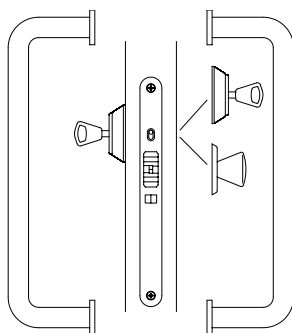
Cylinder: ABLOY® C, N, T, U

Fire resistance: Wooden doors EI15 - EI30 and EI215 - EI230,
 Metal doors EI15 - EI1120 and EI215 - EI2120

Mortise standard: OneFit mortise
 Please see page 59



ABLOY® LC960

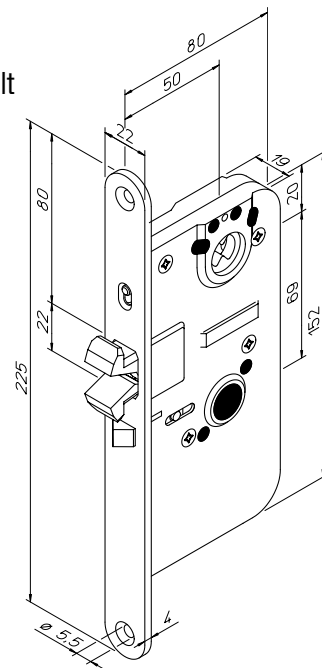


Cylinder lock case with an automatically deadlocking hookbolt for folding and sliding doors. The deadlocking is controlled by a snib in the forend.

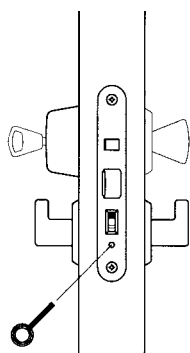
Snib position:

UP = Deadlocking, when the door is closed.
The lock can be opened with a key or a thumbturn.
DOWN = Hookbolt is retained inside the lock case.

Striker plate: 4662
Finish: Fe/ZL
Cylinder: ABLOY® C, N, T, U
Fire resistance: –
Mortise standard: OneFit mortise
Please see page 59



ABLOY® LC100



Lock case with an automatically deadlocking latchbolt. The lock must always be equipped with handles, as the latchbolt is retracted with the handles only. The deadlocking is controlled by a snib in the forend. When the snib is in deadlocking mode, the door is opened by turning the outside key 180° or the inside thumbturn 90°. The handles are then activated, and the latchbolt can be retracted.

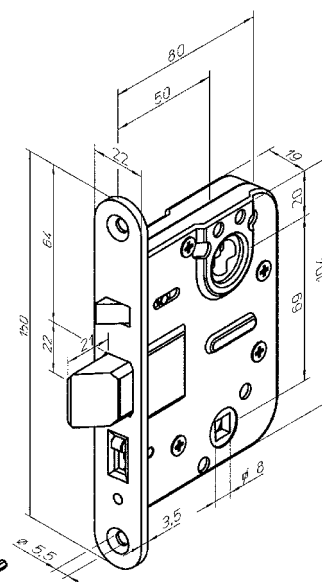
Snib position:

UP = Deadlocking, latchbolt protrudes 21 mm. The lever handles are activated by the key or the thumbturn.
DOWN = Latchbolt protrudes 14 mm.
The door is opened with the lever handles.

The lock case LC100 is fitted with a feature to prevent unauthorized use of the snib. The snib is locked to the deadlocking mode by turning a set screw, located below the snib, about two turns anticlockwise by a hexagonal key, until the screw stops and is opened by turning the screw clockwise.

LC100X is the microswitch version of the lock. The switch changes its status when the bolt has protruded to 21 mm. Following striker plates are recommended to be used with a microswitch locking box: 4692, 4693.

Striker plate 4690, 4691, LP711, LP714, LP721, LP731
Finish Fe/ZL
Cylinder ABLOY® C, N, T, U
Fire resistance: Wooden doors EI115 – EI160 and EI215 – EI260,
Metal doors EI115 – EI120 and EI215 – EI2120
Mortise standard SFS 5209
Please see page 60



ABLOY® 4190

Lock case with an automatically deadlocking latchbolt. The deadlocking is controlled by a snib in the forend.

Snib position:

UP = Deadlocking, latchbolt protrudes 21 mm. The lock can be opened only with a key or a thumbturn.

DOWN = Latchbolt protrudes 14 mm. The lock can also be opened with the lever handles.

4190X is the microswitch version of the lock. The switch changes its status when the latchbolt leaves its day locking position, i.e. the bolt protrudes 15 mm or more.

Following striker plates are recommended to be used with a microswitch locking box: 4692, 4693.

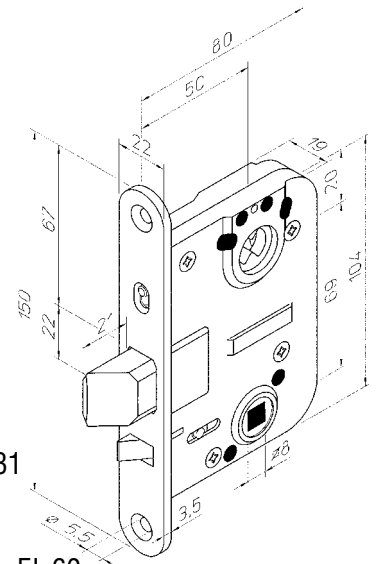
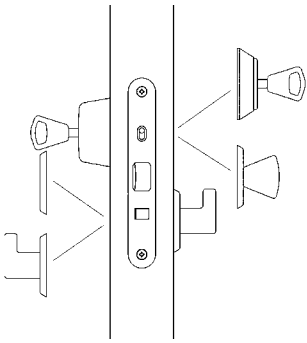
Striker plate 4690, 4691, LP711, LP714, LP721, LP731

Finish Fe/ZL

Cylinder ABLOY® C, N, T, U

Fire resistance: Wooden doors EI₁₅ – EI₆₀ and EI₂₅ – EI₆₀,
Metal doors EI₁₅ – EI₁₂₀ and EI₂₅ – EI₁₂₀

Mortise standard SFS 5209. Please see page 60



ABLOY® 4190T

Lock case with an automatically deadlocking latchbolt. The deadlocking function is controlled with a rotating snib, operated by a square key, in the forend.

Snib function:

TURN CLOCKWISE = Deadlocking, latchbolt protrudes 21 mm.

The lock can be opened only with a key or a thumbturn.

TURN ANTICLOCKWISE = Latchbolt protrudes 14 mm.

The lock can also be opened with the lever handles.

4190TX is the microswitch version of the lock. The switch changes its status when the latchbolt leaves its day locking position, i.e. the bolt protrudes 15 mm or more.

Following striker plates are recommended to be used with a microswitch locking box: 4692, 4693.

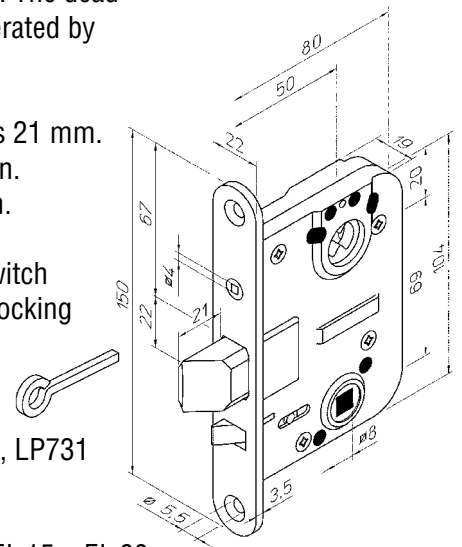
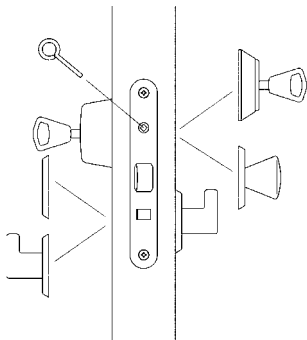
Striker plate 4690, 4691, LP711, LP714, LP721, LP731

Finish Fe/ZL

Cylinder ABLOY® C, N, T, U

Fire resistance: Wooden doors EI₁₅ – EI₆₀ and EI₂₅ – EI₆₀,
Metal doors EI₁₅ – EI₁₂₀ and EI₂₅ – EI₁₂₀

Mortise standard SFS 5209. Please see page 60



ABLOY® LC204

Lock case with an automatically deadlocking latchbolt. The deadlocking is controlled by a snib in the forend.

Snib position:

UP = Deadlocking, latchbolt protrudes 20 mm. The lock can be opened only with a key or a thumbturn.

DOWN = Latchbolt protrudes 14 mm. The lock can also be opened with the lever handles.

LC204X is the microswitch version of the lock. The switch changes its status when the latchbolt leaves its day locking position, i.e. the bolt protrudes 15 mm or more.

Following striker plates are recommended to be used with a microswitch locking box: 4692, 4693.

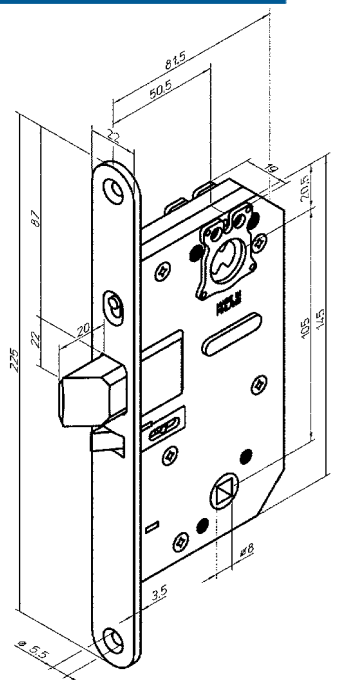
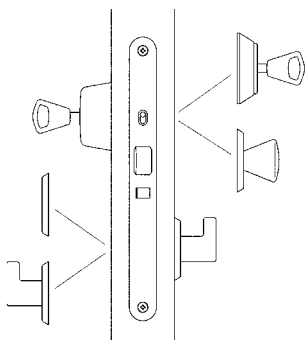
Striker plate 4690, 4691, LP711, LP714, LP721, LP731

Finish Fe/ZL

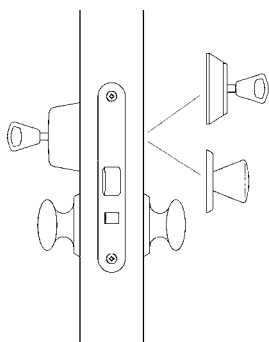
Cylinder ABLOY® C, N, T, U

Fire resistance Yes

Mortise standard SFS 5208, SS 81 73 83
Please see page 60



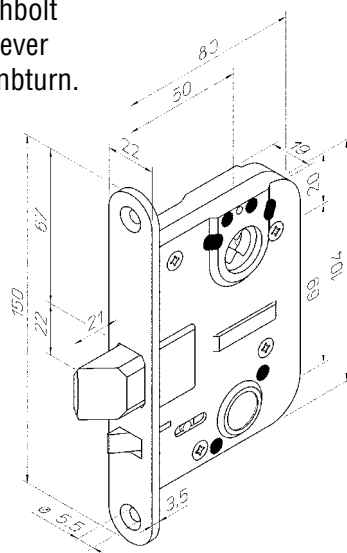
ABLOY® 4194



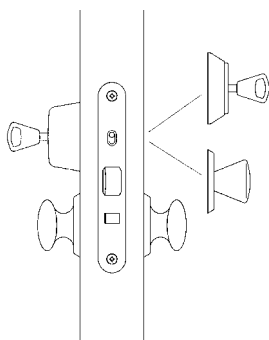
Lock case with an automatically deadlocking latchbolt. The latchbolt protrudes to 21 mm when the door is closed. The lock has no lever handle operation. The bolt is opened with either a key or a thumbturn. 4194X is the microswitch version of the lock. The switch changes its status when the bolt has protruded to 15 mm or more.

Following striker plates are recommended to be used with a microswitch locking box: 4692, 4693.

- Striker plate 4690, 4691, LP711, LP714, LP721, LP731
- Finish Fe/ZL
- Cylinder ABLOY® C, N, T, U
- Fire resistance: Wooden doors EI115 – EI160 and EI215 – EI260, Metal doors EI115 – EI120 and EI215 – EI2120
- Mortise standard SFS 5209. Please see page 60



ABLOY® 4195



Lock case with an automatically deadlocking latchbolt. The latchbolt can be retained inside the lock case. Deadlocking is controlled by a snib in the front plate. The lock has no lever handle operation.

Snib position:

UP = Deadlocking, latchbolt protrudes 21 mm. The lock can be opened only with a key or a thumbturn.

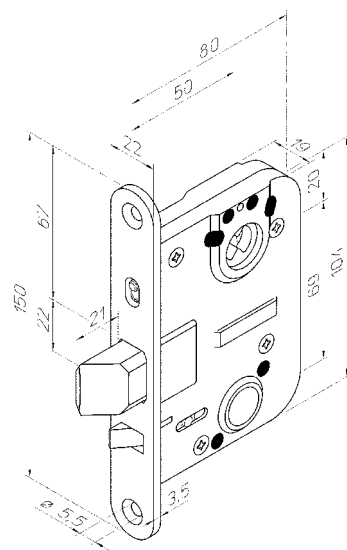
DOWN = Latchbolt is retained inside the lock case.

The door is kept closed by using a door closer.

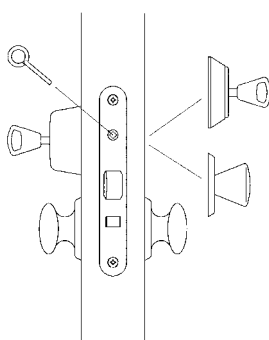
4195X is the microswitch version of the lock. The switch changes its status when the latchbolt leaves its day locking position, i.e. the bolt protrudes 15 mm or more.

Following striker plates are recommended to be used with a microswitch locking box: 4692, 4693.

- Striker plate 4690, 4691, LP711, LP714, LP721, LP731
- Finish Fe/ZL
- Cylinder ABLOY® C, N, T, U
- Fire resistance –
- Mortise standard SFS 5209 Please see page 60



ABLOY® 4195T



Lock case with an automatically deadlocking latchbolt. The latchbolt can be retained inside the lock case and deadlocking is controlled with a rotating snib, operated by a square key, in the forend. The lock has no lever handle function.

Snib function:

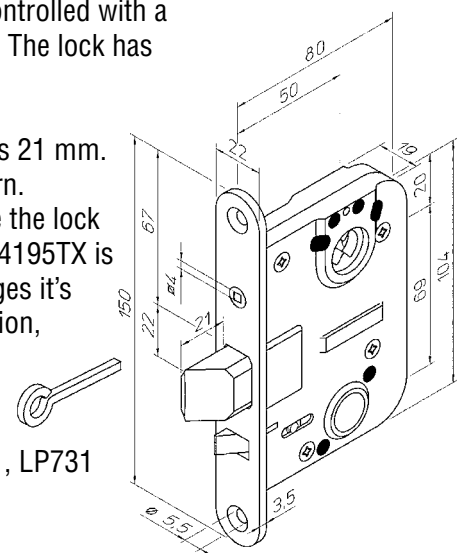
TURN CLOCKWISE = Deadlocking, latchbolt protrudes 21 mm.

The lock can be opened only with a key or a thumbturn.

TURN ANTICLOCKWISE = Latchbolt is retained inside the lock case. The door is kept closed by using a door closer. 4195TX is the microswitch version of the lock. The switch changes its status when the latchbolt leaves its day locking position, i.e. the bolt protrudes 15 mm or more.

Following striker plates are recommended to be used with a microswitch locking box: 4692, 4693.

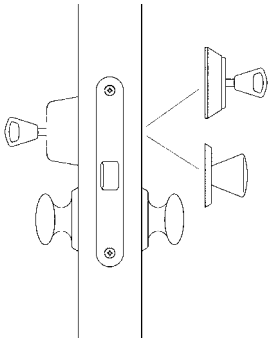
- Striker plate 4690, 4691, LP711, LP714, LP721, LP731
- Finish Fe/ZL
- Cylinder ABLOY® C, N, T, U
- Fire resistance –
- Mortise standard SFS 5209. Please see page 60



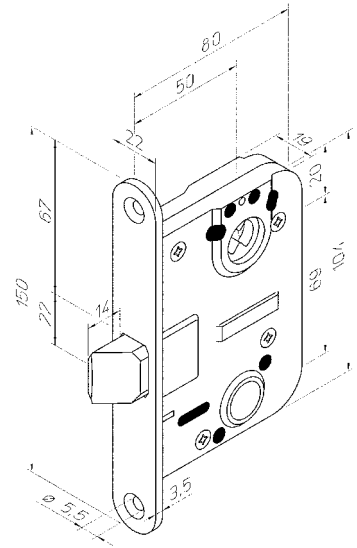
ABLOY® 4197

Lock case with a cylinder function for fire doors.
The lock is opened by a key or a thumbturn.
The non-deadlocking latchbolt protrudes 14 mm.
The lock can also be used with electromechanical striker plates.

Following striker plates are recommended to be used with a microswitch locking box: 4692, 4693



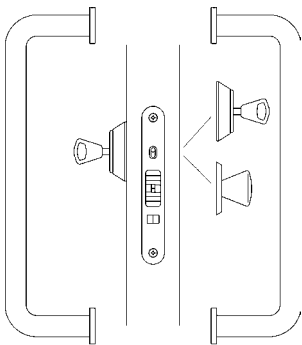
Striker plate 4690, 4691, LP711, LP714, LP721, LP731
Finish Fe/ZL
Cylinder ABLOY® C, N, T, U
Fire resistance: Wooden doors EI115 – EI160 and EI215 – EI260, Metal doors EI115 – EI120 and EI215 – EI2120
Mortise standard SFS 5209. Please see page 60



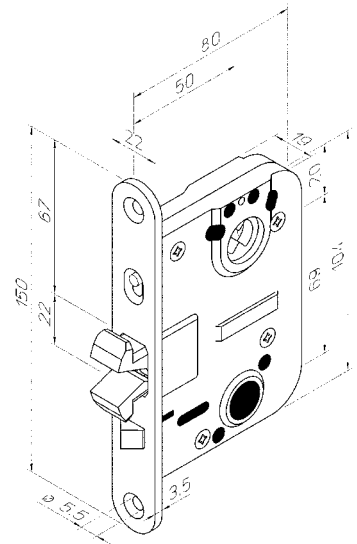
ABLOY® 4960

Lock case with an automatically deadlocking hookbolt for folding and sliding doors. The deadlocking is controlled by a snib in the forend.

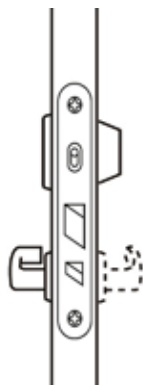
Snib position:
UP = Deadlocking, when the door is closed.
The lock can be opened with a key or a thumbturn.
DOWN = Hookbolt is retained inside the lock case.



Striker plate 4662
Finish Fe/ZL
Cylinder ABLOY® C, N, T, U
Fire resistance –
Mortise standard SFS 5209
Please see page 60



ABLOY® E4190



Exit lock cases with automatic deadlocking latchbolt for wooden doors with one blade. The door is opened from outside with a lever handle. The lock case fulfils the requirements of the European standard for exit products SFS-EN179 and SFS-EN1125 and the requirements of the lock case standard SFS-EN12209.

The lock is always opened from the inside by a lever handle, push pad or panic bar.

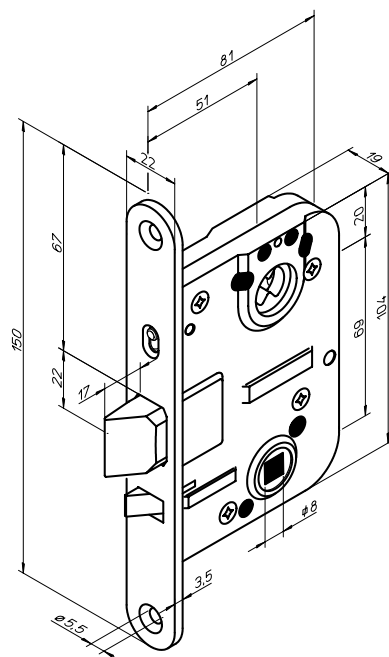
Deadlocking is controlled by a snib in the front plate. Using of the snib is normally blocked. The snib is released by turning the key.

Snib position:

UP = Deadlocking, latchbolt protrudes 17 mm

The lock can be opened from outside by key only and from inside by a lever handle, push pad or panic bar.

DOWN = Latchbolt protrudes 14 mm. The lock can be opened from outside by lever handle also.



Striker plate LP711, LP714, LP721, LP731, 4690, 4691

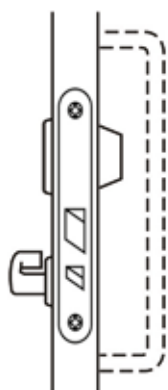
Finish Fe/ZL

Cylinder ABLOY® C, N, T, U

Fire resistance: Wooden doors EI₁₅ – EI₆₀ and EI₂₁₅ – EI₂₆₀,
Metal doors EI₁₅ – EI₁₂₀ and EI₂₁₅ – EI₂₁₂₀

Mortise standard SFS 5209

ABLOY® E4194



Exit lock case with automatic deadlocking latchbolt for wooden doors with one blade. The door is opened from outside with a door pull.

The lock case fulfils the requirements of the European standard for exit products SFS-EN179 and SFS-EN1125 and the requirements of the lock case standard SFS-EN12209.

The lock is always opened from the inside by a lever handle, push pad or panic bar.

The lock is deadlocked always when the door is closed. Latchbolt protrudes 17 mm.

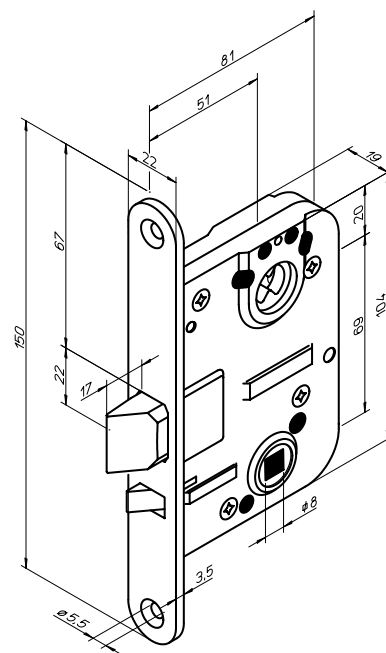
Striker plate LP711, LP714, LP721, LP731, 4690, 4691

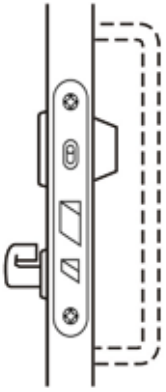
Finish Fe/ZL

Cylinder ABLOY® C, N, T, U

Fire resistance: Wooden doors EI₁₅ – EI₆₀ and EI₂₁₅ – EI₂₆₀,
Metal doors EI₁₅ – EI₁₂₀ and EI₂₁₅ – EI₂₁₂₀

Mortise standard SFS 5209





Exit lock case with automatic deadlocking latchbolt for wooden doors with one blade. The door is opened from outside with a door pull.

The lock case fulfils the requirements of the European standard for exit products SFS-EN179 and SFS-EN1125 and the requirements of the lock case standard SFS-EN12209.

The lock is always opened from the inside by a lever handle, push pad or panic bar.

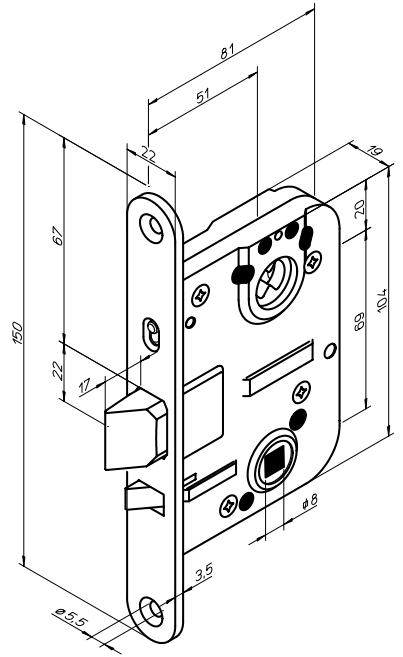
Deadlocking is controlled by a snib in the front plate. Using of the snib is normally blocked. The snib is released by turning the key.

Snib position:

UP = Deadlocking, latchbolt protrudes 17 mm

The lock can be opened from outside by key only and from inside by a lever handle, push pad or panic bar.

DOWN = Latchbolt is retained inside the lock case.



Striker plate LP711, LP714, LP721, LP731, 4690, 4691

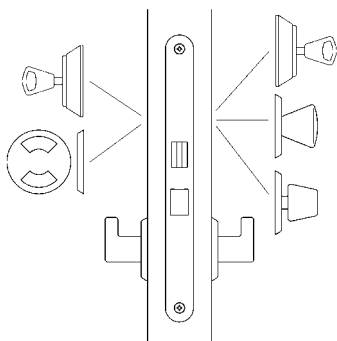
Finish Fe/ZL

Cylinder ABLOY® C, N, T, U

Fire resistance –

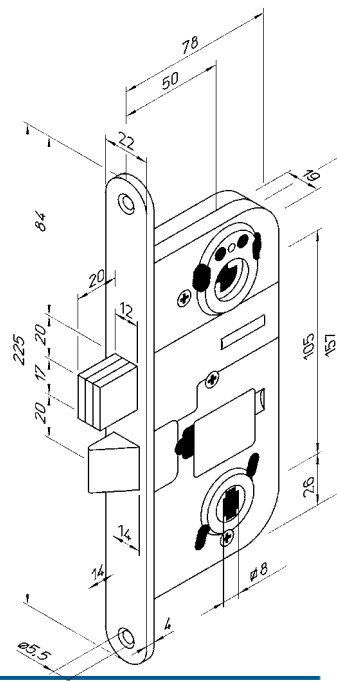
Mortise standard SFS 5209

ABLOY® LC200

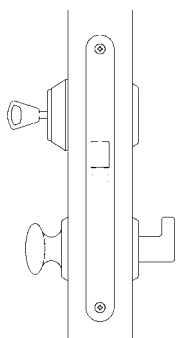


Lock case with a deadbolt protruding 20 mm and a latchbolt. The deadbolt is locked and retracted by turning the key or thumbturn 90°. A further 5° turn will retract the latchbolt as well. The latchbolt is retracted also by the lever handles. LC200X is the microswitch version of the lock. The switch changes it's status when the bolt has protruded to 20 mm.

Striker plate LP712, LP717, LP722, LP732, 0034, 0079
 Finish Fe/ZL
 Cylinder ABLOY® N, T, U, SCAND
 Fire resistance Yes
 Mortise standard SFS 5208
 SS 81 73 83
 Please see page 60

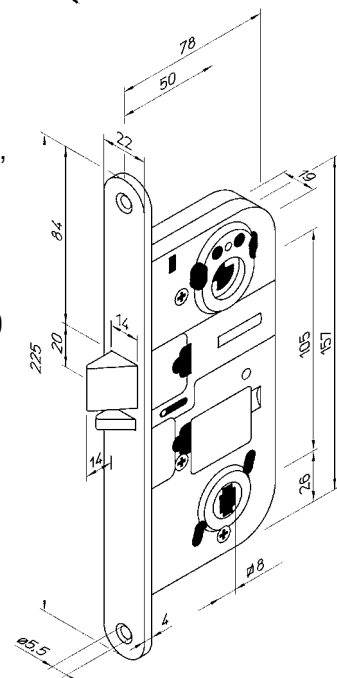


ABLOY® LC202

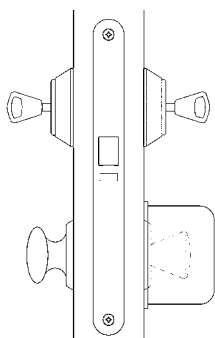


Lock case with an automatically deadlocking latchbolt and heavy duty springing. Latchbolt is retracted from the outside by turning the key 90°, or from the inside with the lever handle. LC202X is the microswitch version of the lock. The switch changes it's status when the latchbolt has deadlocked.

Striker plate LP712, LP717, LP722, LP732, 0034, 0079
 Finish Fe/ZL
 Cylinder ABLOY® N, T, U, SCAND
 Fire resistance Yes
 Mortise standard SFS 5208
 SS 81 73 83
 Please see page 60

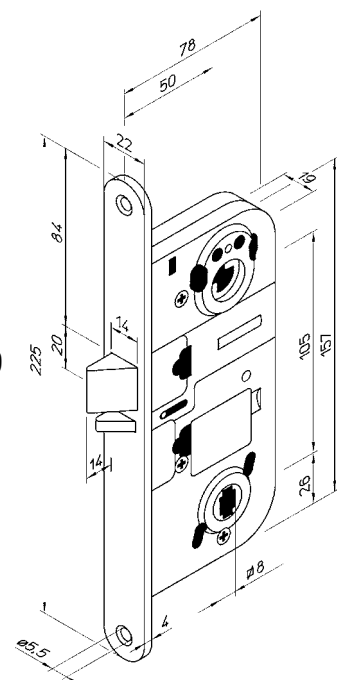


ABLOY® LC203

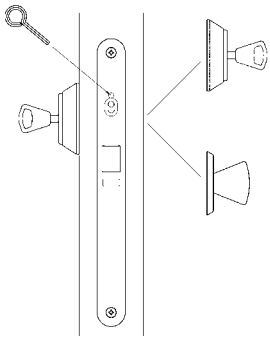


Lock case with an automatically deadlocking latchbolt for emergency exits. Latchbolt is retracted from the outside by turning the key 90°, or from the inside by the key or the emergency exit thumbturn. LC203X is the microswitch version of the lock. The switch changes it's status when the latchbolt has deadlocked.

Striker plate LP712, LP717, LP722, LP732, 0034, 0079
 Finish Fe/ZL
 Cylinder ABLOY® N, T, U, SCAND
 Fire resistance Yes
 Mortise standard SFS 5208
 SS 81 73 83
 Please see page 60



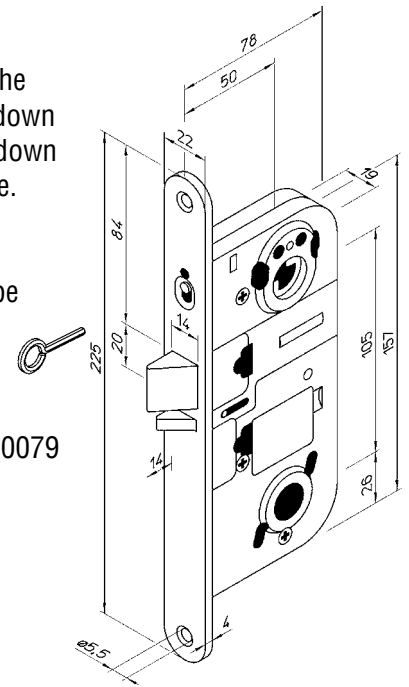
ABLOY® LC205



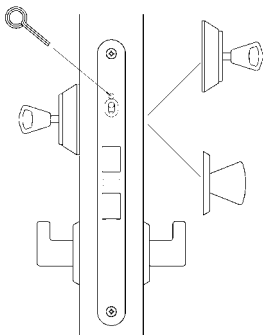
Lock case with an automatically deadlocking latchbolt. The latchbolt can be retained inside the lock case by sliding down the snib in the forend. The snib can be blocked in up or down position with a special key to prevent unauthorized usage. Latchbolt is retracted from either side by turning the key or thumbturn 90°.

The lock has no lever handle function. The door should be equipped with a door closer and door pull. LC205X is the microswitch version of the lock. The switch changes it's status when the latchbolt has deadlocked.

Striker plate LP712, LP717, LP722, LP732, 0034, 0079
 Finish Fe/ZL
 Cylinder ABLOY® N, T, U, SCAND
 Fire resistance –
 Mortise standard SFS 5208
 SS 81 73 83
 Please see page 60



ABLOY® LC206

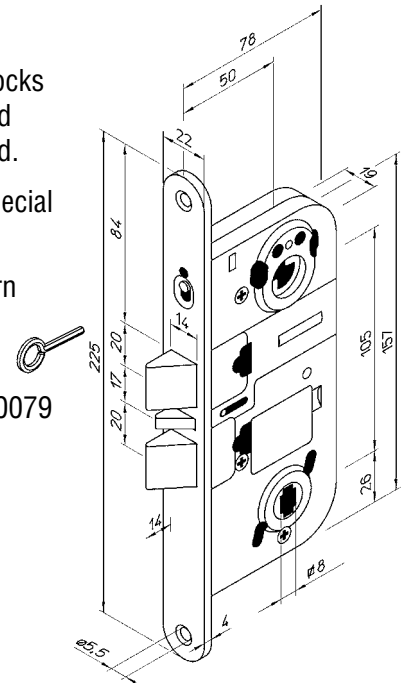


Lock case with two latchbolts. The upper latchbolt deadlocks automatically when the door is closed and can be retained inside the lock case by sliding down the snib in the forend.

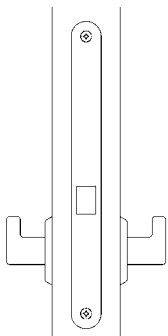
The snib can be blocked in up or down position with a special key to prevent unauthorized usage.

The latchbolts are opened by turning the key or thumbturn 90°. The lower latchbolt can also be opened by the lever handles.

Striker plate LP712, LP717, LP722, LP732, 0034, 0079
 Finish Fe/ZL
 Cylinder ABLOY® N, T, U, SCAND
 Fire resistance Yes
 Mortise standard SFS 5208
 SS 81 73 83
 Please see page 60

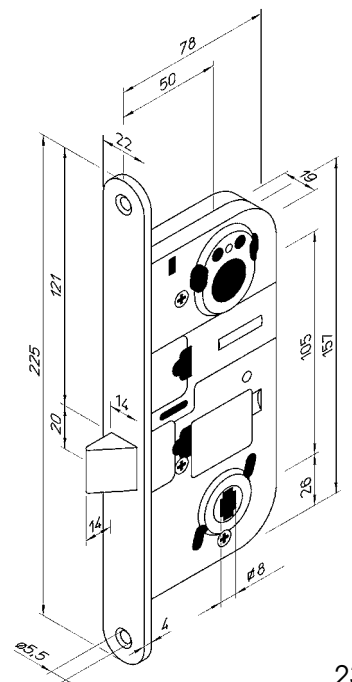


ABLOY® LC208

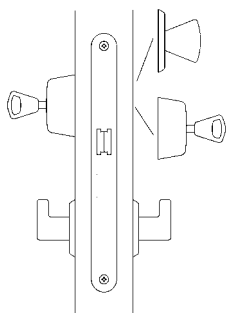


Mortise latch with lever handle function only.

Striker plate LP712, LP717, LP722, LP732, 0034, 0079
 Finish Fe/ZL
 Fire resistance Yes
 Mortise standard SFS 5208
 SS 81 73 83
 Please see page 60



ABLOY® LC209



Security mortise lock (security grade 4 according to EN 12209) with a hardened bolt. The deadbolt has 20 mm bolt throw. The deadbolt is locked and retracted by turning the key 360° or a special thumbturn 180°.

The key can only be removed when the deadbolt is fully locked or retracted.

The latchbolt is retracted by the lever handles only.

LC209X is the microswitch version of the lock. The switch changes it's status when deadbolt protrudes moves to 20 mm.

Striker plate LP710, LP712, LP717, LP722, LP732, 0079

Finish Fe/ZL

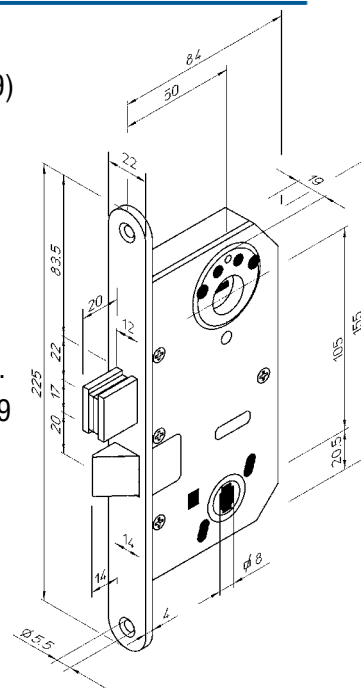
Cylinder ABLOY® C, N, T, U

Fire resistance Yes

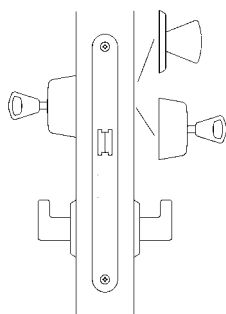
Mortise standard SFS 5208

SS 81 73 83

Please see page 60



ABLOY® LC209A



Security mortise lock (security grade 5 according to EN 12209) with a hardened bolt and drilling protection. The deadbolt has 20 mm bolt throw. The deadbolt is locked and retracted by turning the key 360° or a special thumbturn 180°. The key can only be removed when the deadbolt is fully locked or retracted.

The latchbolt is retracted by the lever handles only.

LC209AX is the microswitch version of the lock. The switch changes it's status when deadbolt moves to 20 mm.

Striker plate LP710, LP712, LP717, LP722, LP732, 0079

Finish Fe/ZL

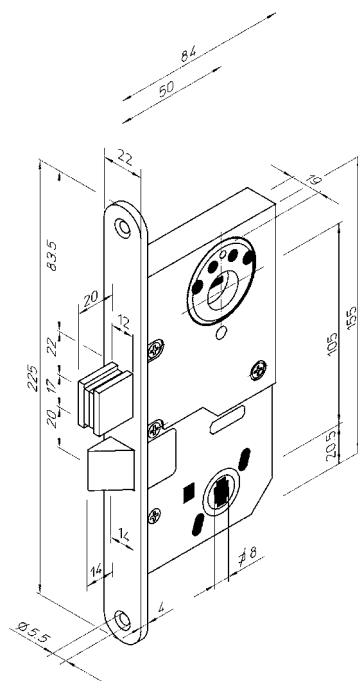
Cylinder ABLOY® C, N, T, U

Fire resistance Yes

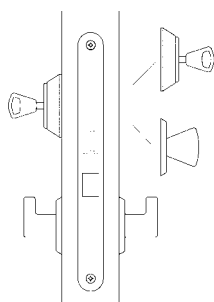
Mortise standard SFS 5208

SS 81 73 83

Please see page 60



ABLOY® LC210



Security mortise lock (security grade 5 according to EN 12209) with a hardened bolt and drilling protection. The deadbolt has 20 mm bolt throw. The deadbolt is locked and retracted by turning the key 360° or thumbturn 90°.

The key can only be removed when the deadbolt is fully locked or retracted.

The latchbolt is retracted by the lever handles only.

LC210X is the microswitch version of the lock. The switch changes it's status when deadbolt protrudes moves to 20 mm.

Striker plate LP710, LP712, LP717, LP722, LP732, 0079

Finish Fe/ZL

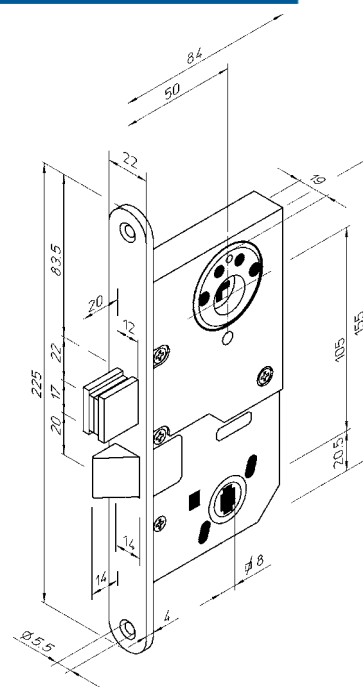
Cylinder ABLOY® C, N, T, U

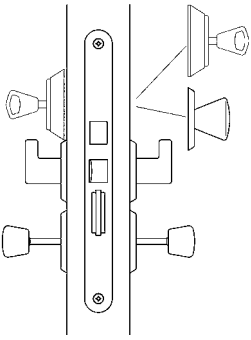
Fire resistance Yes

Mortise standard SFS 5208

SS 81 73 83

Please see page 60

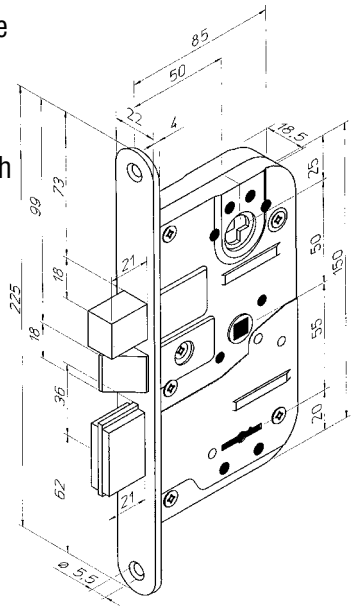
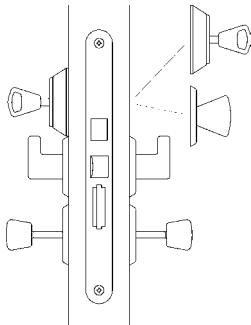


ABLOY® 451S

Security lock (grade 5 according to EN 12209) featuring two deadbolts and drilling protection. One is controlled by a double cylinder or a cylinder and a thumbturn combination. The other has an 8 lever mechanism giving over 100 000 different key combinations. The upper cylinder deadbolt protrudes 20 mm. The lower hardened deadbolt has also a 20 mm bolt throw with an intermediate locking position. The key can only be withdrawn when the deadbolt is fully locked or retracted. Centre latch enables the opening and closing of door by using lever handles.

451SX is the microswitch version of the lock. The switch changes its status during the last ¼ turn of the key for lever mechanism to the locking direction.

Striker plate	LP710, 0079
Finish	Fe/ZL, Fe/JME
Cylinder	ABLOY® N, T, U, SCAND
Fire resistance	Yes
Mortise standard	Please see page 60

**ABLOY® 451SMP**

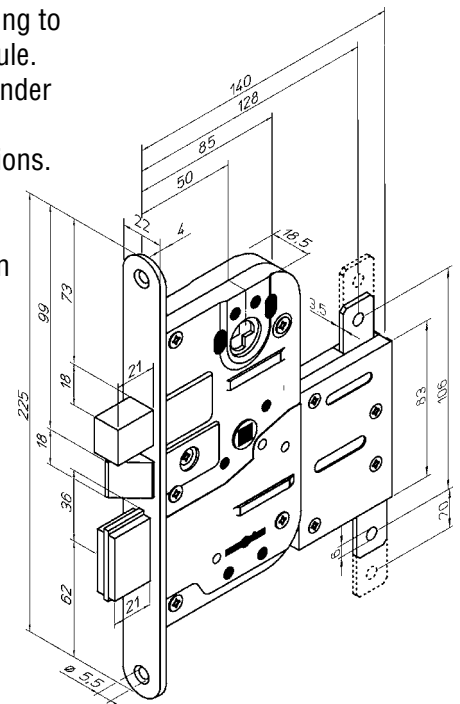
Security lock (comparable with security grade 4 according to EN 12209) featuring two deadbolts and multipoint module. One deadbolt is controlled by a double cylinder or a cylinder and a thumbturn combination. The other has an 8 lever mechanism giving over 100 000 different key combinations. The upper cylinder deadbolt protrudes 20 mm. The lower hardened deadbolt has also a 20 mm bolt throw with an intermediate locking position. The key can only be withdrawn when the deadbolt is fully locked or retracted.

Centre latch enables the opening and closing of door by using lever handles.

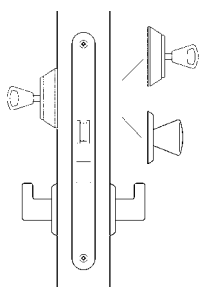
Multipoint module provides several multipoint locking applications, please see page 67.

451SMPX is the microswitch version of the lock. The switch changes its status during the last ¼ turn of the key for lever mechanism to the locking direction.

Striker plate	LP710, 0079
Finish	Fe/ZL, Fe/JME
Cylinder	ABLOY® N, T, U, SCAND
Fire resistance	Yes
Mortise standard	Please see page 61



ABLOY® 4865



Security mortise lock (security grade 5 according to EN 12209) with a hardened bolt. The deadbolt has a 20 mm bolt throw. The deadbolt is locked and retracted by turning the key 360° or thumbturn 90°. The key can only be removed when the deadbolt is fully locked or retracted. The latchbolt is retracted by the lever handles only. 4865X is the microswitch version of the lock. The switch changes its status when deadbolt moves to 20 mm.

Striker plate LP710, LP712, LP717, LP722, LP732, 0079

Finish Fe/ZL

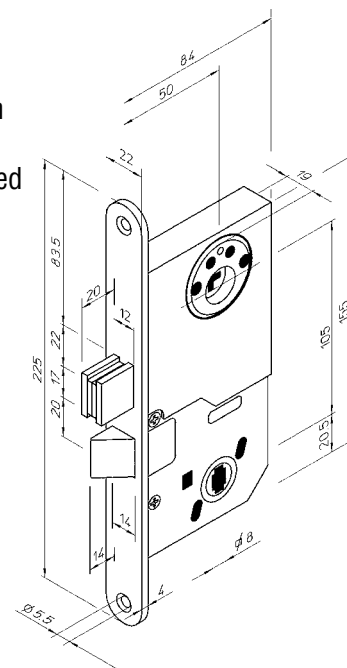
Cylinder SCAND

Fire resistance Yes

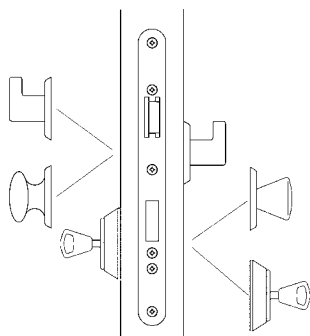
Mortise standard SFS 5208

SS 81 73 83

Please see page 60



ABLOY® 4272



Security lock (security grade 3 according to EN 12209). The hardened hookbolt with intermediate locking positions is locked and retracted by turning the key 360°. The deadbolt protrudes 23 mm. Lock handing can easily be changed by pushing in the latchbolt and turning it 180°. The lock can be used with DIN standard fittings. The lock is applicable also for fire doors. Drilling protection 404252-B, is available as an optional accessory. 4272X is the microswitch version of the lock. The switch changes the status during the last key throw to the locking direction.

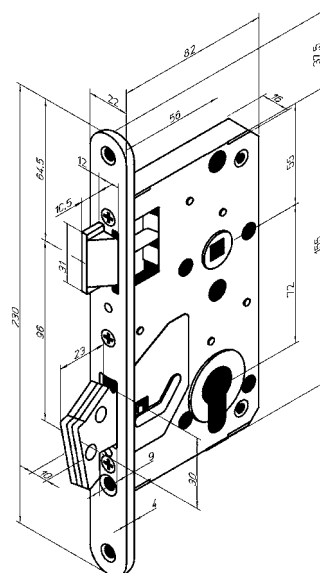
Striker plate LP760 R/L

Finish Fe/ZL

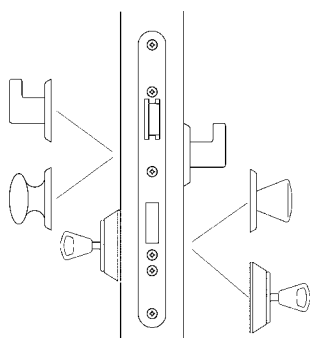
Cylinder Euro DIN

Fire resistance Yes

Mortise standard Please see page 61



ABLOY® 4272MP



Security lock (security grade 3 according to EN 12209) combined with multipoint module. The hookbolt with intermediate locking position is locked and retracted by turning the key 360°. The deadbolt protrudes 23 mm. Lock handing can easily be changed by pushing in the latchbolt and turning it 180°. Multipoint module provides several multipoint locking applications, see page 67. The lock can be used with DIN standard fittings. The lock is applicable also for fire doors. Drilling protection 404252-B, is available as an optional accessory. 4272MPX is the microswitch version of the lock. The switch changes the status during the last key throw to the locking direction.

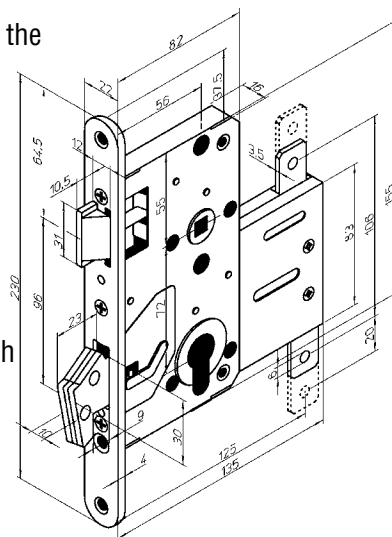
Striker plate LP760 R/L

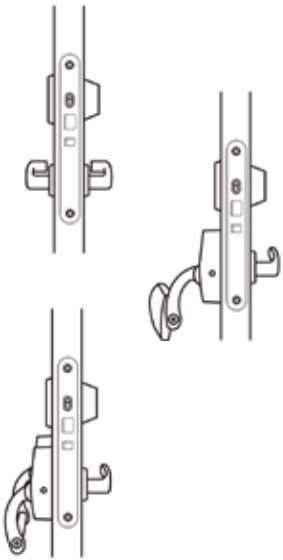
Finish Fe/ZL

Cylinder Euro DIN

Fire resistance Yes

Mortise standard Please see page 61



ABLOY® LE180

Exit lock cases with automatic deadlocking latchbolt for wooden doors with one blade. The door is opened from outside with a lever handle. The lock case fulfils the requirements of the European standard for exit products SFS-EN179 and SFS-EN1125 and the requirements of the lock case standard SFS-EN12209. The lock is always opened from the inside by a lever handle, push pad or panic bar.

Deadlocking is controlled by a snib in the front plate. Using of the snib is normally blocked. The snib is released by turning the key.

Snib position:

UP = Deadlocking, latchbolt protrudes 17 mm

The lock can be opened from outside by key only and from inside by a lever handle, push pad or panic bar.

DOWN = Latchbolt protrudes 14 mm. The lock can be opened from outside by lever handle also.

LE180X is the microswitch version of the lock. The switch changes the status when latchbolt is protruded from 14 mm to 17 mm.

Following striker plates are recommended to be used with microswitch version: 4692, 4693.

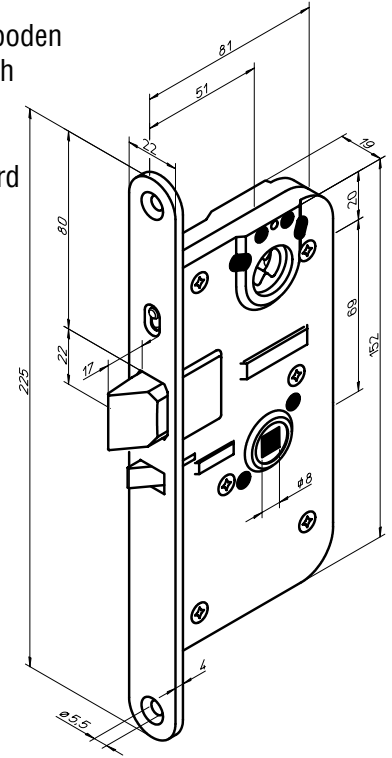
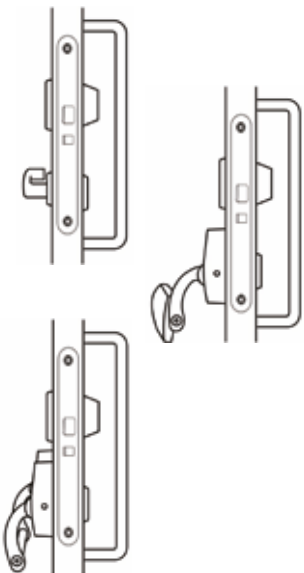
Striker plate LP711, LP714, LP721, LP731

Finish Fe/ZL

Cylinder ABLOY® C, N, T, U

Fire resistance: Wooden doors EI₁₅ - EI₃₀ and EI₂₁₅ – EI₂₃₀,
Metal doors EI₁₅ - EI₁₂₀ and EI₂₁₅ – EI₂₁₂₀

Mortise standard OneFit mortise

**ABLOY® LE184**

Exit lock case with automatic deadlocking latchbolt for wooden doors with one blade. The door is opened from outside with a door pull.

The lock case fulfils the requirements of the European standard for exit products SFS-EN179 and SFS-EN1125 and the requirements of the lock case standard SFS-EN12209. The lock is always opened from the inside by a lever handle, push pad or panic bar.

The lock is deadlocked always when the door is closed.

Latchbolt protrudes 17 mm.

LE184X is the microswitch version of the lock. The switch changes the status when latchbolt is protruded from 14 mm to 17 mm.

Following striker plates are recommended to be used with microswitch version: 4692, 4693.

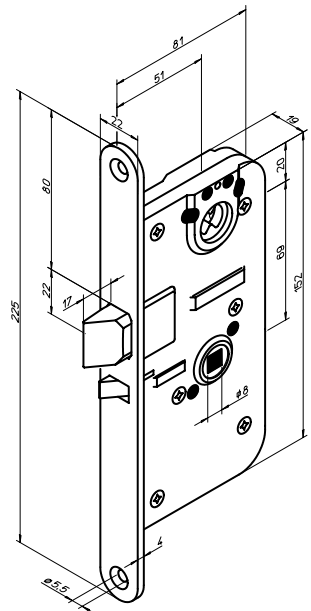
Striker plate LP711, LP714, LP721, LP731

Finish Fe/ZL

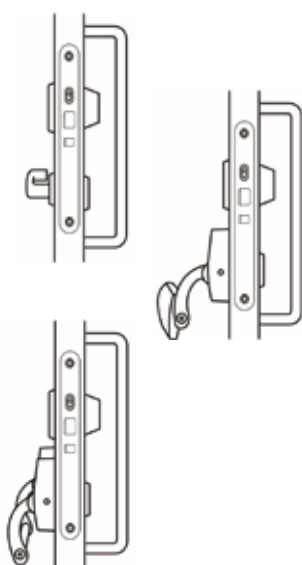
Cylinder ABLOY® C, N, T, U

Fire resistance: Wooden doors EI₁₅ - EI₃₀ and EI₂₁₅ – EI₂₃₀,
Metal doors EI₁₅ - EI₁₂₀ and EI₂₁₅ – EI₂₁₂₀

Mortise standard OneFit mortise



ABLOY® LE185



Exit lock case with automatic deadlocking latchbolt for wooden doors with one blade. The door is opened from outside with a door pull. The lock case fulfils the requirements of the European standard for exit products SFS-EN179 and SFS-EN1125 and the requirements of the lock case standard SFS-EN12209. The lock is always opened from the inside by a lever handle, push pad or panic bar.

Deadlocking is controlled by a snib in the front plate. Using of the snib is normally blocked. The snib is released by turning the key.

Snib position:

UP = Deadlocking, latchbolt protrudes 17 mm

The lock can be opened from outside by key only and from inside by a lever handle, push pad or panic bar.

DOWN = Latchbolt is retained inside the lock case.

LE185X is the microswitch version of the lock. The switch changes the status when latchbolt is protruded from 14 mm to 17 mm.

Following striker plates are recommended to be used with microswitch version: 4692, 4693.

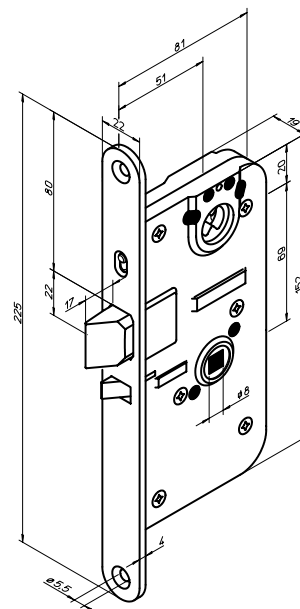
Striker plate LP711, LP714, LP721, LP731

Finish Fe/ZL

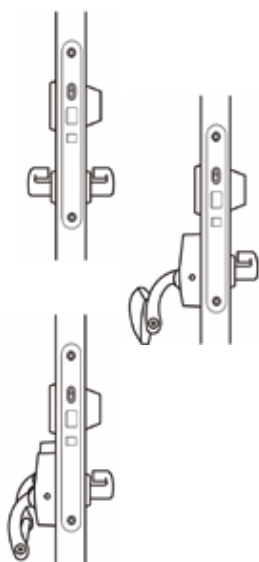
Cylinder ABLOY® C, N, T, U

Fire resistance –

Mortise standard OneFit mortise



ABLOY® LE181



Exit lock case with automatic deadlocking latchbolt for the active side of wooden doors with two blades. The door is opened from outside with a lever handle.

The lock case fulfils the requirements of the European standard for exit products SFS-EN179 and SFS-EN1125 and the requirements of the lock case standard SFS-EN12209.

The lock is always opened from the inside by a lever handle, push pad or panic bar. The latchbolt protrudes 14 mm.

Deadlocking is controlled by a snib in the front plate.

Using of the snib is normally blocked. The snib is released by turning the key.

Snib position:

UP = Deadlocking

The lock can be opened from outside by key only and from inside by a lever handle, push pad or panic bar.

DOWN = Day latching, the lock can be opened from outside by lever handle also

LE181X is the microswitch version of the lock. The switch changes the status when latchbolt is deadlocked.

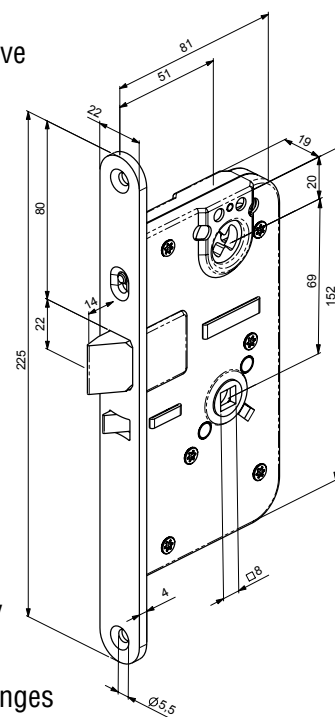
Passive lock case EXH911, EXB911, EXH915

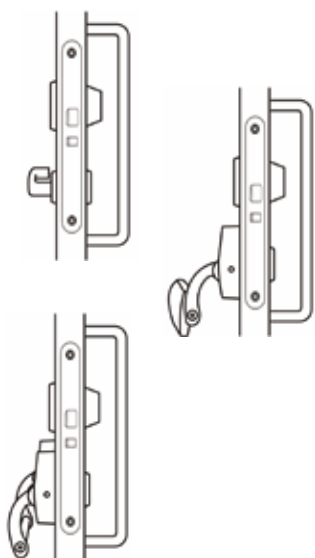
Finish Fe/ZL

Cylinder ABLOY® C, N, T, U

Fire resistance: Wooden doors EI115 - EI130 and EI215 – EI230,
Metal doors EI115 - EI120 and EI215 – EI220

Mortise standard OneFit mortise



ABLOY® LE183

Exit lock case with automatic deadlocking latchbolt for the active side of wooden doors with two blades. The door is opened from outside with a door pull.

The lock case fulfils the requirements of the European standard for exit products SFS-EN179 and SFS-EN1125 and the requirements of the lock case standard SFS-EN12209. The lock is always opened from the inside by a lever handle, push pad or panic bar. The lock is deadlocked always when the door is closed. The latchbolt protrudes 14 mm.

LE183X is the microswitch version of the lock. The switch changes the status when latchbolt is deadlocked.

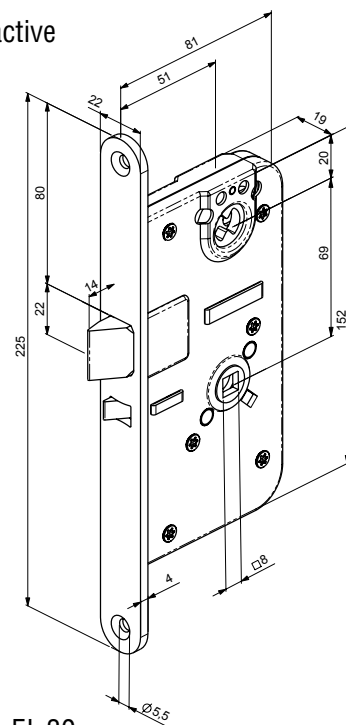
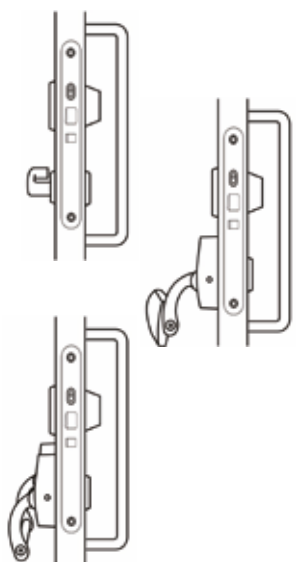
Passive lock case EXH911, EXB911, EXH915

Finish Fe/ZL

Cylinder ABLOY® C, N, T, U

Fire resistance: Wooden doors EI₁₅ - EI₁₃₀ and EI₂₁₅ - EI₂₃₀,
Metal doors EI₁₅ - EI₁₂₀ and EI₂₁₅ - EI₂₁₂₀

Mortise standard OneFit mortise

**ABLOY® LE186**

Exit lock case with automatic deadlocking latchbolt for the active side of wooden doors with two blades. The door is opened from outside with a door pull.

The lock case fulfils the requirements of the European standard for exit products SFS-EN179 and SFS-EN1125 and the requirements of the lock case standard SFS-EN12209. The lock is always opened from the inside by a lever handle, push pad or panic bar. The latchbolt protrudes 14 mm.

Deadlocking is controlled by a snib in the front plate. Using of the snib is normally blocked. The snib is released by turning the key.

Snib position:

UP = Deadlocking

The lock can be opened from outside by key only and from inside by a lever handle, push pad or panic bar.

DOWN = Latchbolt is retained inside the lock case.

LE186X is the microswitch version of the lock. The switch changes the status when latchbolt is deadlocked.

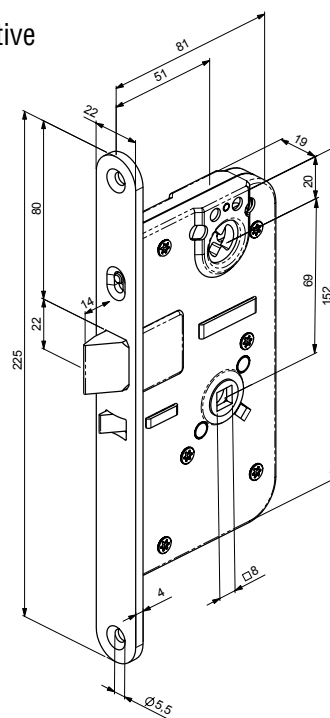
Passive lock case EXH911, EXB911, EXH915

Finish Fe/ZL

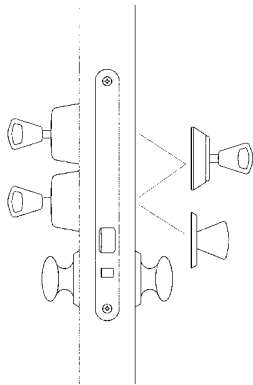
Cylinder ABLOY® C, N, T, U

Fire resistance -

Mortise standard OneFit mortise



ABLOY® LC120



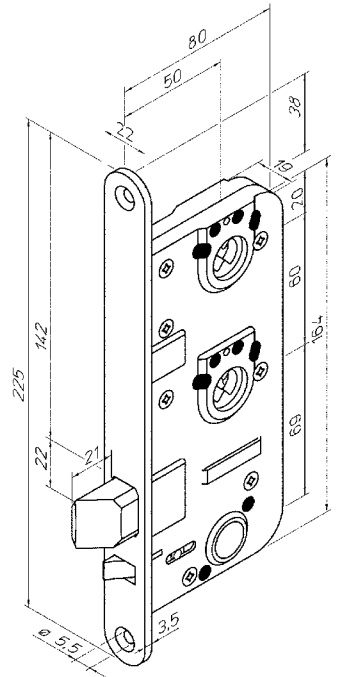
Double cylinder lock case with an automatically deadlocking latchbolt. The latchbolt protrudes 21 mm. The lock is opened with a key or a thumbturn.

The lock can be used in doors, which should be deadlocked always when they are closed.

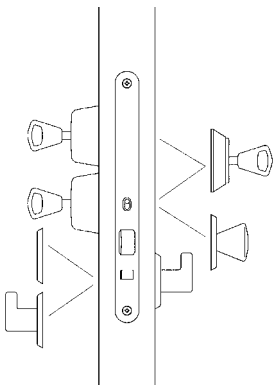
LC120X is the microswitch version of the lock. The switch changes its status when the latchbolt protrudes 15 mm or more.

Striker plates to be used with a microswitch locking box: 4692, 4693.

Striker plate	4690, 4691, LP711, LP714, LP721, LP731
Finish	Fe/ZL
Cylinder	ABLOY® C, N, T, U
Fire resistance	Yes
Mortise standard	Please see page 62



ABLOY® LC121



Double cylinder lock case with an automatically deadlocking latchbolt. The deadlocking is controlled by a snib in the front plate.

Snib position:

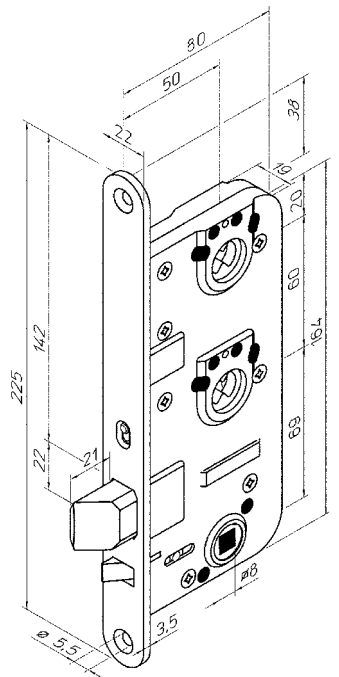
UP = Deadlocking, latchbolt protrudes 21 mm. The lock can be opened only with a key or a thumbturn.

DOWN = Latchbolt protrudes 14 mm.

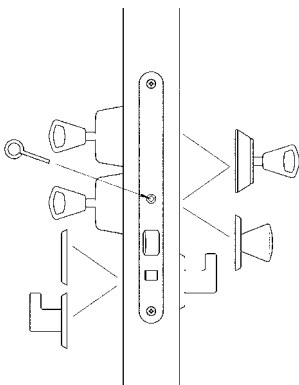
The lock can be opened also with lever handles.

LC121X is the microswitch version of the lock. The switch changes its status when the latchbolt leaves its day locking position, i.e. the bolt protrudes 15 mm or more. Striker plates to be used with a microswitch locking box: 4692, 4693.

Striker plate	4690, 4691, LP711, LP714, LP721, LP731
Finish	Fe/ZL
Cylinder	ABLOY® C, N, T, U
Fire resistance	Yes
Mortise standard	Please see page 62



ABLOY® LC121T



Double cylinder lock case with an automatically deadlocking latchbolt. The deadlocking function is controlled with a rotating snib, operated by a square key, in the forend.

Snib function:

TURN CLOCKWISE = Deadlocking, latchbolt protrudes 21 mm.

The lock can be opened only with a key or thumbturn.

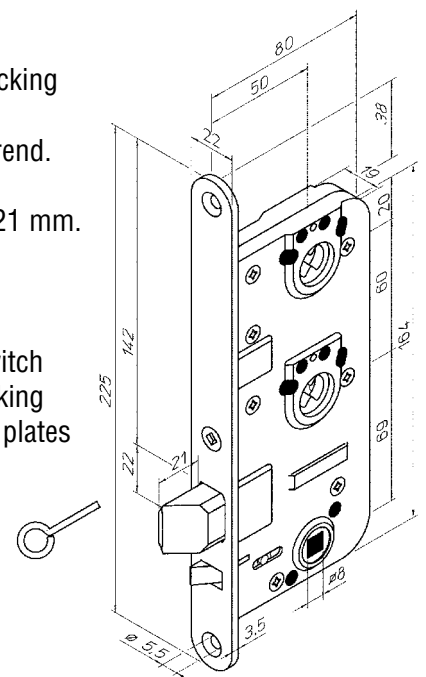
TURN ANTICLOCKWISE = Latchbolt protrudes 14 mm.

The lock can be opened with a lever handle also.

LC121TX is the microswitch version of the lock. The switch changes its status when the latchbolt leaves its day locking position, i.e. the bolt protrudes 15 mm or more. Striker plates to be used with a microswitch locking box: 4692, 4693.

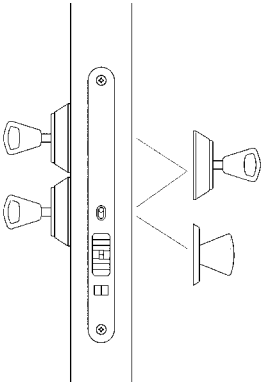
Striker plate	4690, 4691, LP711, LP714, LP721, LP731
---------------	--

Finish	Fe/ZL
Cylinder	ABLOY® C, N, T, U
Fire resistance	Yes
Mortise standard	Please see page 62



ABLOY® LC122

Double cylinder lock case with an automatically deadlocking hookbolt for folding and sliding doors. The deadlocking is controlled by the snib in the forend.

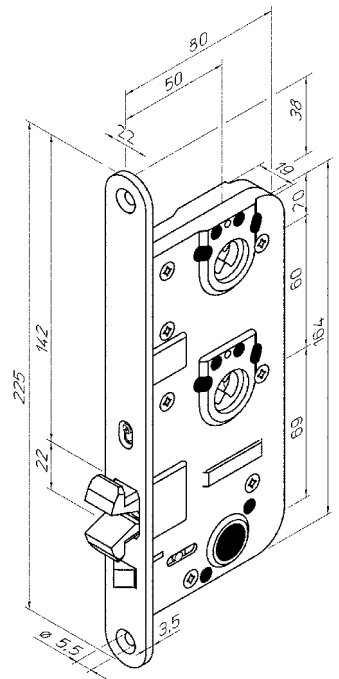


Snib position:

UP = Deadlocking, when the door is closed. The lock can be opened with a key or thumbturn.

DOWN = Hookbolt is retained in the lock case.

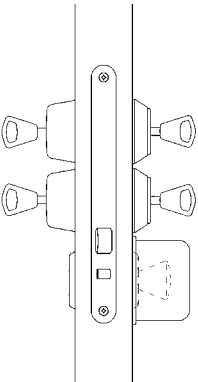
Striker plate	4662
Finish	Fe/ZL
Cylinder	ABLOY® C, N, T, U
Fire resistance	–
Mortise standard	Please see page 62



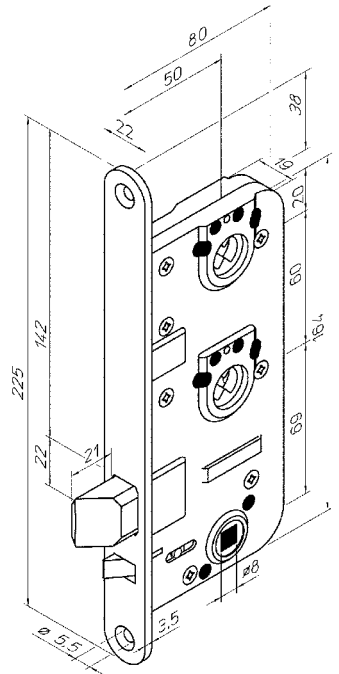
ABLOY® LC123

Double cylinder lock case with an automatically deadlocking latchbolt for emergency exit doors. Latchbolt protrudes 21 mm. The lock case has a double cylinder and an exit thumbturn. The lock can be opened with a key or an exit thumbturn. LC123X is the microswitch version of the lock. The switch changes it's status when the latchbolt protrudes 15 mm or more.

Striker plates to be used with a microswitch locking box: 4692, 4693.



Striker plate	4690, 4691, LP711, LP714, LP721, PL731
Finish	Fe/ZL
Cylinder	ABLOY® C, N, T, U
Fire resistance	Yes
Mortise standard	Please see page 62



ABLOY® LC125

Double cylinder lock case with an automatically deadlocking latchbolt. The latchbolt can be retained inside the lock case. The lock has no lever handle function.

The deadlocking is controlled by a snib in the forend.

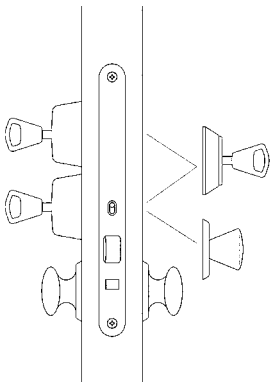
Snib position:

UP = Deadlocking, latchbolt protrudes 21 mm. The lock can be opened with a key or thumbturn.

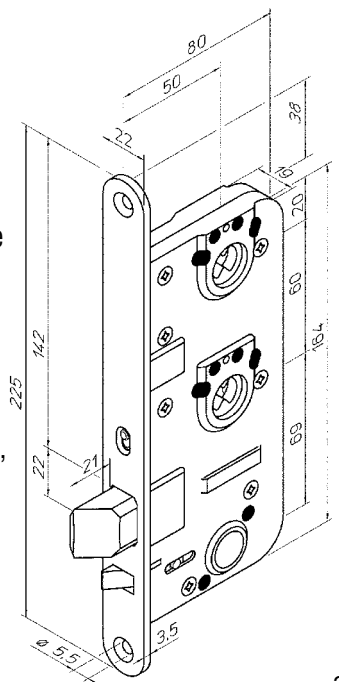
DOWN = Latchbolt is retained inside the lock case.

LC125X is the microswitch version of the lock. The switch changes it's status when the latchbolt protrudes 15 mm or more.

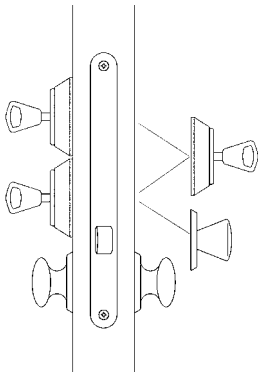
Striker plates to be used with a microswitch locking box: 4692, 4693.



Striker plate	4690, 4691, LP711, LP714, LP721, LP731
Finish	Fe/ZL
Cylinder	ABLOY® C, N, T, U
Fire resistance	–
Mortise standard	Please see page 62

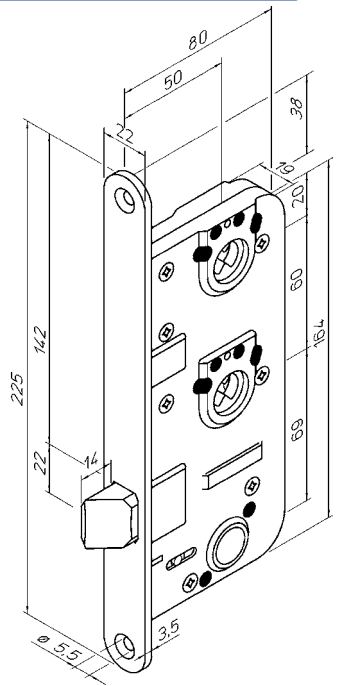


ABLOY® LC127

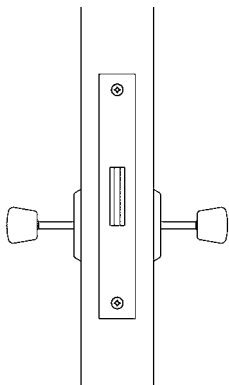


Double cylinder lock case for fire doors. The lock has a cylinder function only and is opened with a key or thumbturn. The latchbolt protrudes 14 mm. The lock can be used with electromechanical striker plate also. Striker plates to be used with a microswitch locking box: 4692, 4693.

Striker plate 4690, 4691, LP711, LP714, LP721, LP731
 Finish Fe/ZL
 Cylinder ABLOY® C, N, T, U
 Fire resistance Yes
 Mortise standard Please see page 62

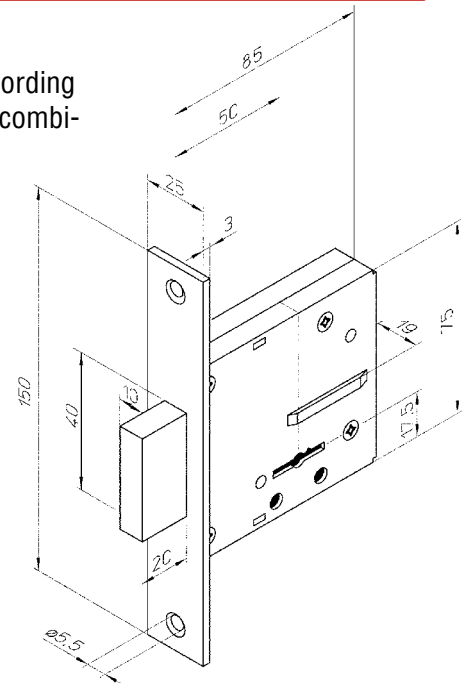


ABLOY® 428

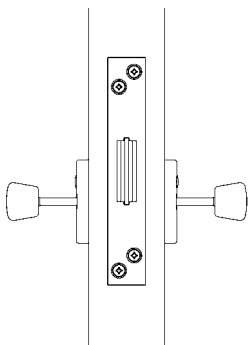


Security lock (comparable with security grade 4 according to EN 12209) with more than 100 000 different key combinations. The key can only be removed when the deadbolt is fully locked or retracted. The deadbolt protrudes 20 mm. The lock is able to be keyed alike with 2928 lock. 428X is the microswitch version of the lock. The switch changes the status during the last ¼ turn of the key to the locking direction.

Striker plate 0036, 0065
 Finish Fe/ZL
 Fire resistance –
 Mortise standard Please see page 62

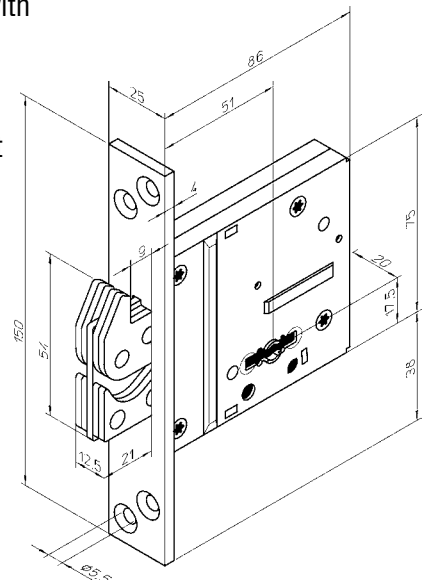


ABLOY® SL905

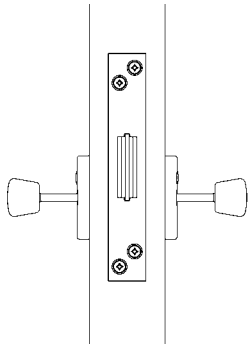


Security lock (security grade 7 according to EN 12209) with more than 1 000 000 key combinations. The lock is equipped with a hardened hook bolt, which is locked by turning the key 360°. The patented key can only be removed when the deadbolt is fully locked or retracted. The hookbolt protrudes 20 mm. The lock can be easily installed into the same mortise as ABLOY® 428 security lock. SL905X is the microswitch version of the lock. The switch changes the status during the last ¼ turn of the key to the locking direction.

Striker plate LP780, LP81
 Finish Fe/ZL
 Fire resistance –
 Mortise standard Please see page 62



ABLOY® SL905MP



Security lock (security grade 7 according to EN 12209) with more than 1 000 000 key combinations with multipoint module.

The lock is equipped with a hardened hook bolt, which is locked by turning the key 360°.

The patented key can only be removed when the deadbolt is fully locked or retracted.

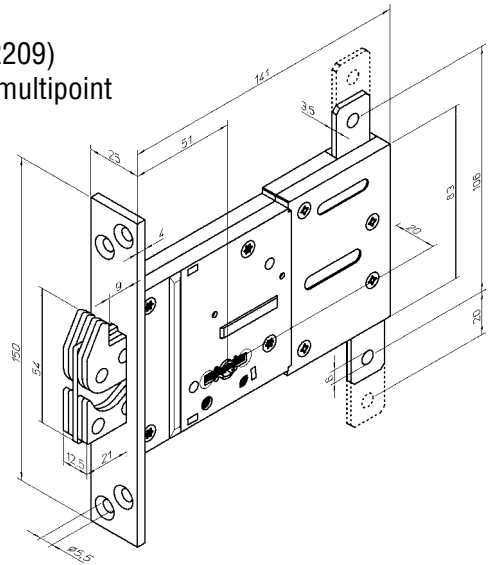
The hookbolt protrudes 20 mm.

Multipoint module provides several multipoint locking applications, please see page 67.

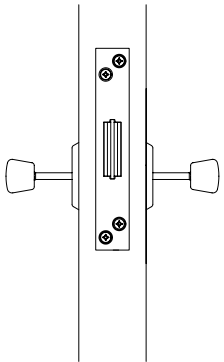
SL905MPX is the microswitch version of the lock.

The switch changes the status during the last ¼ turn of the key to the locking direction.

Striker plate	LP780, LP81
Finish	Fe/ZL
Fire resistance	–
Mortise standard	Please see page 62



ABLOY® SL928



Security lock (security grade 7 according to EN 12209) with 100 000 key combinations. The lock is equipped with a hardened hook bolt, which is locked by turning the key 360°.

The key can only be removed when the deadbolt is fully locked or retracted.

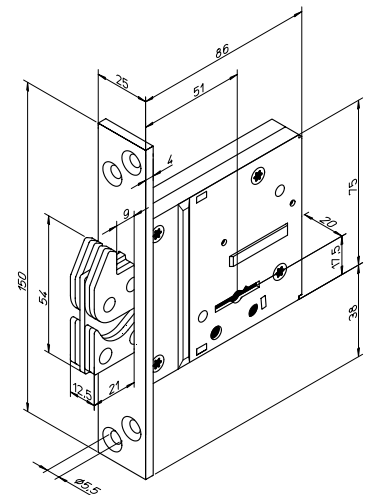
The hookbolt protrudes 20 mm.

The lock can be easily installed into the same mortise as ABLOY® 428 security lock.

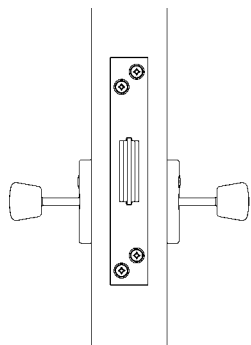
SL928X is the microswitch version of the lock.

The switch changes the status during the last ¼ turn of the key to the locking direction.

Striker plate	LP780, LP81
Finish	Fe/ZL
Fire resistance	–
Mortise standard	Please see page 62



ABLOY® SL928MP



Security lock (security grade 7 according to EN 12209) with 100 000 key combinations with multipoint module. The lock is equipped with a hardened hook bolt, which is locked by turning the key 360°.

The key can only be removed when the deadbolt is fully locked or retracted.

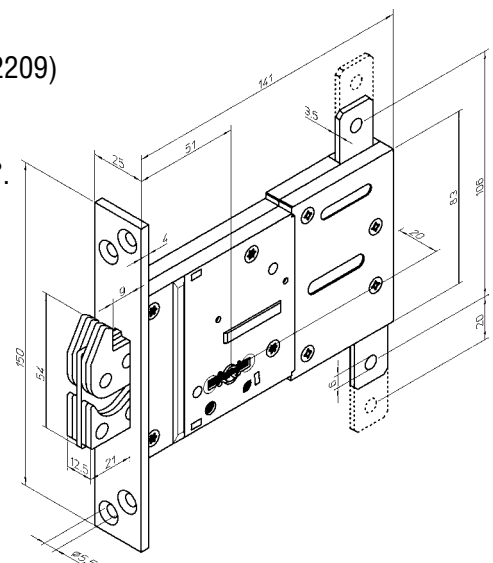
The hookbolt protrudes 20 mm.

Multipoint module provides several multipoint locking applications, please see page 67.

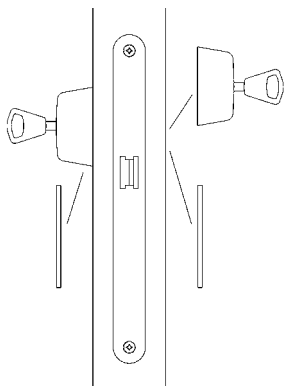
SL928MPX is the microswitch version of the lock.

The switch changes the status during the last ¼ turn of the key to the locking direction.

Striker plate	LP780, LP81
Finish	Fe/ZL
Fire resistance	–
Mortise standard	Please see page 62



ABLOY® 4181



Security lock case (comparable with security grade 5 according to EN 12209) with hardened bolt and drilling protection. The key can only be removed when the deadbolt is fully locked or retracted.

4181X is the microswitch version of the lock. The switch changes its status when deadbolt moves to 20 mm.

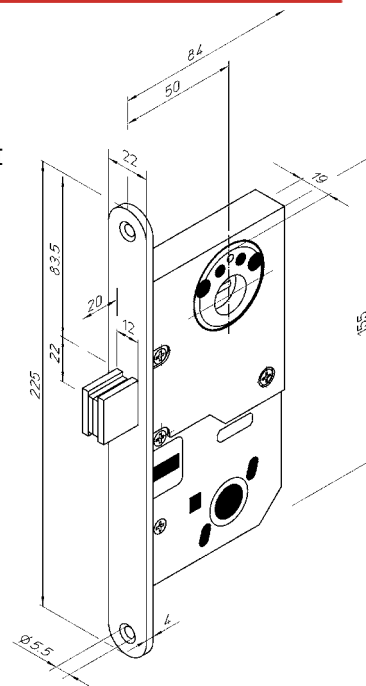
Striker plate 4690, 4691, LP710, LP711, LP714, LP721, LP731

Finish Fe/ZL

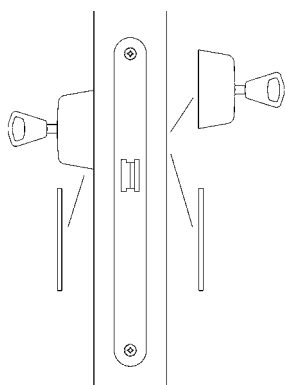
Cylinder ABLOY® C, N, T, U

Fire resistance –

Mortise standard SFS 5208
SS 81 73 83
Please see page 60



ABLOY® LC211



Security mortise lock case (comparable with security grade 5 according to EN 12209) with hardened deadbolt and drilling protection.

The deadbolt has a 20 mm bolt throw. The deadbolt is locked and retracted by turning the key or thumbturn 360°. The key can only be removed when the deadbolt is fully locked or retracted.

LC211X is the microswitch version of the lock. The switch changes its status when deadbolt moves to 20 mm.

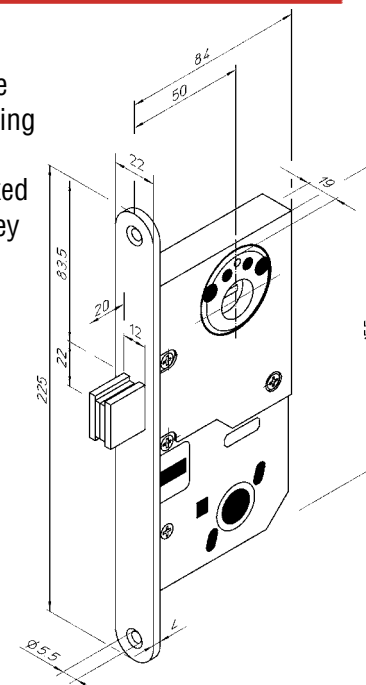
Striker plate 4690, 4691, LP710, LP712, LP717, LP722, LP732

Finish Fe/ZL

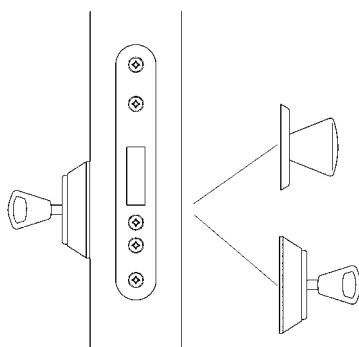
Cylinder ABLOY® N, T, U

Fire resistance –

Mortise standard SFS 5208
SS 81 73 83
Please see page 60



ABLOY® 4232



Security lock (comparable with security grade 3 according to EN 12209). The hardened hookbolt with intermediate locking position is locked and retracted by turning the key 360°.

The deadbolt protrudes 23 mm.

The lock can be used with DIN standard fittings.

Drilling protection 404252-B, is available as an optional accessory.

4232X is the microswitch version of the lock.

The switch changes the status during the last key throw to the locking direction.

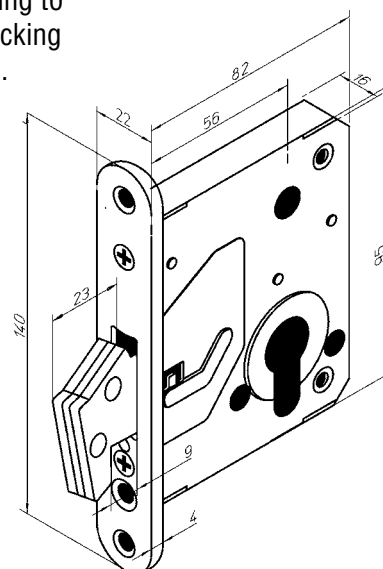
Striker plate 0036, 0065, LP763

Finish Fe/ZL

Cylinder Euro DIN

Fire resistance –

Mortise standard Please see page 63



ABLOY® 4232MP

Security lock (comparable with security grade 3 according to EN 12209) combined with multipoint module. The hardened hookbolt with intermediate locking position is locked and retracted by turning the key 360°. The deadbolt protrudes 23 mm. Multipoint module provides several multipoint locking applications, please see page 67.

The lock can be used with DIN standard fittings. Drilling protection 404252-B, is available as an optional accessory.

4232MPX is the microswitch version of the lock. The switch changes the status during the last key throw to the locking direction.

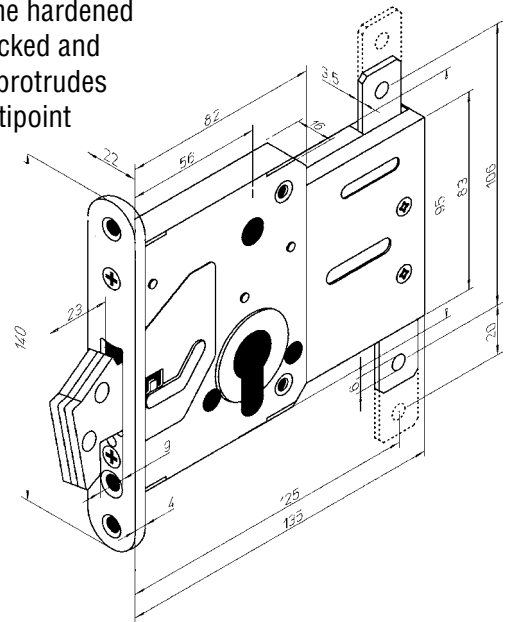
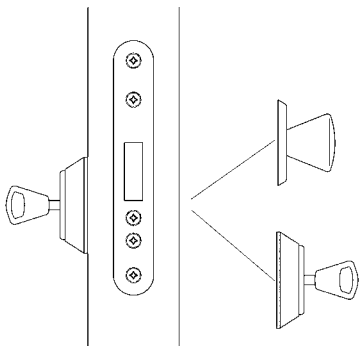
Striker plate 0036, 0065, LP763

Finish Fe/ZL

Cylinder Euro DIN

Fire resistance –

Mortise standard Please see page 63



ABLOY® LC306

Security lock case (comparable with security grade 5 according to EN 12209) for narrow profile doors.

Operates with key from either side with a double cylinder or from outside with a cylinder and inside with a special thumb-turn or from one side only with a single cylinder.

The key can only be removed when the hardened hookbolt is fully locked or retracted.

LC306X is the microswitch version of the lock. The switch changes the status when the hookbolt moves from unlocked to locked position.

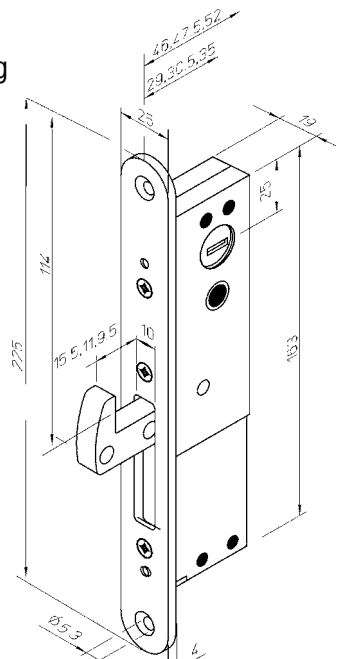
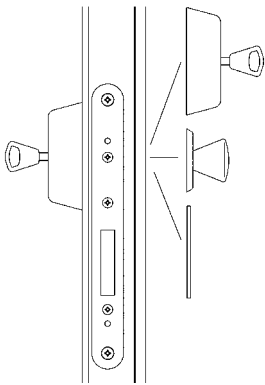
Striker plate 4655, LP707

Finish Fe/ZL

Cylinder ABLOY® C, N, T, U

Fire resistance –

Mortise standard Please see page 63



ABLOY® LC306H

Security lock case (comparable with security grade 5 according to EN 12209) with hookbolt, reinforced against pulling loads for narrow profile sliding doors.

Operates with key from either side with a double cylinder or from outside with a cylinder and inside with a special thumb-turn or from one side only with a single cylinder.

The key can only be removed when the hardened hookbolt is fully locked or retracted.

LC306HX is the microswitch version of the lock. The switch changes the status when the hookbolt moves from unlocked to locked position.

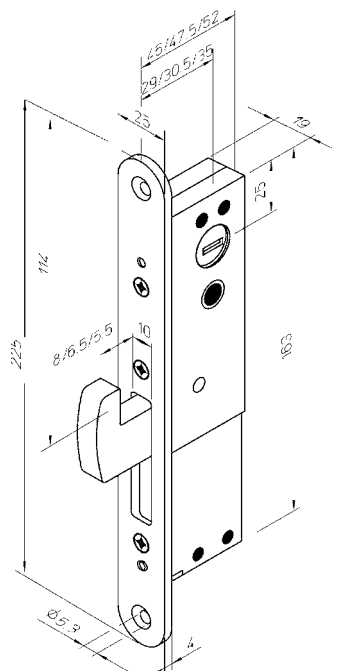
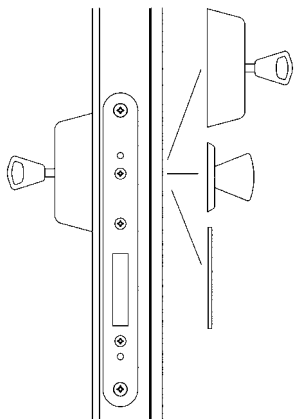
Striker plate LP708

Finish Fe/ZL

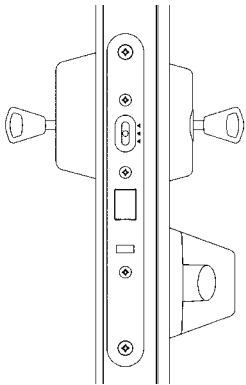
Cylinder ABLOY® C, N, T, U

Fire resistance –

Mortise standard Please see page 63



ABLOY® LC301



Automatically deadlocking lock for narrow profile emergency exit doors. The lock can be opened either with a key (outside and inside) or by using an emergency thumbturn (sliding snib in UP position).

Latchbolt can be retained inside the lock case (sliding snib in DOWN position).

Sliding snib is released only when turning the key.

LC301X is the microswitch version of the lock. The switch changes it's status when the latchbolt protrudes 9 mm or more.

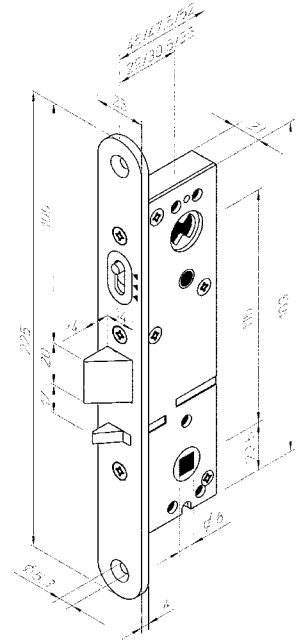
Striker plate 4613, 4614, LP702, LP703

Finish Fe/ZL

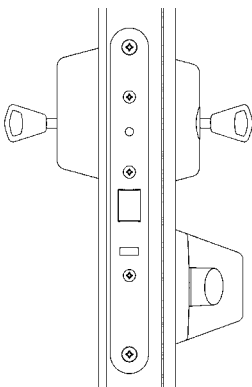
Cylinder ABLOY® C, N, T, U, SCAND

Fire resistance –

Mortise standard Please see page 64



ABLOY® LC301F



Automatically deadlocking lock for fire resisting narrow profile emergency exit doors.

The lock can be opened either with a key (outside and inside) or by using an emergency thumbturn.

There is no sliding snib. Automatic deadlocking when the door is closed.

LC301FX is the microswitch version of the lock. The switch changes it's status when the latchbolt protrudes 9 mm or more.

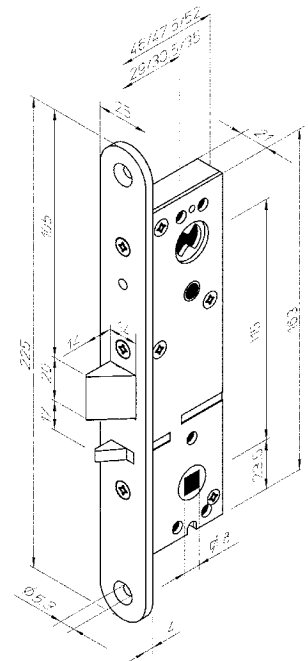
Striker plate 4613, 4614, LP702, LP703

Finish Fe/ZL

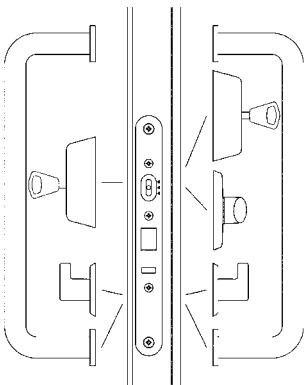
Cylinder ABLOY® C, N, T, U, SCAND

Fire resistance EI₁15-EI₁60 and EI₂15-EI₂60

Mortise standard Please see page 64



ABLOY® LC302



Automatically deadlocking lock for narrow profile doors.

Function is determined by sliding snib on forend:

UP position = automatic deadlocking. Opened by a key from either side, or by a thumbturn from inside.

MIDDLE position = lock is latched and operates also with handles.

DOWN position = latchbolt is retained inside the lock case. Sliding snib is released only when turning the key (or thumbturn).

LC302X is the microswitch version of the lock. The switch changes it's status when the latchbolt protrudes 9 mm or more.

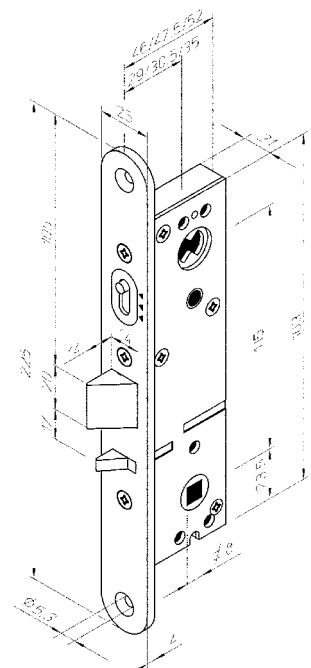
Striker plate 4613, 4614, LP702, LP703

Finish Fe/ZL

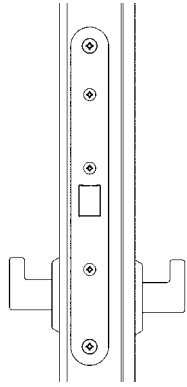
Cylinder ABLOY® C, N, T, U, SCAND

Fire resistance –

Mortise standard Please see page 64



ABLOY® LC303



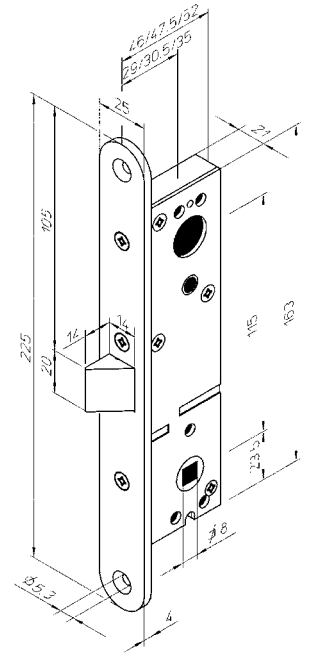
Mortise latch for narrow profile doors with lever handle function only.

Striker plate 4613, 4614, LP702, LP703

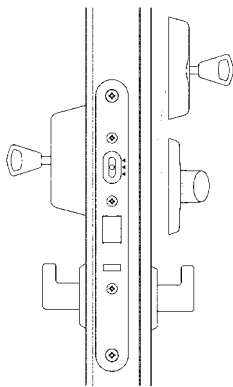
Finish Fe/ZL

Fire resistance EI₁15-EI₁60 and EI₂15-EI₂60

Mortise standard Please see page 64



ABLOY® LC305



Automatically deadlocking lock for narrow profile doors. Primarily for doors which must always be latched (e.g. fire doors) and where deadlocking is needed.

Function is determined by a sliding snib on forend: UP position = automatic deadlocking. Operates by a key (or a thumbturn) from either side.

MIDDLE position = lock is latched and operates also with handles.

DOWN position = not in use.

Sliding snib is released only when turning the key (or thumbturn).

LC305X is the microswitch version of the lock. The switch changes it's status when the latchbolt protrudes 9 mm or more.

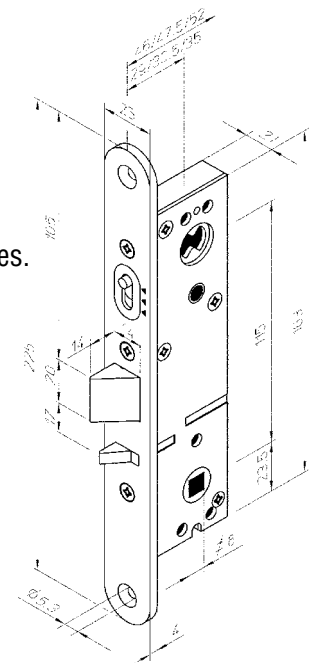
Striker plate 4613, 4614, LP702, LP703

Finish Fe/ZL

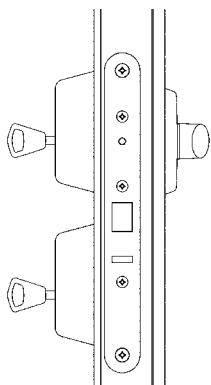
Cylinder ABLOY® C, N, T, U, SCAND

Fire resistance EI₁15-EI₁60 and EI₂15-EI₂60

Mortise standard Please see page 64



ABLOY® LC130



Double cylinder lock case with an automatic deadlocking for narrow profile doors. Automatic deadlocking when the door is closed. The lock is opened with a key or a thumbturn.

The cylinder and thumbturn which is used more is recommended to be installed higher up.

The lock can be fitted with a thumbturn and/or a one sided or a double sided cylinder. The lower cylinder is installed upside down due to the construction of the lock.

LC130X is the microswitch version of the lock. The switch changes it's status when the latchbolt protrudes 9 mm or more.

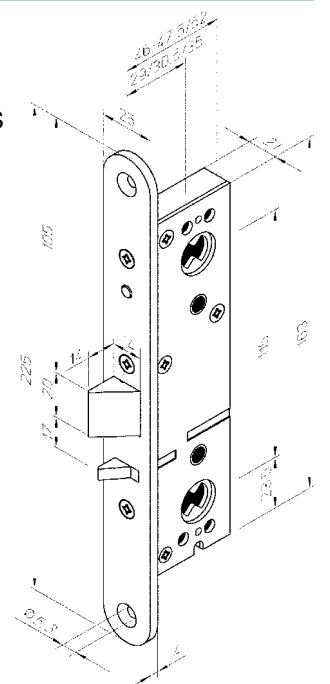
Striker plate 4613, 4614, LP702, LP703

Finish Fe/ZL

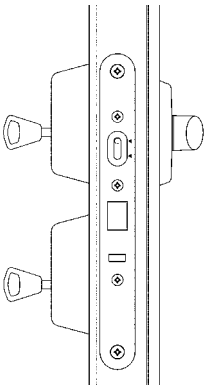
Cylinder ABLOY® C, N, T, U, SCAND

Fire resistance EI₁15-EI₁60 and EI₂15-EI₂60

Mortise standard Please see page 64



ABLOY® LC131



Double cylinder lock case with an automatic deadlocking for narrow profile doors equipped with a door closer. Function is determined by sliding button on forend:

UP/MIDDLE position = automatic deadlocking. Operates by a key or a thumbturn.

DOWN position = latchbolt is retained inside the lock case.

Sliding snib is released only when turning the key (or thumbturn).

The cylinder and thumbturn which is used more is recommended to be installed higher up. The lock can be fitted with a thumbturn and/or a one sided and a double sided cylinder. The lower cylinder is installed upside down due to the construction of the lock.

LC131X is the microswitch version of the lock. The switch changes it's status when the latchbolt protrudes 9 mm or more.

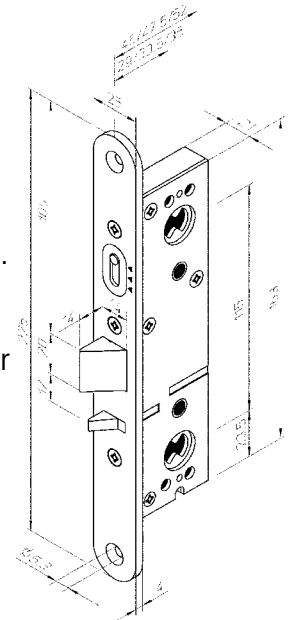
Striker plate 4613, 4614, LP702, LP703

Finish Fe/ZL

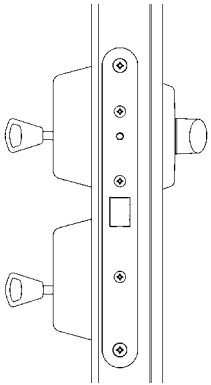
Cylinder ABLOY® C, N, T, U, SCAND

Fire resistance –

Mortise standard Please see page 64



ABLOY® LC132



Double cylinder lock case, which is latching always when closing the door. The lock is opened with a key or a thumbturn.

The lock can be used with electromechanical striker plate.

The cylinder and thumbturn which is used more is recommended to be installed higher up. The locks can be equipped with a thumbturn and/or a one sided or a double sided cylinder. The lower cylinder is installed upside down due to the construction of the lock.

LC132X is the microswitch version of the lock. The switch changes it's status when the latchbolt protrudes 9 mm or more.

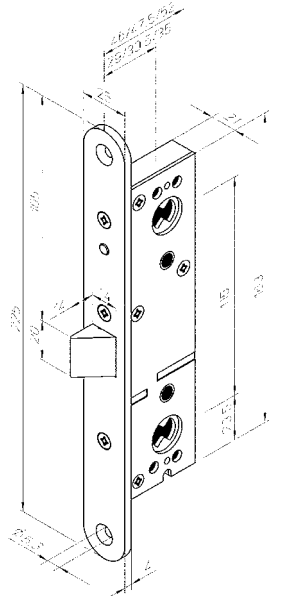
Striker plate 4613, 4614, LP702, LP703

Finish Fe/ZL

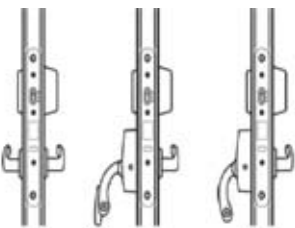
Cylinder ABLOY® C, N, T, U, SCAND

Fire resistance EI₁15-EI₁60 and EI₂15-EI₂60

Mortise standard Please see page 64



ABLOY® LE310



Exit lock case with automatic deadlocking latchbolt for profile doors with one blade. The door is opened from outside with a lever handle.

The lock case fulfils the requirements of the European standard for exit products SFS-EN179 and SFS-EN1125 and the requirements of the lock case standard SFS-EN12209. The lock is always

opened from the inside by a lever handle, push pad or panic bar. The latchbolt protrudes 14 mm.

Deadlocking is controlled by a snib in the front plate. Using

of the snib is normally blocked. The snib is released by turning the key.

Snib position:

UP = Deadlocked, the lock can be opened from outside by key only and from inside by a lever handle, push pad or panic bar.

DOWN = Day latching, the lock can be opened from outside by lever handle also.

LE310X is the microswitch version of the lock. The switch changes the status when latchbolt is deadlocked.

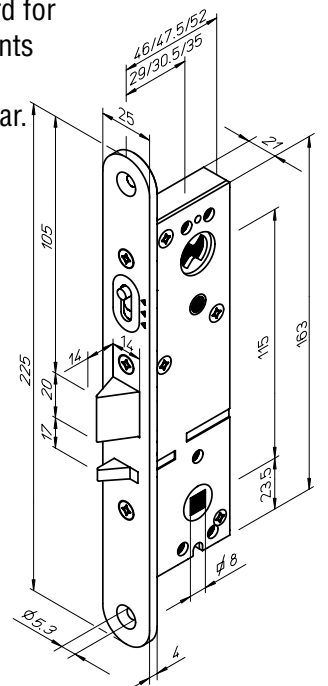
Striker plate LP702, LP703

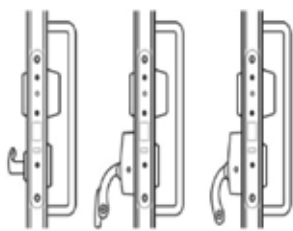
Finish Fe/ZL

Cylinder ABLOY® C, N, T, U,

Fire resistance EI₁15-EI₁60 and EI₂15-EI₂60

Mortise standard Mortise for profile door lock cases



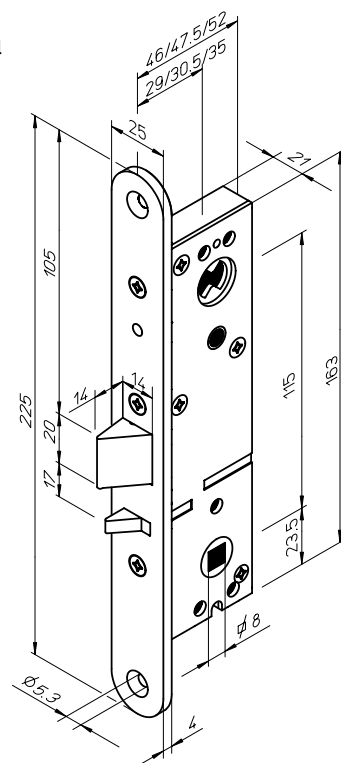
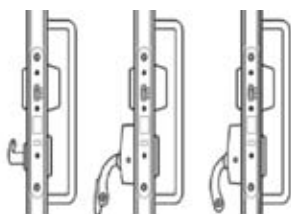
ABLOY® LE314

Exit lock case with automatic deadlocking latchbolt for profile doors with one blade. The door is opened from outside with a door pull.

The lock case fulfils the requirements of the European standard for exit products SFS-EN179 and SFS-EN1125 and the requirements of the lock case standard SFS-EN12209. The lock is always opened from the inside by a lever handle, push pad or panic bar. The lock is deadlocked always when the door is closed. The latchbolt protrudes 14 mm.

LE314X is the microswitch version of the lock. The switch changes the status when latchbolt is deadlocked.

Striker plate	LP702, LP703
Finish	Fe/ZL
Cylinder	ABLOY® C, N, T, U,
Fire resistance	EI ₁₅ -EI ₆₀ and EI ₂₁₅ -EI ₆₀
Mortise standard	Mortise for profile door lock cases

**ABLOY® LE315**

Exit lock case with automatic deadlocking latchbolt for profile doors with one blade. The door is opened from outside with a door pull.

The lock case fulfils the requirements of the European standard for exit products SFS-EN179 and SFS-EN1125 and the requirements of the lock case standard SFS-EN12209. The lock is always opened from the inside by a lever handle, push pad or panic bar. The latchbolt protrudes 14 mm.

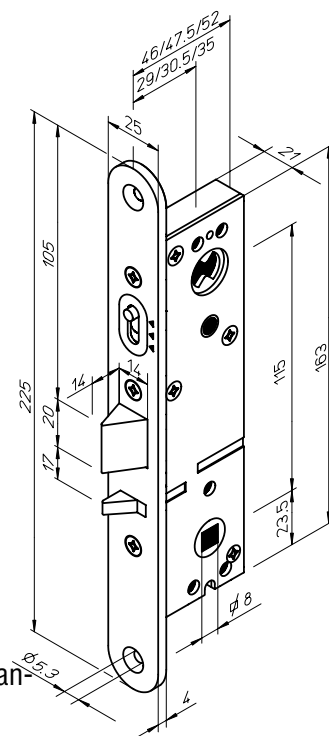
Deadlocking is controlled by a snib in the front plate. Using of the snib is normally blocked. The snib is released by turning the key.

Snib position:
UP = Deadlocked

The lock can be opened from outside by key only and from inside by a lever handle, push pad or panic bar.
DOWN = Latchbolt is retained inside the lock case.

LE315X is the microswitch version of the lock. The switch changes the status when latchbolt is deadlocked.

Striker plate	LP702, LP703
Finish	Fe/ZL
Cylinder	ABLOY® C, N, T, U,
Fire resistance	–
Mortise standard	Mortise for profile door lock cases



ABLOY® 2050 installation box

Surface mounted ABLOY® 2050 installation box is specially designed to be used on glass doors or other door constructions where normal mortice installation is not possible.

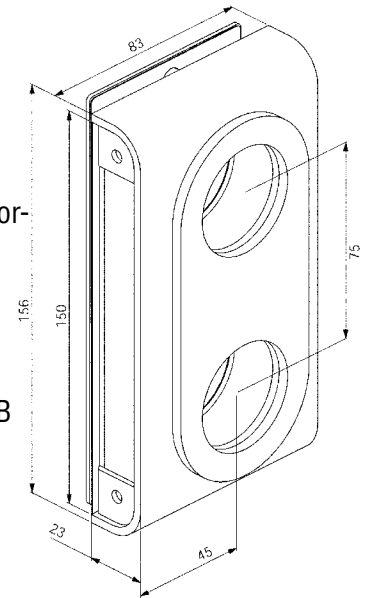
All ABLOY® interior door locks (e.g. ABLOY® 2011, ABLOY® 2014 or ABLOY® 4260) made to fit in a mortice prepared according to standard SFS 5210 can be installed in this box. The delivery includes an installation box in two parts, insulating films to protect the glass, backing plate and installation parts.

Striker plate for wooden door frame 0045, 0055, 0068, 0068B

Striker plate for double door or glass screen 0050

Finish Fe/JME, Fe/JHA and Fe/CR

Drilling scheme please see page 65



ABLOY® 2051 installation box

Surface mounted ABLOY® 2051 installation box is specially designed to be used on glass doors, gates or other door constructions where normal mortice installation is not possible. All ABLOY®-lock cases (e.g. ABLOY® 4190 series, excl. 4291) made to fit in a mortice prepared according to standard SFS 5209 can be installed in this box. The delivery includes an installation box in two parts, insulating films to protect the glass, backing plate and installation parts.

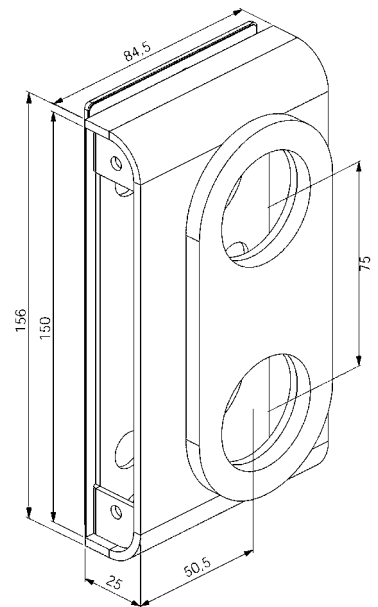
Striker plate for wooden door frame
4690, 4691, LP711, LP714, LP721, LP731

Striker plate for double door or glass screen 0051

Striker plate for double door or glass screen with
ABLOY® 4960, 0052

Finish Fe/JME, Fe/JHA and Fe/CR

Drilling scheme please see page 65

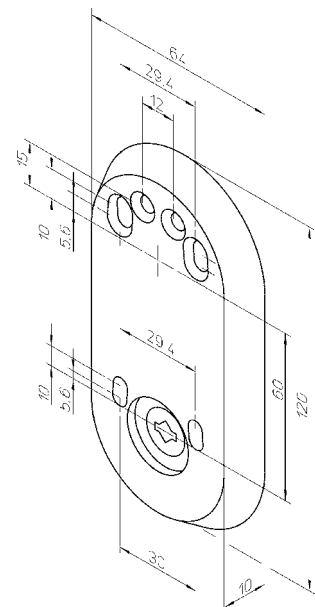


Transfer device ABLOY® 518

The surface mounted ABLOY® 518 transfer device can be used to combine two different key or cylinder systems and it can easily be installed also on existing locks of different types.

The device can be used to combine
ABLOY® C, N, T, U with ABLOY® C, N, T, U
ABLOY® N, T, U with SCAND cylinders or
SCAND with SCAND

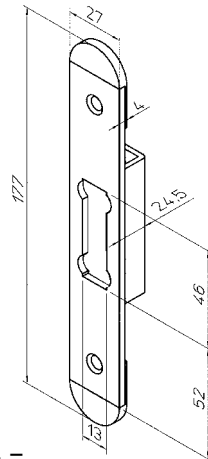
NB. Fittings to be ordered separately



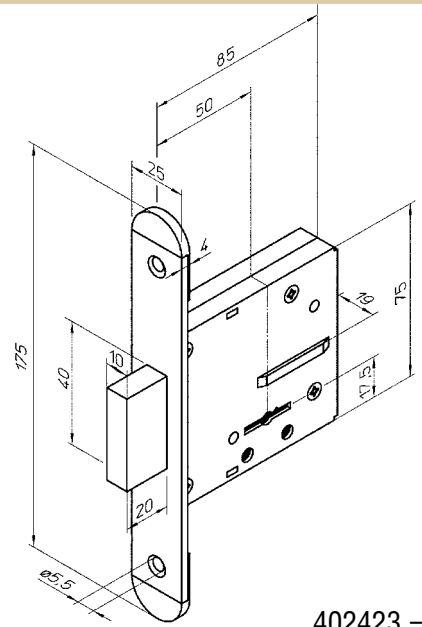
Rounding pieces

When the mortise is made by a drill, router or milling machine the tooling traces can be covered by rounding pieces.

Finish = ABS/CR



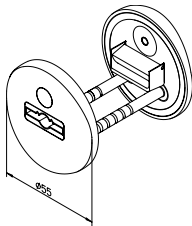
402424 =
For striker plate 0036



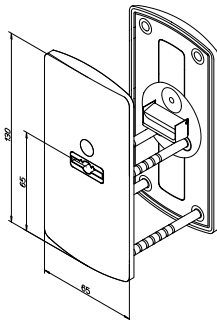
402423 =
For lock ABLOY® 428

Escutcheons

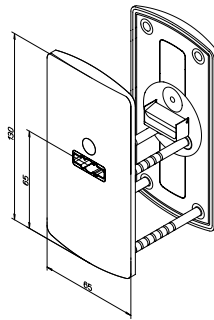
963
(lock SL928, 428, 451S)
Finish
Ms/CR, Ms/HCR, Ms/
KILA



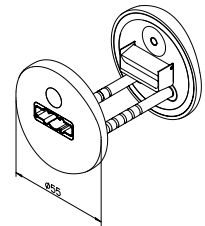
964
(lock SL928, 428)
Finish
Ms/CR, Ms/HCR,
Ms/KILA



962
(lock SL905)
Finish
Ms/CR, Ms/HCR,
Ms/KILA

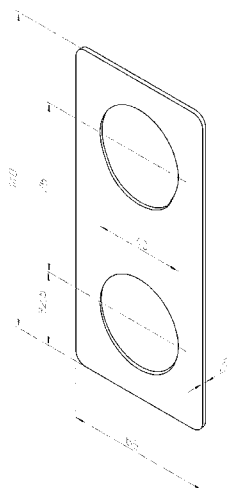


961
(lock SL905)
Finish
Ms/CR, Ms/HCR,
Ms/KILA

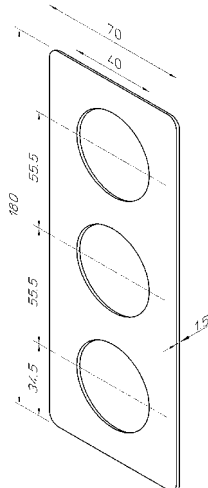


Cover plates

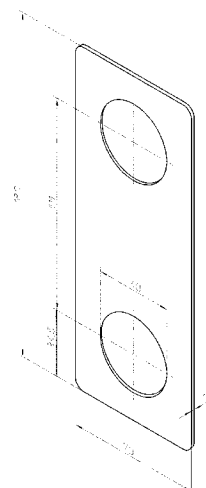
023
Finish
Ms/CR
Ms/HA



024
Finish
Ms/CR
Ms/HA



025
Finish
Ms/CR
Ms/HA



Cover front plates

7640

Finish

Fe/CR, Fe/HCR

Ms/HA, Ms/KILA,

Rt

7641

Finish

Fe/CR, Fe/HCR

Ms/HA, Ms/KILA,

Rt

7690

Finish

Zn/CR

7691

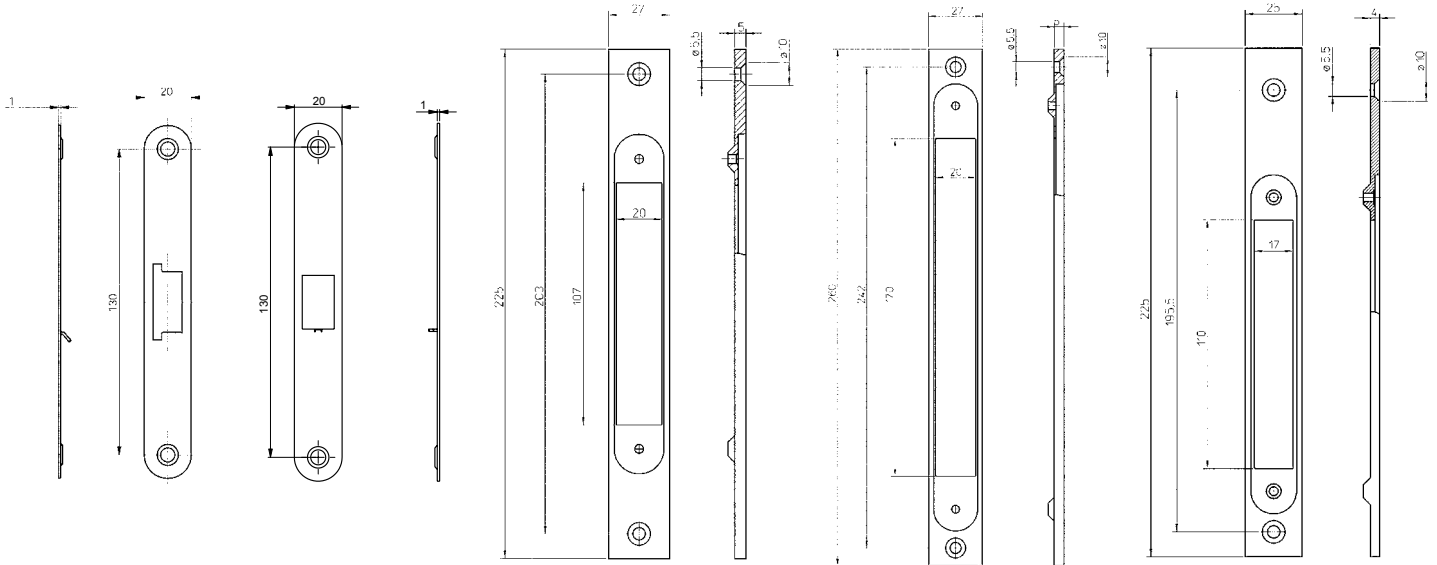
Finish

Al/CR

7694

Finish

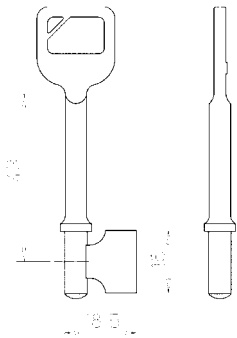
Zn/CR



Keys

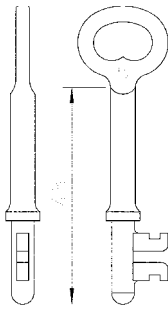
2011

Length 43, 72 mm



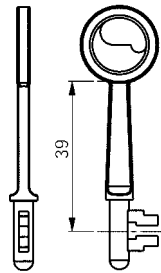
2014

Length 48, 68 mm



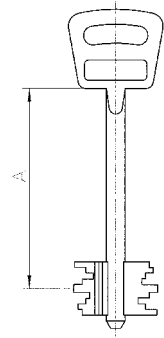
2040

Length 39 mm



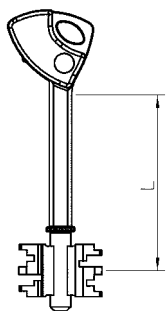
SL928, 428, 451S

Length 43, 53, 69 mm



SL905

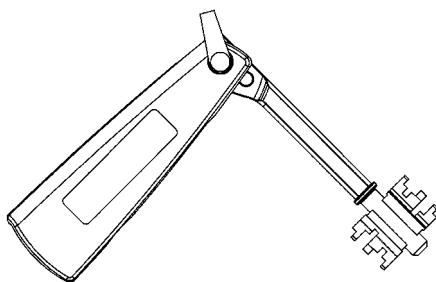
Length 47, 60 mm



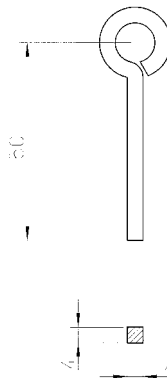
Folding key

SL905

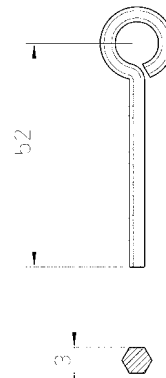
Length 47 mm



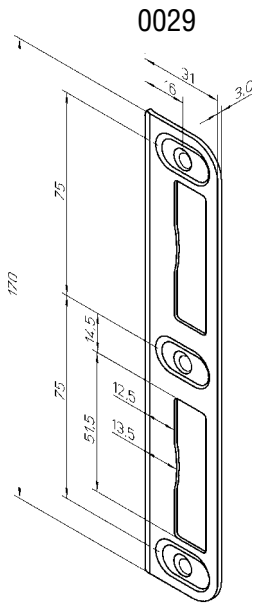
Square key



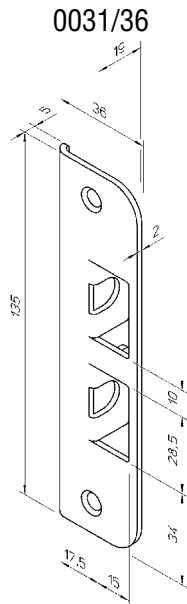
Hexagonal key



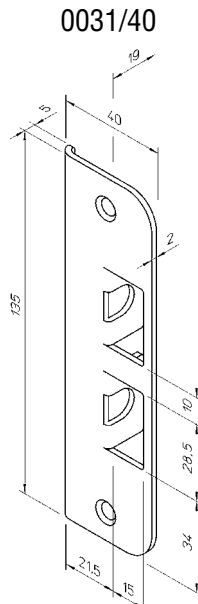
Striker plates



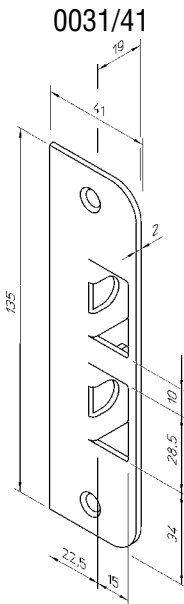
0029



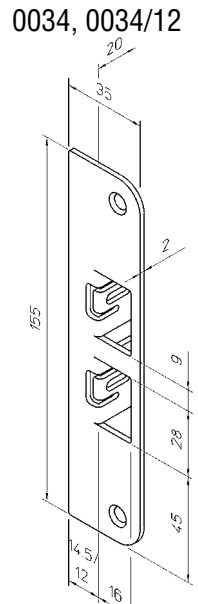
0031/36



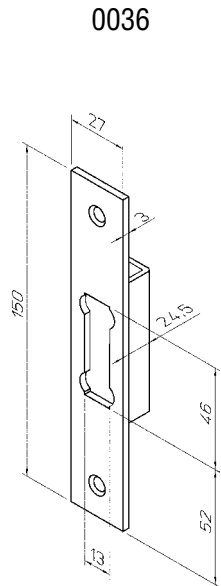
0031/40



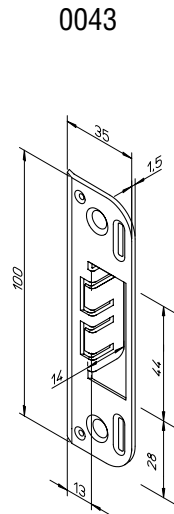
0031/41



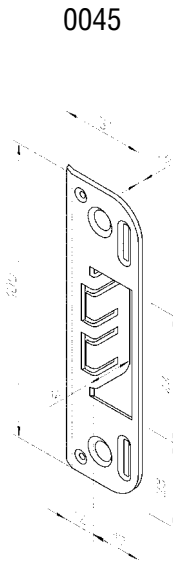
0034, 0034/12



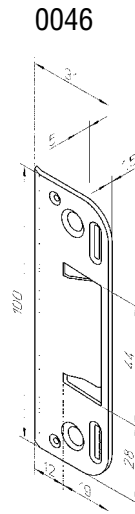
0036



0043

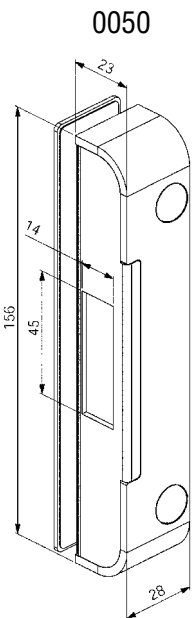


0045

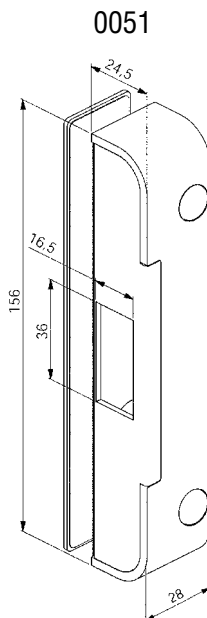


0046

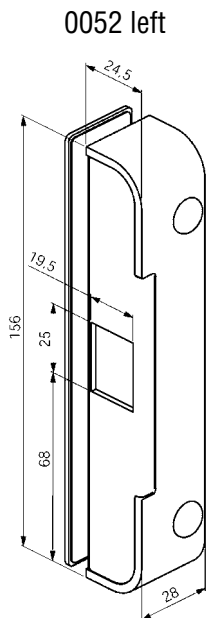
Mortise please see page 67



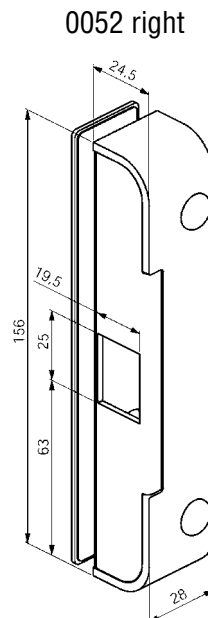
0050



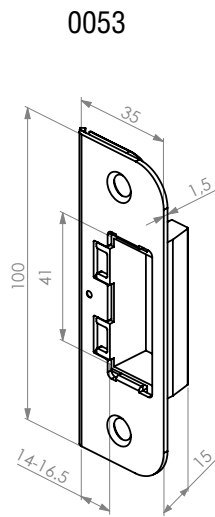
0051



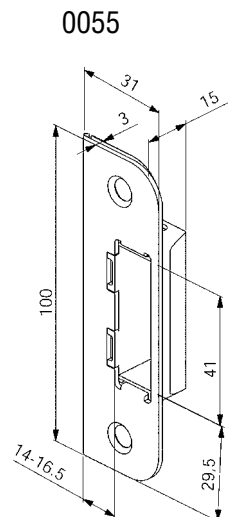
0052 left



0052 right



0053

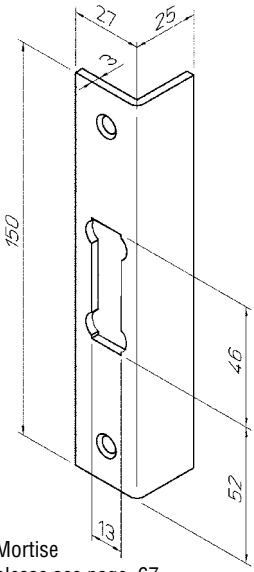


0055

Striker plates 0053 and 0055 have a 2.5 mm adjustment by which the function of the door can be optimized.

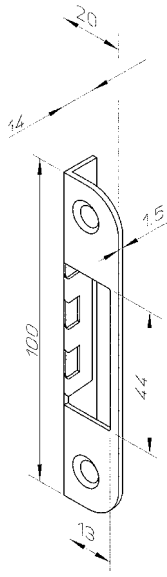
Striker plates

0065



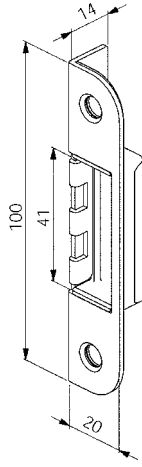
Mortise
please see page 67

0068

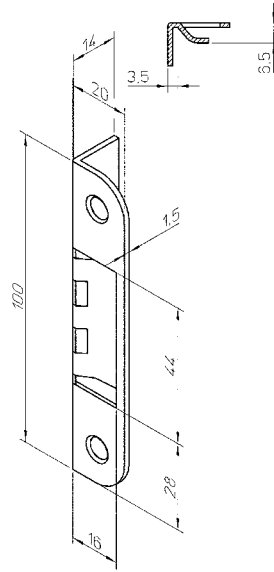


0068B

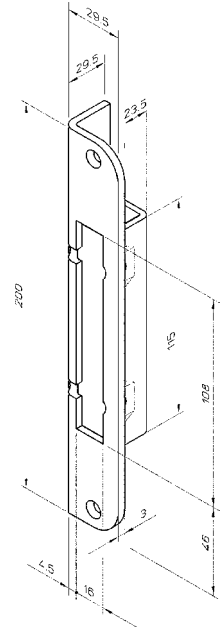
The striker plate is
equipped with a box
covering the mortise.



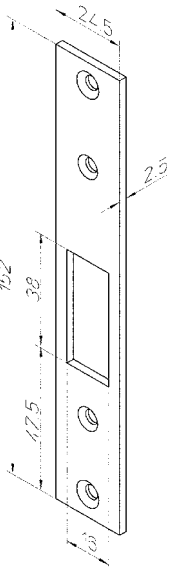
0078



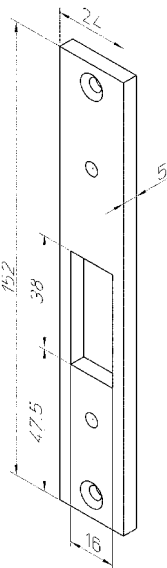
0079



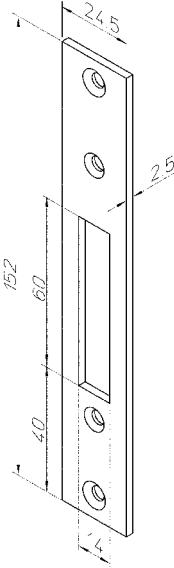
4613



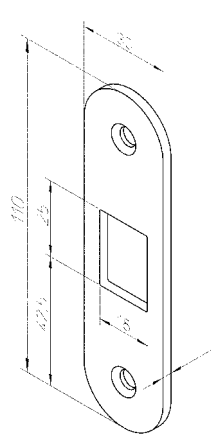
4614



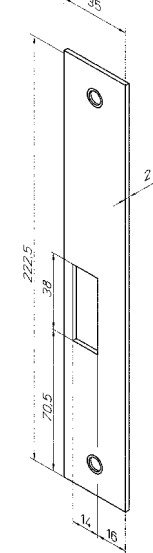
4655



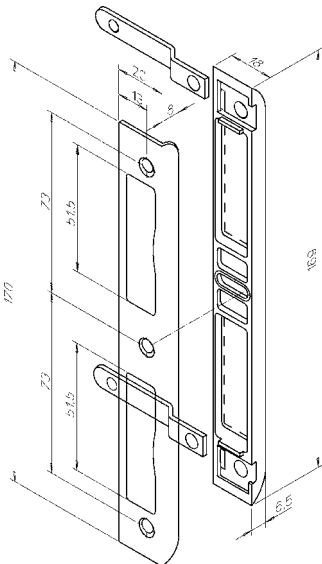
4662



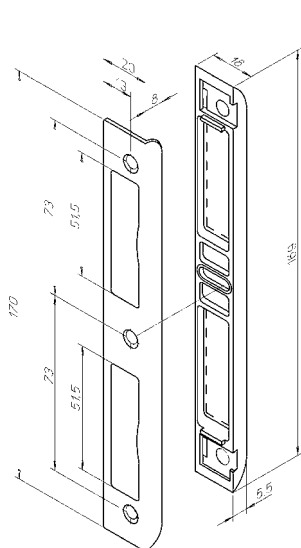
4666



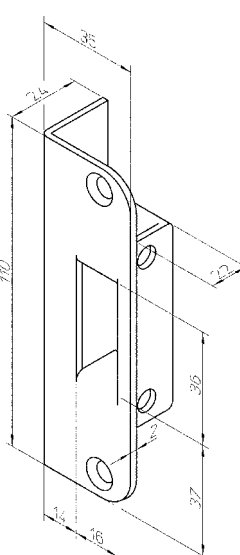
4667



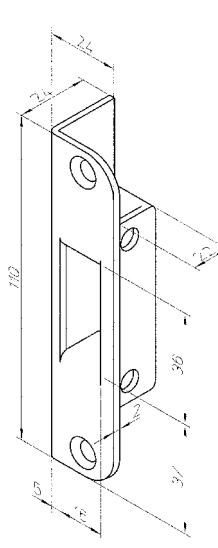
4669



4690

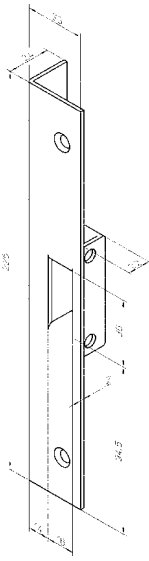


4691

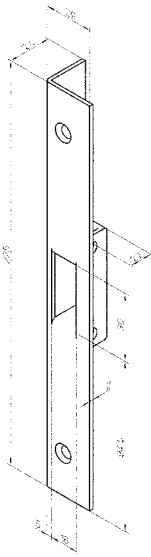


Striker plates

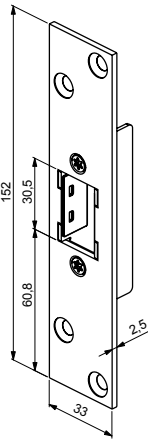
4692



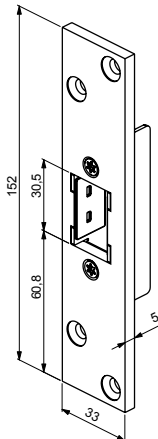
4693



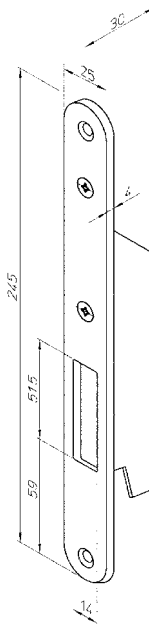
LP702



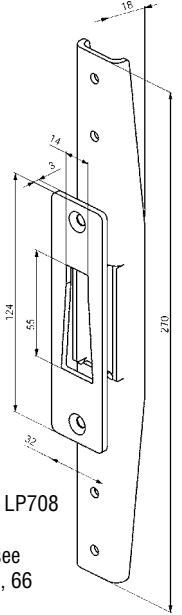
LP703



LP707



LP708



LP 707, LP708
mortise
please see
page 65, 66

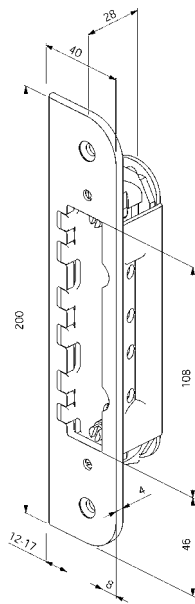
Adjustable striker plates

The striker plates have a patented stepless and slipless adjusting mechanism, by which the function of the seal can be optimized in all circumstances. This makes the door comfortable to use.

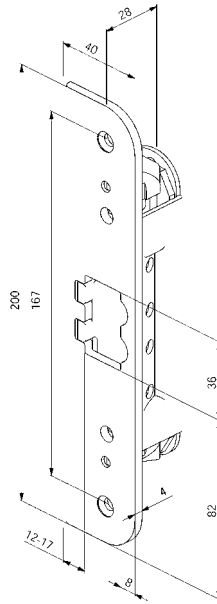
LP710 and LP720 series have a 5 mm and **LP730 series** a 3 mm adjustment range. The adjustment is made by turning two screws in the forend of the striker plate by a screwdriver.

Mortise please see page 66

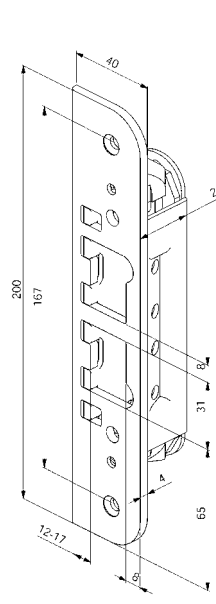
LP710



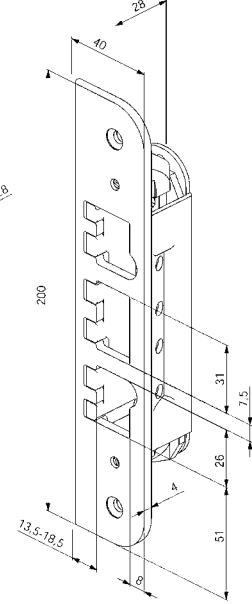
LP711



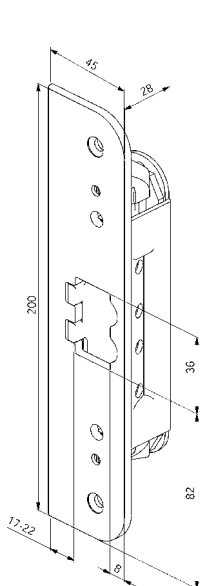
LP712



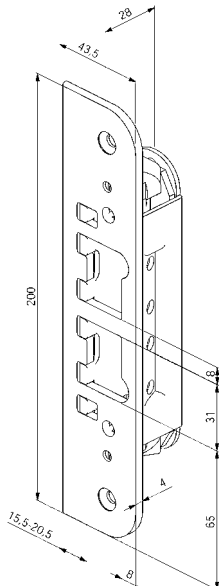
LP713



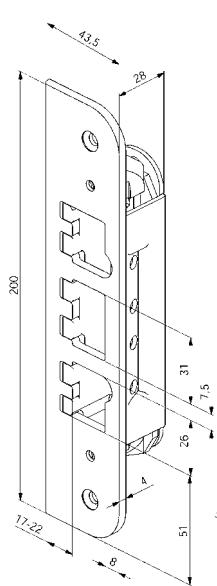
LP714



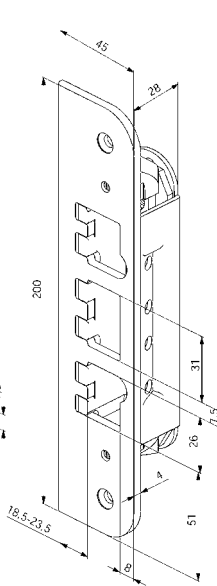
LP717



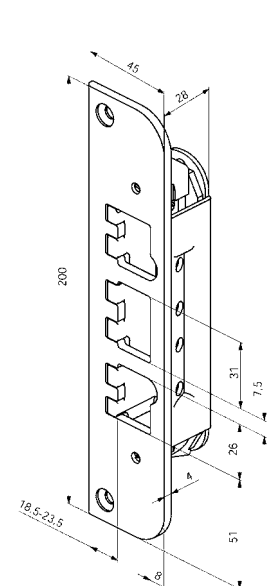
LP718



LP719

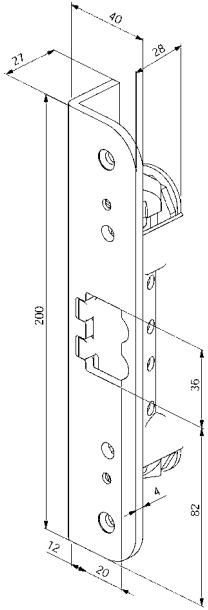


LP719I

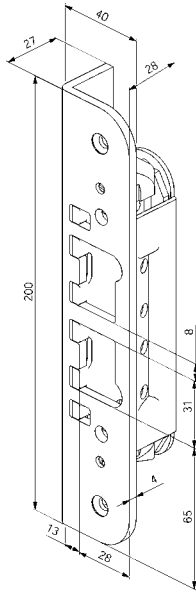


Striker plates

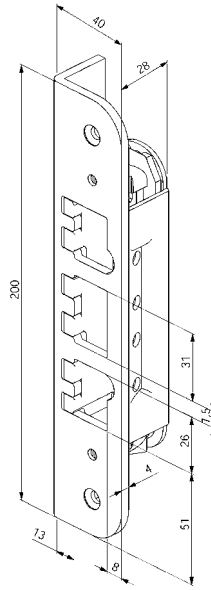
LP721



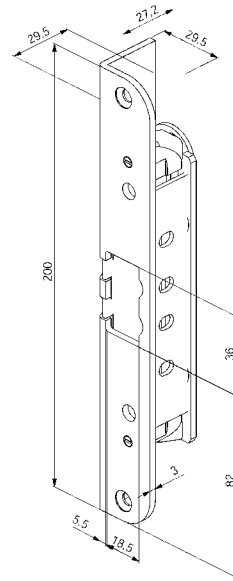
LP722



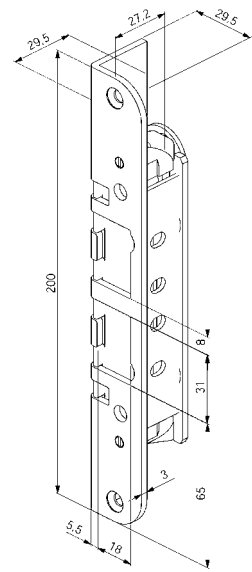
LP723



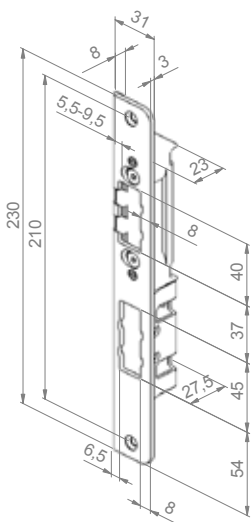
LP731



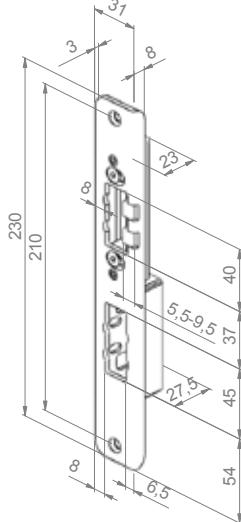
LP732



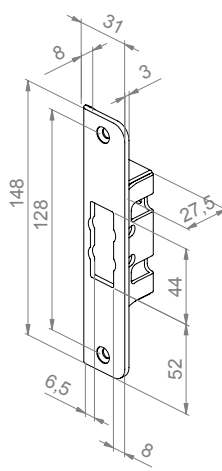
LP760R



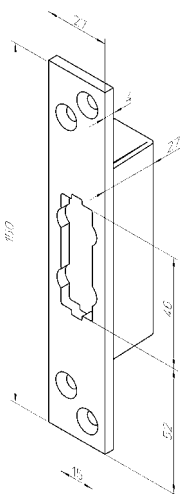
LP760L



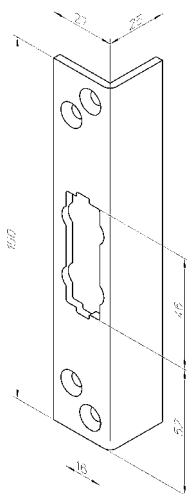
LP763



LP780

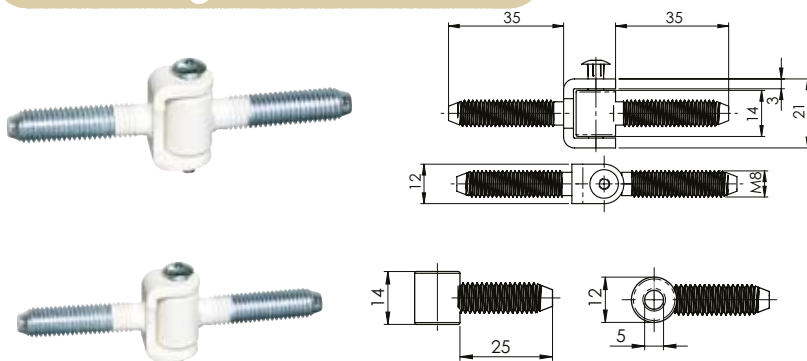


LP781



LP780 and LP781 mortise
please see page 67

Drill-in hinges for windows

**M8x35/12**

Material: steel.

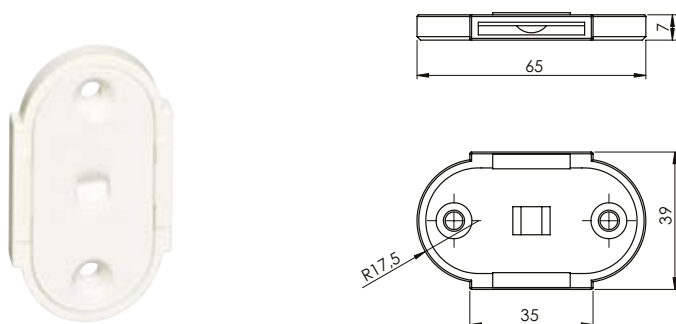
Finishes: white, galvanized.

M8x25/12 HOP for aluminium casement

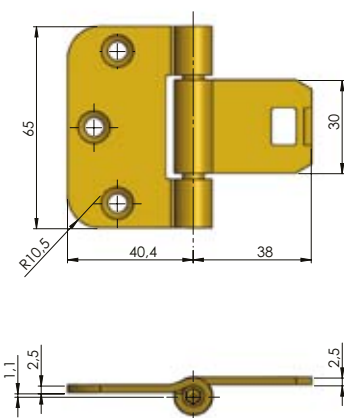
Material: steel.

Finishes: white, galvanized.

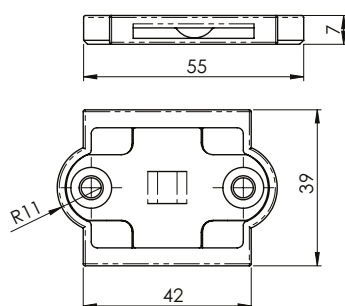
Hinges for interior doors

**6540 door part**

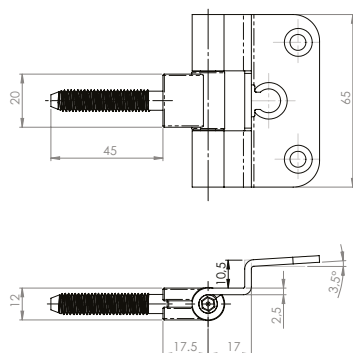
Material: steel/plastic.

Finishes: white,
brass coloured,
silver coloured.**6540KS frame part**

Material: steel

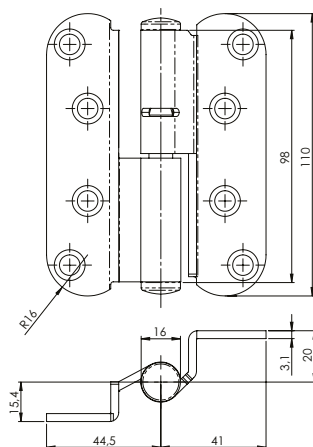
Finishes: white, brass coloured,
silver coloured, chromed, bright
brass.6540KS is vertically
adjustable +/- 2 mm.Symmetrical hinge for
non-rebated interior doors.**5538 door part**

Material: steel/plastic

Finishes: white,
brass coloured,
silver coloured.**FT-65KS**

Material: steel

Finishes: white, brass coloured, silver
coloured, chromed, bright brass.FT-65KS is vertically
adjustable +/- 3 mm.Symmetrical hinge for rebated interior doors.
Door part M6/12x22, galvanized steel.



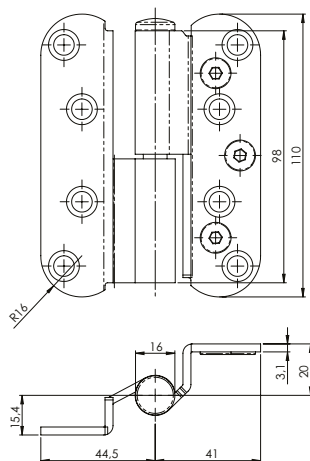
NTR 110x30T

Material: steel

Finishes: galvanized, chrome plated.

NTR 110x30T is vertically adjustable +3 mm (adjusting piece S=1 mm).

Journal supported lift-off hinge for rebated fire doors and inner doors of public premises



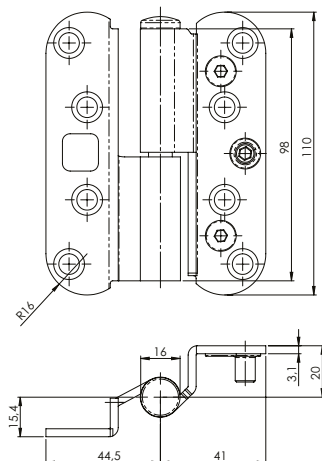
NTR 110x30TKSS

Material: steel

Finishes: galvanized, chrome plated.

NTR 110x30TKSS is vertically adjustable +4/-1,5 mm and laterally adjustable + 3 mm.

Journal supported lift-off hinge for rebated fire doors and inner doors of public premises



NTR 110x30TMRKSS

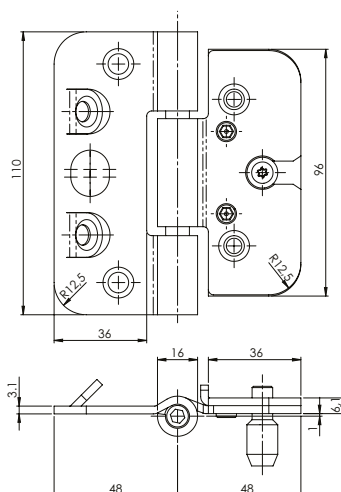
Material: steel

Finishes: galvanized, chrome plated.

NTR 110x30T is vertically adjustable +4/-1,5 mm, laterally adjustable +3 mm and burglary proof.

Journal supported lift-off hinge for rebated fire doors and inner doors of public premises

Hinges for exterior doors



110x36KSS

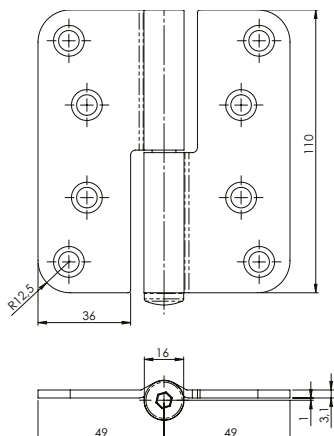
Material: steel

Finishes: white, galvanized, brass coloured, galvanized/lacquered, galvanized/yellow lacquered.

110x36KSS is vertically adjustable +/- 3 mm, laterally adjustable + 3 mm and burglary proof.

Symmetrical hinge for non-rebated exterior doors.

Hinges for exterior doors

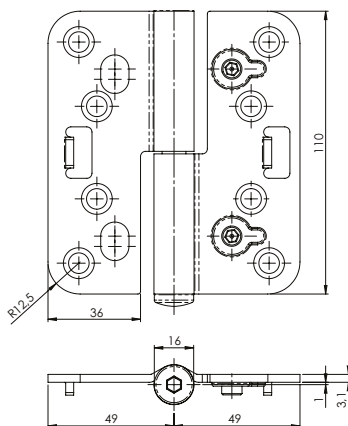
**N3248-110TKS**

Material: steel.

Finishes: white, galvanized, brass coloured, galvanized/lacquered, galvanized/yellow lacquered.

N3248-110TKS is vertically adjustable $\pm 1/4$ mm.

Journal supported lift-off hinge for non-rebated exterior doors.

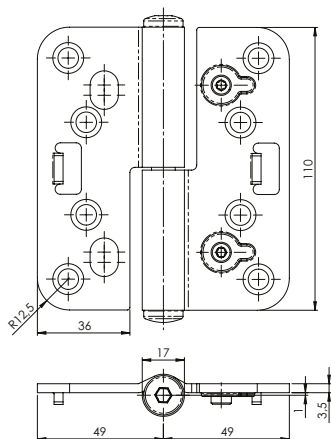
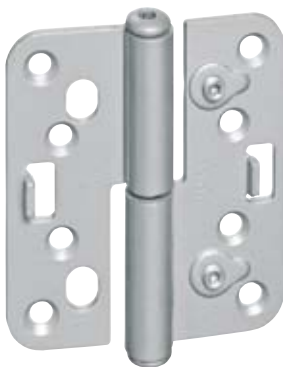
**N3248-110TMKSS**

Material: steel.

Finishes: white, galvanized, brass coloured, silver coloured, galvanized/lacquered, galvanized/yellow lacquered.

N3248-110TMKSS is vertically adjustable $-1/4$ mm, laterally adjustable $+3$ mm and burglary proof.

Journal supported lift-off hinge for non-rebated exterior doors.

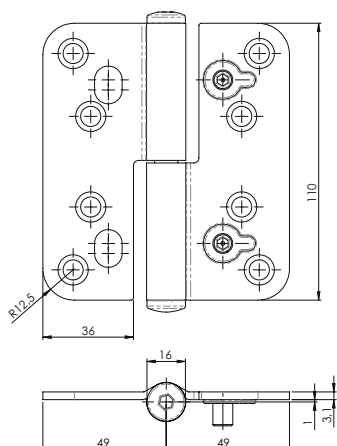
**N3548-110TMKSS**

Material: steel.

Finishes: white, galvanized, brass coloured, silver coloured, galvanized/lacquered, galvanized/yellow lacquered.

N3548-110TMKSS is vertically adjustable $-1/4$ mm, laterally adjustable $+3$ mm and burglary proof.

Journal supported lift-off hinge for non-rebated exterior doors.

**N3248-110TMRKSS**

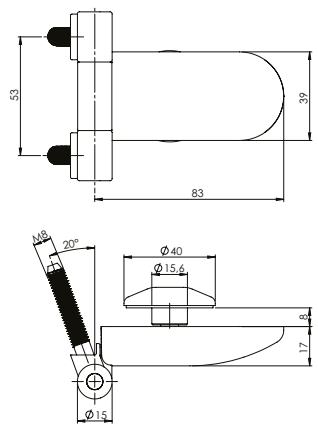
Material: steel.

Finishes: white, galvanized, brass coloured, silver coloured, galvanized/lacquered, galvanized/yellow lacquered.

N3248-110TMRKSS is vertically adjustable $-1/4$ mm, laterally adjustable $+3$ mm and burglary proof.

Journal supported lift-off hinge for non-rebated exterior doors.

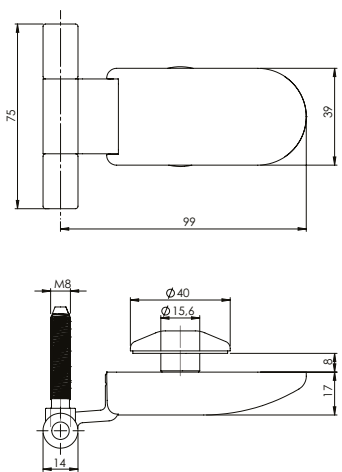
Hinges for glass doors



FL-75PSSD

Material: aluminium.
 Finishes: brass coloured, silver coloured, chrome plated.

FL-75PSSD is laterally adjustable +/- 3 mm.



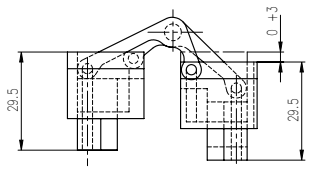
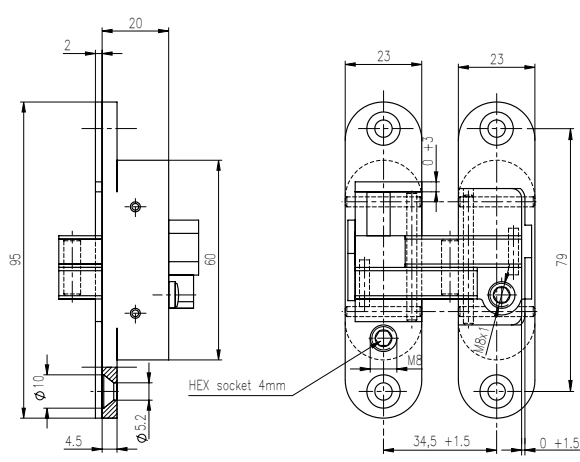
FL-75PSSGD

Material: aluminium.
 Finishes: brass coloured, silver coloured, chrome plated

FL-75PSSGD is laterally adjustable +/- 3 mm.

Free opening of M9 door is 800 mm (FOP hinge)

Concealed hinges

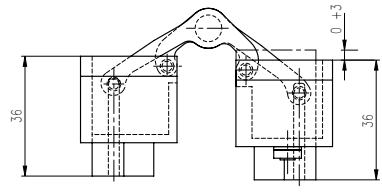
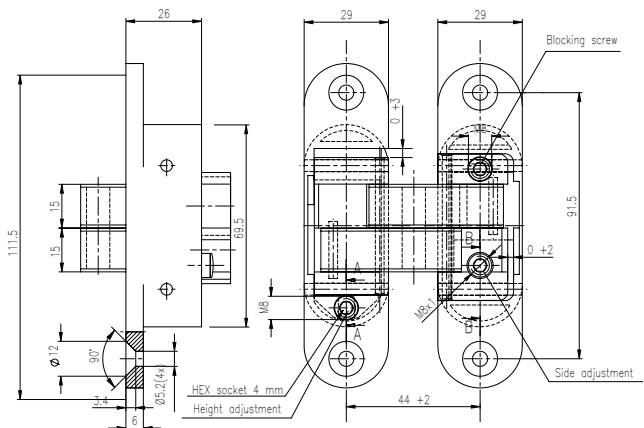


CH-40KSS

Material: zinc.
 Finishes: satin nickel, nickel, brass.

Concealed hinge for non-rebated interior door.

Maximum door weight 40 kg.



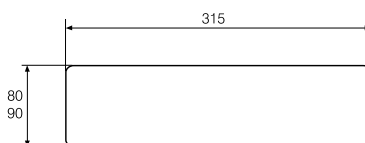
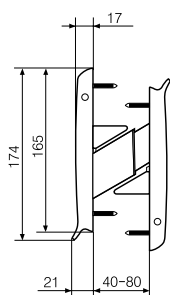
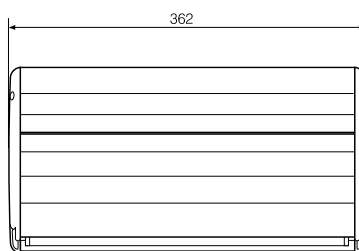
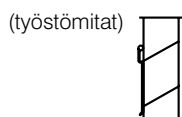
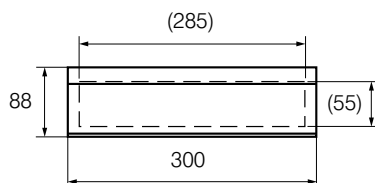
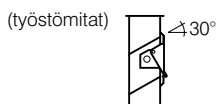
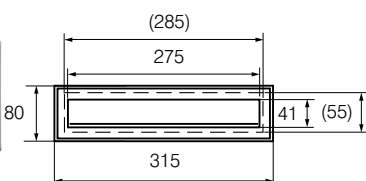
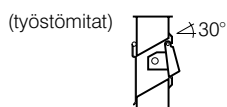
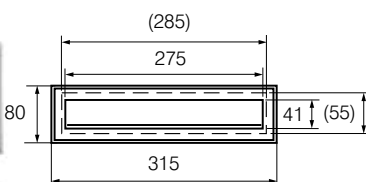
CH-80KSS

Material: zinc.
 Finishes: satin nickel, nickel, brass

Concealed hinge for non-rebated interior door.

Maximum door weight 80 kg.

Letter plates

**Letter plate DF60+63**

Material: stainless steel.

Surface finish: polished.

For use with apartment front doors, as well as on front doors of houses. Includes a name plate, and can also be installed vertically.

Letter plate DF61

Material: stainless steel.

Surface finish: polished.

For use with apartment front doors, as well as on front doors of houses. Can also be installed vertically.

Flap DF63

Material: stainless steel.

Surface finish: polished.

Used in combination with letter plates DF60 and DF61.

Letter plate PRIMO 31

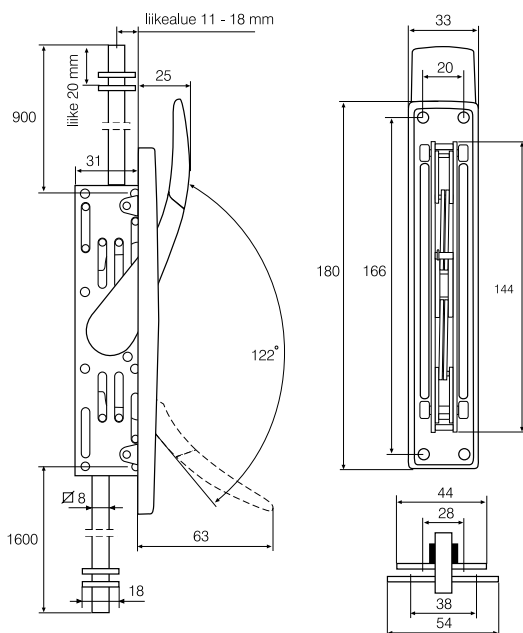
Material: aluminium/plastic.

Finishes: silver-anodized Al/AHO, brass-anodized Al/ME.

Letter plate PRIMO 31 is tested in Finland for EI15 and EI30 –fire doors and dB25, dB30 and dB35 –decibel doors.

Can be used as a replacement for ABLOY® DF60+63 or 464 -letter plates.

Quick bolt



Quick bolt DF3000, DF3001, DF3100 Stainless, DF3101 Stainless

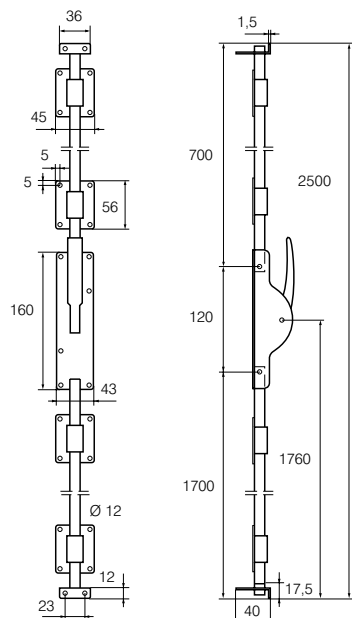
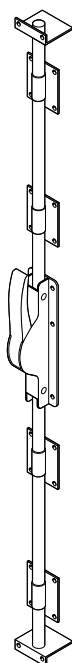
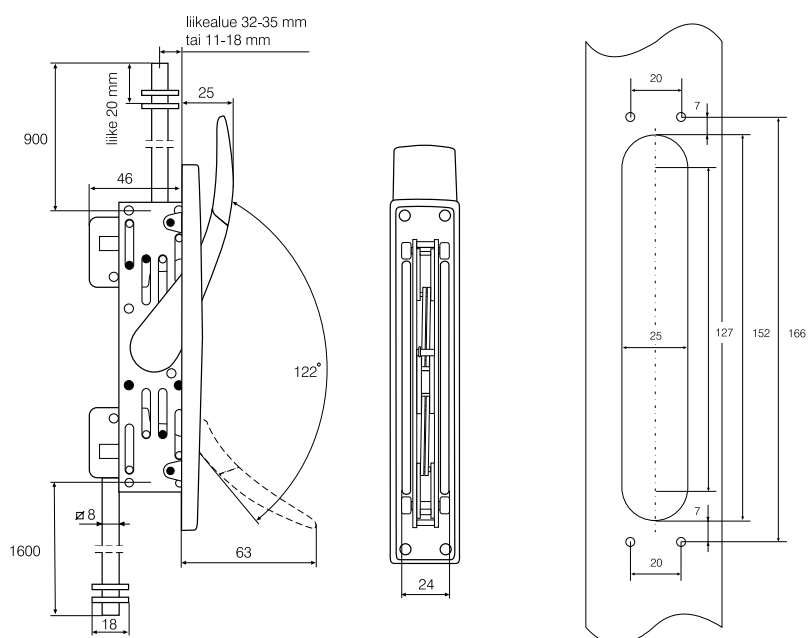
Material: visible parts brass/other parts steel or stainless steel.

Surface finishes: chrome, satin chrome, polished/lacquered.

Quick bolt DF3000 is used for securing the closed half of metal profile and wooden doors without a middle casing. In closed position the bolt opens only by pulling the handle down. A clear sticker instructs the proper use. The bolt has a new quick attachment of locking bars which makes the installation easier. In the basic versions DF3000 ja DF3100 St the position of the locking bars can adjusted 7 mm, 11-18 mm from the surface of the door. The fitting depth of the bolt is only 31 mm.

For certain door profiles special versions DF3001 and DF3101 St are suitable where the fitting depth of the locking bars is 32-35 mm from the door surface. The fitting depth of the bolt is then 46 mm.

The satin-chromed DF3100 and DF3101 bolts made from stainless steel are particularly suitable for humid areas such as on boats or in dairies. All the locking parts of the bolt are made from stainless steel and have satin chromed surface finish.



Quick bolt DF900

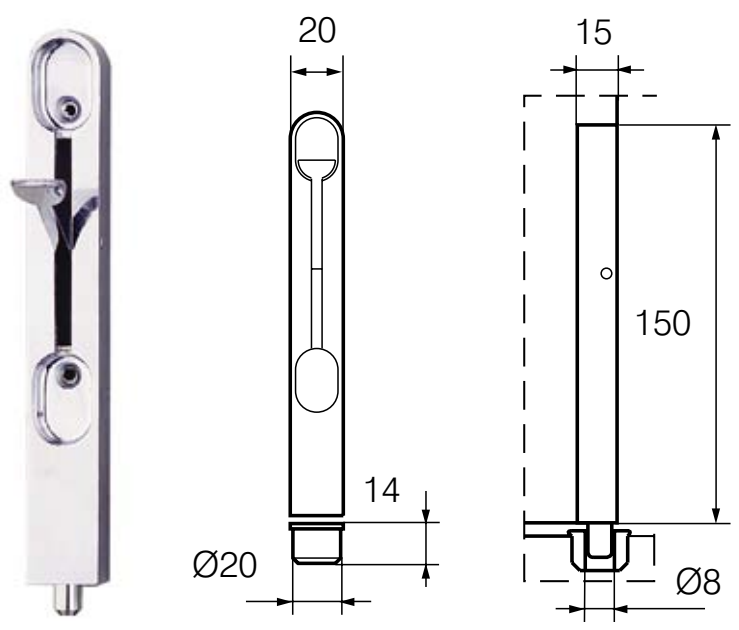
Material: brass.

Surface finishes: polished, chrome.

Surface fitted model with two way function. Used for securing wooden and metal profile double doors.

Wood screws, 2 pcs striker plates, 4 pcs guides included in D.I.Y. packs

Flush bolt



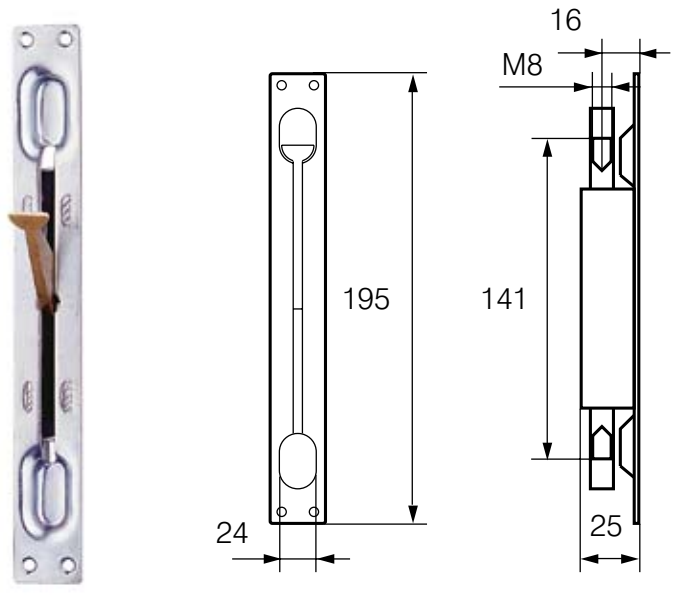
Flush bolt DF849

Material: zinc.

Surface finishes: chromium plated, brass-plated. Flush fitting model.

For use with wooden double doors to secure the closed half of the door, 2 pcs/door.

Adjustable striker plate is plastic.



Flush bolt DF330

Material: steel.

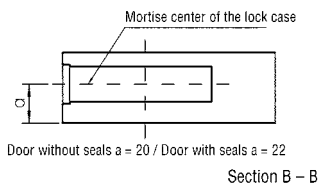
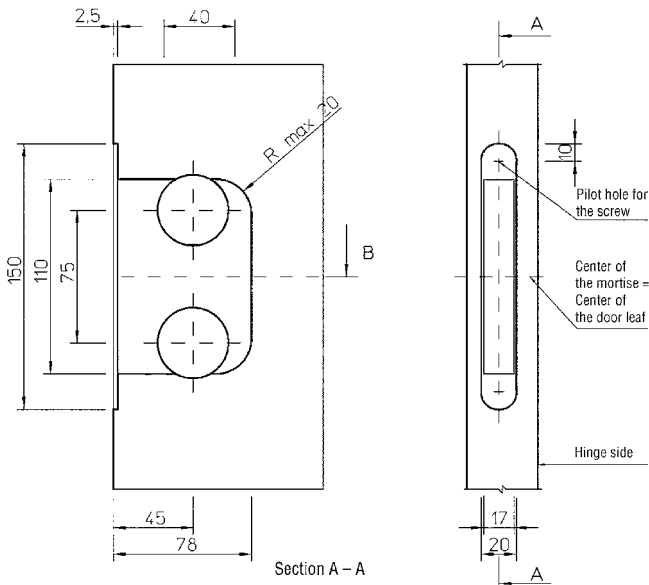
Surface finish: galvanized.

Flush fitting model with two-way function; rods are fitted to the bolt with M8 threading (rods not included in delivery).

Used for bolting metal profile double doors, 1 pc/door.

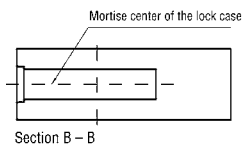
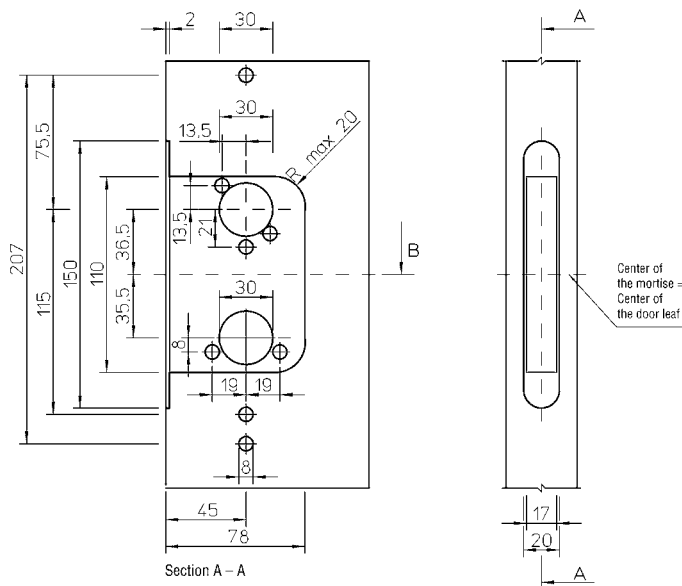
Locks for interior doors

SFS 5210
 SS 81 73 82
 2011, 2014, 2016, 2020, 2040, 4238, 4249, 4260,
 4570, 9456

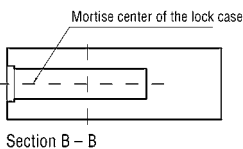
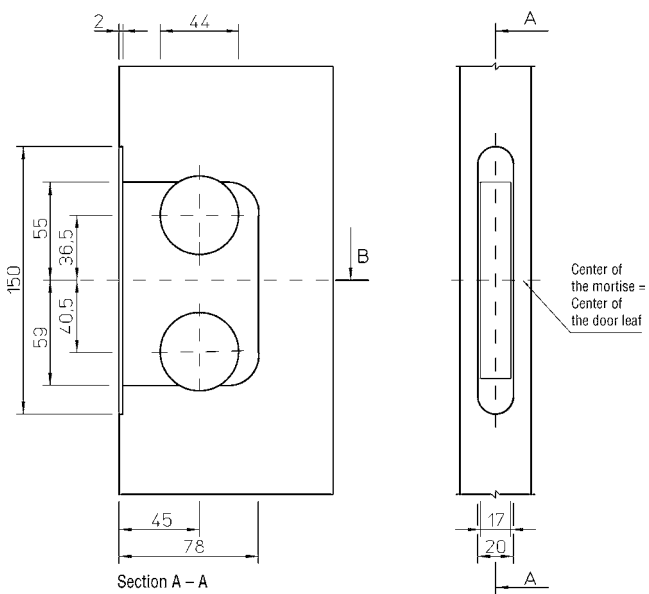


When 7640 cover plate is used with locks 2025 it is recommended to make the mortise for the forend 3 mm deep.

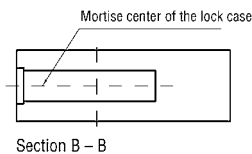
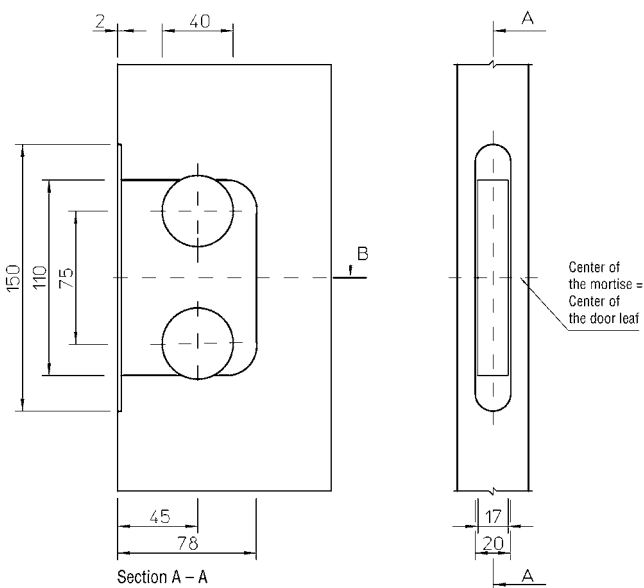
2011, 2014, 2040 with DIN fittings



2018 with ABLOY® 001PZ fittings



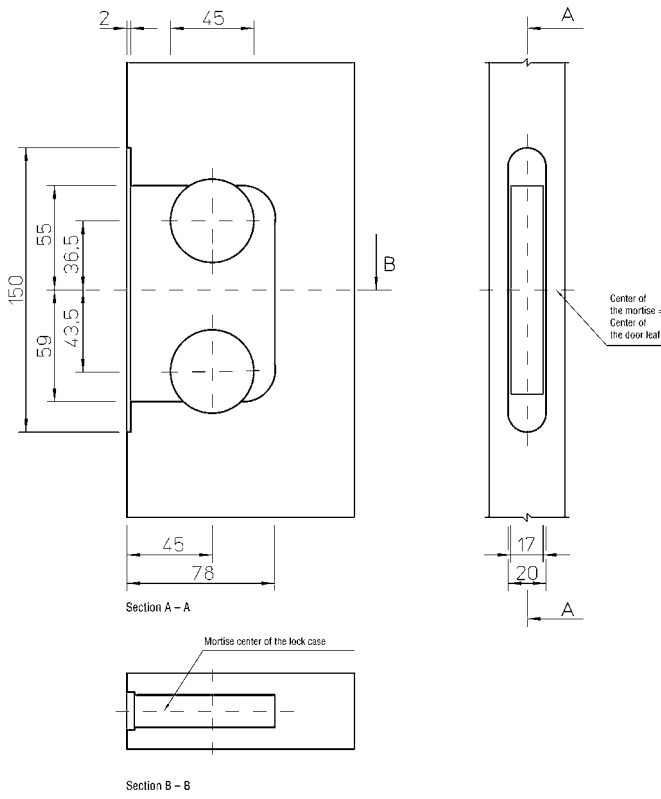
2018 with normal standard fittings



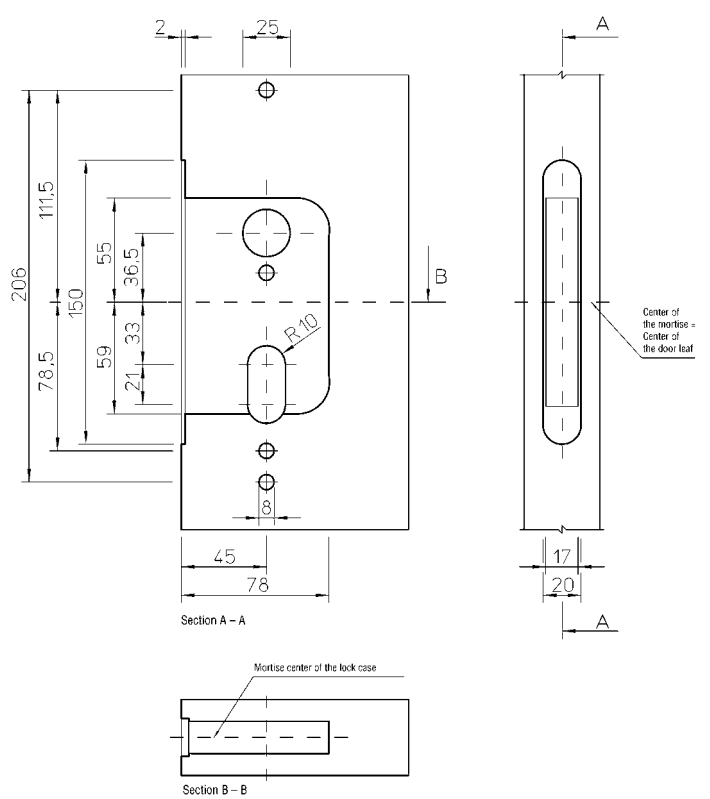
The mortise measures are normative.

Locks for interior doors

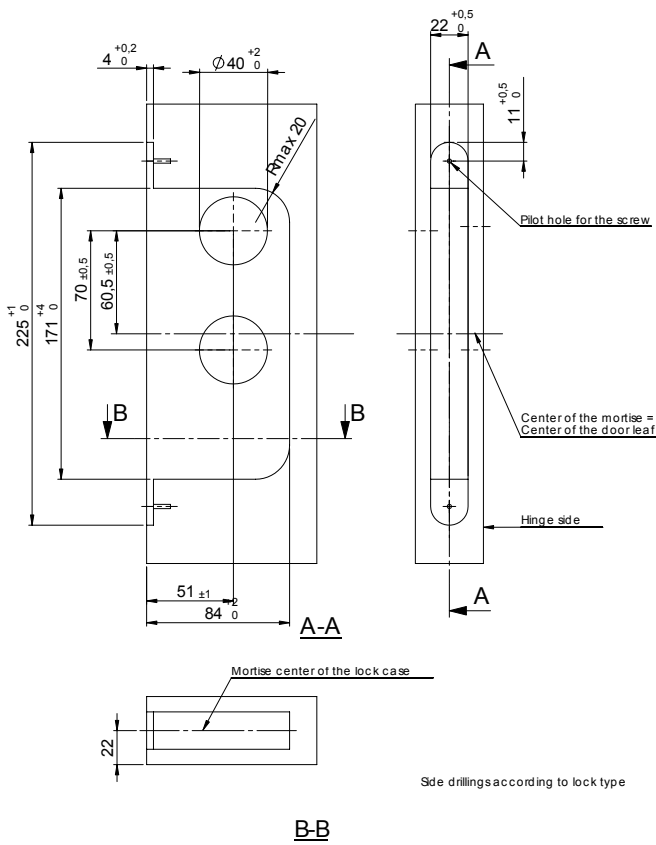
2018 with ABLOY® 004PZ fittings



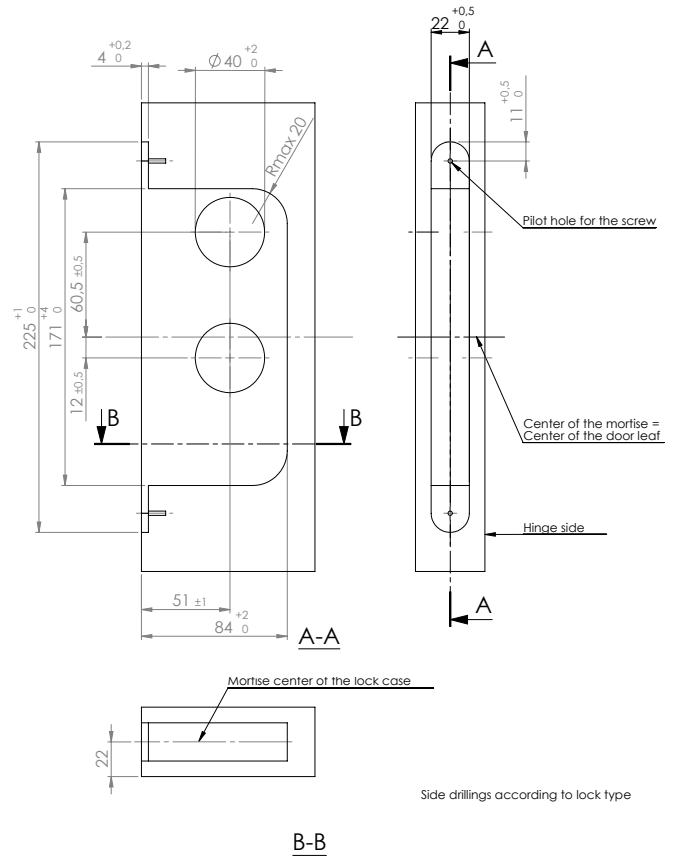
2018 with ABLOY® 010PZ fittings



LC291

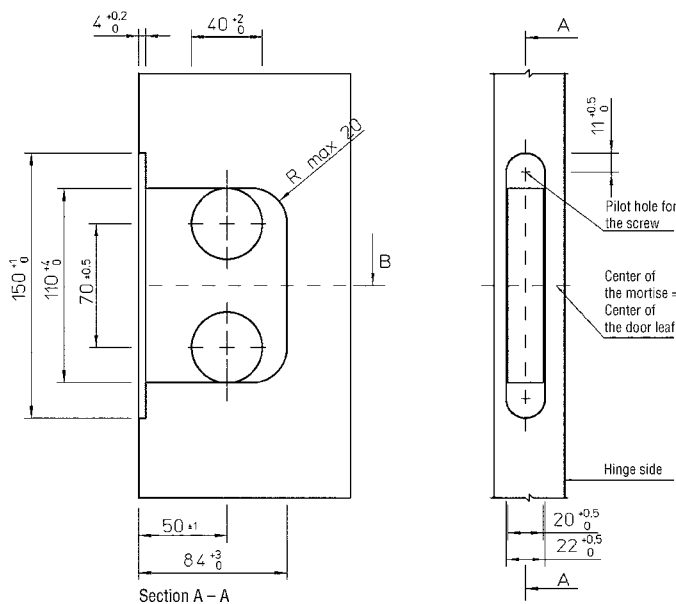


LC291 asymmetrical mortise

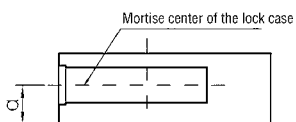


Locks for interior doors

4291

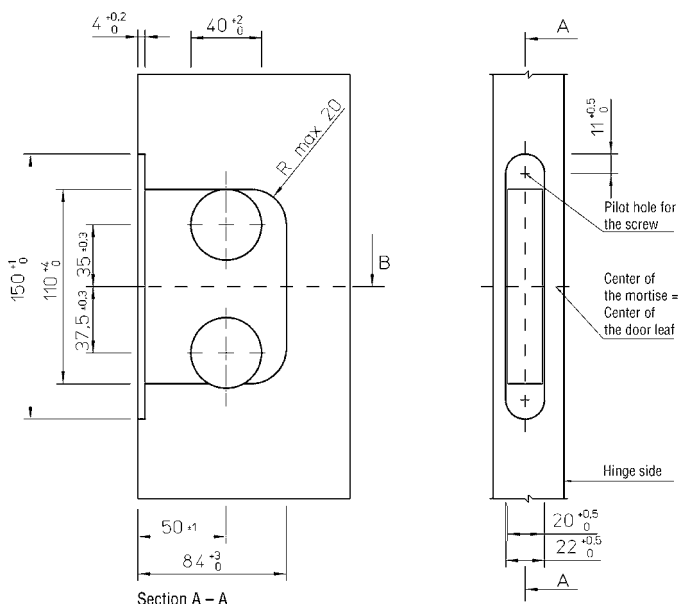


Section A - A

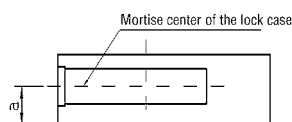


Door without seals a = 20 +0,5 / Door with seals a = 22 +0,5
Section B - B

4291 asymmetrical mortise



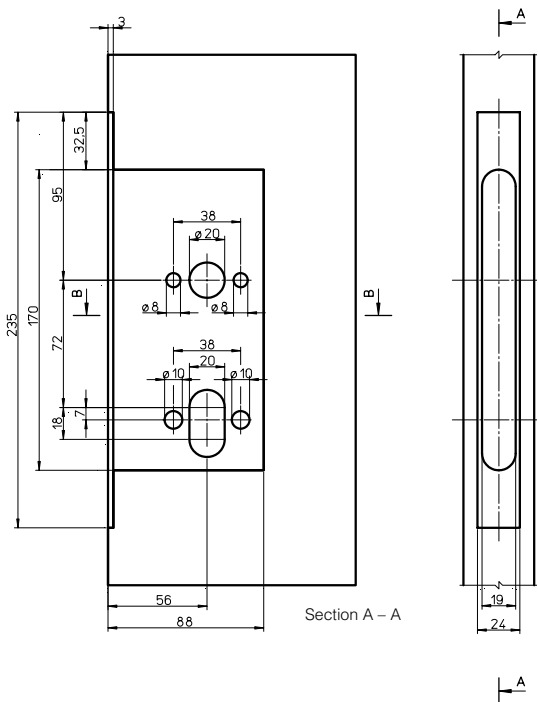
Section A - A



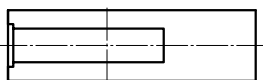
Door without seals a = 20 +0,5 / Door with seals a = 22 +0,5
Section B - B

The mortise must be asymmetrical if a separate additional lever handle spring is used.

4202

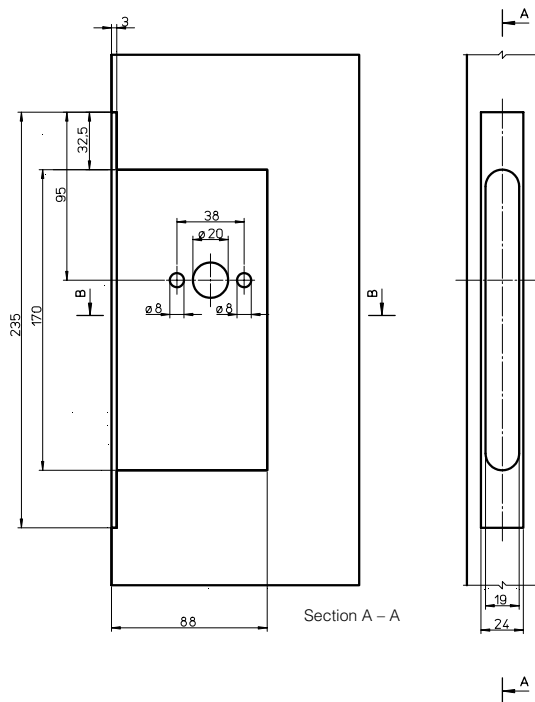


Section A - A

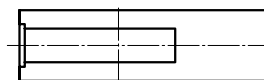


Section B - B

4203



Section A - A

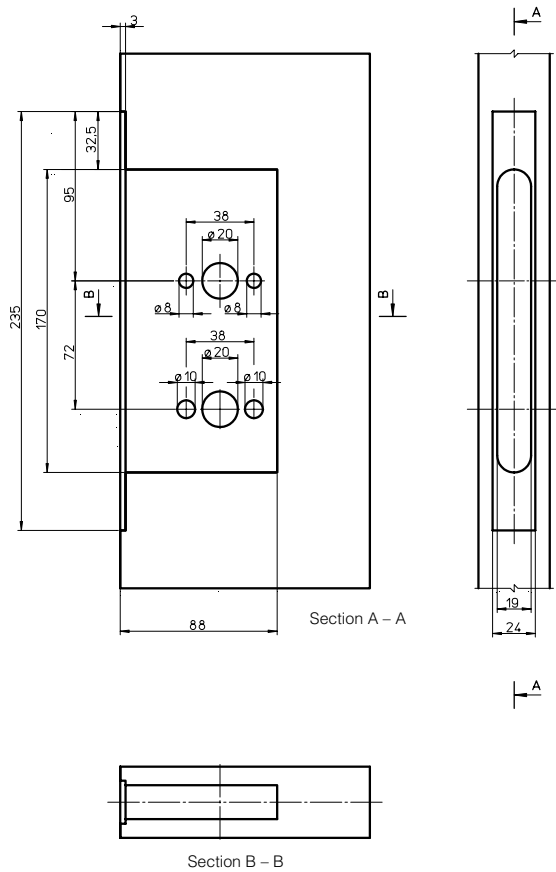


Section B - B

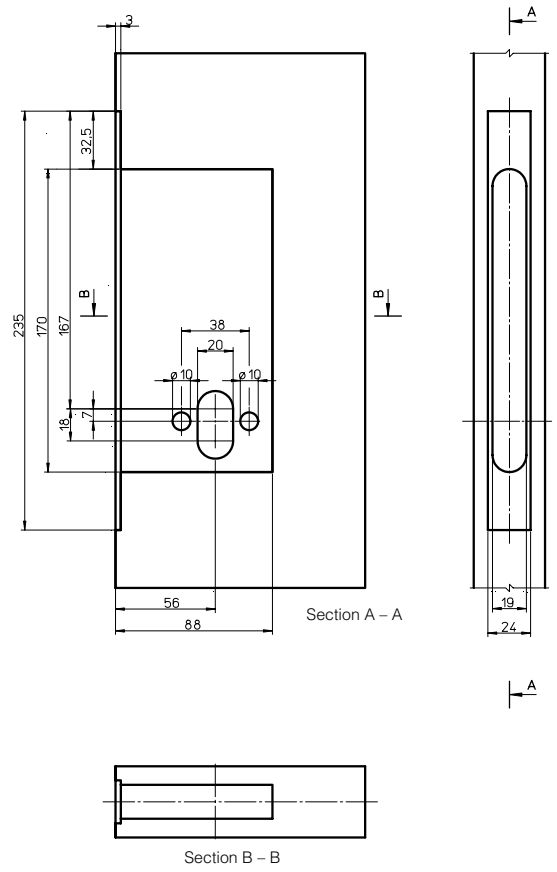
The mortise measures are normative.

Lock cases for wooden / steel doors

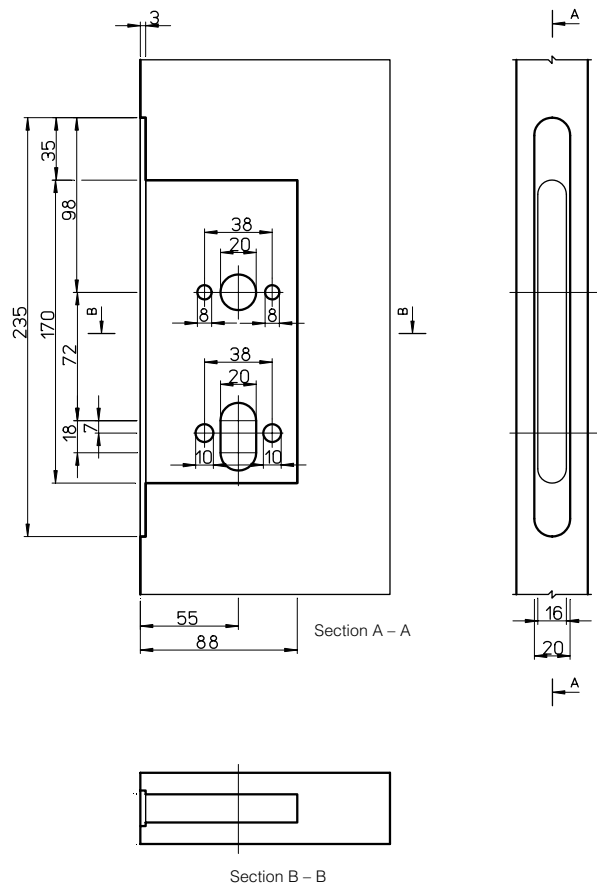
4207



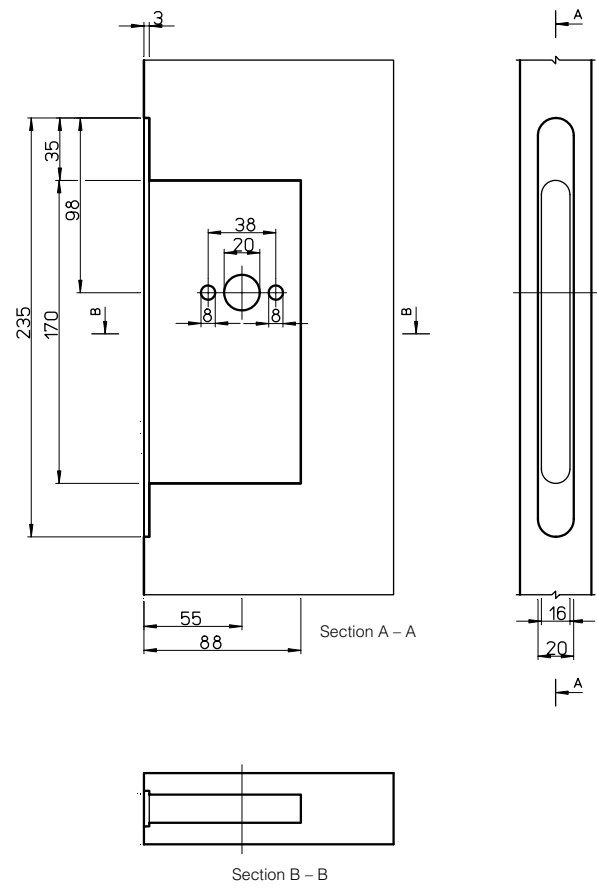
4208



4292

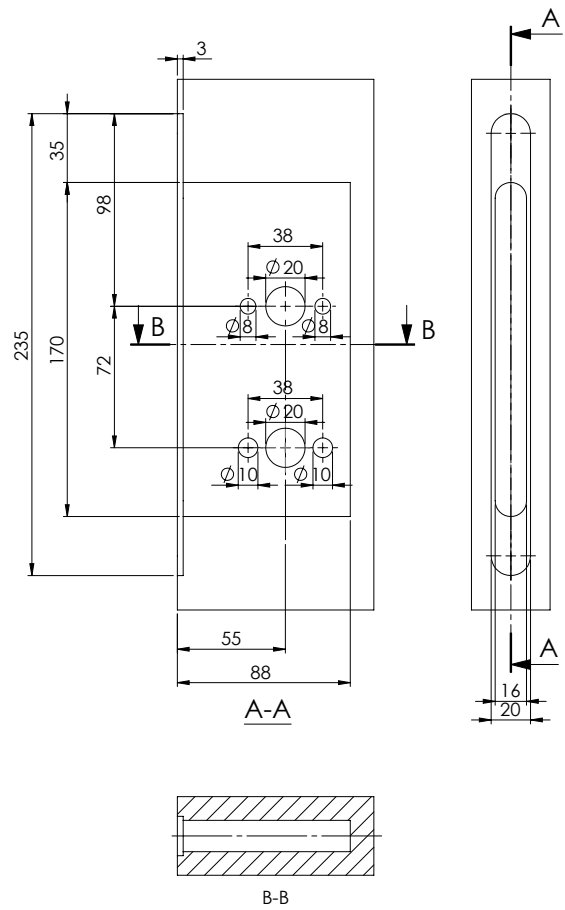


4293

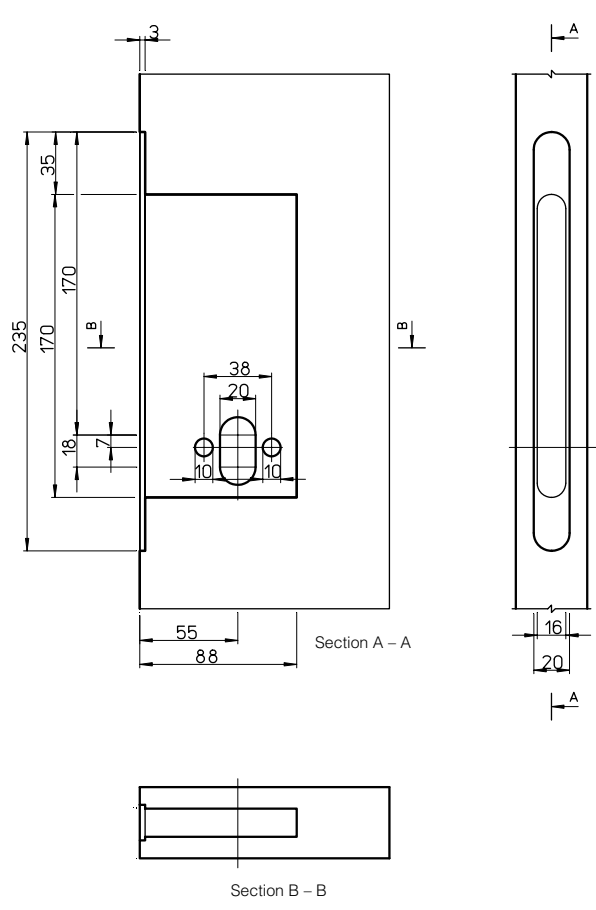


Lock cases for wooden / steel doors

4297

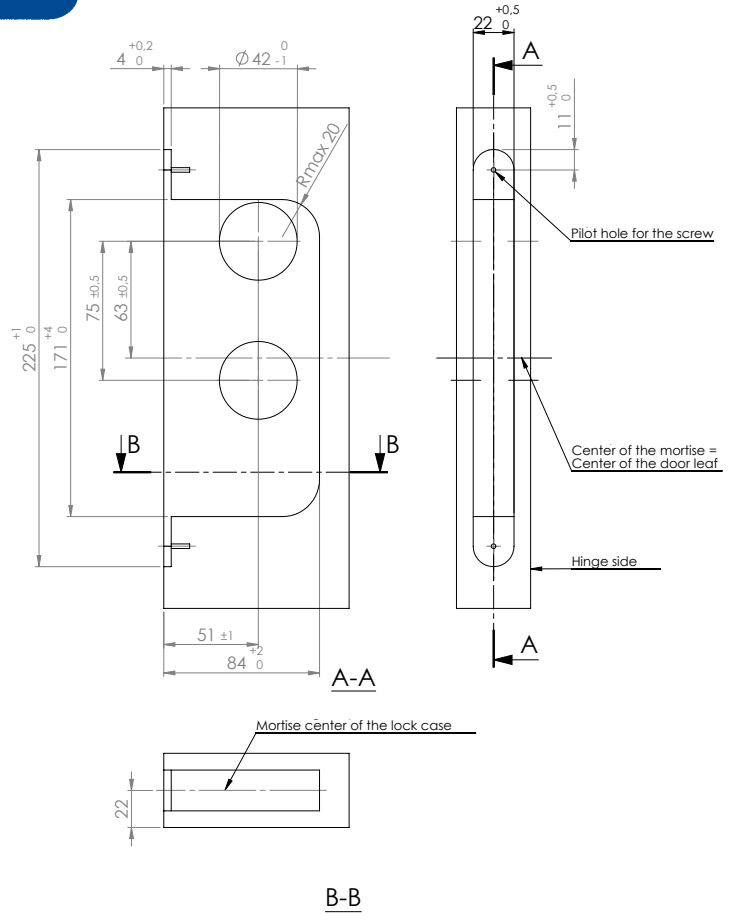


4298



OneFit-mortise

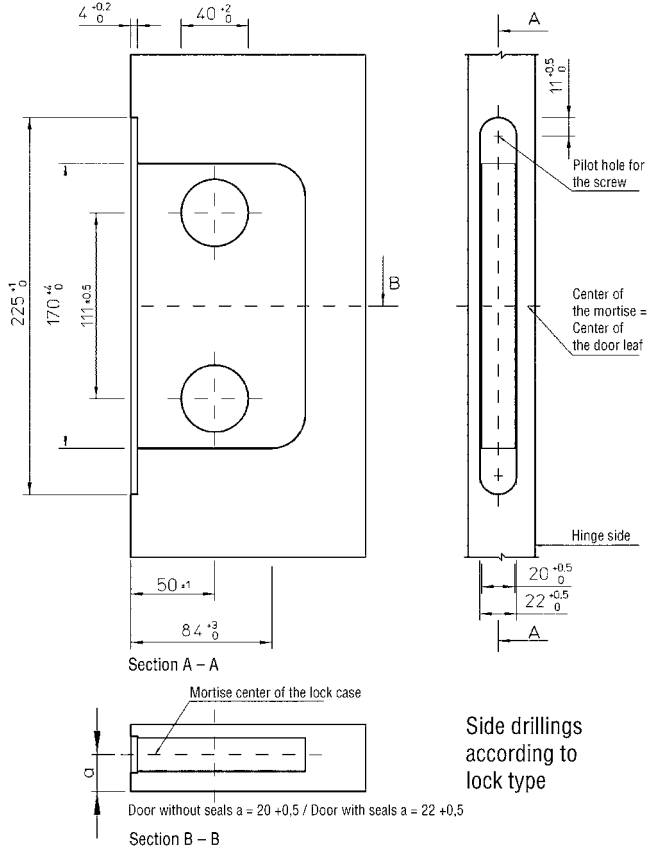
- LC190, LC193, LC194,
LC195, LC197
- LC290, LC960
- LC102
- LE180, LE181; LE183,
LE184; LE185, LE186



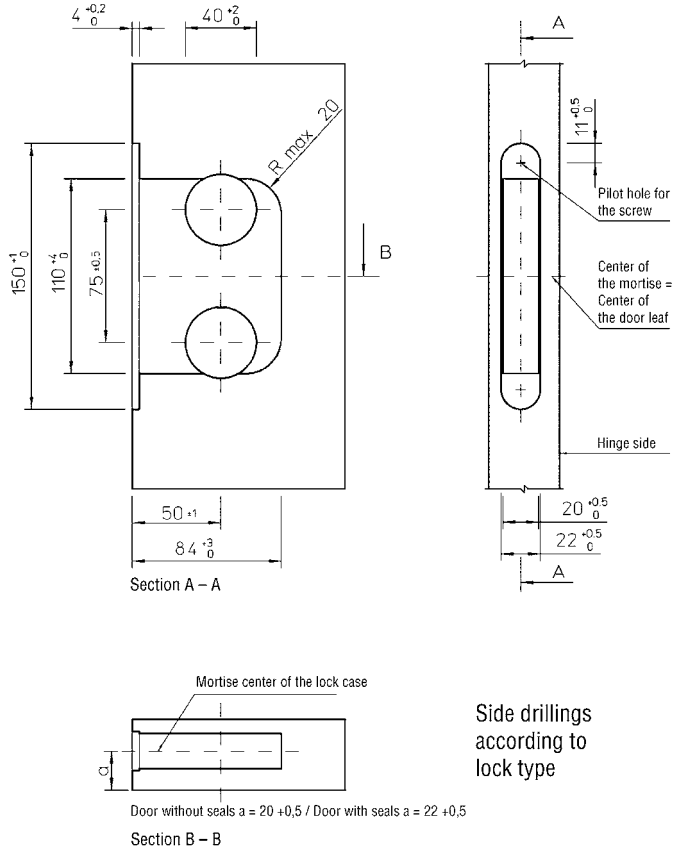
The mortise measures are normative.

Lock cases for wooden / steel doors

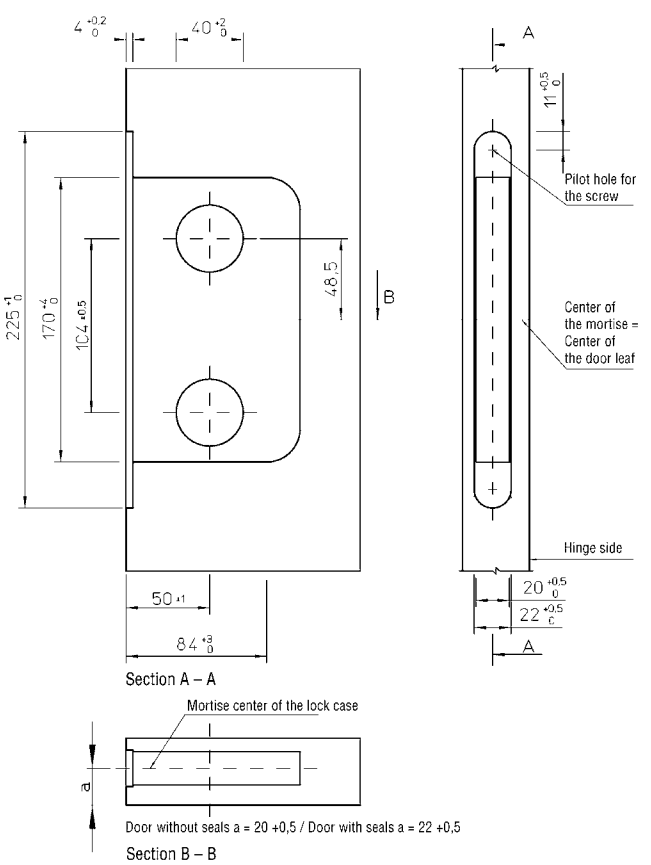
SFS 5208, SS 81 73 83
 LC200, LC202, LC203, LC204, LC205, LC206, LC208,
 LC209, LC209A, LC210, LC211, 4181, 4865



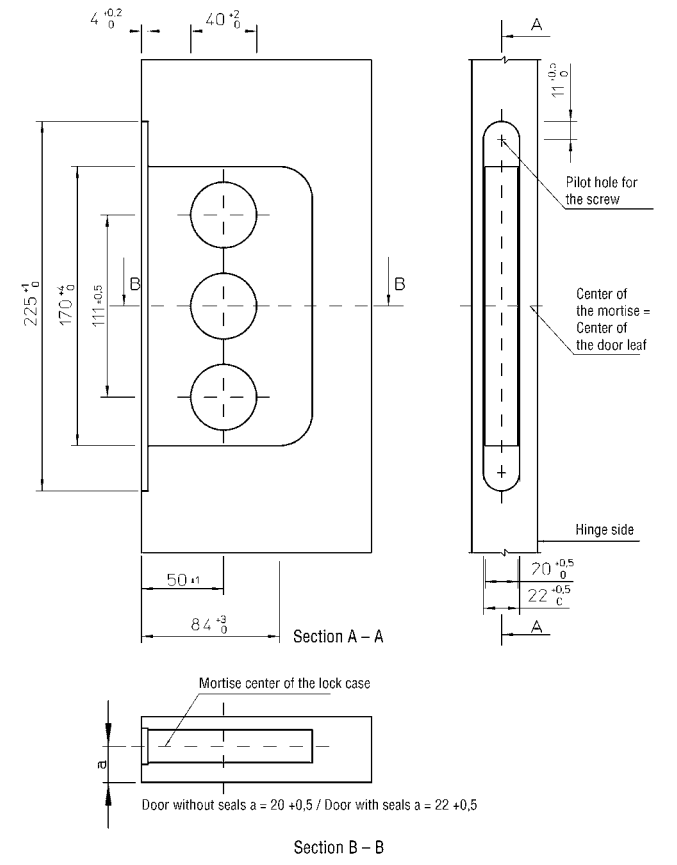
SFS 5209
 LC100, 4190, 4190T, 4194, 4195, 4195T, 4197,
 4290, 4960, E4190, E4194, E4195



ABLOY® LC200 with wc fittings

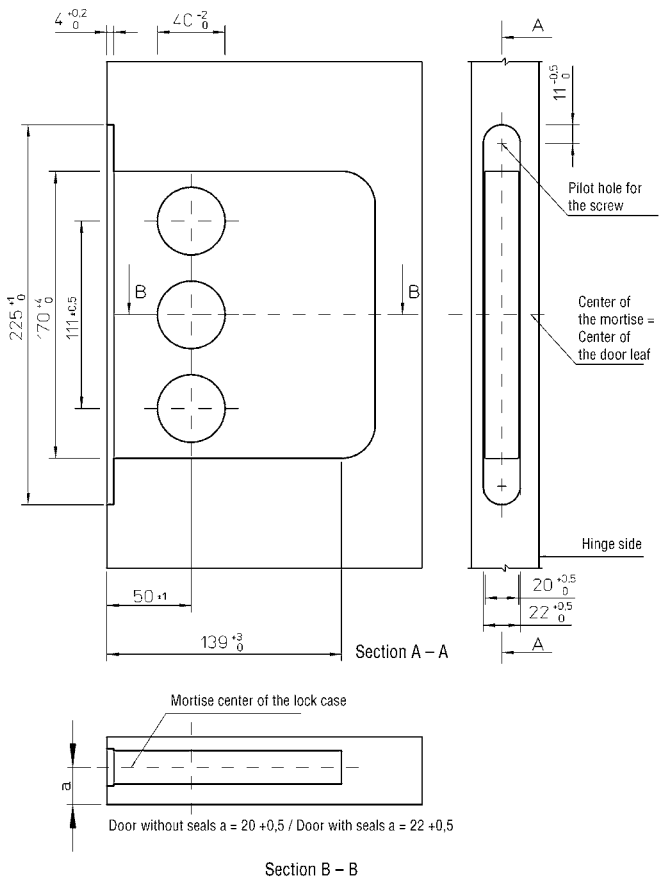


451S

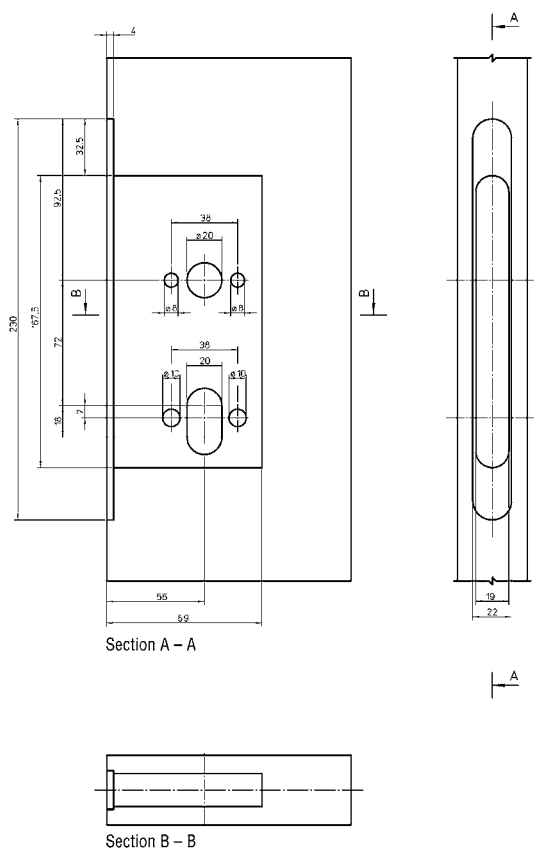


Lock cases for wooden / steel doors

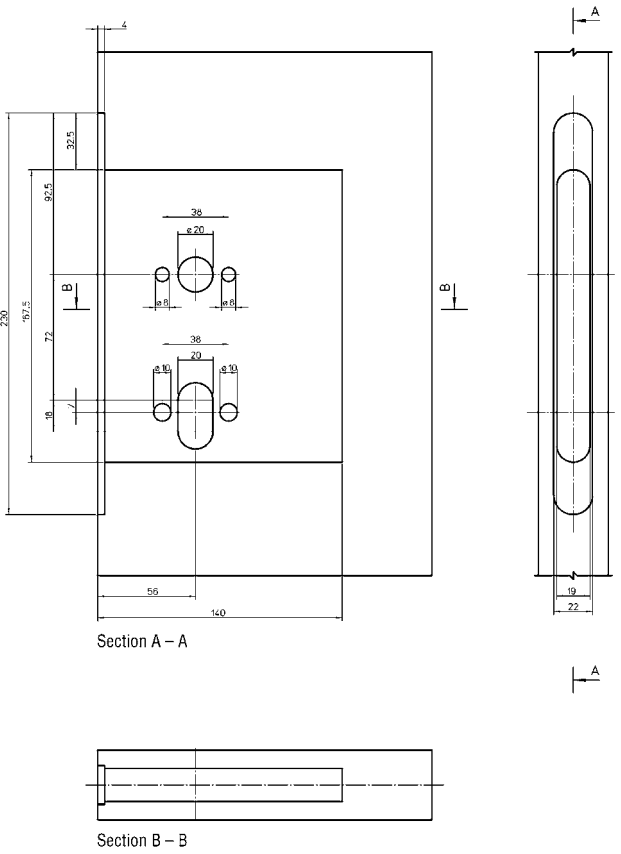
451SMP



4272



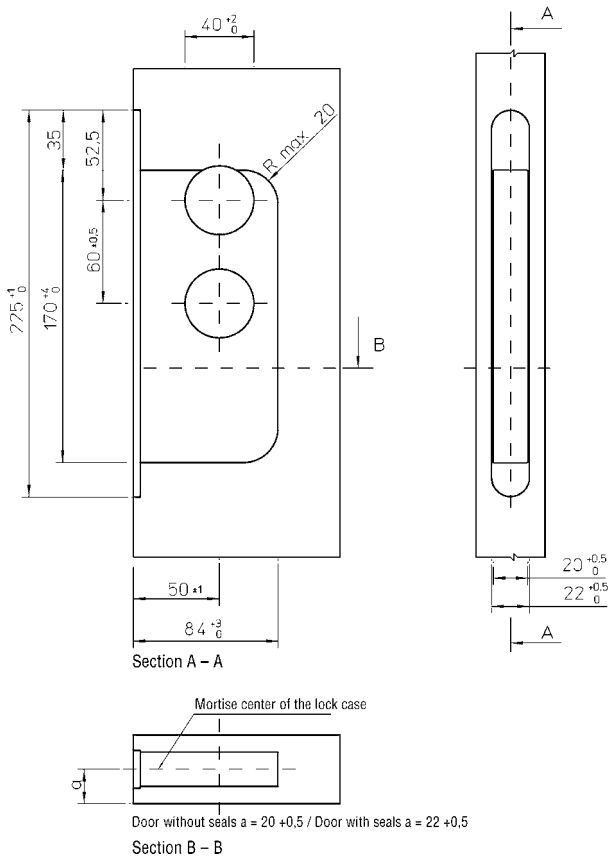
4272MP



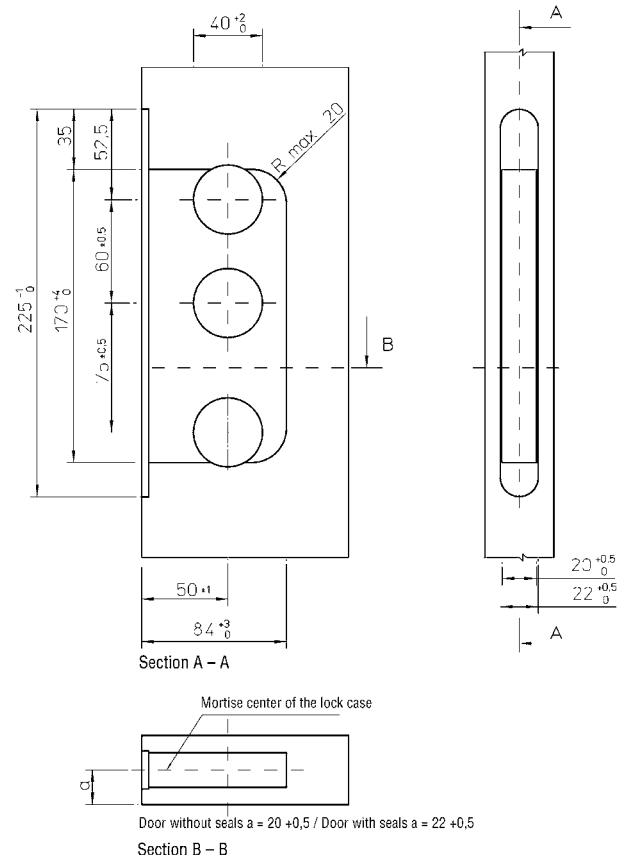
The mortise measures are normative.

Double cylinder lock cases for wooden / steel doors

LC120, LC122, LC125, LC127

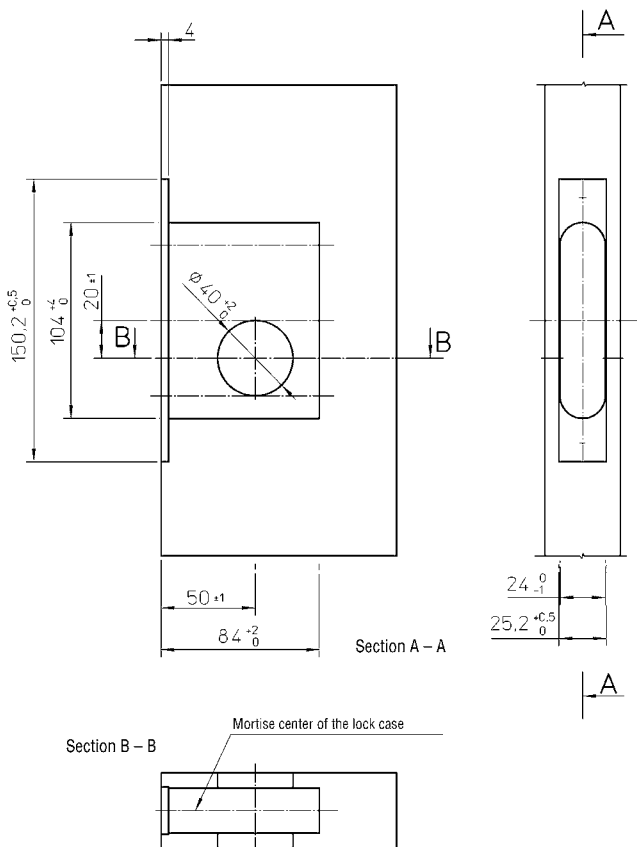


LC121, LC121T, LC123

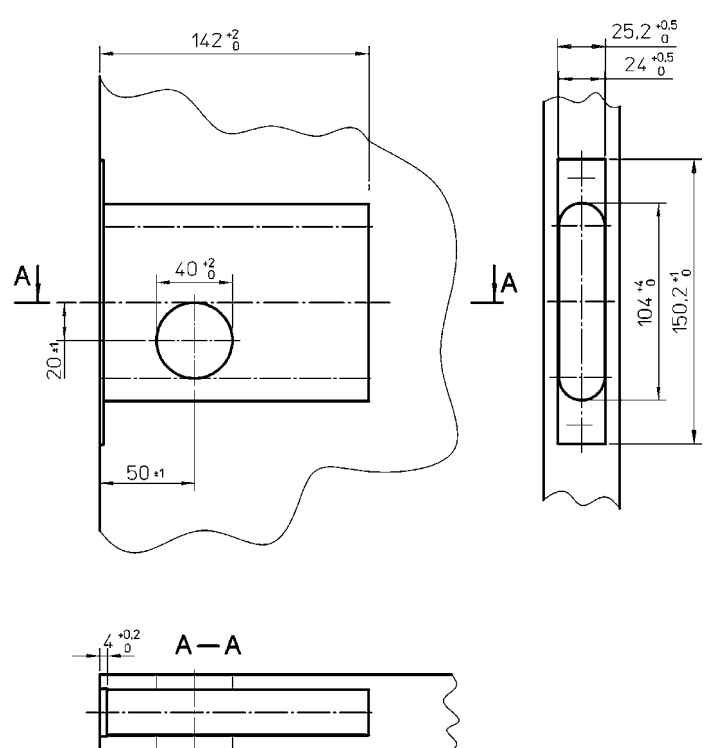


Security and additional locks for wooden/steel doors

SL905, SL928, 428

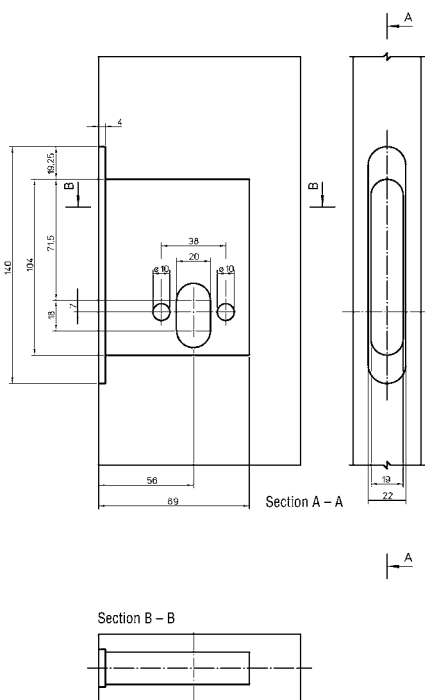


SL905MP, SL928MP

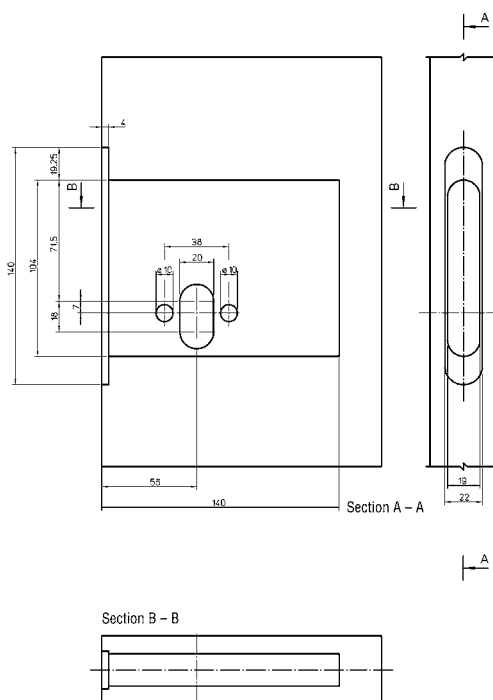


Security and additional locks for wooden/steel doors

4232



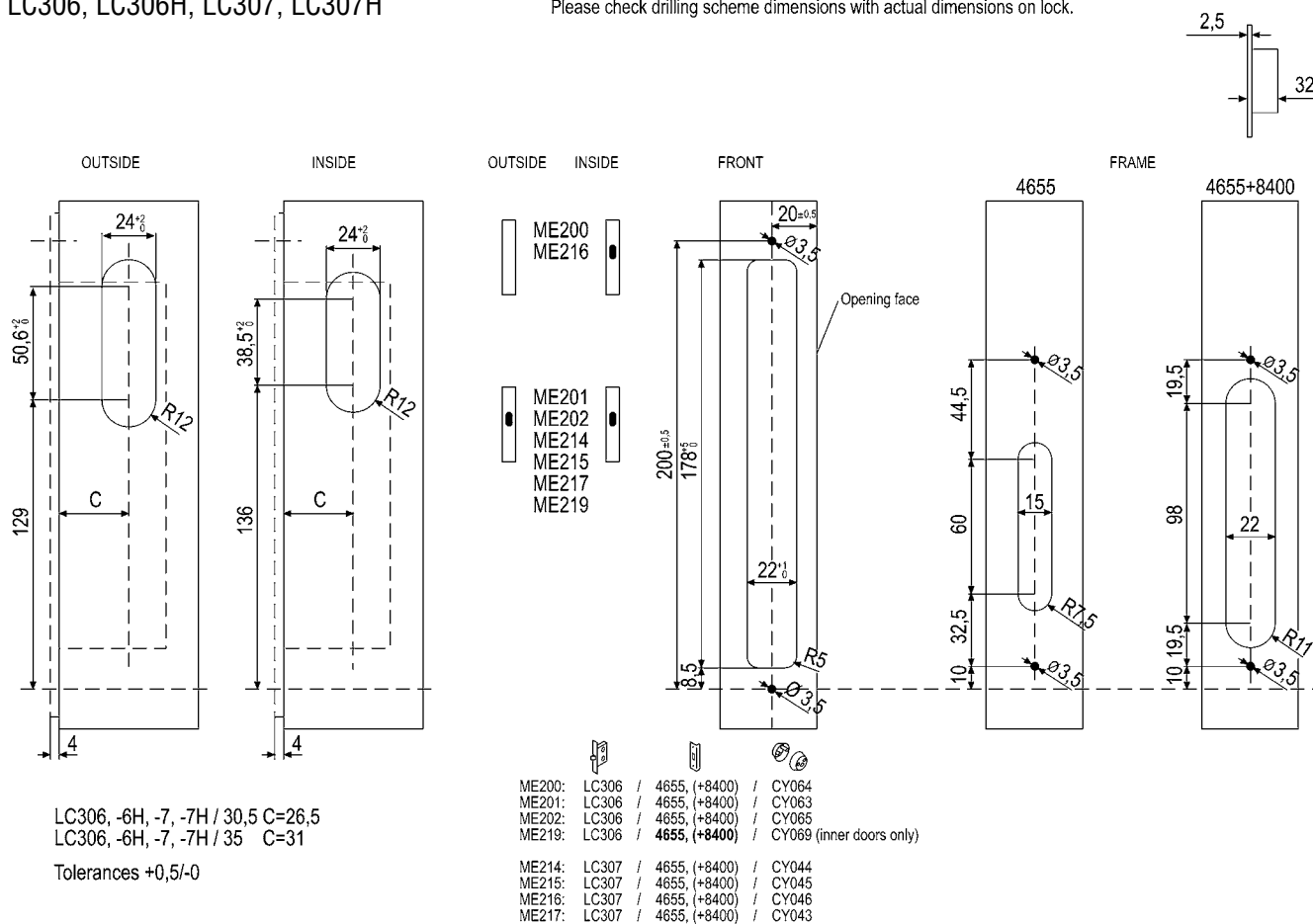
4232MP



Security locks for narrow profile doors

LC306, LC306H, LC307, LC307H

Please check drilling scheme dimensions with actual dimensions on lock.



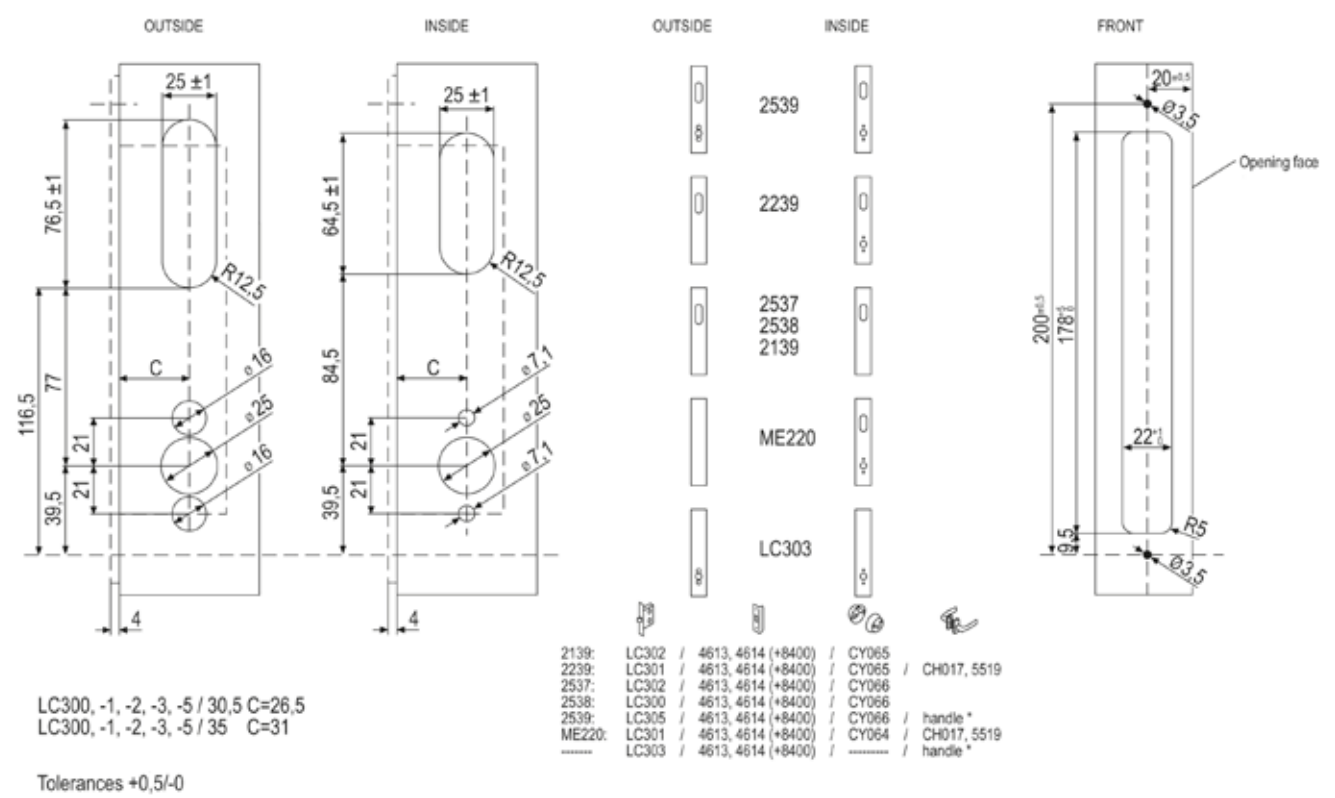
LC306, -6H, -7, -7H / 30,5 C=26,5
LC306, -6H, -7, -7H / 35 C=31
Tolerances +0,5/-0

The mortise measures are normative.

Lock cases for narrow profile doors

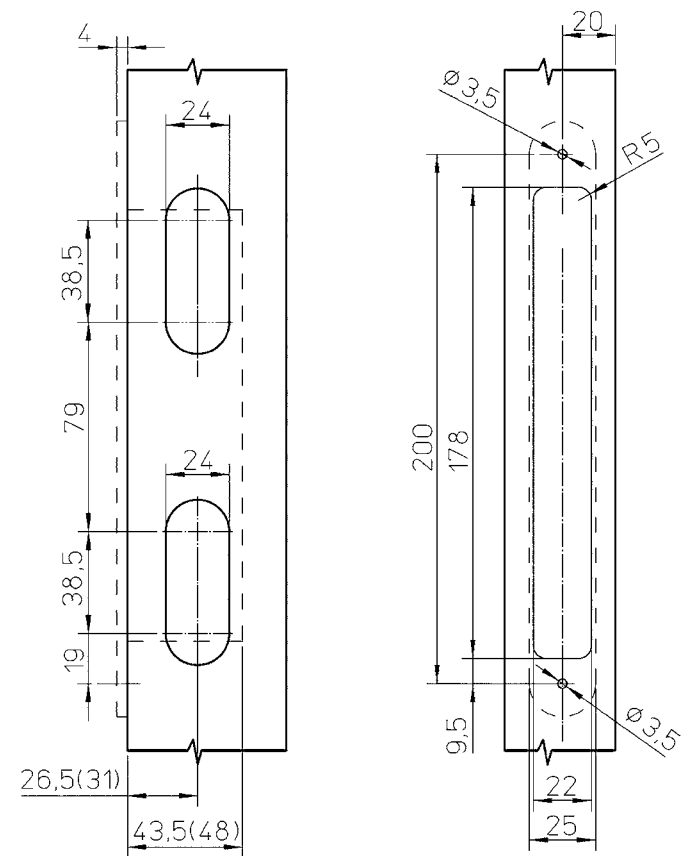
LC300, LC301, LC301F,
LC302, LC303, LC305

Please check drilling scheme dimensions with actual dimensions on lock.



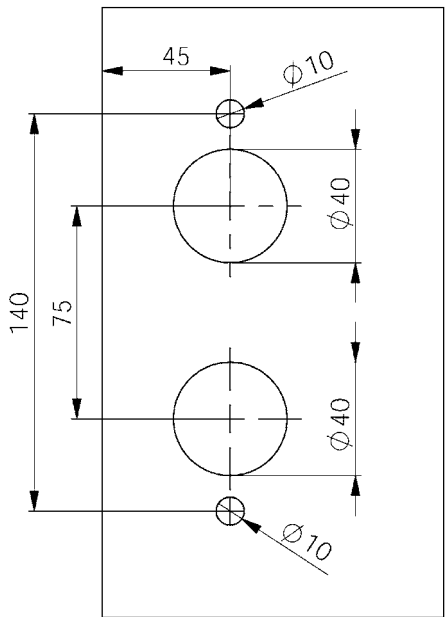
Double cylinder lock cases for narrow profile doors

LC130, LC131, LC132

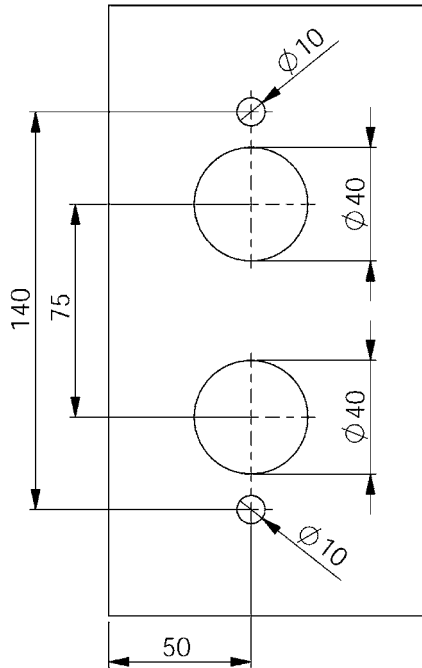


Installation box

2050

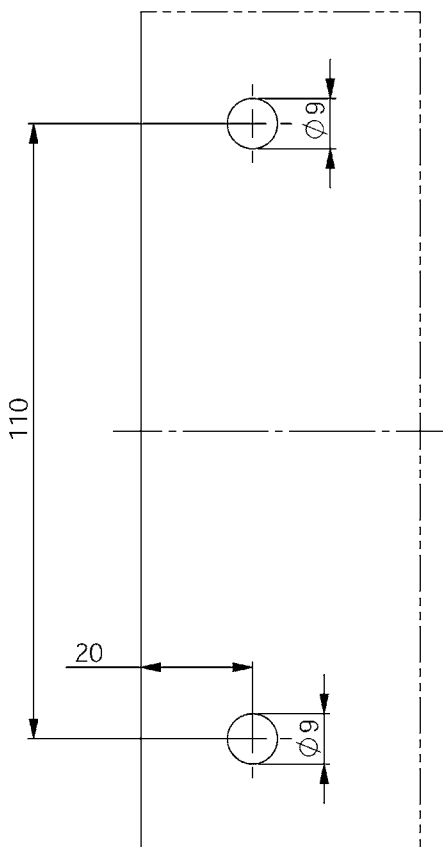


2051

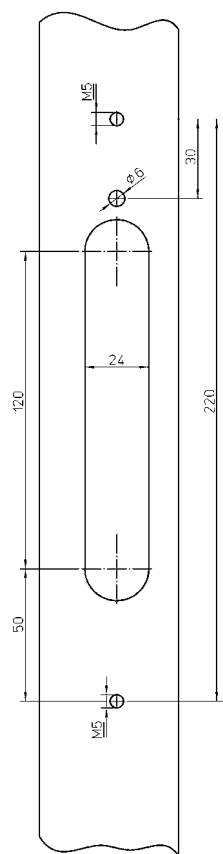


Striker plates

0050, 0051, 0052



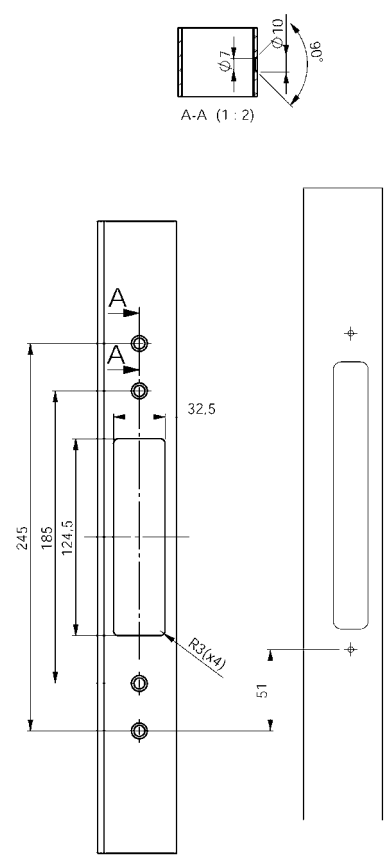
LP707



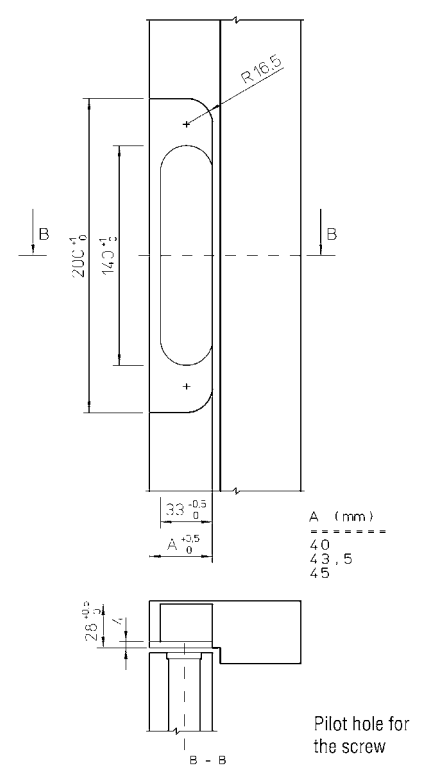
The mortise measures are normative.

Striker plates

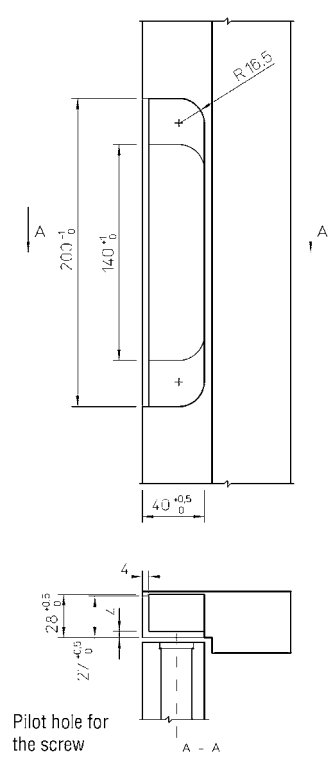
LP708



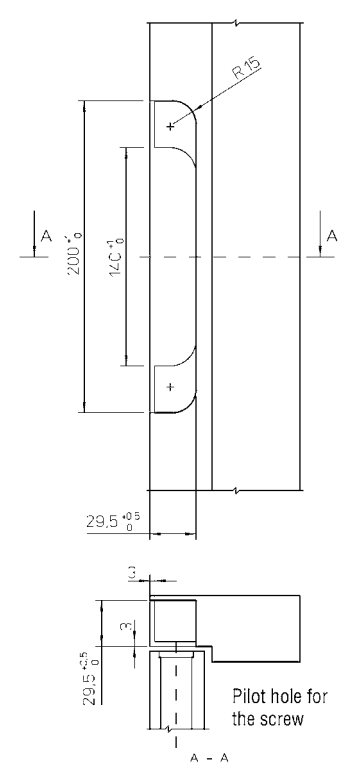
LP710, LP711, LP712, LP713, LP714, LP717, LP718, LP719, LP719I



LP721, LP722, LP723

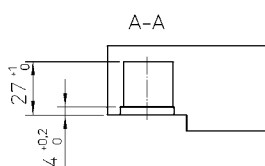
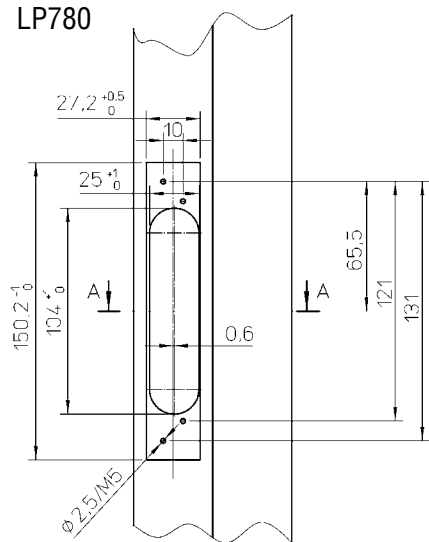


LP731, LP732



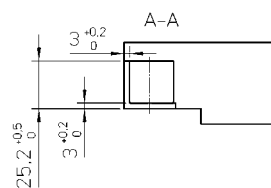
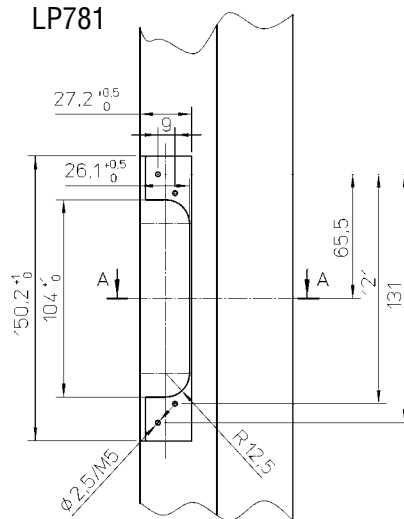
Striker plates

LP780



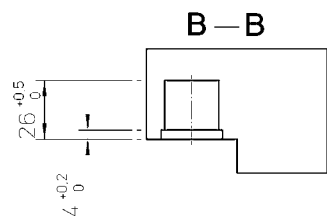
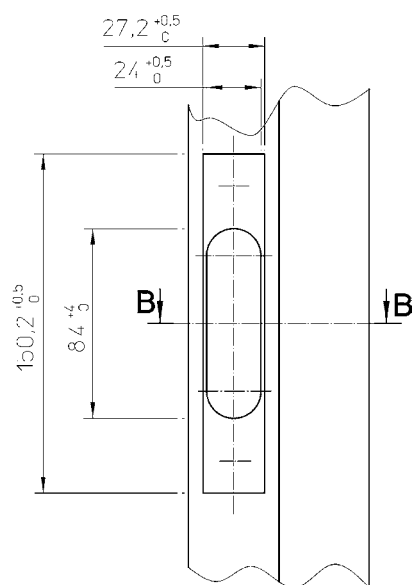
The striker plate will be placed symmetrically in relation to the forend of the lock case in vertical and horizontal directions.

LP781

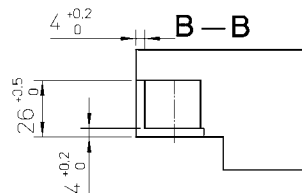
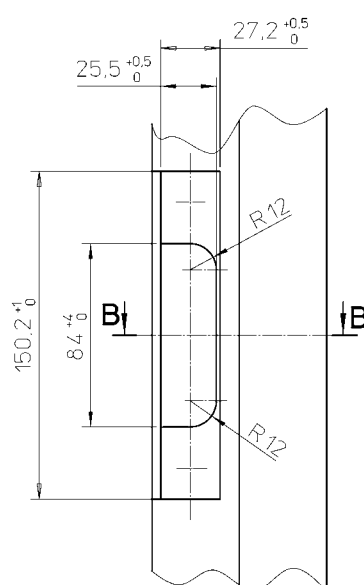


The striker plate will be placed symmetrically in relation to the forend of the lock case in vertical and horizontal directions.

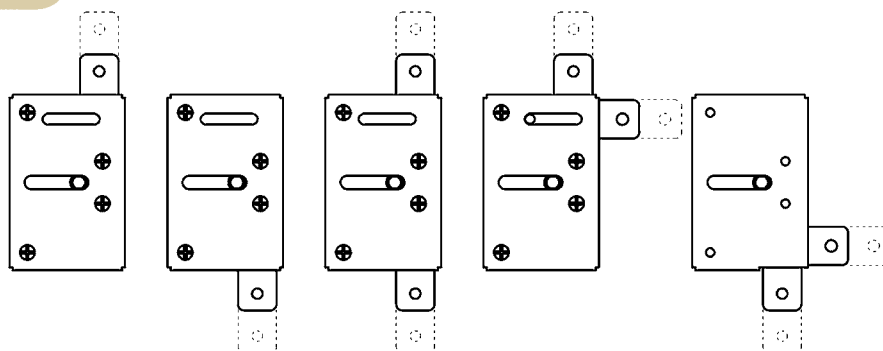
0036



0065



Multipoint locking applications



The mortise measures are normative.



www.abloy.com

Abloy Oy Björkboda factory
25860 BJÖRKBODA, Finland
Tel. + 358 20 599 4402
+ 358 20 599 4436
Fax + 358 20 599 4249
+ 358 20 599 4117

