

Convenience, High security, High durability - Europrofile handle controlled locks

APPLICATIONS

The locks are recommended to be used in interior doors of business premises, public buildings, hospitals, educational premises etc. Typical applications are the doors of:

- Offices
- Meeting rooms
- Storage rooms
- Technical maintenance rooms
- Consulting rooms
- Fire doors (medium traffic)



ABLOY® EL560 and **ABLOY® EL561** are used in wooden and metal doors. **ABLOY® EL460** and **ABLOY® EL461** are used in narrow profile doors. EL560 or EL460 with split spindle is chosen, when exit by handle is needed. EL561 or EL461 is used, when both access and exit are electrically controlled.

Handle controlled locks are best suited in medium traffic doors. The locks can be electrically controlled by access control system or by a remote control system such as timer, keypad or push button.

The locks can be used both in exit and fire rated doors (EN). The locks are not suitable for use with door automatics.

Also available:

- Microswitch locks
EL360 for wooden and metal doors
EL260 for narrow profile doors
- Mechanical locks
EL160 for wooden and metal doors
EL060 for narrow profile doors

Also available lock cases for Swiss cylinder (RZ):

- EL562 (split spindle), EL563 (through spindle) for wooden and metal doors
- EL462 (split spindle), EL463 (through spindle) for narrow profile doors
- EL362 microswitch lock for wooden and metal doors
- EL262 microswitch lock for narrow profile doors
- EL162 mechanical lock for wooden and metal doors
- EL062 mechanical lock for narrow profile doors

FUNCTION

Handle controlled locks can be set to function as fail locked or as fail unlocked. In the fail locked setting, the lock can be opened by controlled handle when power is on, and it can not be opened by controlled handle, when power is off. In the fail unlocked setting, the electrical function is the opposite.

ABLOY® EL560 and **ABLOY® EL460**

Only outside handle is electrically controlled. The lock can always be opened by inside handle. Mechanical opening by cylinder is always possible.

ABLOY® EL561 and **ABLOY® EL461**

Both inside and outside handles are electrically controlled. Mechanical opening by cylinder or thumbturn is always possible.

STANDARDS

EN STANDARDS
EN 179
EN 1125
EN 1634-1
EN 61000-6-1
EN 61000-6-3
EN 14846

Exit
Panic exit
Fire resistance
EMC
EMC
Electric locks

LOCAL STANDARDS
NEN 5089:1995

SKG, mechanical strength and burglary resistance

GOST-R
Abloy lock cases are always tested according to the latest versions of the standards.

STANDARD DELIVERY

- Standard delivery includes:
- Lock case is delivered as fail locked
 - Fixing screws
 - Spindle adapters
 - Lock case manual

Please specify when ordering:

- Lock type
- Backset
- Forend
- Strike plate
- Split spindle EA288 or EA289 (EL460 and EL560)

TECHNICAL DETAILS

Operating voltage: 12 – 24 V DC STAB (-10%, +15%)
Current: Max. 0.55 A (12V DC), 0.27 A (24V DC)
Idle 0.24 A (12V DC), 0.13 A (24V DC)

Microswitches: Max. 0.5 A 30 V AC/DC resist, 10 W
Operating temperature: -20°C - +60°C

Bolt throw: 20 mm (deadbolt), 10 mm (double action bolt)

Backset: 55, 60, 65, 80, 100 mm (EL560, EL561)
30, 35, 40, 45 mm (EL460, EL461)

Forend: 20, 24 mm (EL560, EL561)
24, 28 mm (EL460, EL461)

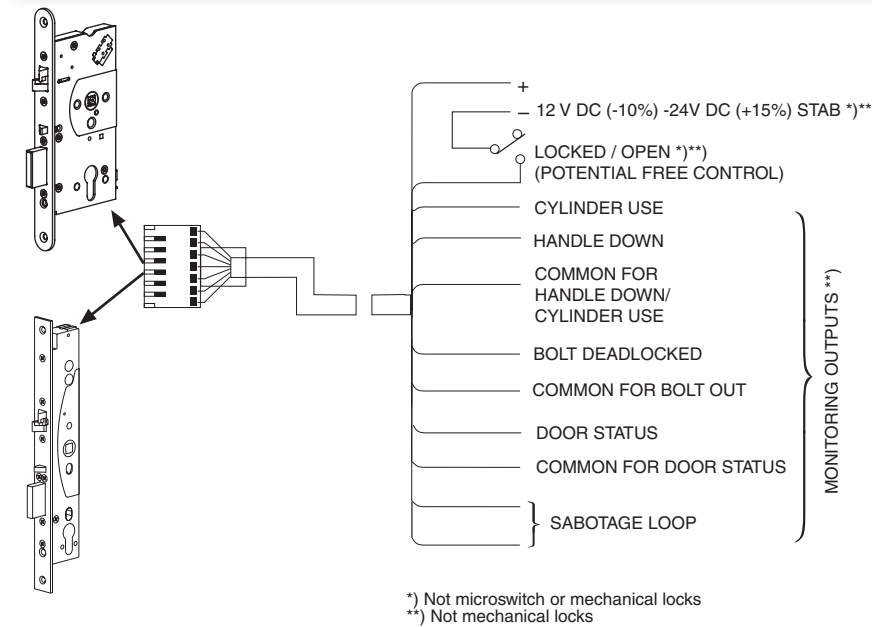
Spindle: 9 mm (8 mm with spindle adapters)

Settable functions: Mechanical functions:
- Handing of trigger bolt
- Electrically controlled side (EL560, EL460)

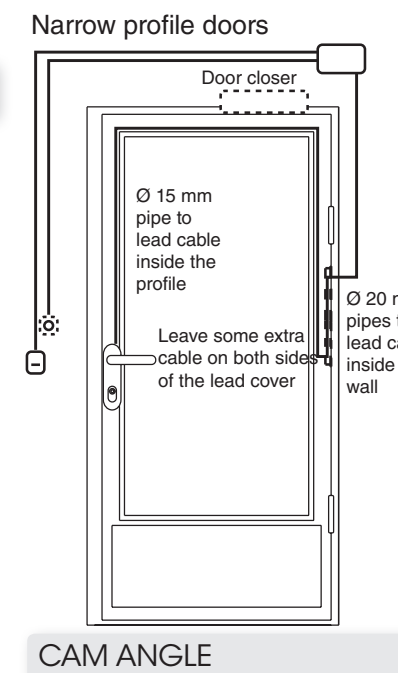
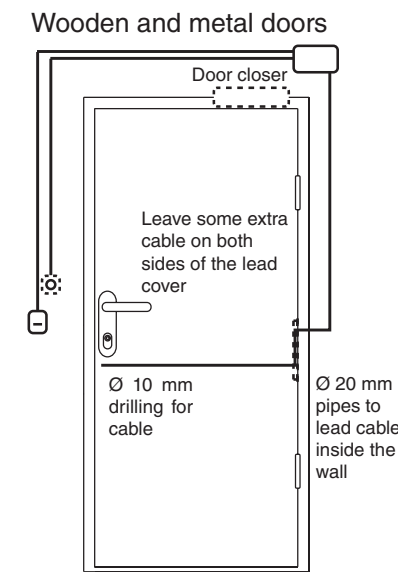
Electrical function:
- Fail locked / Fail unlocked

Monitoring outputs: Bolt deadlocked
Door status
Handle used
Cylinder used
Cable sabotage

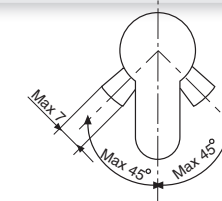
CONTROL PRINCIPLE AND AVAILABLE MONITORING OUTPUTS



DOOR ENVIRONMENT



CAM ANGLE



CYLINDERS, FITTINGS AND ACCESSORIES (Please order separately)

	EUROPROFILE DIN CYLINDER		FITTINGS	SPLIT SPINDLES	CABLES	LEAD COVERS	STRIKE PLATES
	ABLOY NOVEL	ABLOY PROTEC ²					
Single	CY321U CY331U	CY321T CY331T	ABLOY®*) IKON Ruko BEZAULT others	EA288 (8mm) EA289 (9mm)	EA218 (6m) EA219 (10m) EA232 (20m)	EA280 EA281	EA321**)*) EA322 EA323**)*) EA324 EA325 EA326 EA327 EA328 EA329 EA330 EA331 EA332**)*)
Double	CY322U CY332U	CY321T CY331T					
Single with thumbturn	CY323U CY333U	CY323T CY333T					

*) For further information, please contact Abloy Oy Architectural hardware.
**) Handing must be defined.

STRIKE PLATES

