

ABLOY® EL404
ELECTROMECHANICAL LOCK FOR
NARROW STILE DOORS
EUROPROFILE DIN RANGE



ABLOY® EL404 lock case with double action bolt features an innovative adjustable backset technique.

TECHNICAL DETAILS

Operating voltage	12-24 VDC (-10%/+15%, stab.)
Current consumption	max 550 mA (12 VDC) idle 240 mA (12 VDC) max 270 mA (24 VDC) idle 110mA (24 VDC)
Temperature range	-20°C...+60°C
Bolt throw	14,5 mm
Adjustable backset	25, 30, 35 mm
Forend	25 mm

FINISH

Chrome plated forend

CYLINDERS

- Europrofile DIN type;
ABLOY® NOVEL, **ABLOY® PROTEC²**
ASSA, RUKO, TrioVing or other.

PACKAGE

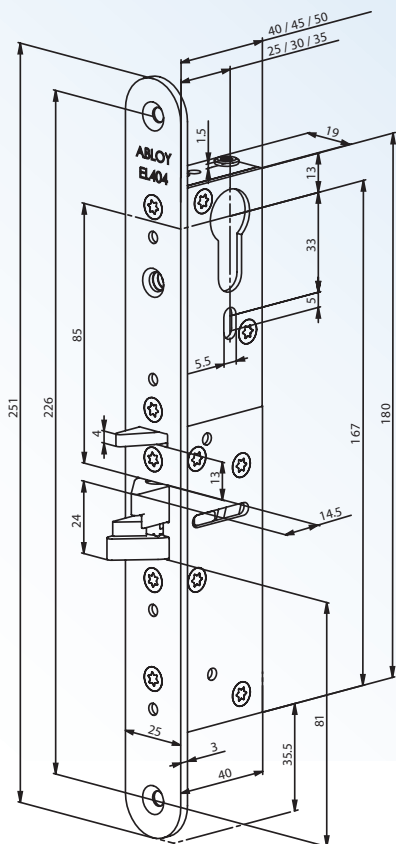
Lock case, strike plate EA307, connection plugs, fixing screws, lock case manual

STANDARDS

EN 61000-6-3	EMC
EN 61000-6-1	EMC
EN12209	Mechanical resistance
EN14846	Electric locks

Abloy lock cases are always tested according to the latest versions of the standards.

DIMENSIONS



APPLICATION

ABLOY® EL404 is typically used in exterior doors of apartment buildings and interior doors of business premises.

The lock has a double action bolt construction for durable and easy use and it offers a cost-effective way of electric locking that is highly advantageous in comparison to e.g. electric strike.

ABLOY® EL404 can be controlled by a variety of control devices such as card reader, keypad or timer. The lock can be connected to automatic swing door operator and is an excellent solution for use with access control system. Frame mounting above the door is also possible.

Because of its unique symmetrical trigger bolt **ABLOY® EL404** can be used in swinging doors.

The locks cannot be used in fire rated doors.

FUNCTION

Door can be opened by pushing or pulling when electric control is switched on.

ABLOY® EL404 can be configured to operate also fail unlocked, then the door can be opened by pushing or pulling when the electric control is switched off.

Lock can always be opened by key or by thumbturn and the lock deadlocks automatically when the door closes.

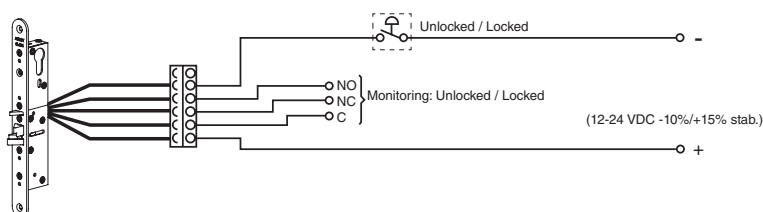
Functional features

- Adjustable backset
- Non-handed, symmetrical trigger bolt
- Immediate release of deadlocking
- Configurable fail locked / fail unlocked
- Wide operating voltage

ABLOY® EL404 is not recommended for use in doors with seal force.

In swinging doors the lock may be locked only when the door has completely stopped in the closed -position.

WIRING PRINCIPLE



CYLINDERS AND ACCESSORIES (Please order separately)

	ABLOY® NOVEL	ABLOY® PROTEC ²	STRIKE PLATES	CABLES	LEAD COVERS
Single	CY321U CY326U	CY321T CY326T	EA308 4613 4614	EA211 (6 m) EA221 (10 m)	EA280 EA281
Double	CY322U CY327U	CY322T CY327T	For swinging doors EA311		
Single w/ thumbturn	CY323U	CY323T			

This document may not be used in the installation of a lock. Drilling and wiring diagrams and installation instructions are included in the lock case manual, which is included in each lock case package.

We reserve the right to make alterations to the products described in this leaflet.



www.abloy.com

Abloy Oy
Wahlforssinkatu 20
P.O.Box 108
FI-80101 JOENSUU
FINLAND
Tel. +358 20 599 2501
Fax +358 20 599 2209



An ASSA ABLOY Group brand

Abloy Oy is one of the leading manufacturers of locks, locking systems and architectural hardware and the world's leading developer of products in the field of electromechanical locking technology.

ASSA ABLOY is the global leader in door opening solutions, dedicated to satisfying end-user needs for security, safety and convenience.

ASSA ABLOY